



US00D591476S

(12) **United States Design Patent**  
**Colman et al.**

(10) **Patent No.:** **US D591,476 S**

(45) **Date of Patent:** **\*\* May 5, 2009**

(54) **CHEWING GUM**

(75) Inventors: **Arne Benjamin Colman**, Newark (GB);  
**Christopher Raymond Eagleton**,  
Prestwood (GB); **Marc Paul Lorenzi**,  
Egham (GB); **Matthew John Masters**,  
Ottershaw (GB)

D468,861 S \* 1/2003 Kosub ..... D28/8.1  
D474,857 S \* 5/2003 McLeish ..... D28/8.1  
D535,741 S \* 1/2007 Stawski et al. .... D24/101  
D556,946 S \* 12/2007 Seum et al. .... D28/8.1  
D556,947 S \* 12/2007 Seum et al. .... D28/8.1  
D578,729 S \* 10/2008 Lee et al. .... D1/127  
D580,547 S \* 11/2008 Lolis et al. .... D24/101

(73) Assignee: **The Procter & Gamble Company**,  
Cincinnati, OH (US)

FOREIGN PATENT DOCUMENTS

DE 0M9805618.0005 6/1998

(\*\*) Term: **14 Years**

(Continued)

(21) Appl. No.: **29/301,056**

OTHER PUBLICATIONS

<http://www.chiclemascaramelo.com/>.

(22) Filed: **Feb. 7, 2008**

*Primary Examiner*—Cathron C Brooks

*Assistant Examiner*—Barbara Fox

(51) **LOC (9) Cl.** ..... **01-01**

(52) **U.S. Cl.** ..... **D1/106**

(58) **Field of Classification Search** ..... D1/100-101,  
D1/104, 106, 121, 125, 127-128, 199; D21/386;  
D24/101, 104; D28/8.1; 426/76, 87, 103,  
426/104, 122, 144, 660, 512, 515, 383  
See application file for complete search history.

(74) *Attorney, Agent, or Firm*—Cynthia L. Clay; Kelly L.  
McDow; Karen F. Clark

(57) **CLAIM**

The ornamental design for a chewing gum, as shown and  
described

(56) **References Cited**

**DESCRIPTION**

U.S. PATENT DOCUMENTS

D250,880 S \* 1/1979 Stone et al. .... D9/707  
D269,712 S \* 7/1983 Tovey ..... D24/101  
D269,722 S \* 7/1983 Tovey ..... D24/101  
D269,723 S \* 7/1983 Tovey ..... D24/101  
D286,085 S \* 10/1986 Tovey ..... D24/101  
D316,760 S \* 5/1991 Golden et al. .... D28/4  
D365,875 S \* 1/1996 Bradbury et al. .... D24/101  
D405,879 S \* 2/1999 Leonard ..... D24/101  
D437,671 S \* 2/2001 Fajerstein ..... D1/106  
D444,914 S \* 7/2001 Friesenhahn ..... D28/8.1  
D465,303 S \* 11/2002 Friesenhahn ..... D28/8.1

FIG. 1 is a front perspective view of a chewing gum showing  
our new design;

FIG. 2 is a front elevational view thereof;

FIG. 3 is a rear elevational view thereof;

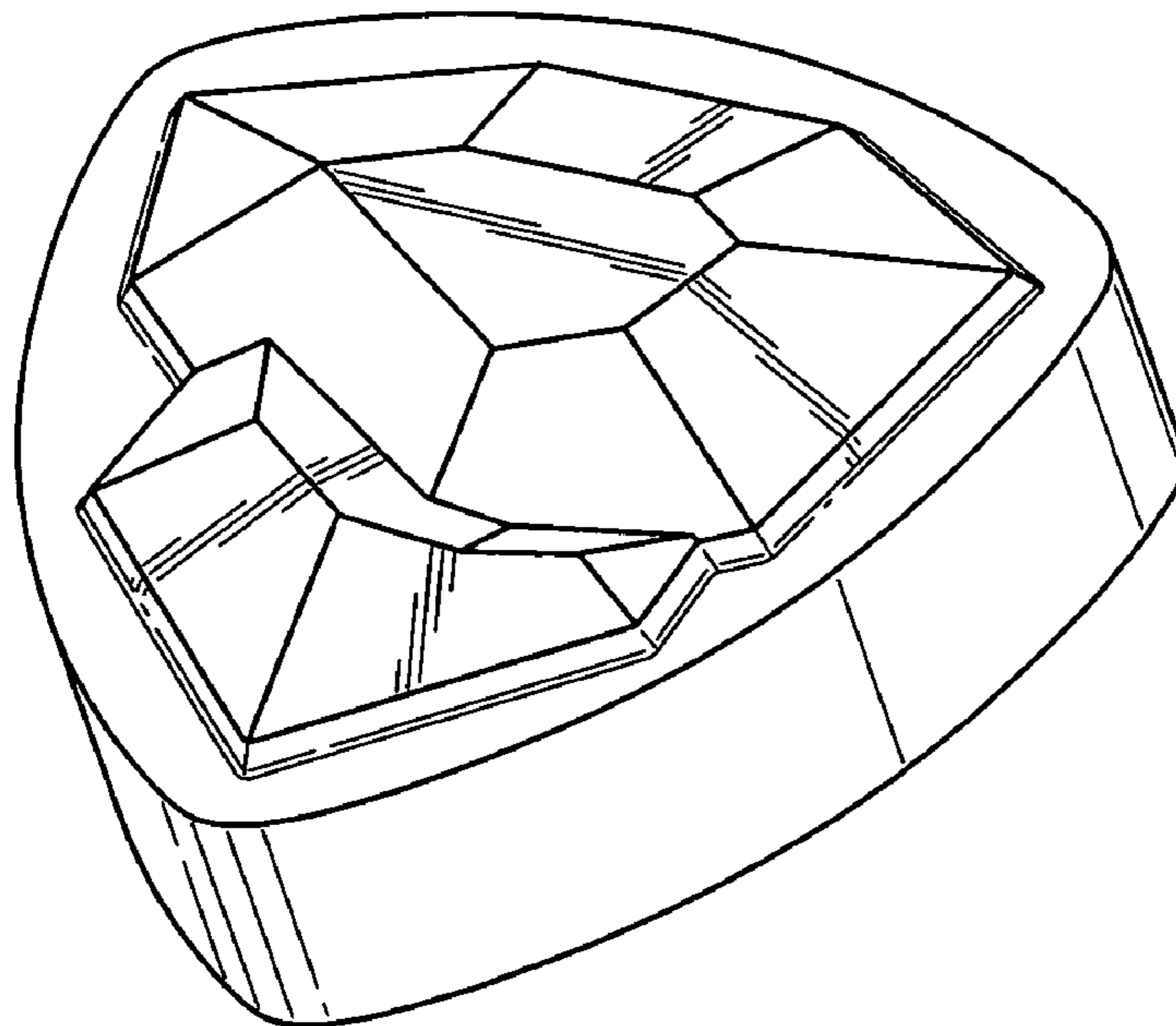
FIG. 4 is a left side elevational view thereof;

FIG. 5 is a right side elevational view thereof;

FIG. 6 is a top plan view thereof; and,

FIG. 7 is a bottom plan view thereof.

**1 Claim, 3 Drawing Sheets**



# US D591,476 S

Page 2

---

FOREIGN PATENT DOCUMENTS					
			EM	000658927.0011	1/2007
			EM	000658927.0012	1/2007
			EM	000658927.0013	1/2007
			EM	000658927.0015	1/2007
			EM	000658927.0017	1/2007
			EM	000658927.0019	1/2007
			EM	000658927.0020	1/2007
			ES	000504914.0003	5/2007
			GB	002072288	11/2000
			GB	002097168	11/2000
			WO WO	00/0029732.0001	7/1993
			WO WO	00/0060271.0001	3/2002
			* cited by examiner		
DE	0M9805618.0006	6/1998			
DE	0M9805618.0008	6/1998			
DE	0M9805618.0009	6/1998			
EM	000421888.004	10/2005			
EM	000658297.0006	1/2007			
EM	000658927.0002	1/2007			
EM	000658927.0003	1/2007			
EM	000658927.0005	1/2007			
EM	000658927.0007	1/2007			
EM	000658927.0008	1/2007			
EM	000658927.0009	1/2007			
EM	000658927.0010	1/2007			

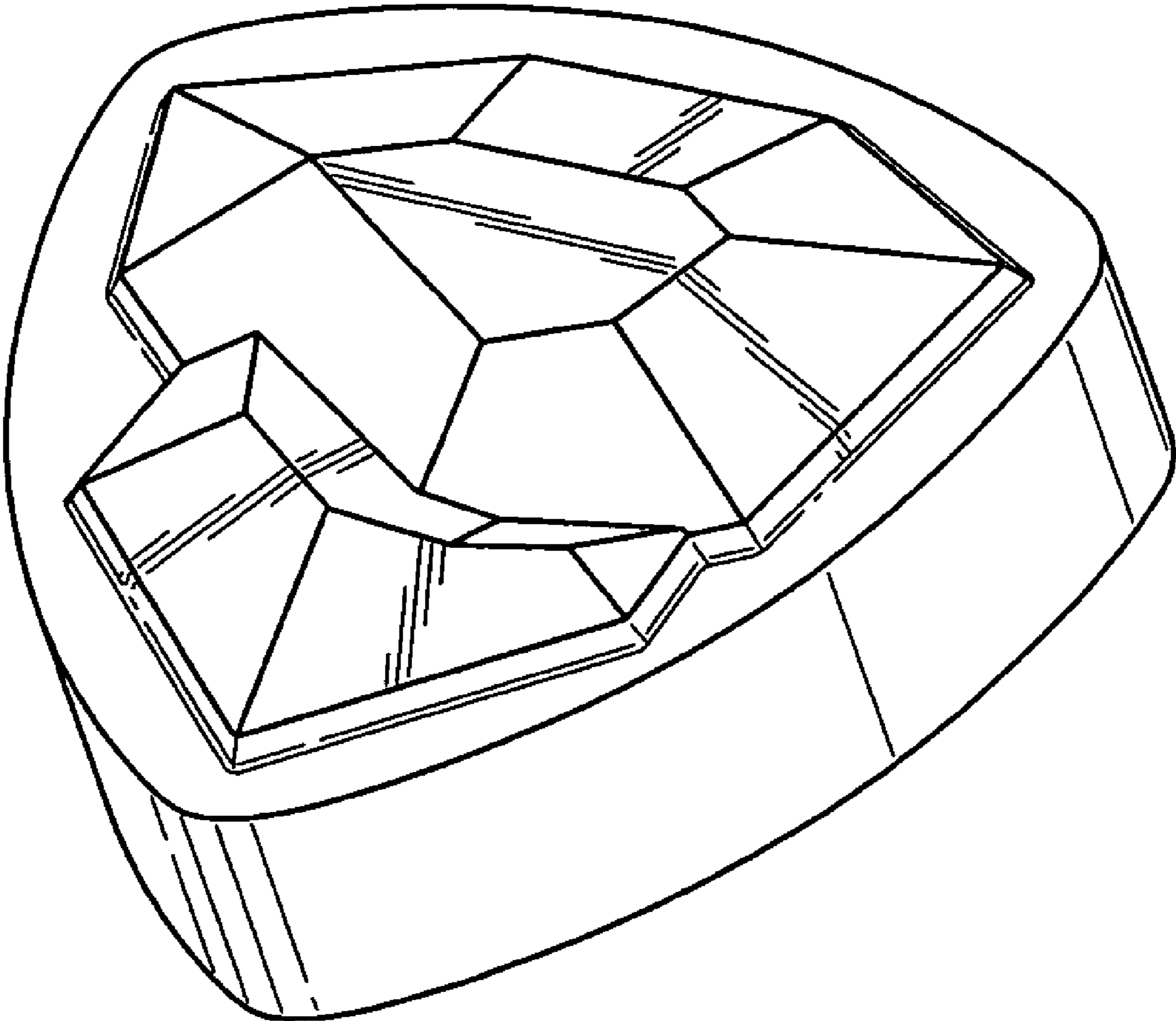


Fig. 1.

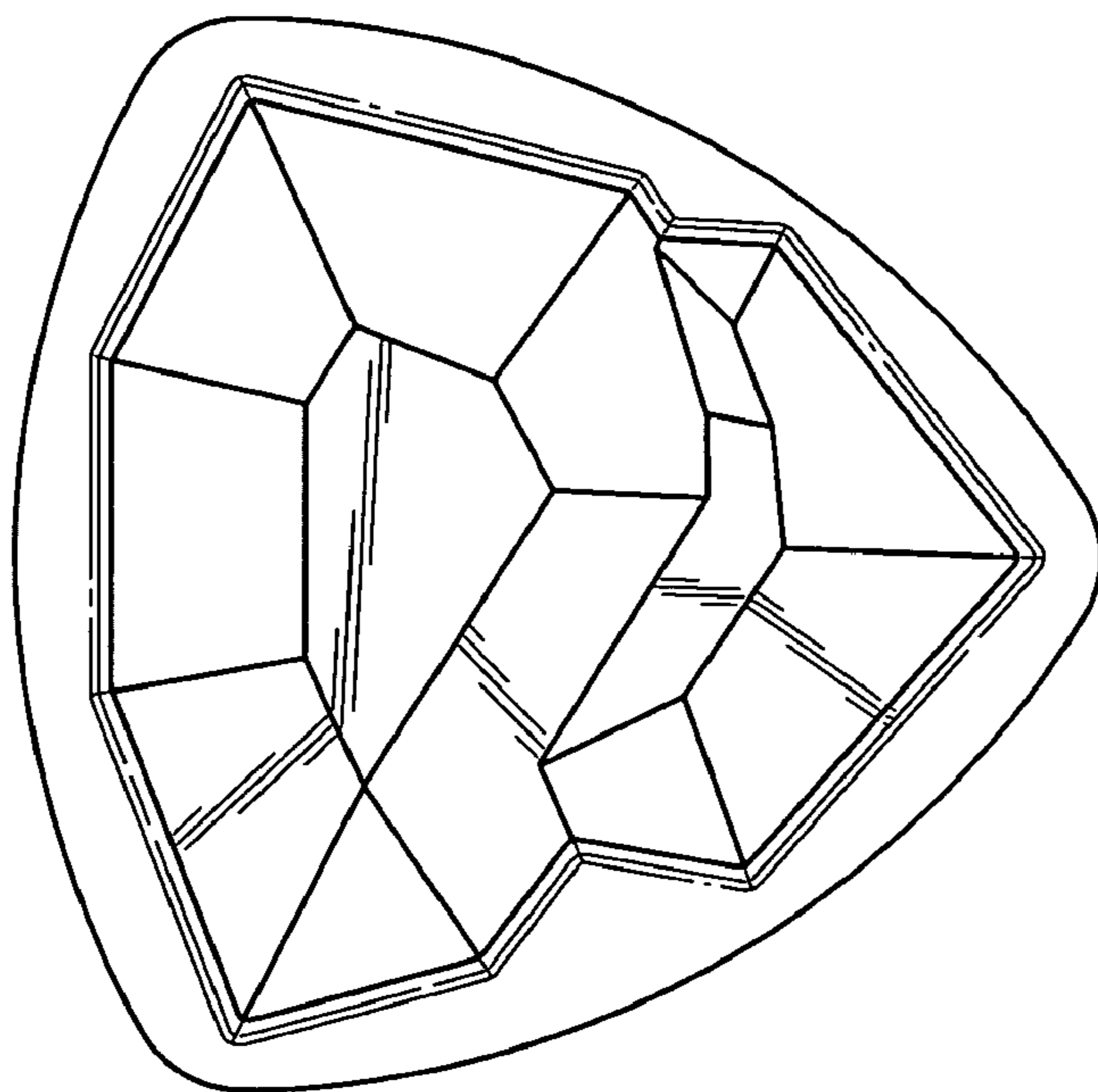


Fig.2.

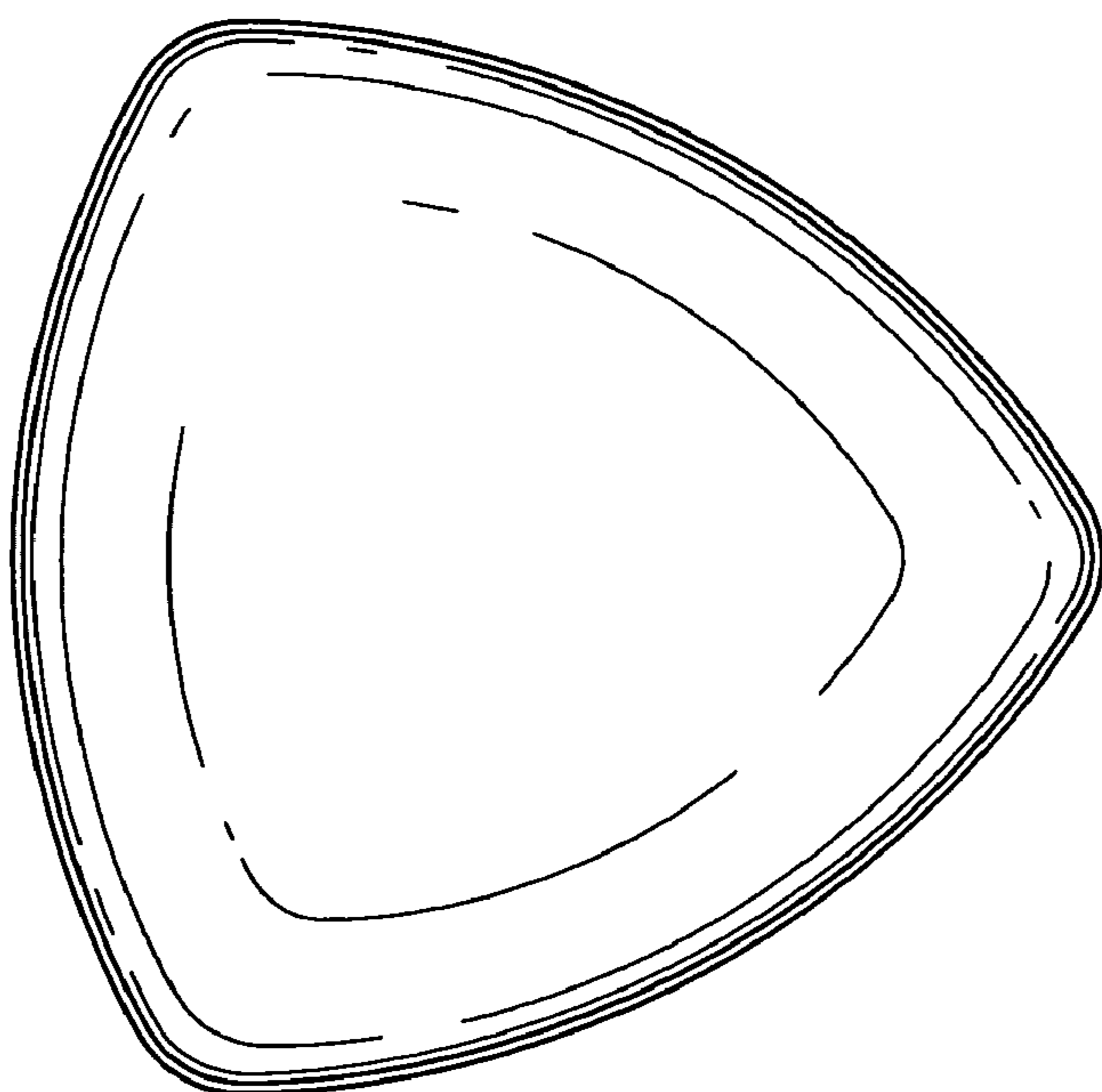


Fig.3.

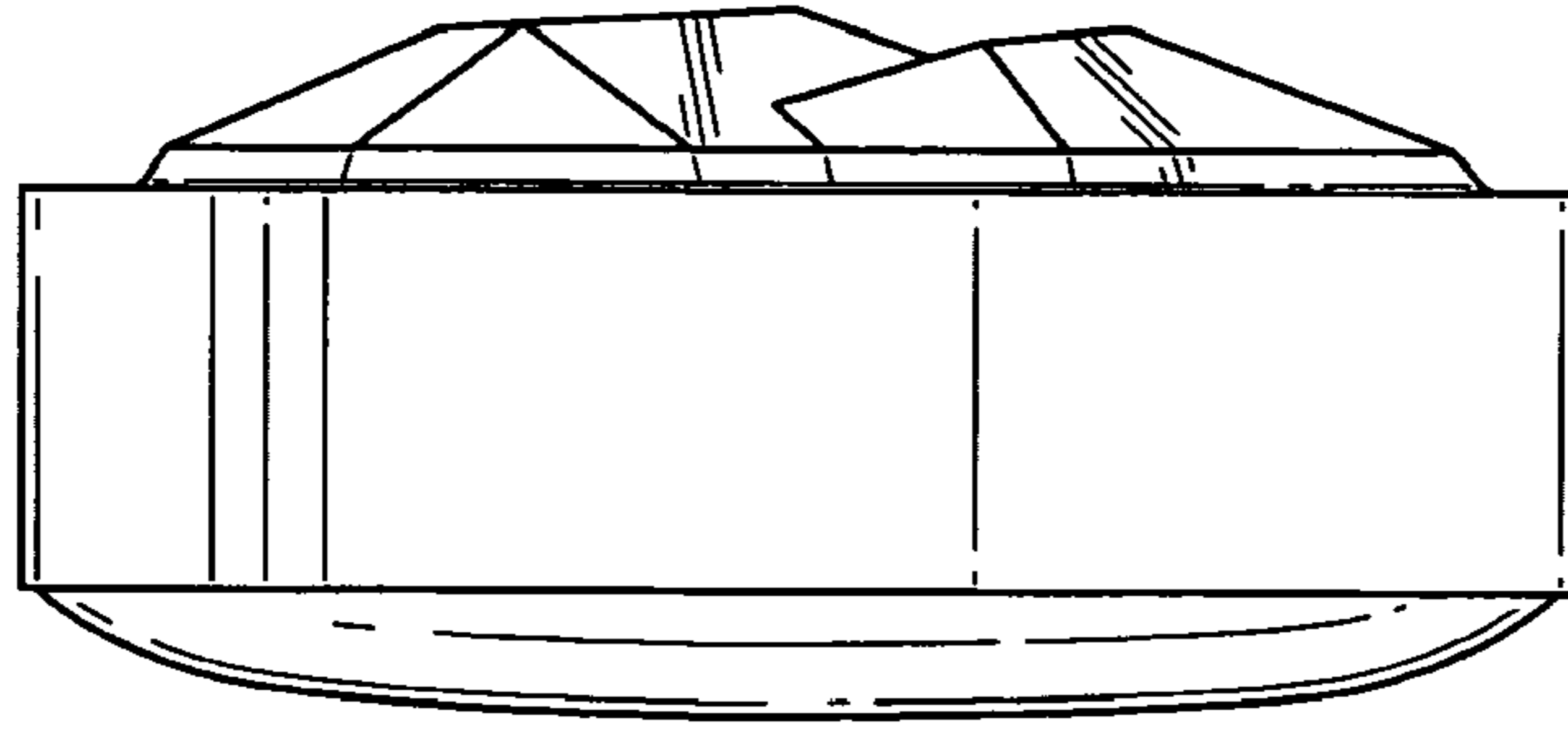


Fig.4.

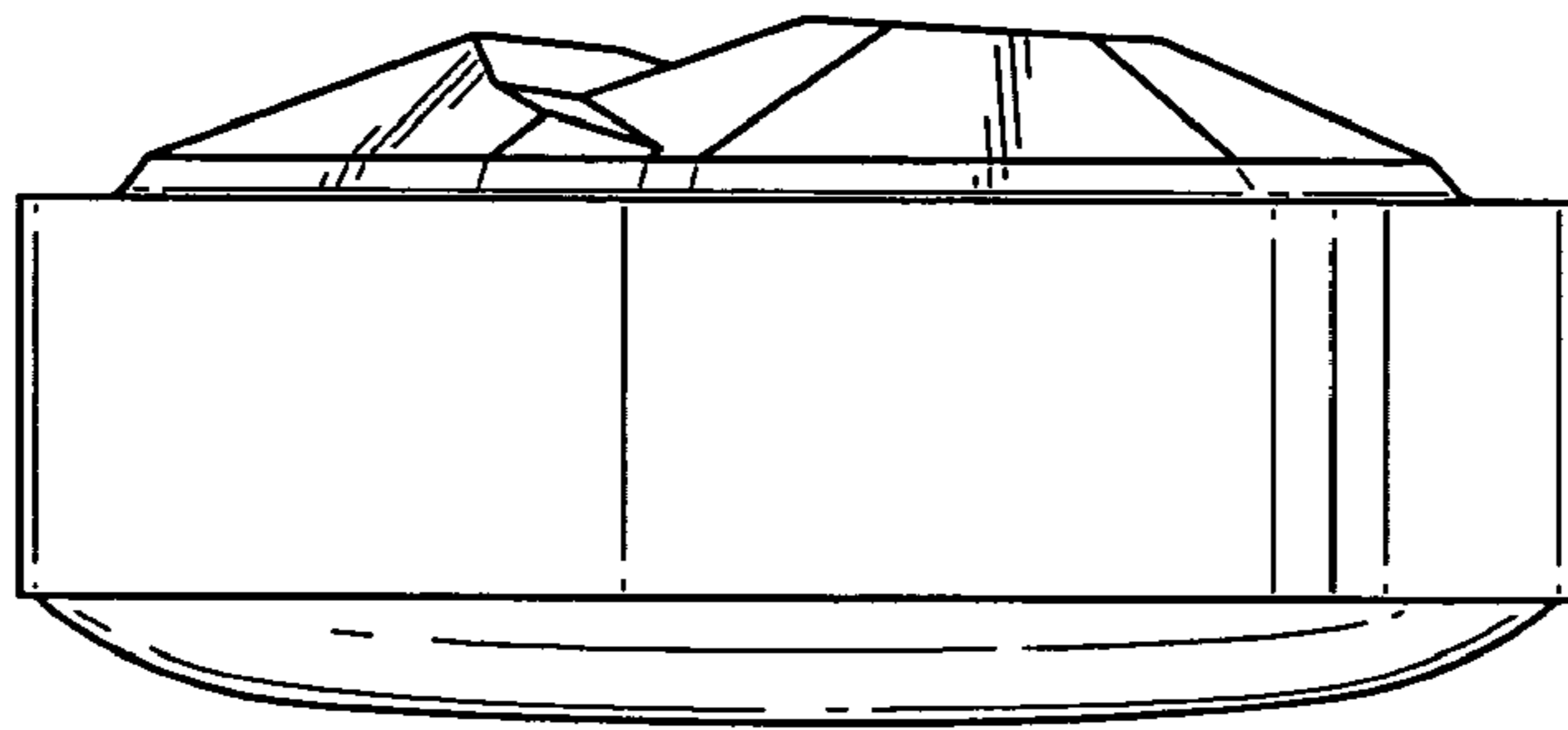


Fig.5.

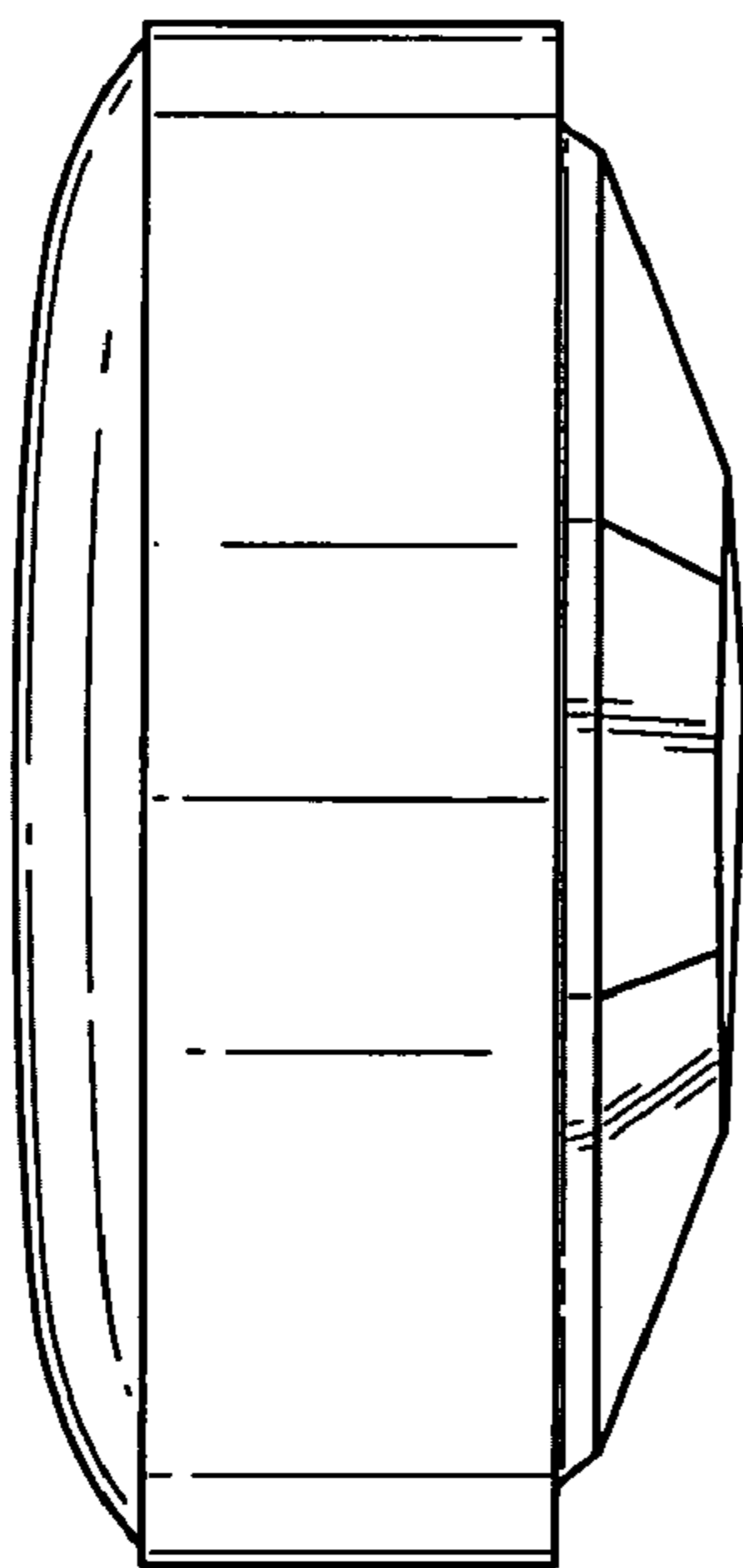


Fig.6.

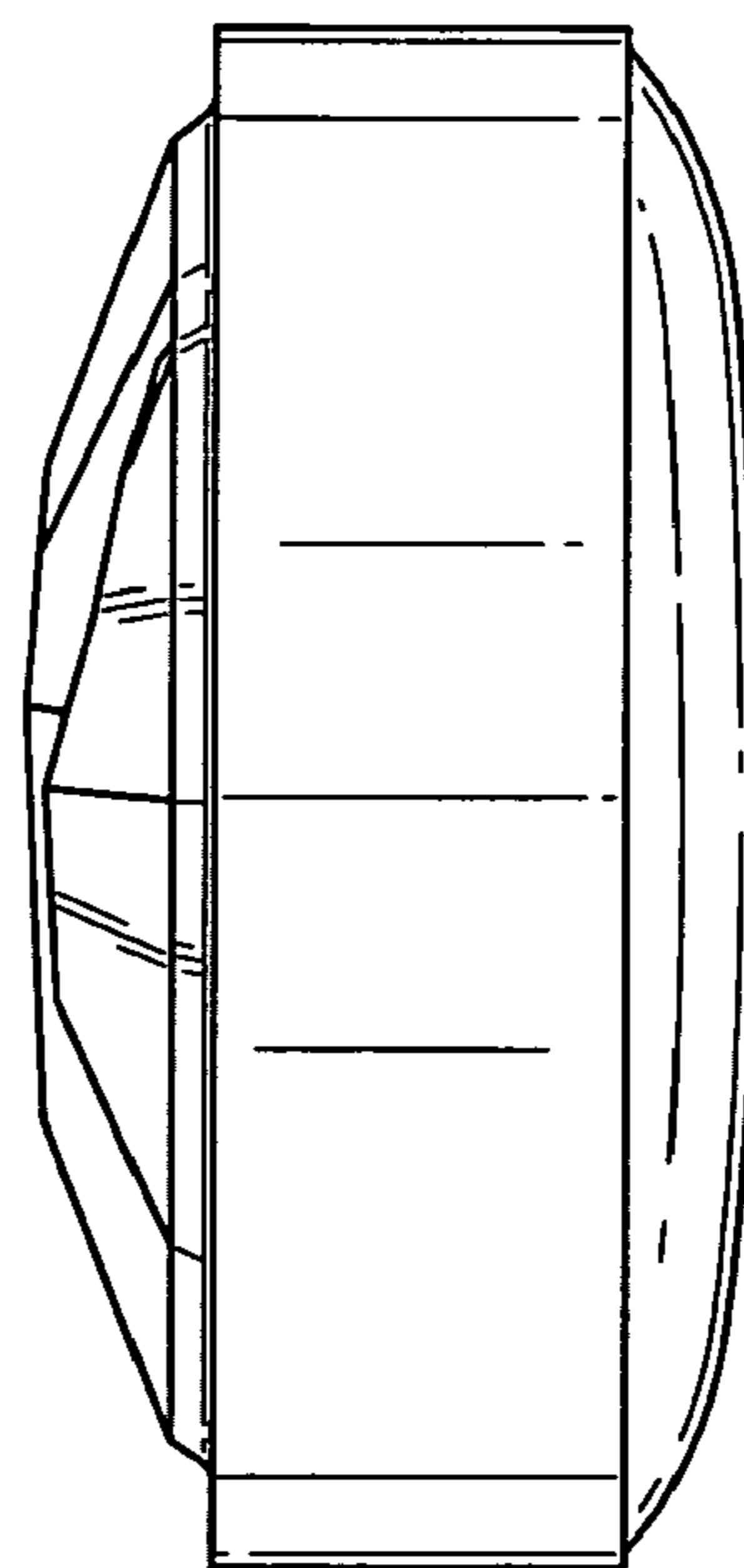


Fig.7.