



US00D591473S

(12) **United States Design Patent**  
**Tuncel**

(10) **Patent No.:** **US D591,473 S**  
(45) **Date of Patent:** **\*\* Apr. 28, 2009**

(54) **BELLMAN'S CART**  
(75) Inventor: **Levent Tuncel**, Atlanta, GA (US)  
(73) Assignee: **Levent Industries, Inc**, Atlanta, GA (US)  
(\*\*) Term: **14 Years**  
(21) Appl. No.: **29/320,368**  
(22) Filed: **Jun. 25, 2008**

D341,690 S 11/1993 Putman et al.  
D366,745 S \* 1/1996 Kern et al. .... D34/17  
D470,332 S \* 2/2003 Clucas et al. .... D6/410  
D518,269 S 3/2006 Henshaw et al.  
D550,919 S \* 9/2007 Tuncel ..... D34/17  
D550,920 S \* 9/2007 Tuncel ..... D34/17

\* cited by examiner

*Primary Examiner*—Cynthia E Ramirez  
(74) *Attorney, Agent, or Firm*—George Ronald Reardon

(51) **LOC (9) Cl.** ..... **12-02**  
(52) **U.S. Cl.** ..... **D34/17**  
(58) **Field of Classification Search** ..... D34/12-27;  
280/793, 33.998, 47.34, 47.35, 47.36; D6/475,  
D6/410; 211/204  
See application file for complete search history.

(57) **CLAIM**

The ornamental design for a bellman's cart, as shown.

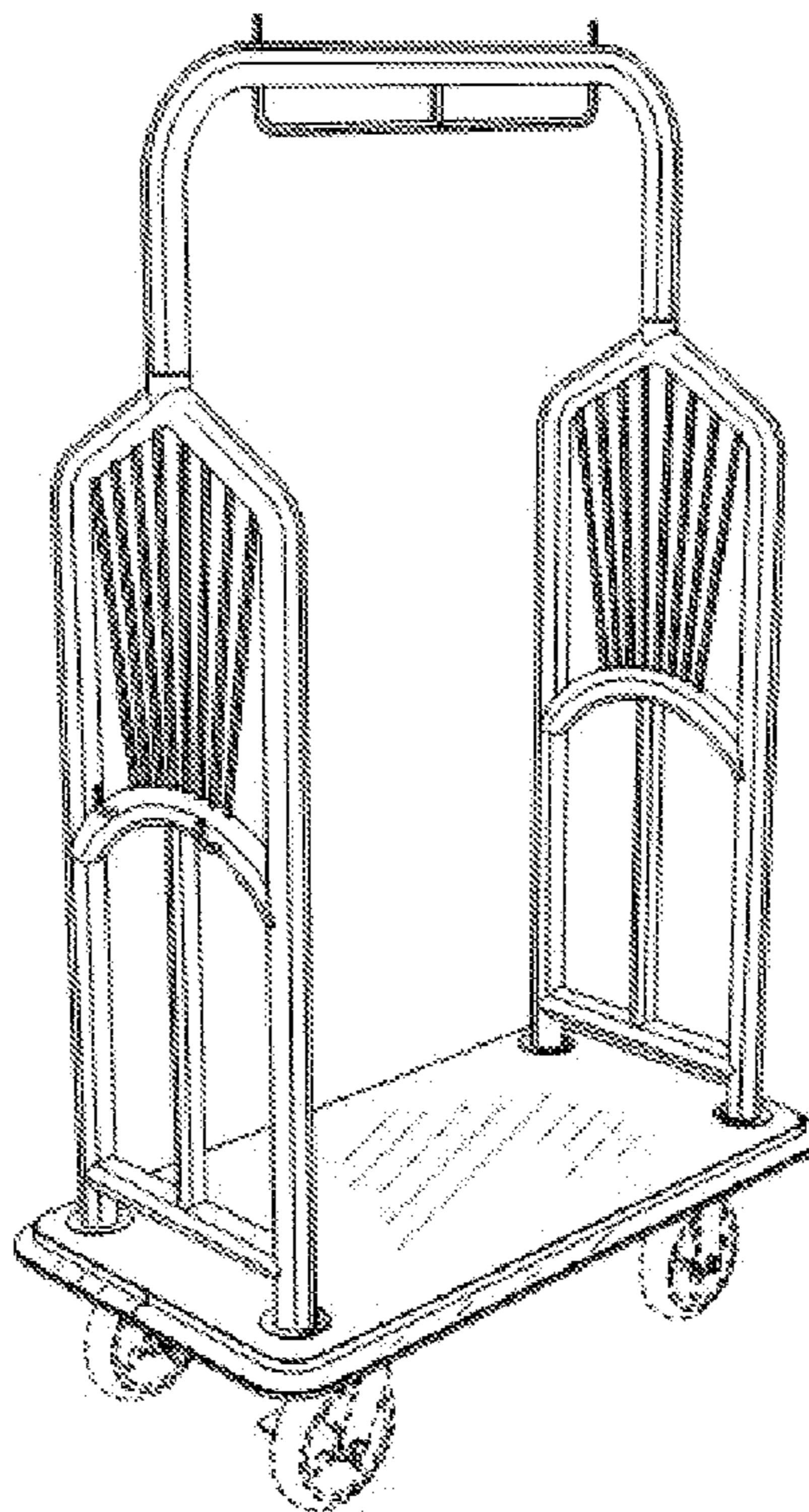
**DESCRIPTION**

A portable cart used for transporting luggage and the like.  
FIG. 1 is a perspective view of a bellman's cart showing my new design;  
FIG. 2 is a left side elevational view thereof;  
FIG. 3 is a right side elevational view thereof;  
FIG. 4 is a rear elevational view thereof;  
FIG. 5 is a front elevational view thereof;  
FIG. 6 is a bottom plan view thereof; and,  
FIG. 7 is a top plan view thereof.

The broken line showing of the wheels and elements on the bottom of the cart is included for the purpose of illustrating environment and forms no part of the claimed design.

(56) **References Cited**  
U.S. PATENT DOCUMENTS  
1,832,271 A 11/1931 Williams  
D121,805 S 8/1940 Castgelli et al.  
D239,094 S 3/1976 Duffy  
D294,760 S 3/1988 Vanderdoes, Sr.  
D313,900 S \* 1/1991 Yau Kee ..... D6/410  
D323,049 S 1/1992 DeWitt  
D324,283 S 2/1992 DeWitt  
5,090,725 A \* 2/1992 Feldner ..... 280/651  
D329,727 S 9/1992 DeWitt  
5,190,305 A 3/1993 Putman  
D341,689 S 11/1993 Putman et al.

**1 Claim, 7 Drawing Sheets**



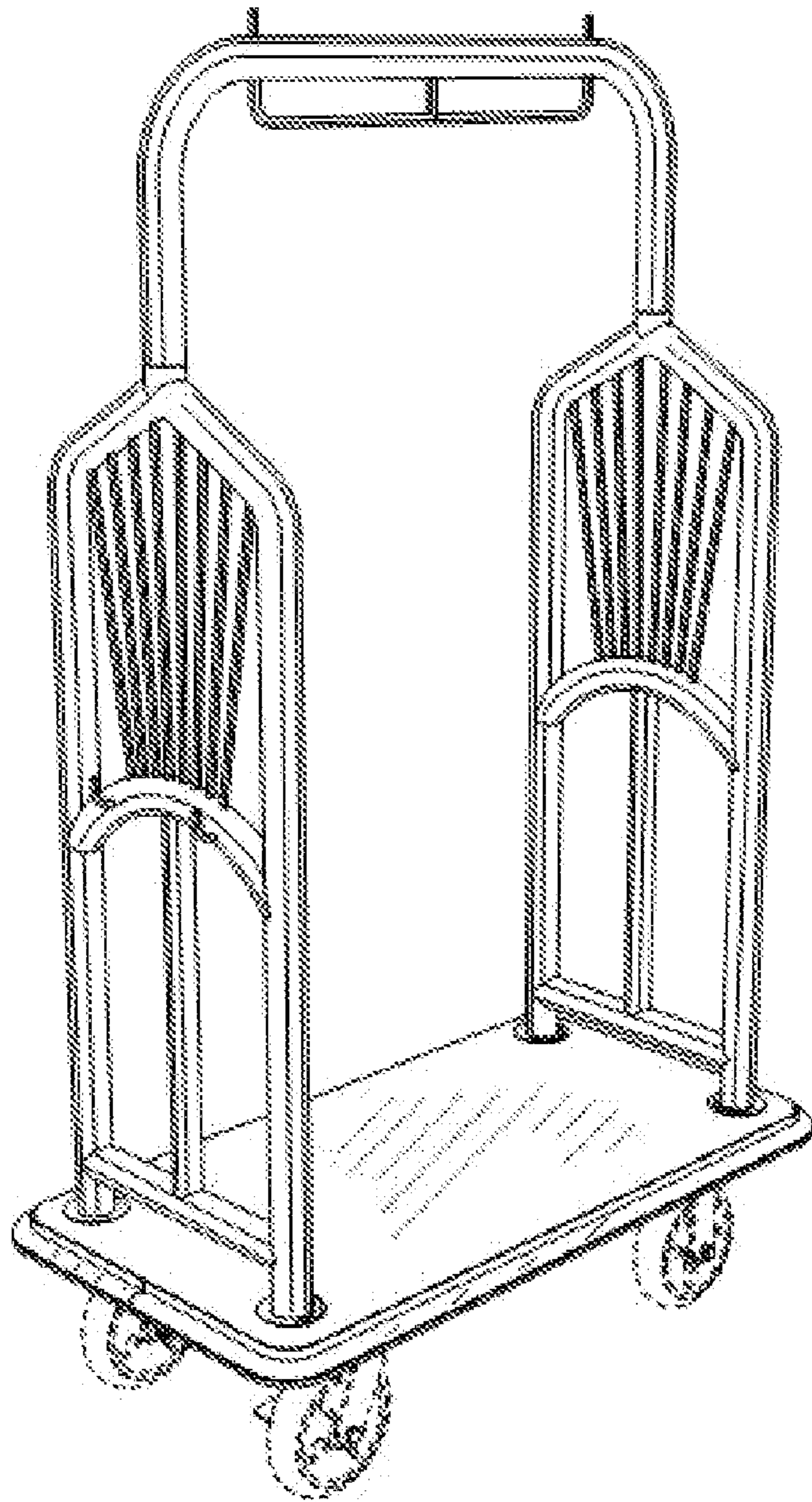


FIG. 1

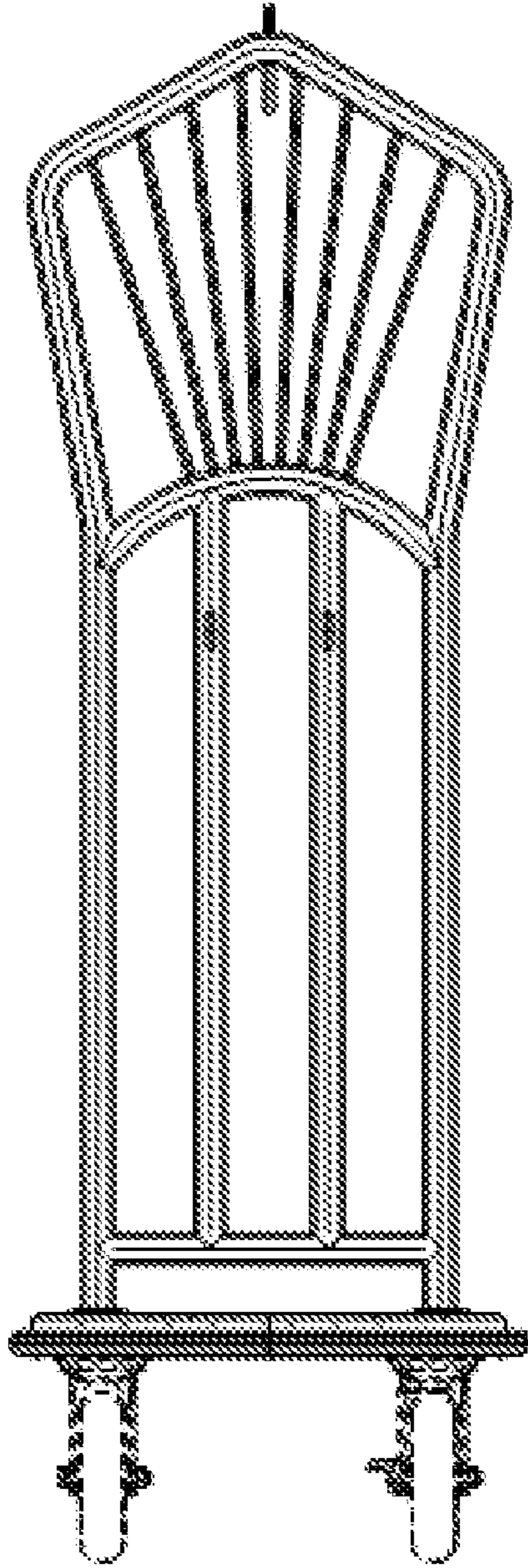


FIG. 2

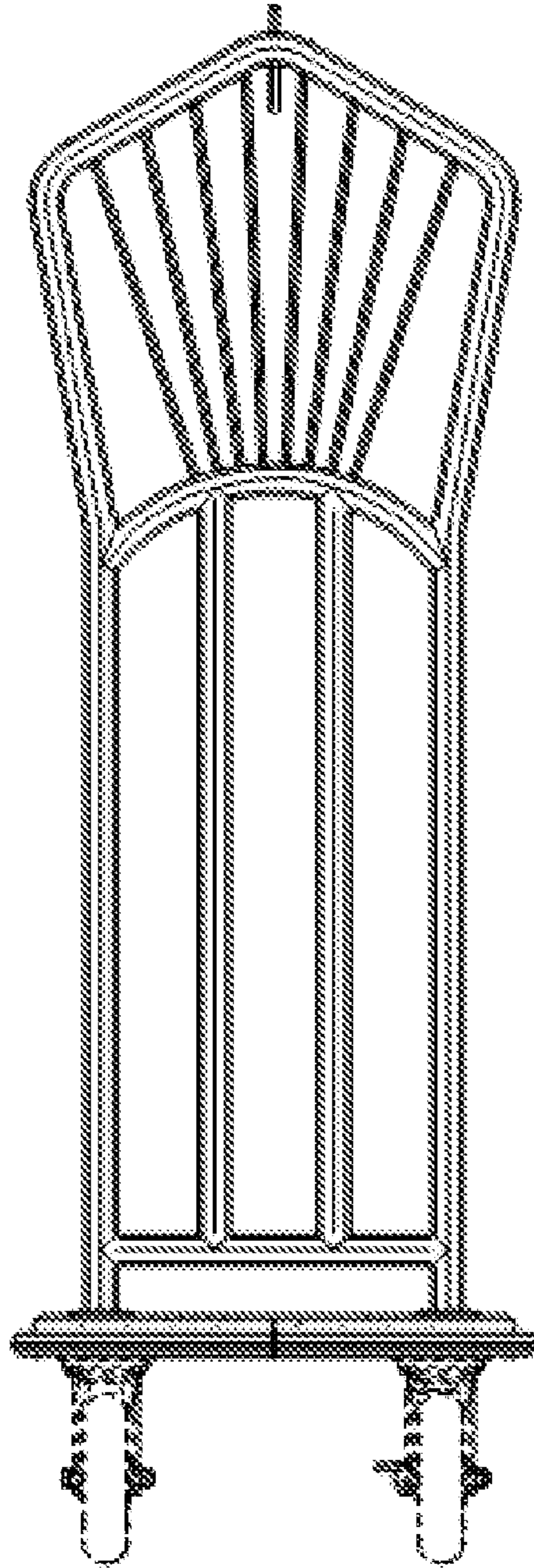


FIG. 3

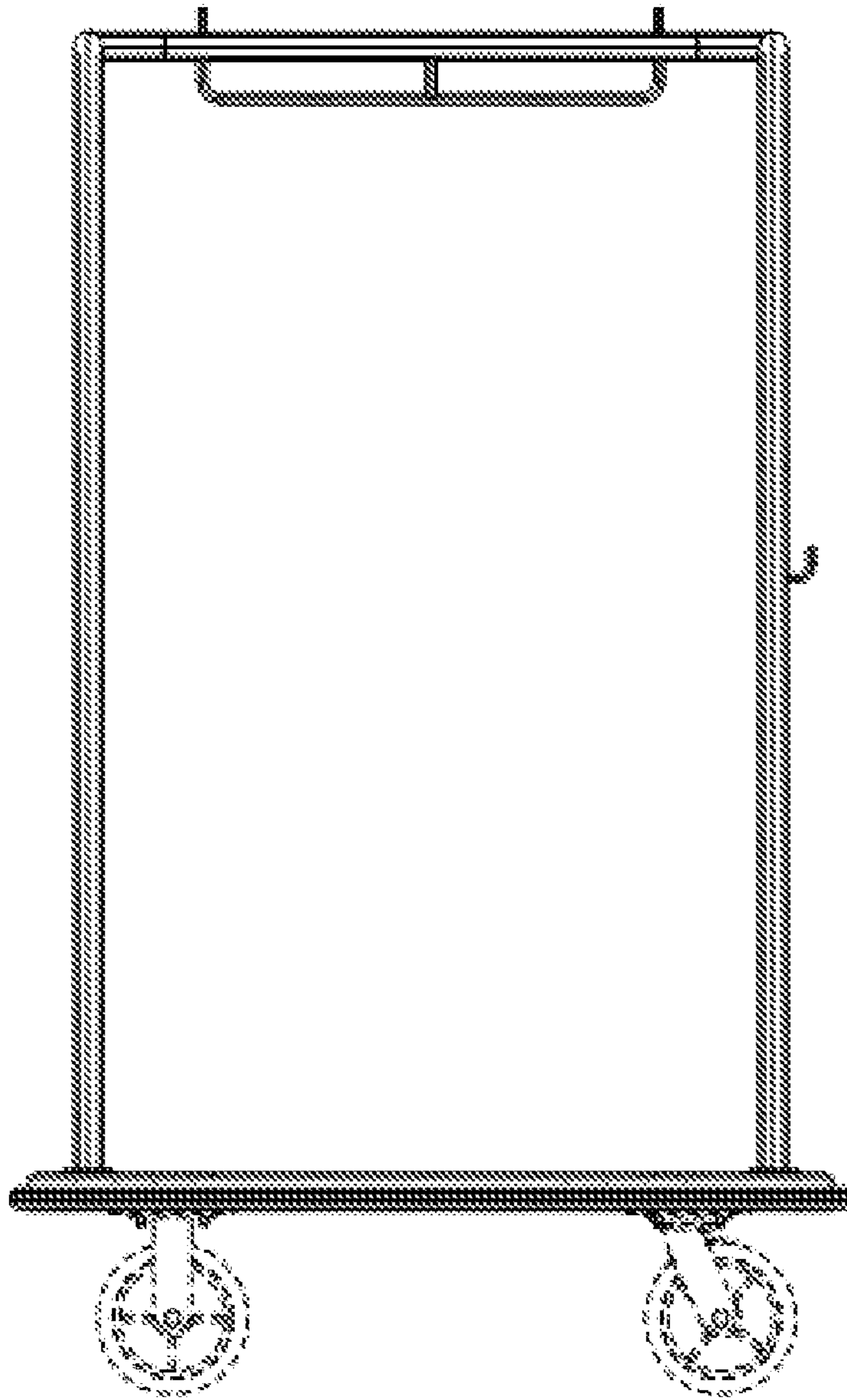


FIG. 4

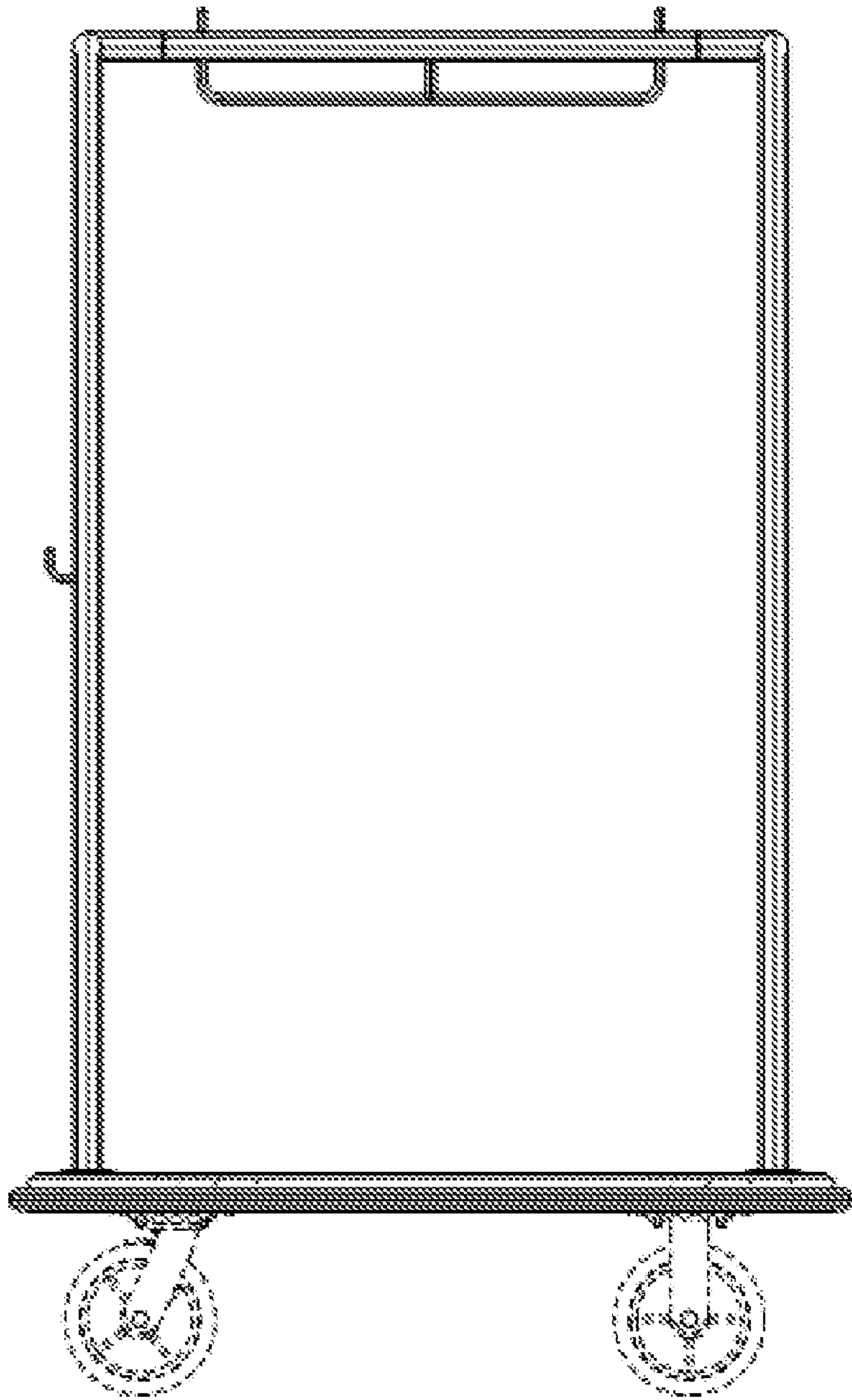


FIG. 5

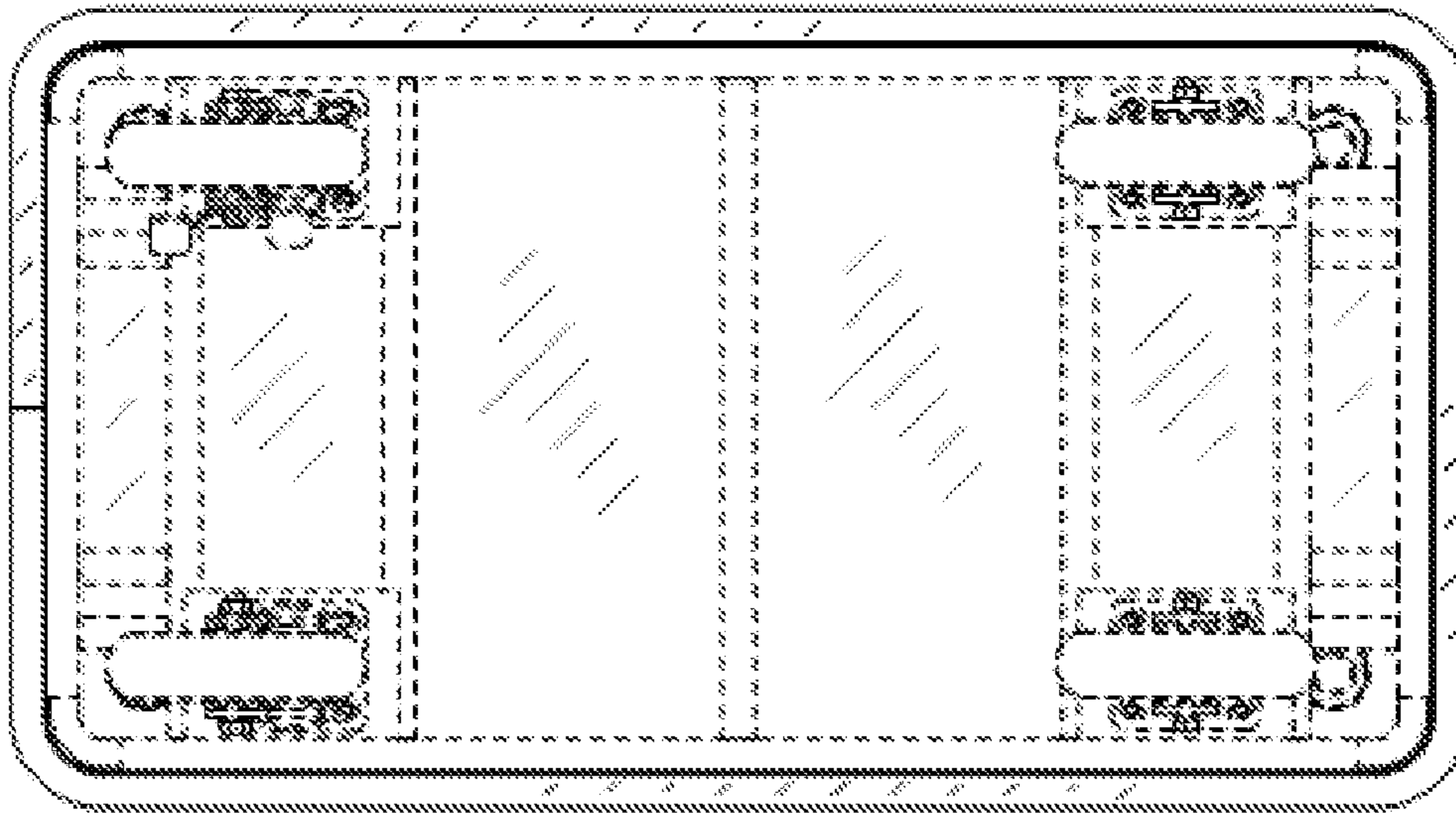


FIG. 6

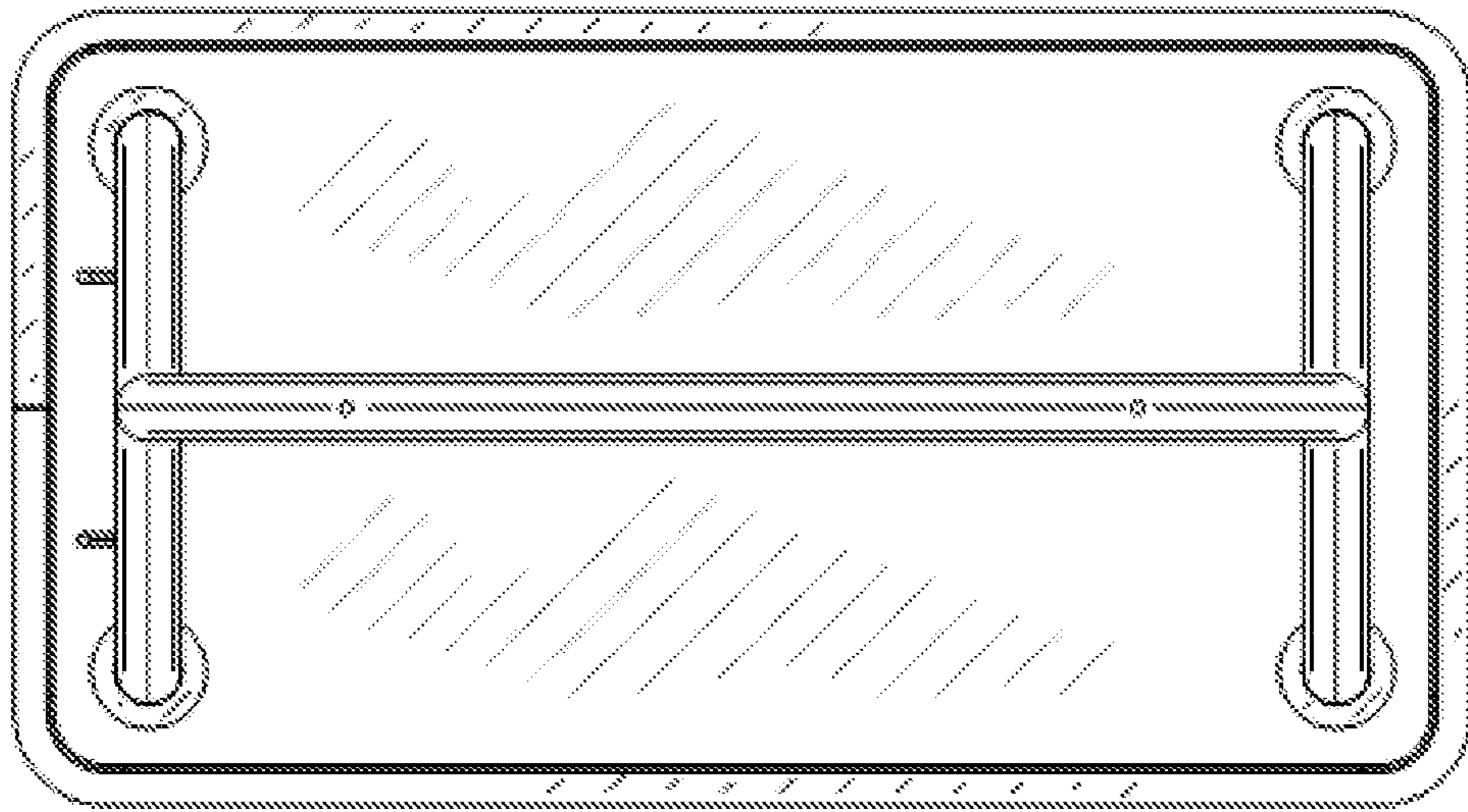


FIG. 7