

US00D591472S

(12) **United States Design Patent**
Zang Wentz Pho

(10) **Patent No.:** **US D591,472 S**

(45) **Date of Patent:** **** Apr. 28, 2009**

(54) **WASTE CONTAINER LID**

D511,603 S * 11/2005 Lin D34/11
D566,924 S * 4/2008 Shek D34/11

(75) Inventor: **Ashley Perry Zang Wentz Pho**,
Leesburg, VA (US)

* cited by examiner

(73) Assignee: **Rubbermaid Commercial Products, LLC**, Winchester, VA (US)

Primary Examiner—Cynthia E Ramirez

(74) *Attorney, Agent, or Firm*—Dennis J. Williamson; Moore & Van Allen, PLLC

(**) Term: **14 Years**

(57) **CLAIM**

(21) Appl. No.: **29/321,511**

The ornamental design for a waste container lid, as shown and described.

(22) Filed: **Jul. 17, 2008**

DESCRIPTION

(51) **LOC (9) Cl.** **09-09**

FIG. 1 is a perspective view of a waste container lid of our new design;

(52) **U.S. Cl.** **D34/11**

FIG. 2 is a front view showing our new design shown in FIG. 1;

(58) **Field of Classification Search** D34/1-11;
220/908-913, 252, 263, 200

FIG. 3 is a back view showing our new design shown in FIG. 1;

See application file for complete search history.

FIG. 4 is a top view showing our new design shown in FIG. 1;

(56) **References Cited**

U.S. PATENT DOCUMENTS

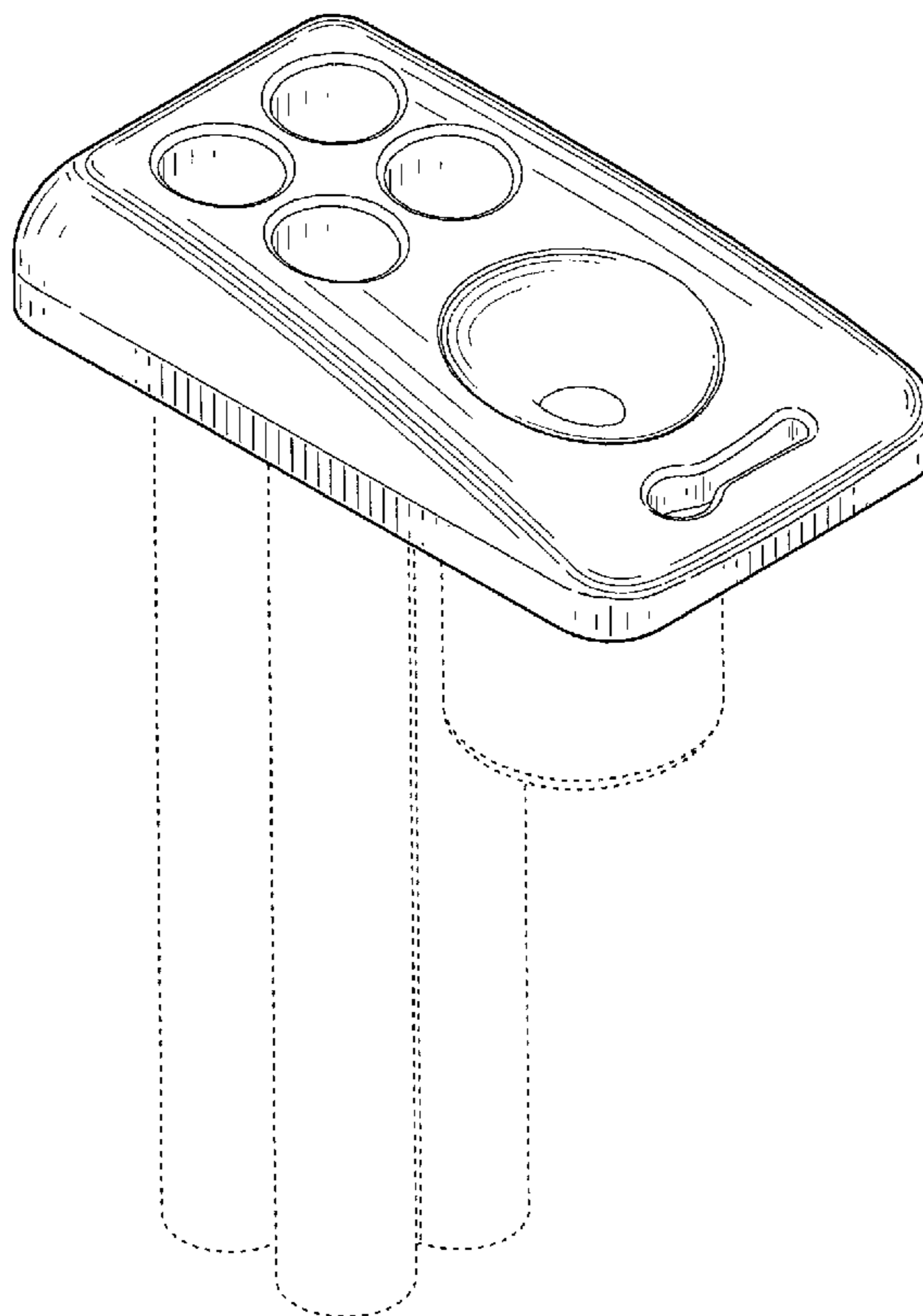
D196,333	S	*	9/1963	Hanson	D34/7
D292,037	S	*	9/1987	Hanifl	D34/7
4,697,771	A	*	10/1987	Majors	248/97
4,927,076	A	*	5/1990	Simpson	229/132
D323,227	S	*	1/1992	Rapaz	D34/10
5,165,563	A	*	11/1992	McKendry	220/254.8
5,201,417	A	*	4/1993	Outlaw, III	206/366
5,273,161	A	*	12/1993	Sagstetter	206/366
D481,509	S	*	10/2003	Perelli	D34/11
D482,834	S	*	11/2003	Bennett	D34/11

FIG. 5 is a bottom view showing our new design shown in FIG. 1; and,

FIG. 6 is a left side view showing our new design, the other side view being identical.

The broken line showing in the figures is included for the purpose of illustrating environment and forms no part of the claimed design.

1 Claim, 6 Drawing Sheets



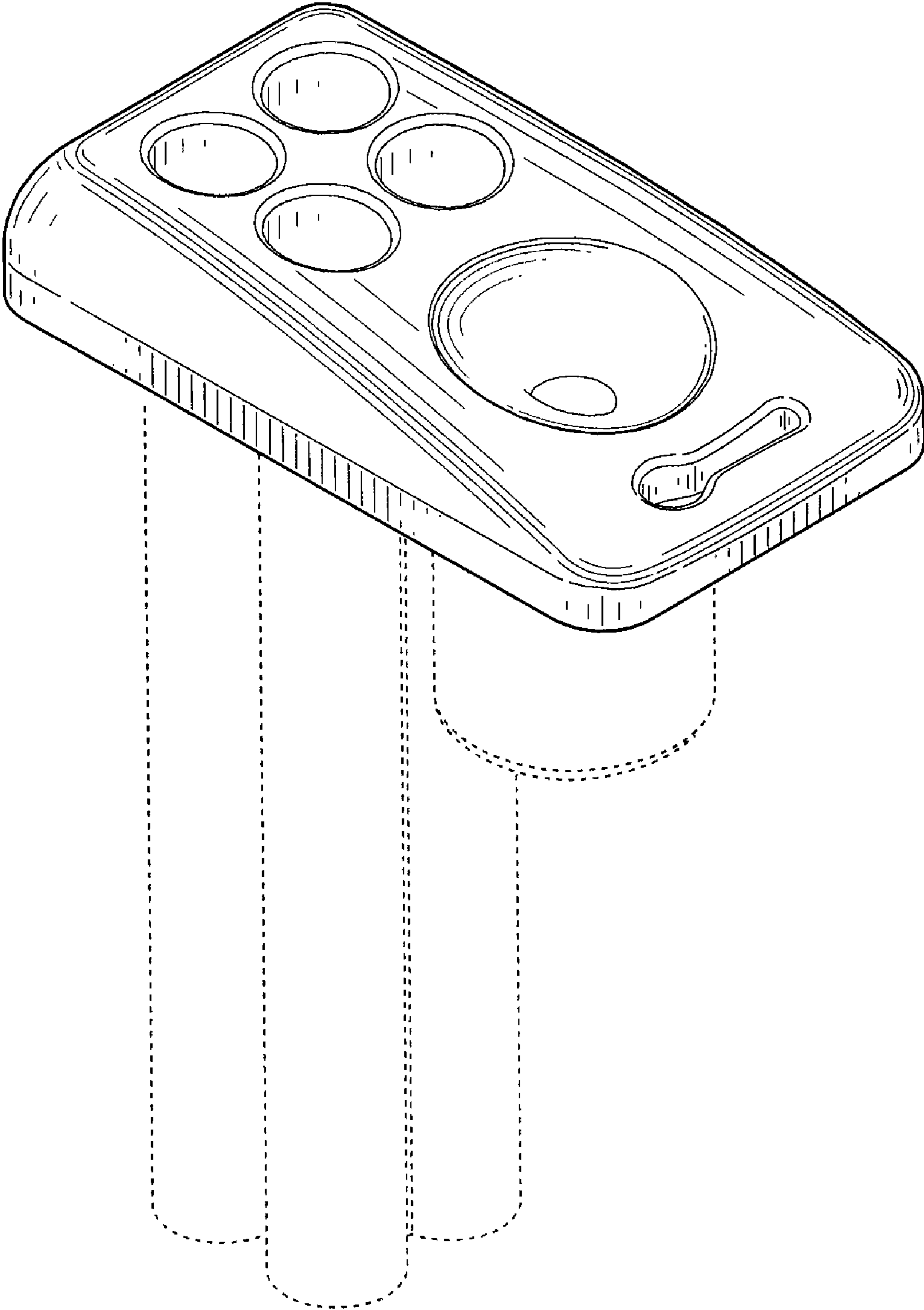


FIG. 1

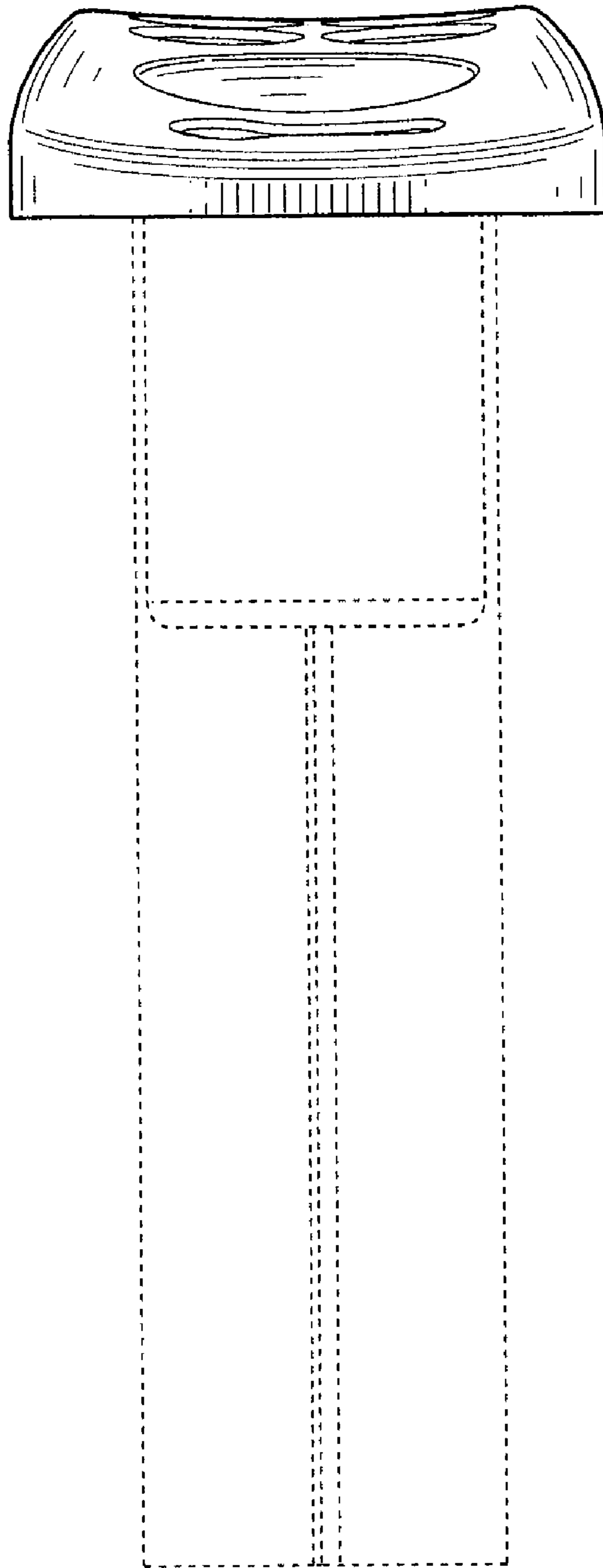


FIG. 2

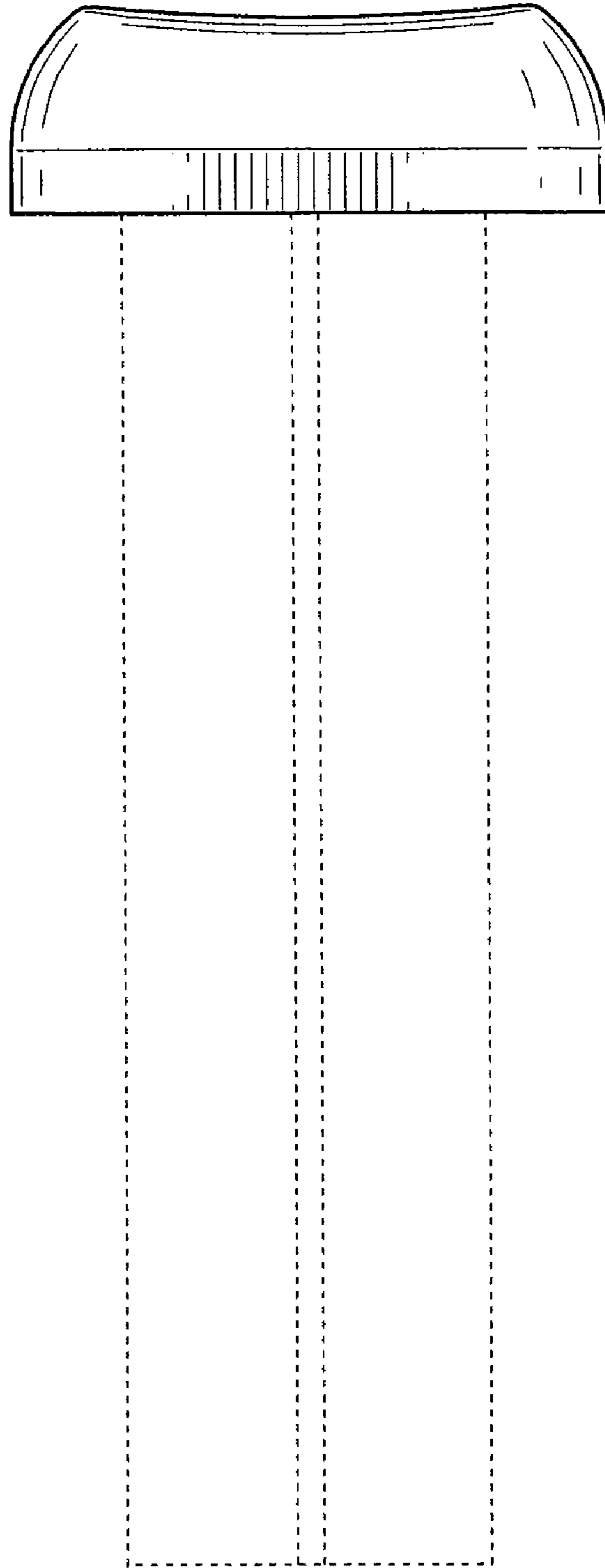


FIG. 3

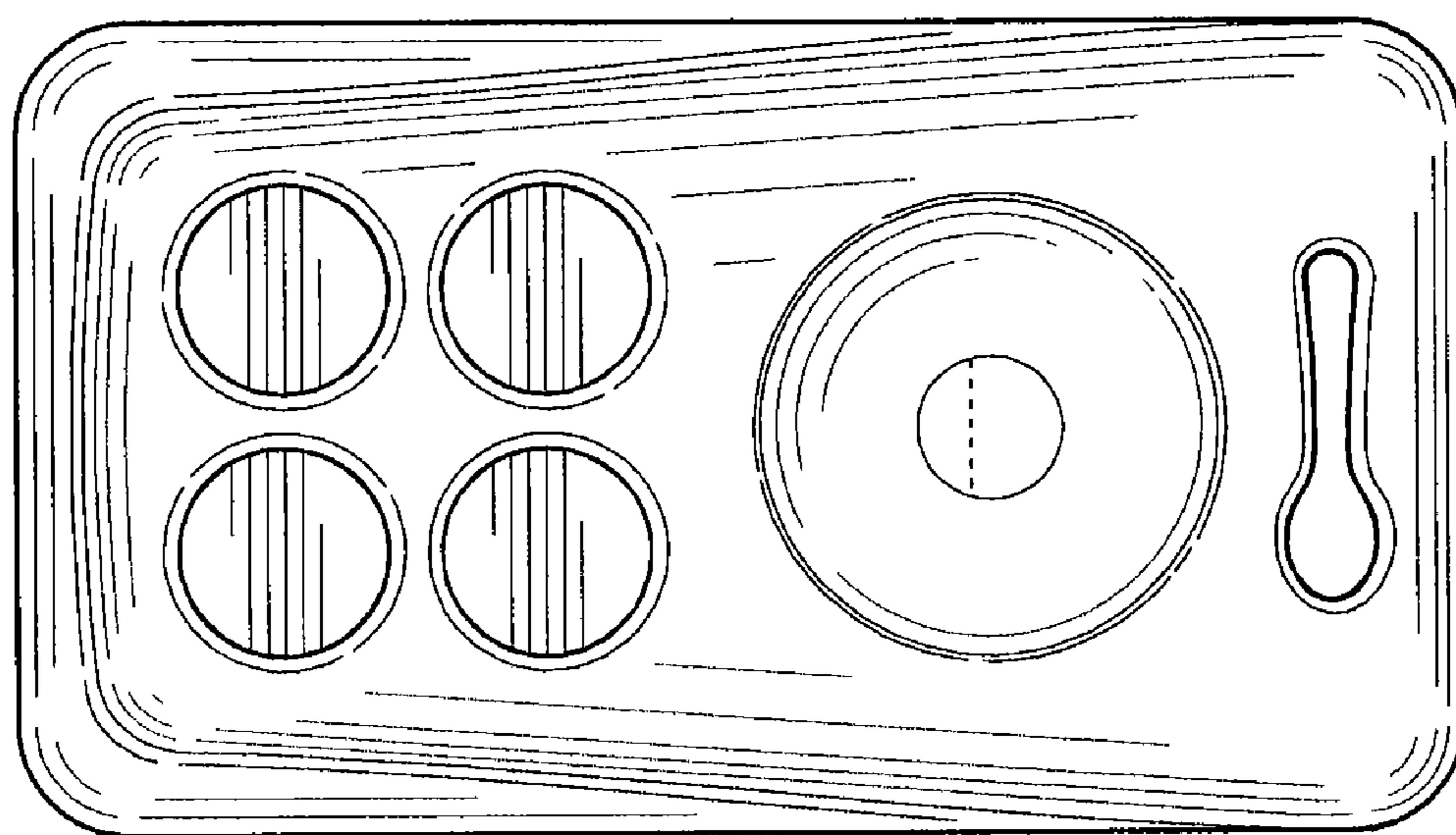


FIG. 4

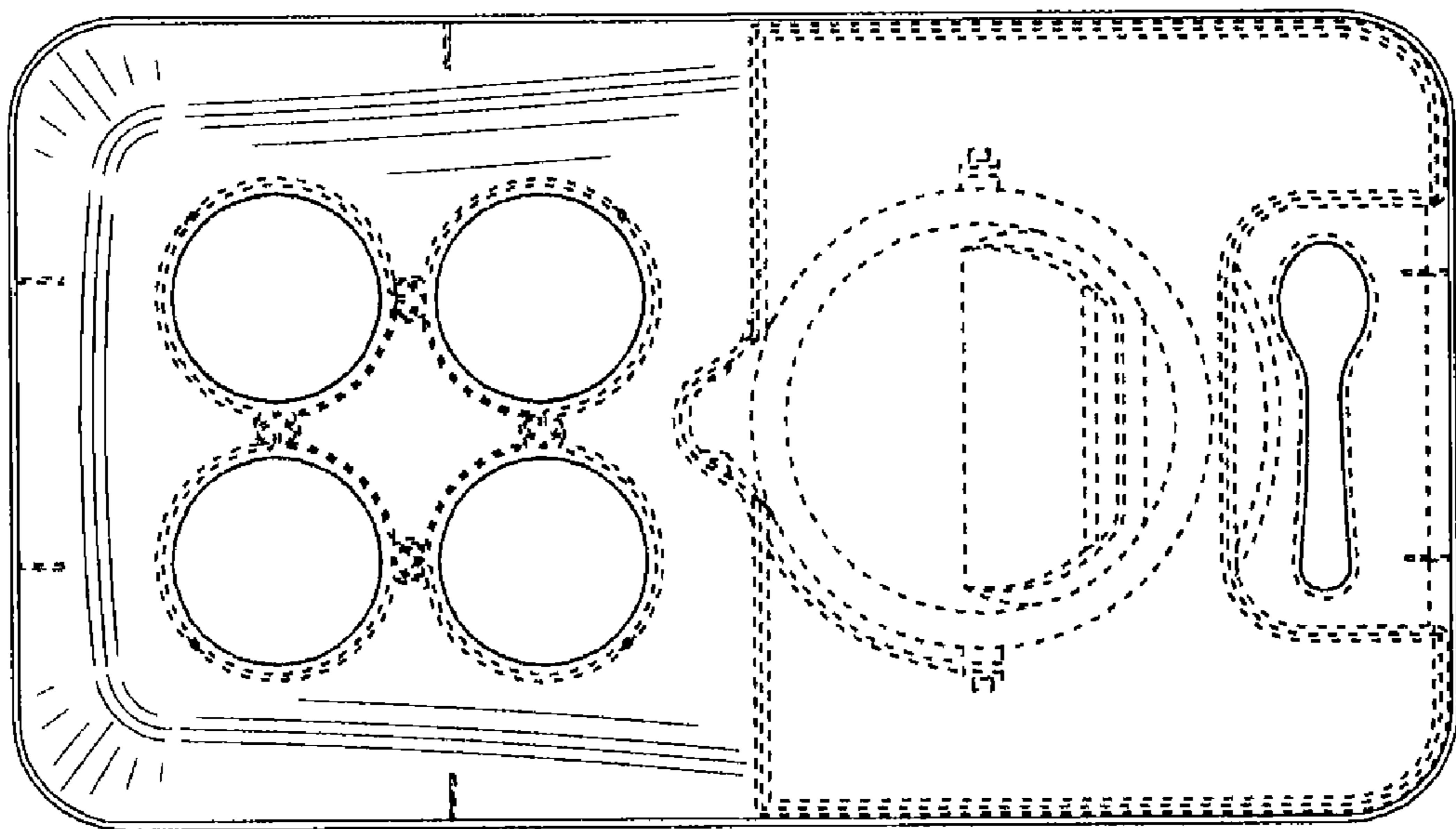


FIG. 5

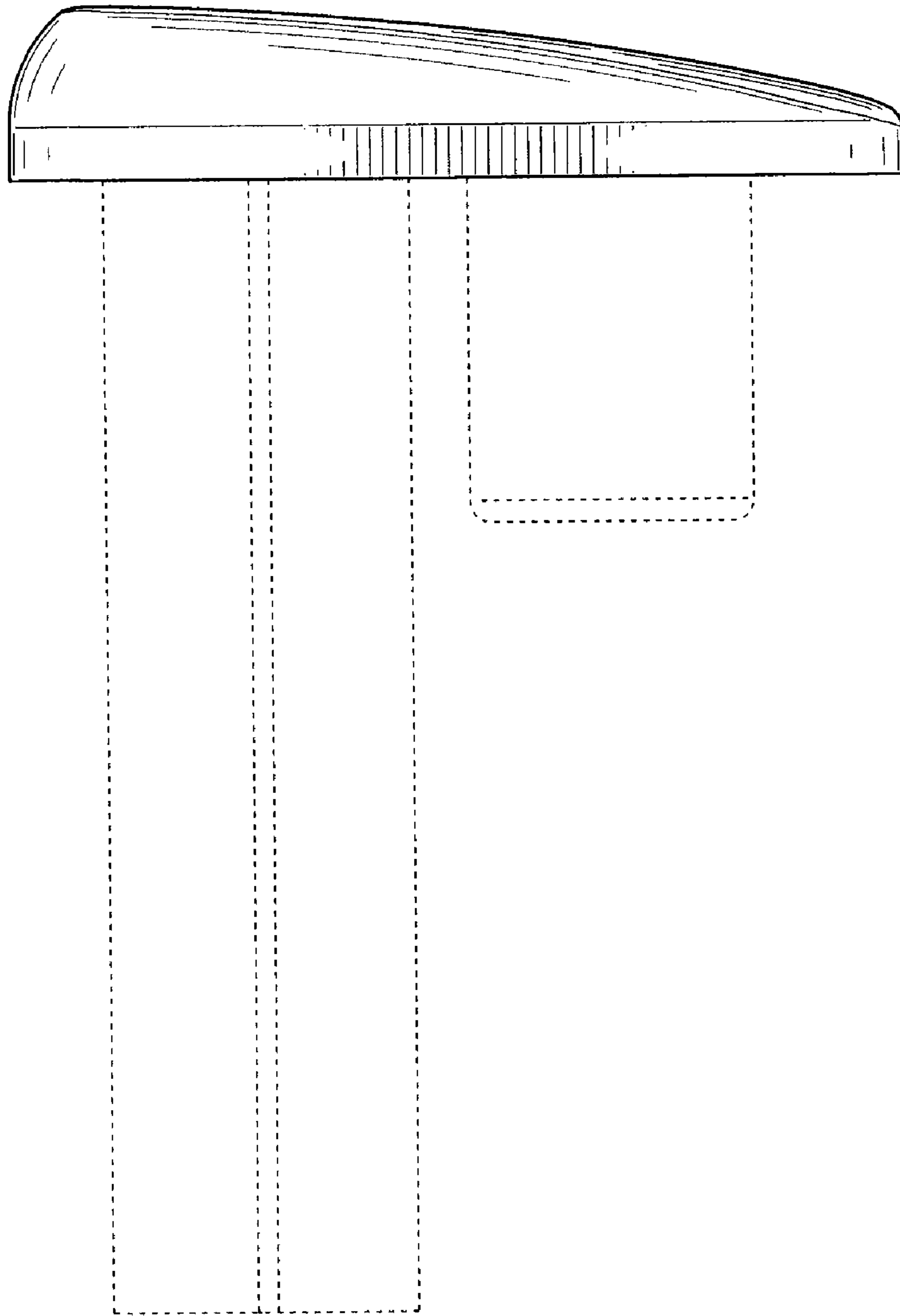


FIG. 6