

US00D591470S

(12) **United States Design Patent**  
**Tuncel**

(10) **Patent No.:** **US D591,470 S**

(45) **Date of Patent:** **\*\* Apr. 28, 2009**

(54) **WASTE RECEPTACLE**

D511,603 S \* 11/2005 Lin ..... D34/11  
D566,924 S \* 4/2008 Shek ..... D34/11

(75) Inventor: **Levent Tuncel**, Atlanta, GA (US)

\* cited by examiner

(73) Assignee: **Levent Industries, Inc**, Atlanta, GA (US)

*Primary Examiner*—Cynthia E Ramirez

(74) *Attorney, Agent, or Firm*—George Ronald Reardon

(\*\*) Term: **14 Years**

(57) **CLAIM**

(21) Appl. No.: **29/320,372**

I claim the ornamental design for a waste receptacle, as shown.

(22) Filed: **Jun. 25, 2008**

**DESCRIPTION**

(51) **LOC (9) Cl.** ..... **09-09**

A device used for the sorting and management of recyclable items and the like.

(52) **U.S. Cl.** ..... **D34/7; D34/5**

(58) **Field of Classification Search** ..... D34/1-11;  
220/908-913, 476, 477, 479, 480, 481

See application file for complete search history.

FIG. 1 is a perspective view of a waste receptacle, in the closed position;

FIG. 2 is a perspective view of a waste receptacle, in the open position;

(56) **References Cited**

**U.S. PATENT DOCUMENTS**

D196,333	S	*	9/1963	Hanson	.....	D34/7
D292,037	S	*	9/1987	Hanifl	.....	D34/7
4,697,771	A	*	10/1987	Majors	.....	248/97
4,927,076	A	*	5/1990	Simpson	.....	229/132
D323,227	S	*	1/1992	Rapaz	.....	D34/10
5,165,563	A	*	11/1992	McKendry	.....	220/254.8
5,201,417	A	*	4/1993	Outlaw, III	.....	206/366
5,273,161	A	*	12/1993	Sagstetter	.....	206/366
D481,509	S	*	10/2003	Perelli	.....	D34/11
D482,834	S	*	11/2003	Bennett	.....	D34/11

FIG. 3 is a front elevational view of a waste receptacle;

FIG. 4 is a rear elevational view of a waste receptacle;

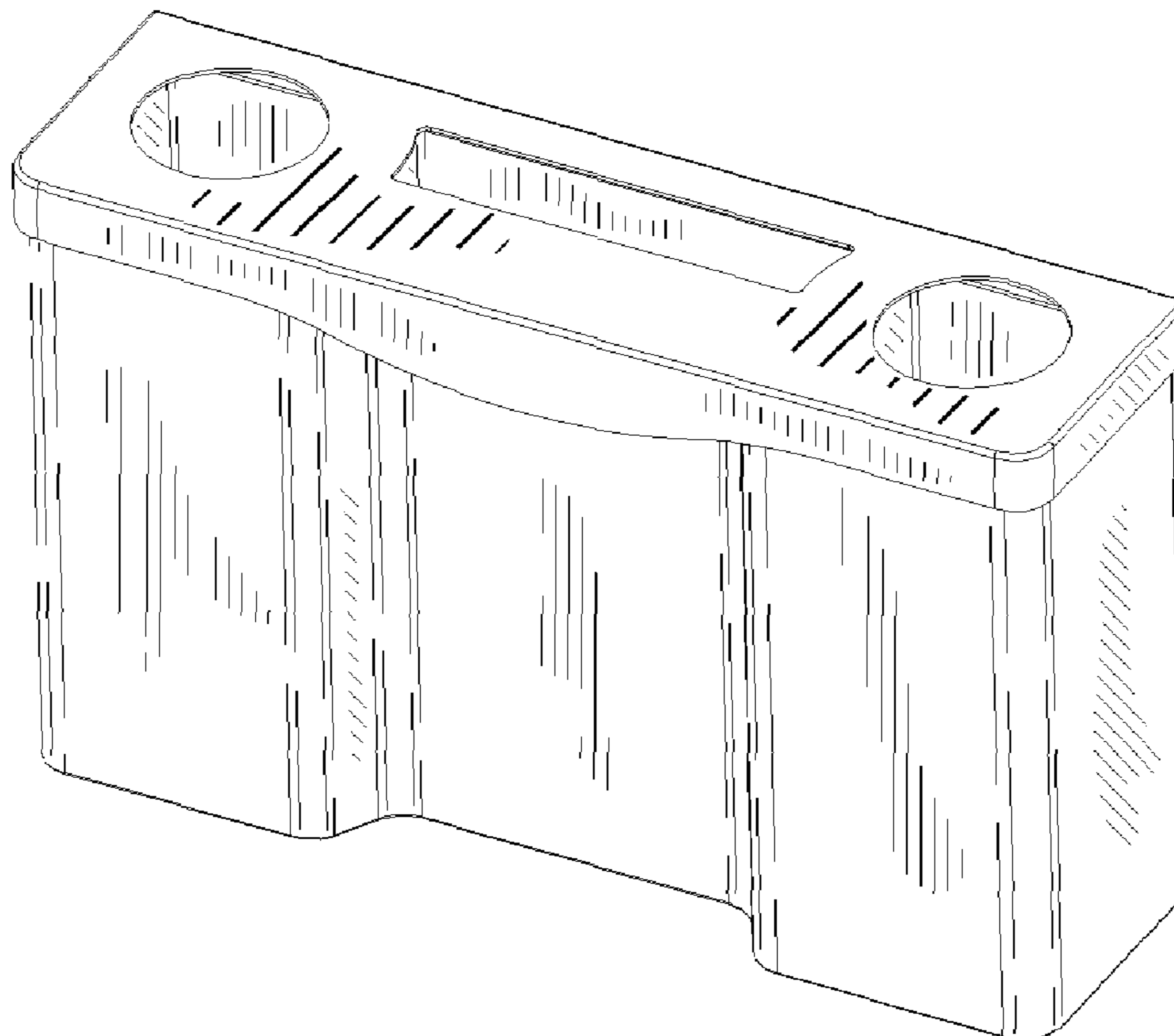
FIG. 5 is a top plan view of a waste receptacle;

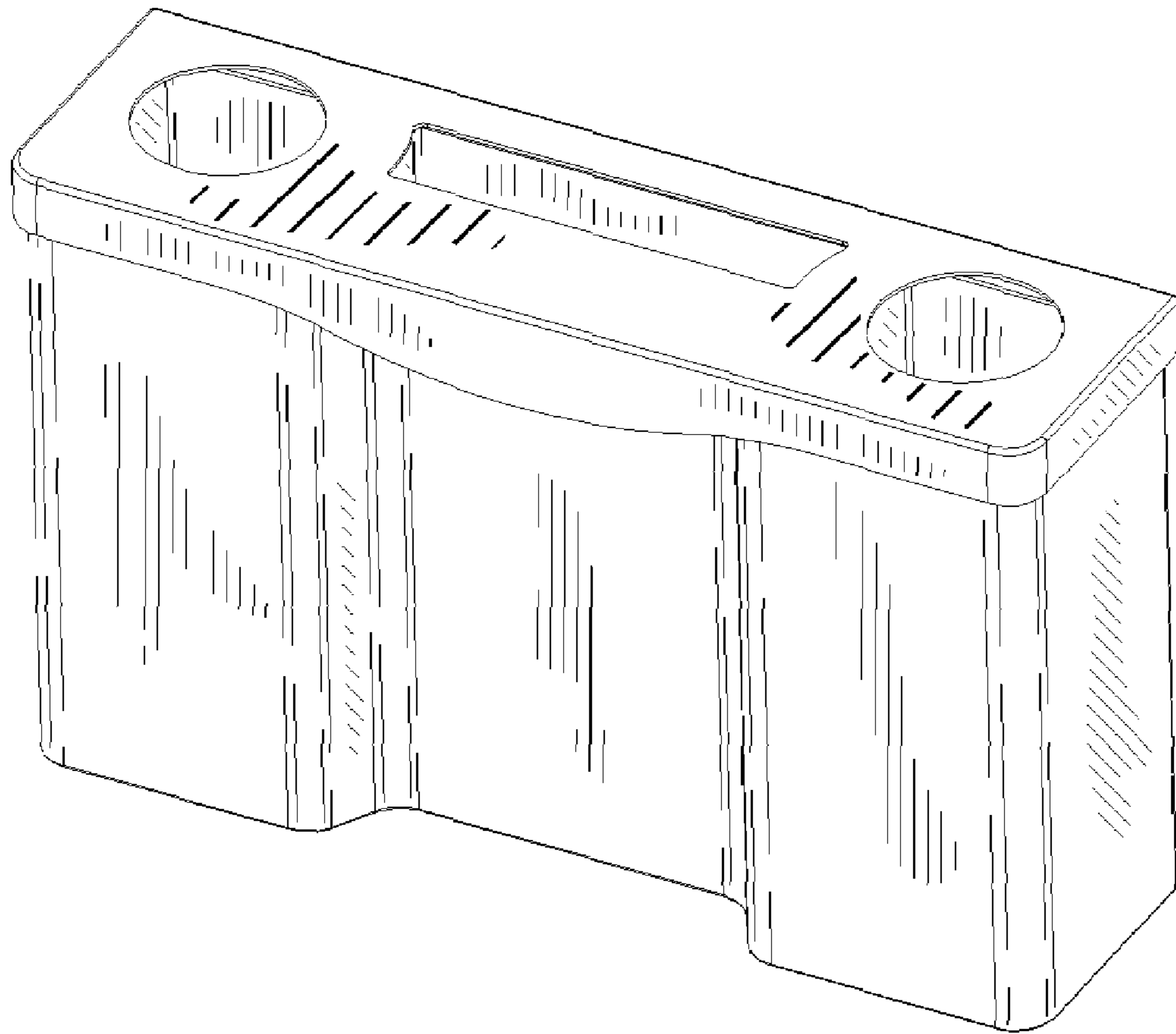
FIG. 6 is a bottom plan view of a waste receptacle;

FIG. 7 is a left side elevational view of a waste receptacle; and,

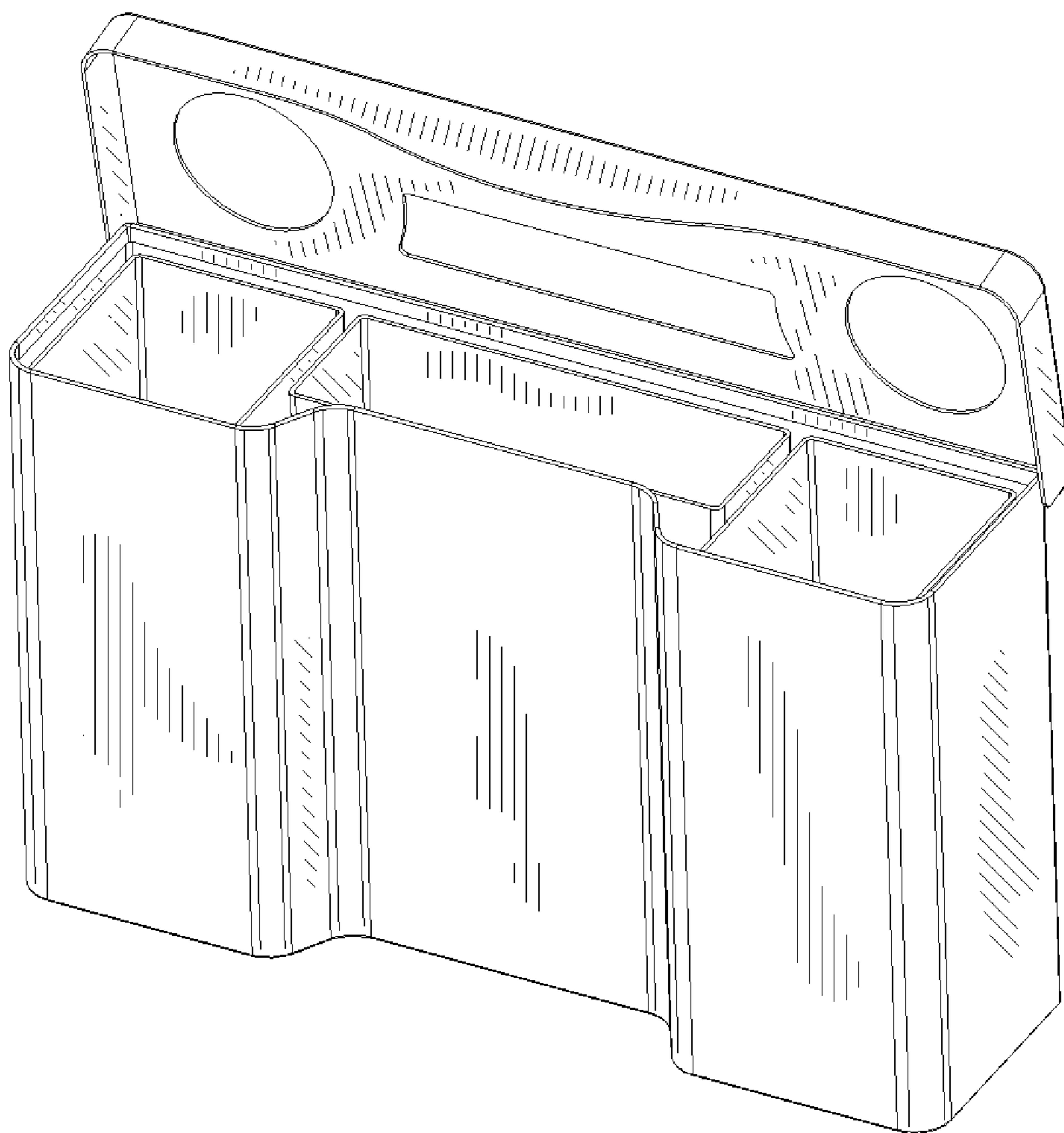
FIG. 8 is a right side elevational view of a waste receptacle.

**1 Claim, 8 Drawing Sheets**

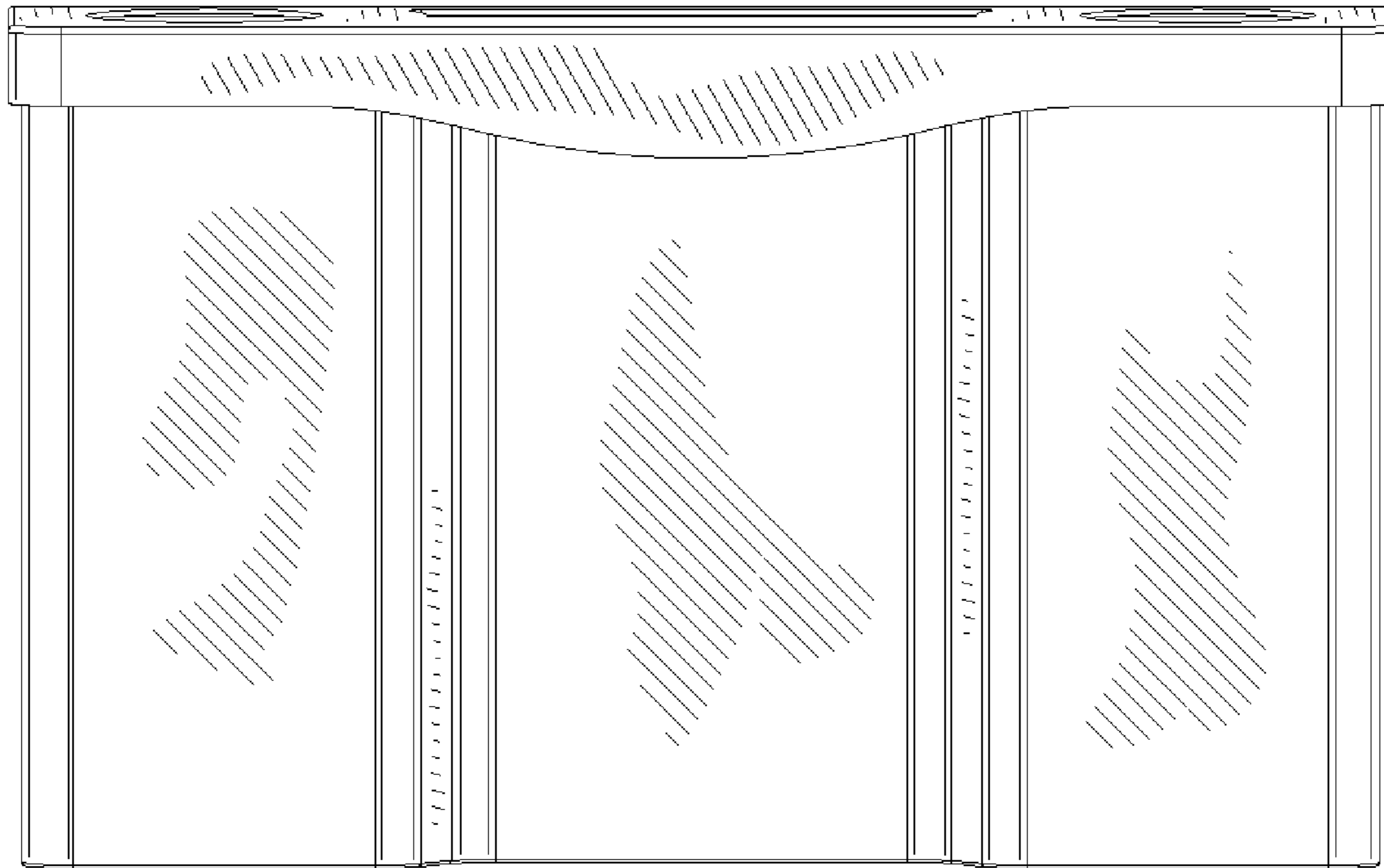




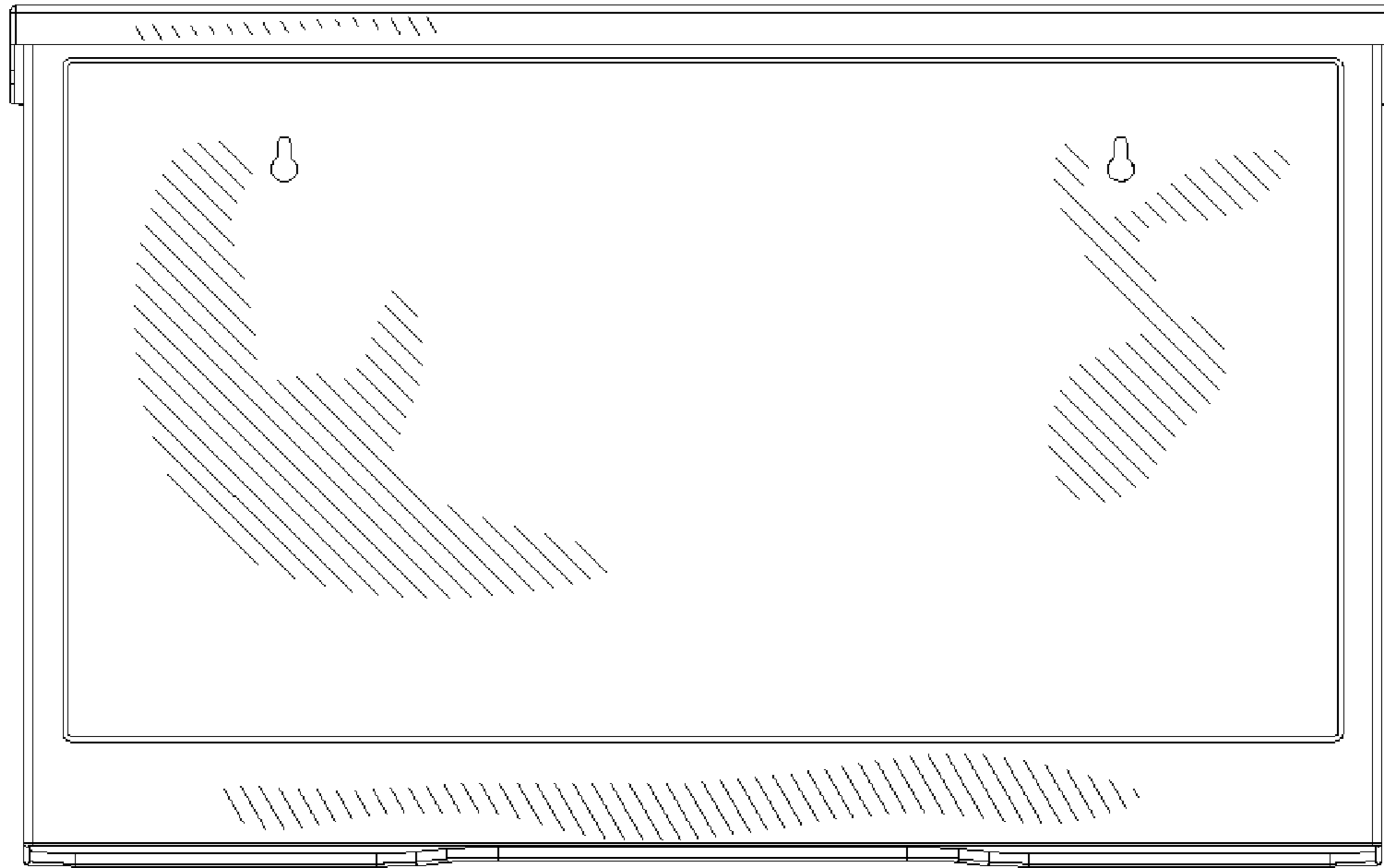
**FIG. 1**



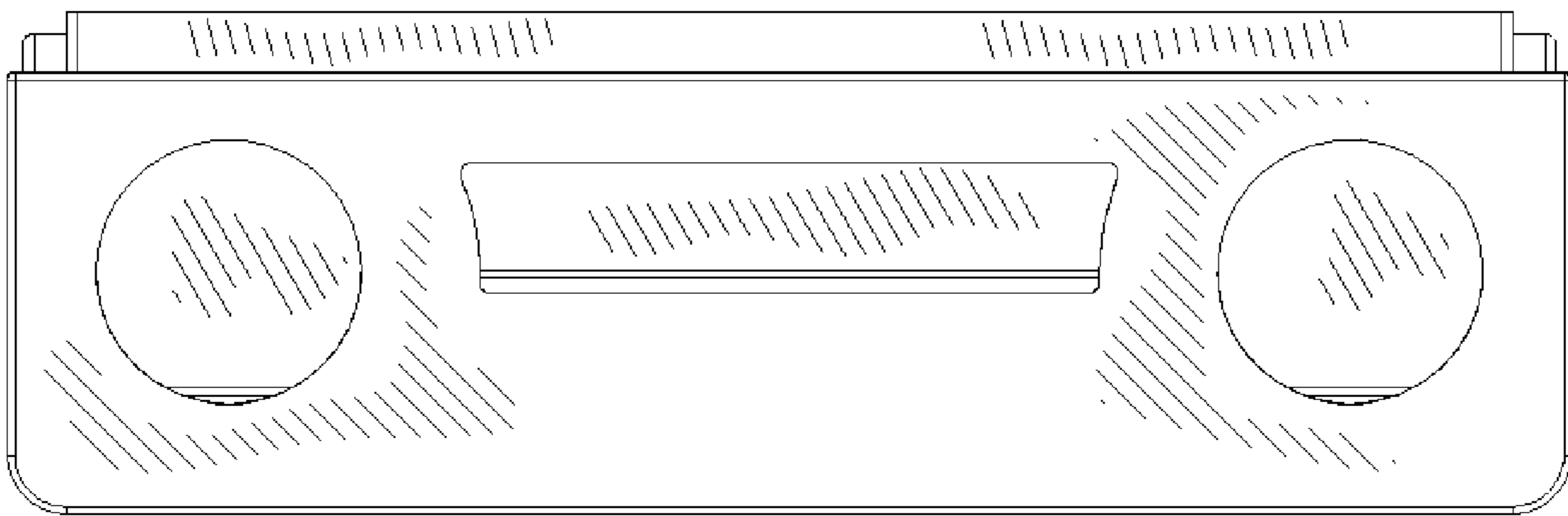
**FIG. 2**



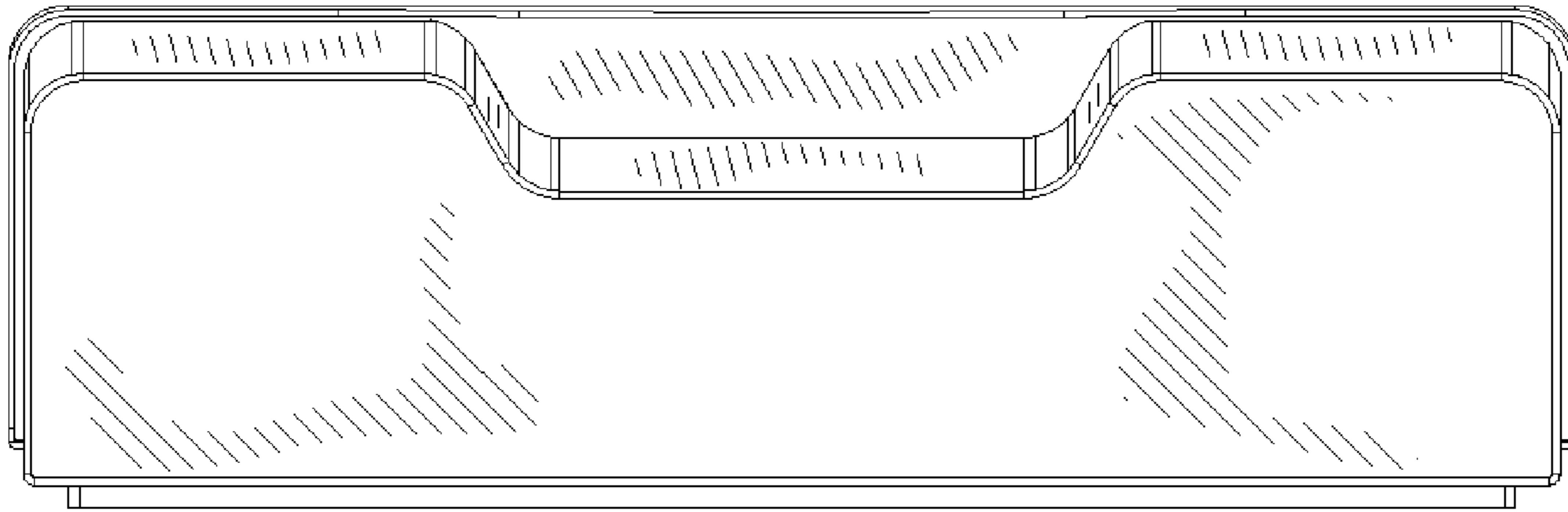
**FIG. 3**



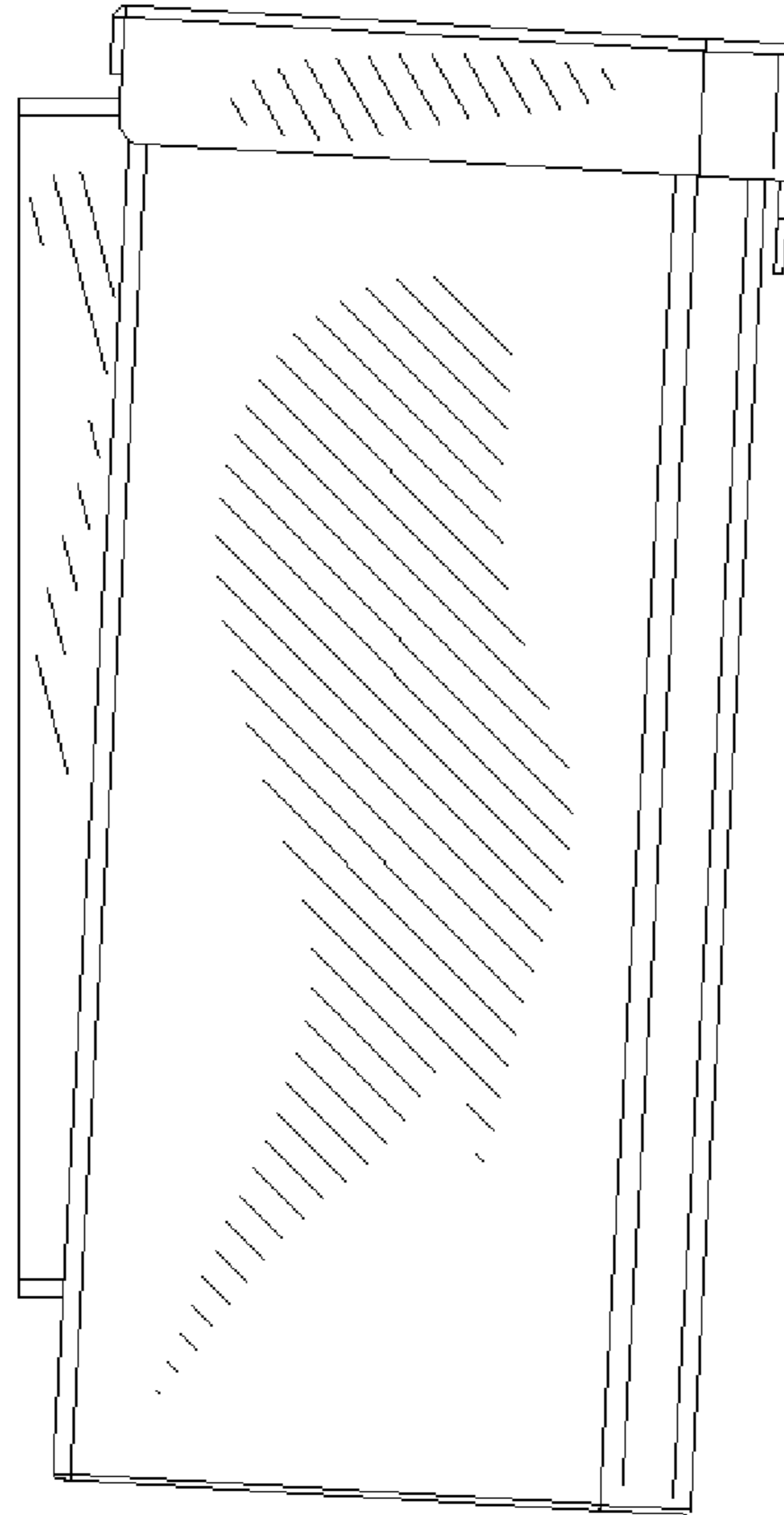
**FIG. 4**



**FIG. 5**

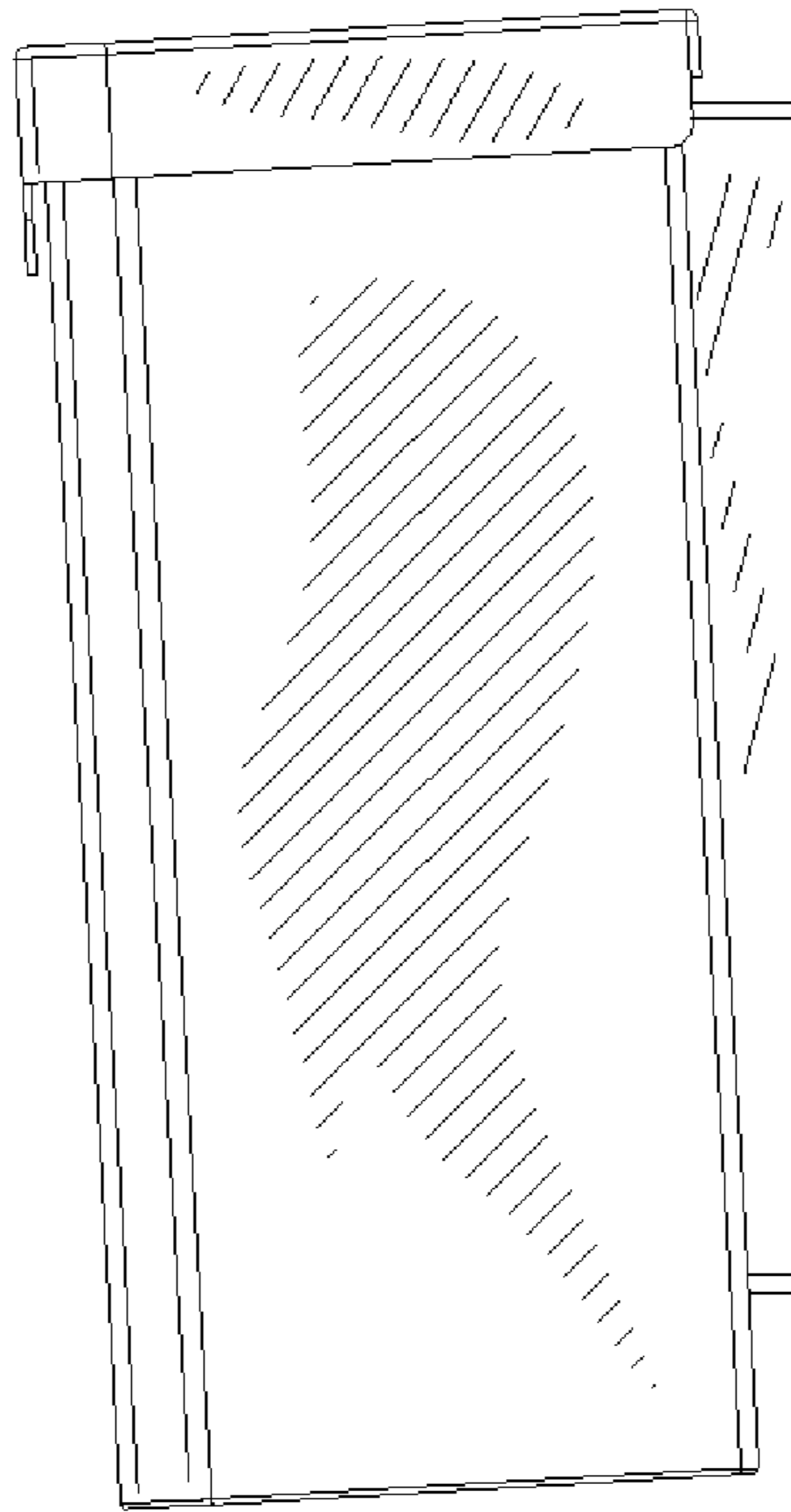


**FIG. 6**



**FIG. 7**





**FIG. 8**