



US00D591465S

(12) **United States Design Patent**
Lin

(10) **Patent No.:** **US D591,465 S**

(45) **Date of Patent:** **** Apr. 28, 2009**

(54) **TWO-STEP DUST COLLECTOR**

(75) Inventor: **Wen-San Lin**, Taichung (TW)

(73) Assignee: **Meta International Co., Ltd.**, Taichung (TW)

(**) Term: **14 Years**

(21) Appl. No.: **29/298,662**

(22) Filed: **Dec. 10, 2007**

(51) **LOC (9) Cl.** **15-15**

(52) **U.S. Cl.** **D32/21**

(58) **Field of Classification Search** D32/1,
D32/15, 21.23; 55/315, 429, 482, 428, 337,
55/471, DIG. 3; 451/456, 453; 144/252.1;
96/350

See application file for complete search history.

(56) **References Cited**

U.S. PATENT DOCUMENTS

D289,096 S *	3/1987	Larsen	D32/21
D357,095 S *	4/1995	Lin	D32/1
D358,234 S *	5/1995	Lin	D32/1
D501,964 S *	2/2005	Cheng	D32/21
D502,297 S *	2/2005	Cheng	D32/21
D518,610 S *	4/2006	Cheng	D32/21

D527,852 S *	9/2006	Tsai	D32/1
D533,321 S *	12/2006	Peng	D32/21
7,217,307 B2 *	5/2007	Cheng	55/356
D566,350 S *	4/2008	Leasure	D32/21

* cited by examiner

Primary Examiner—Ruth McInroy

(74) *Attorney, Agent, or Firm*—Muncy, Geissler, Olds & Lowe, PLLC

(57) **CLAIM**

The ornamental design for two-step dust collector, as shown and described.

DESCRIPTION

FIG. 1 is a perspective view of a two-step dust collector showing my new design;

FIG. 2 is a front side elevational view thereof;

FIG. 3 is a rear plan view thereof;

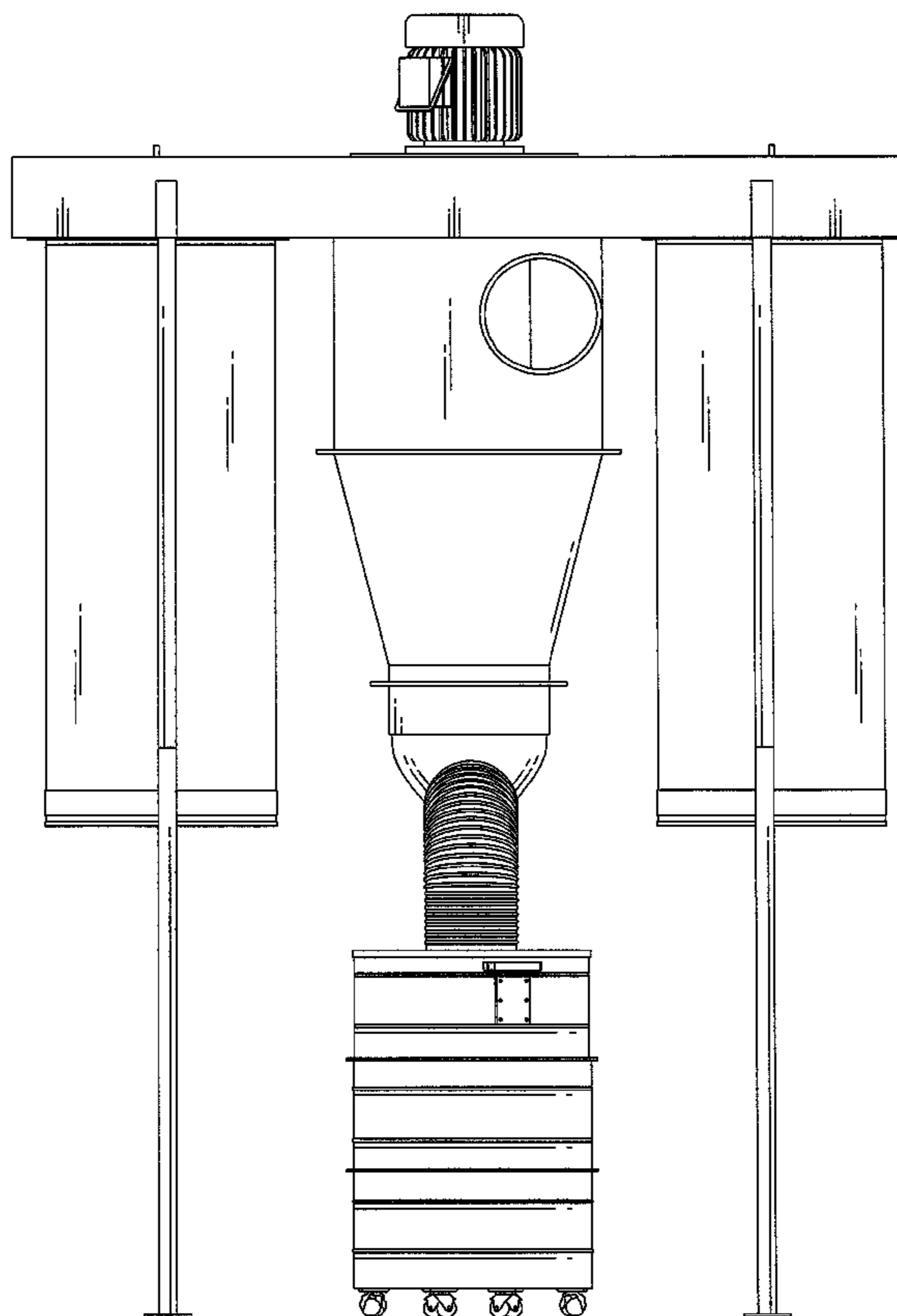
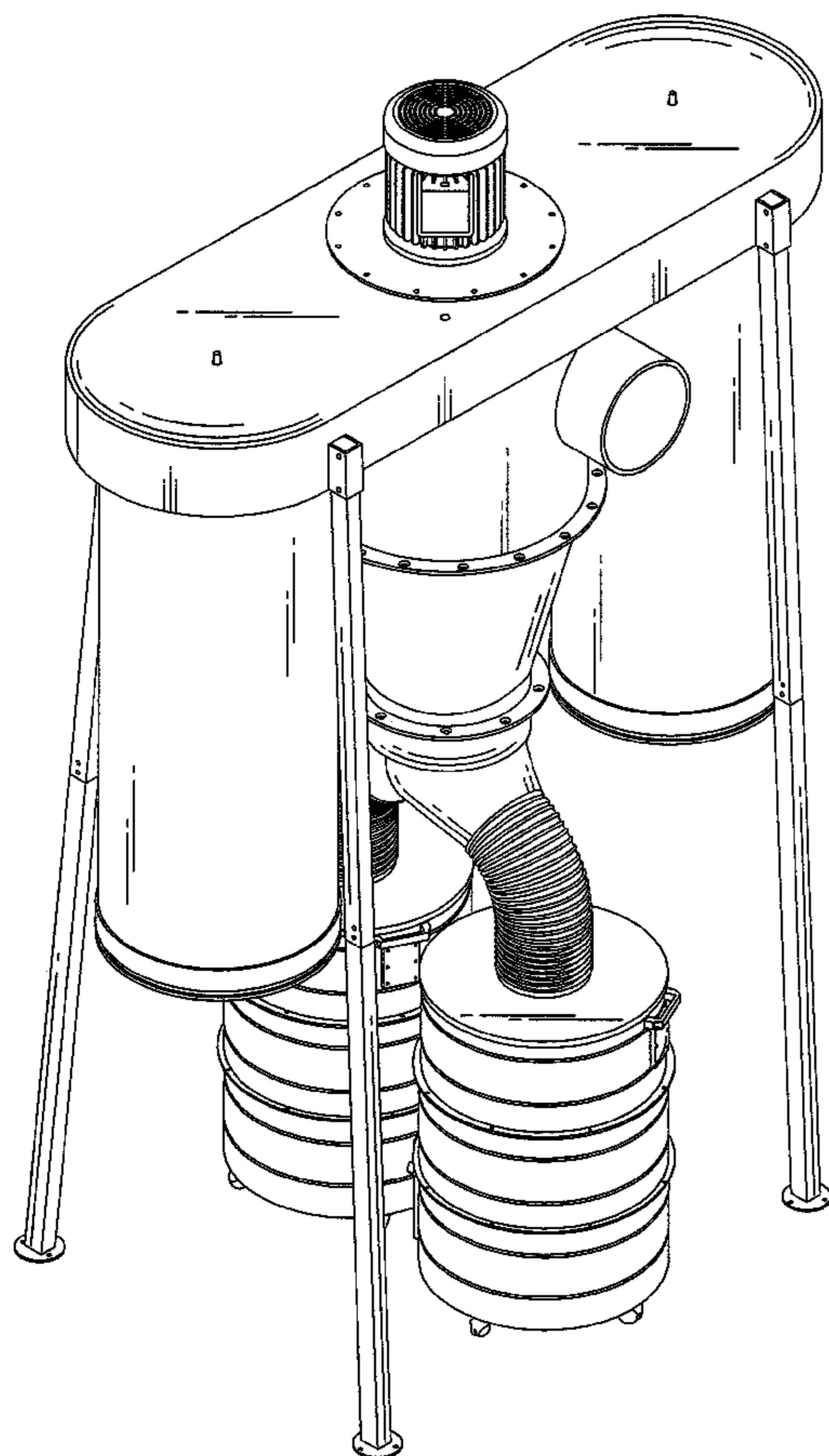
FIG. 4 is a left side elevational view thereof;

FIG. 5 is a right plan view thereof;

FIG. 6 is a top side elevational view thereof; and,

FIG. 7 is a bottom side elevational view thereof.

1 Claim, 6 Drawing Sheets



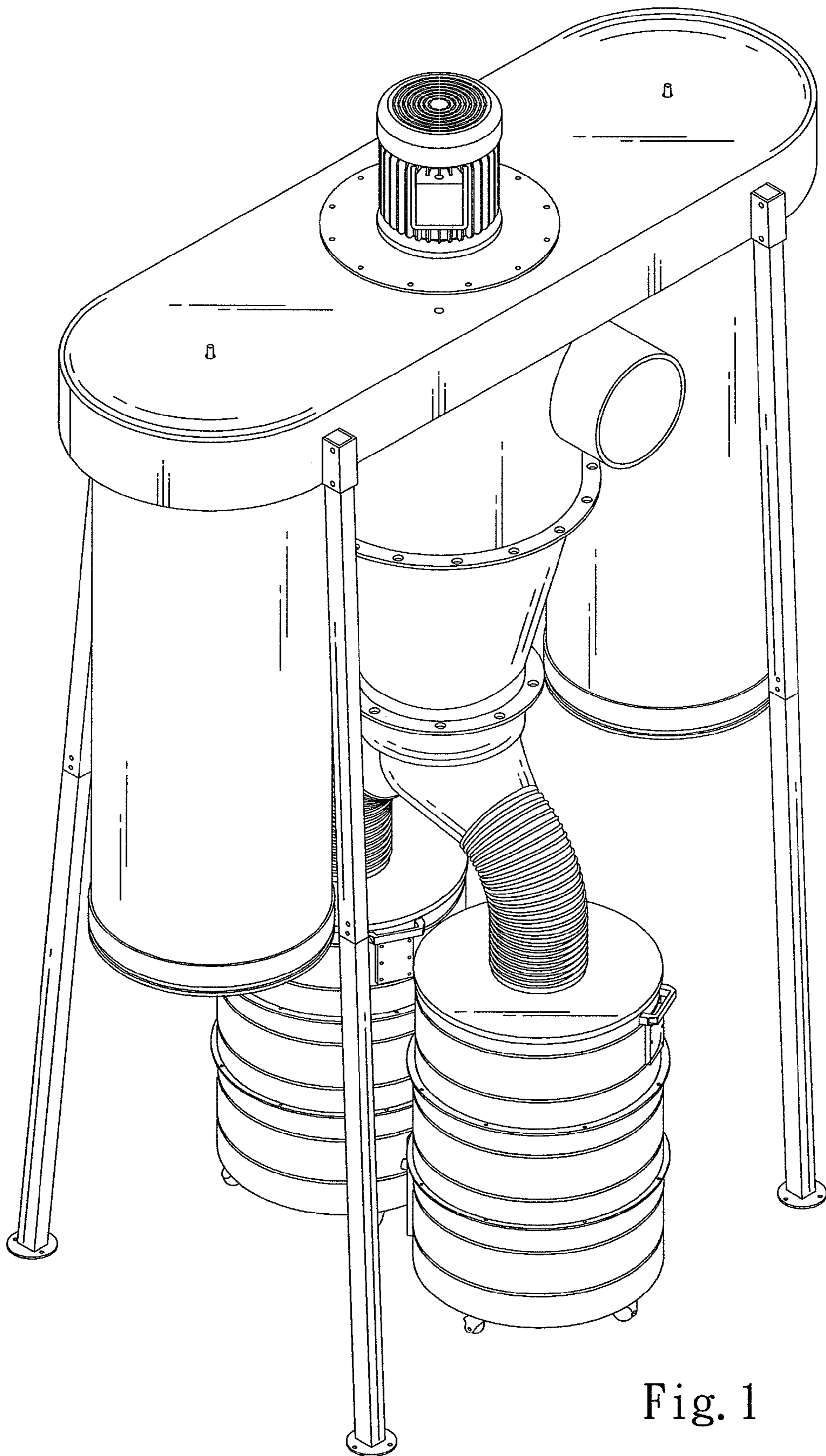


Fig. 1

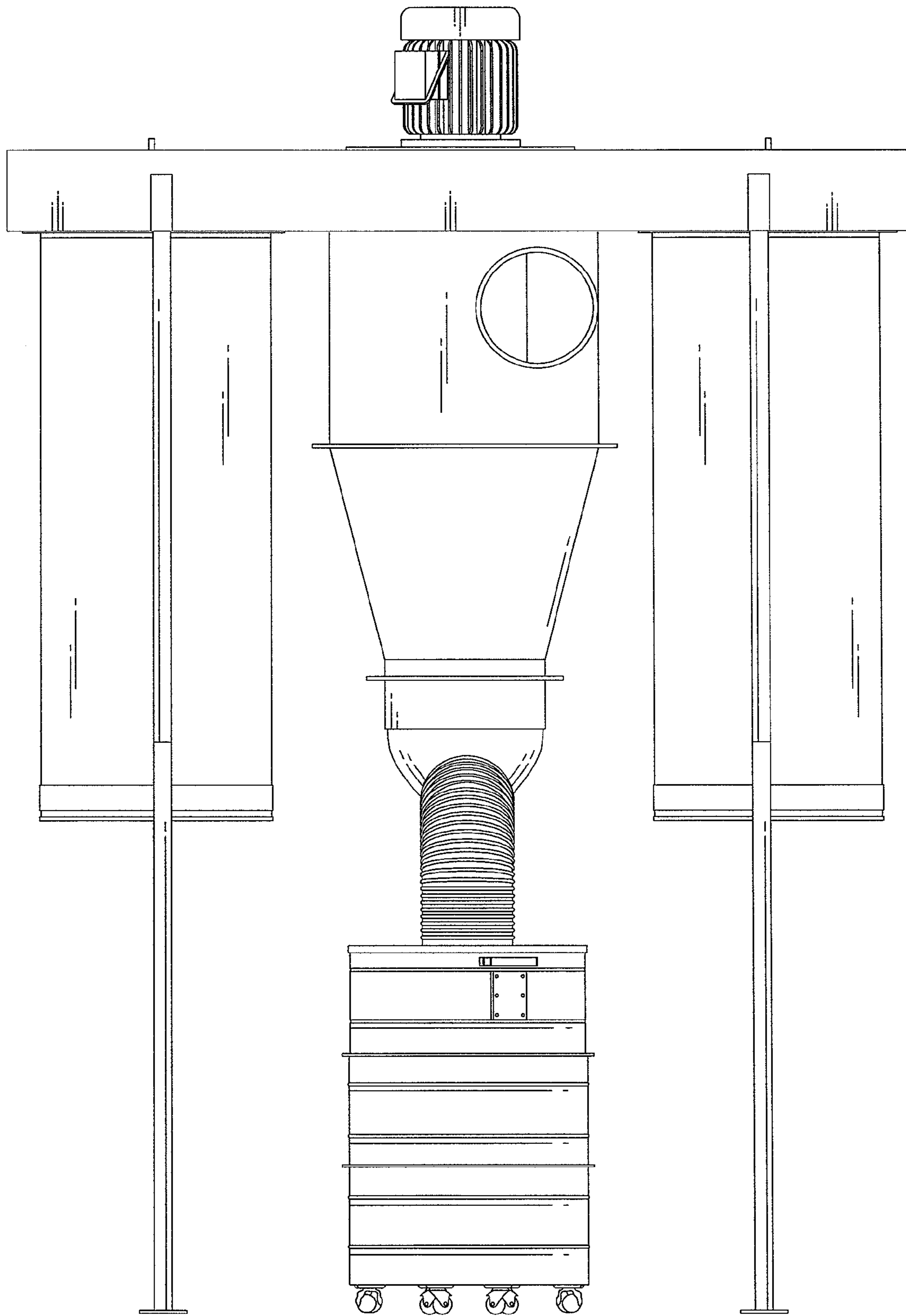


Fig. 2

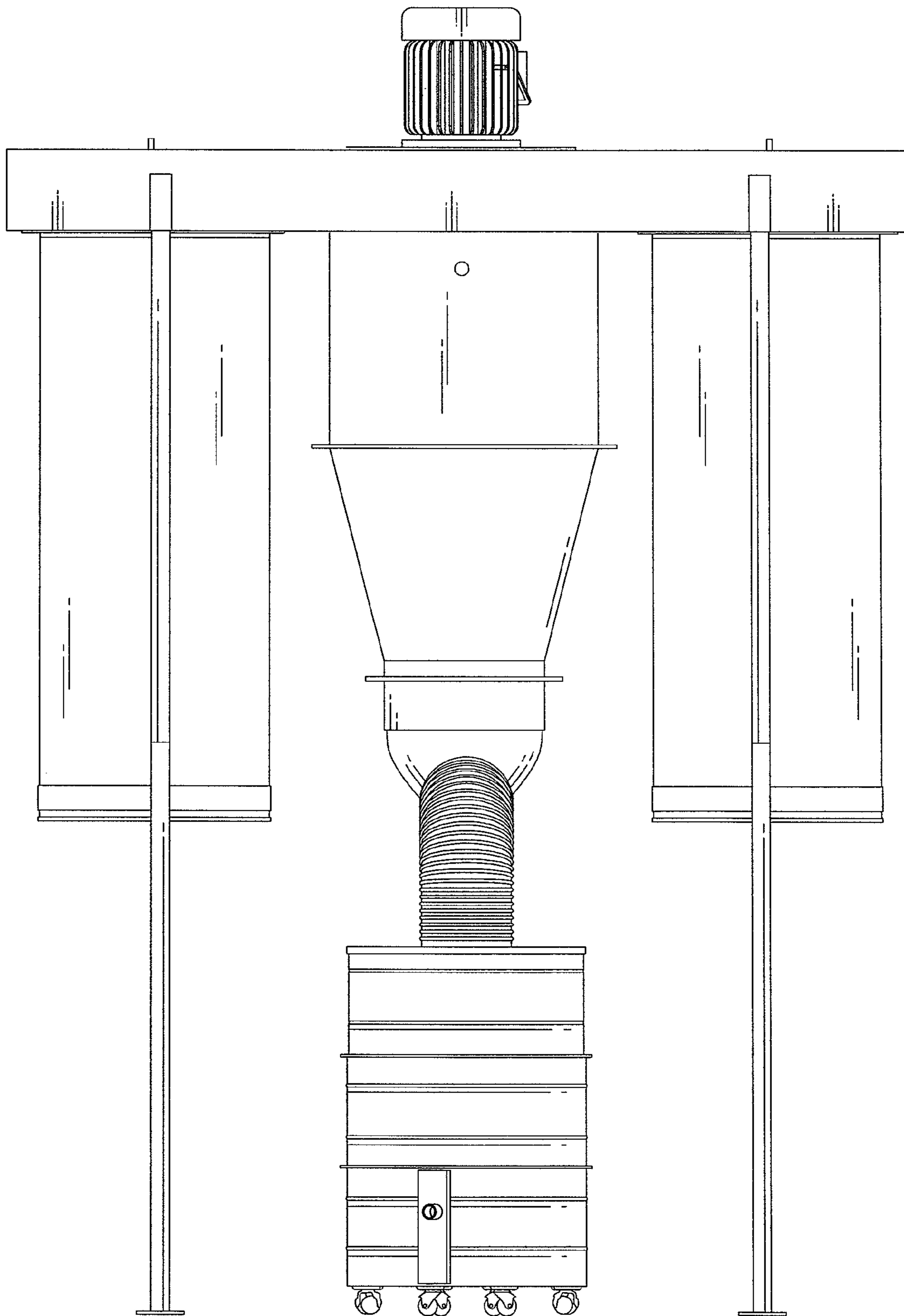


Fig. 3

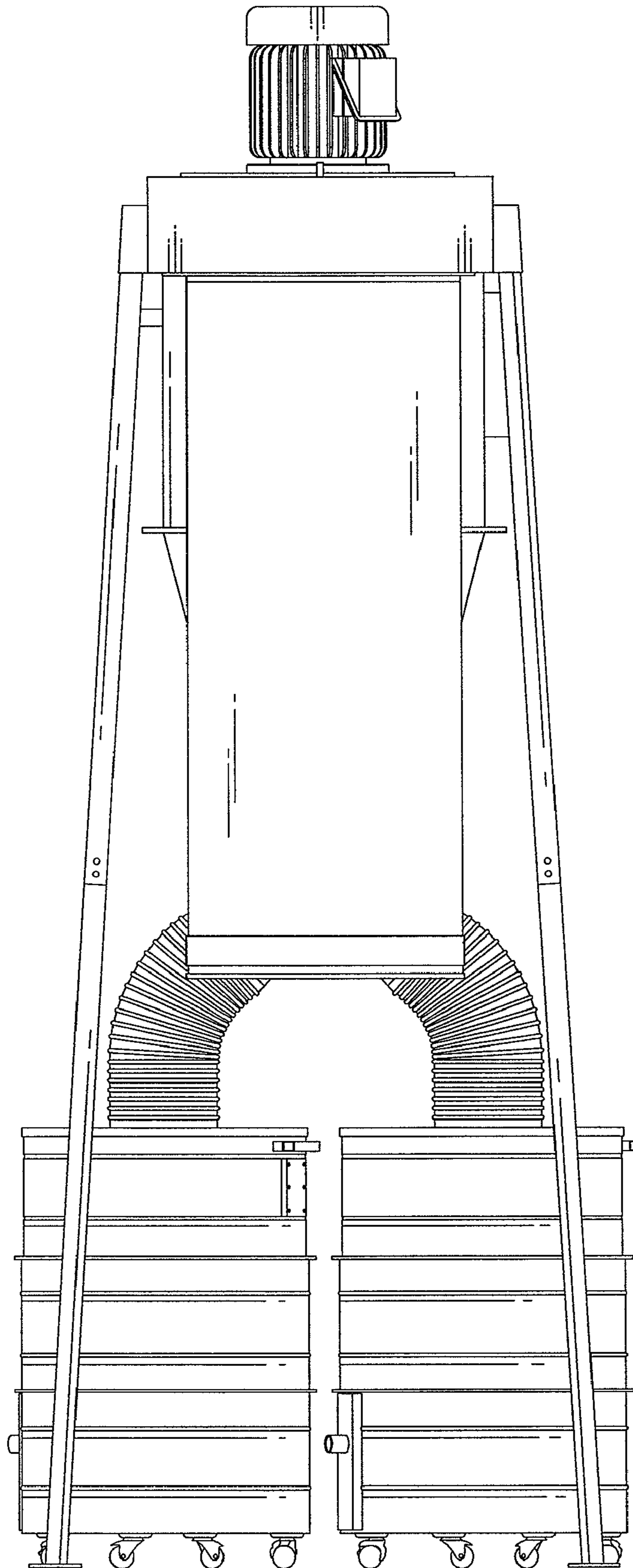


Fig. 4

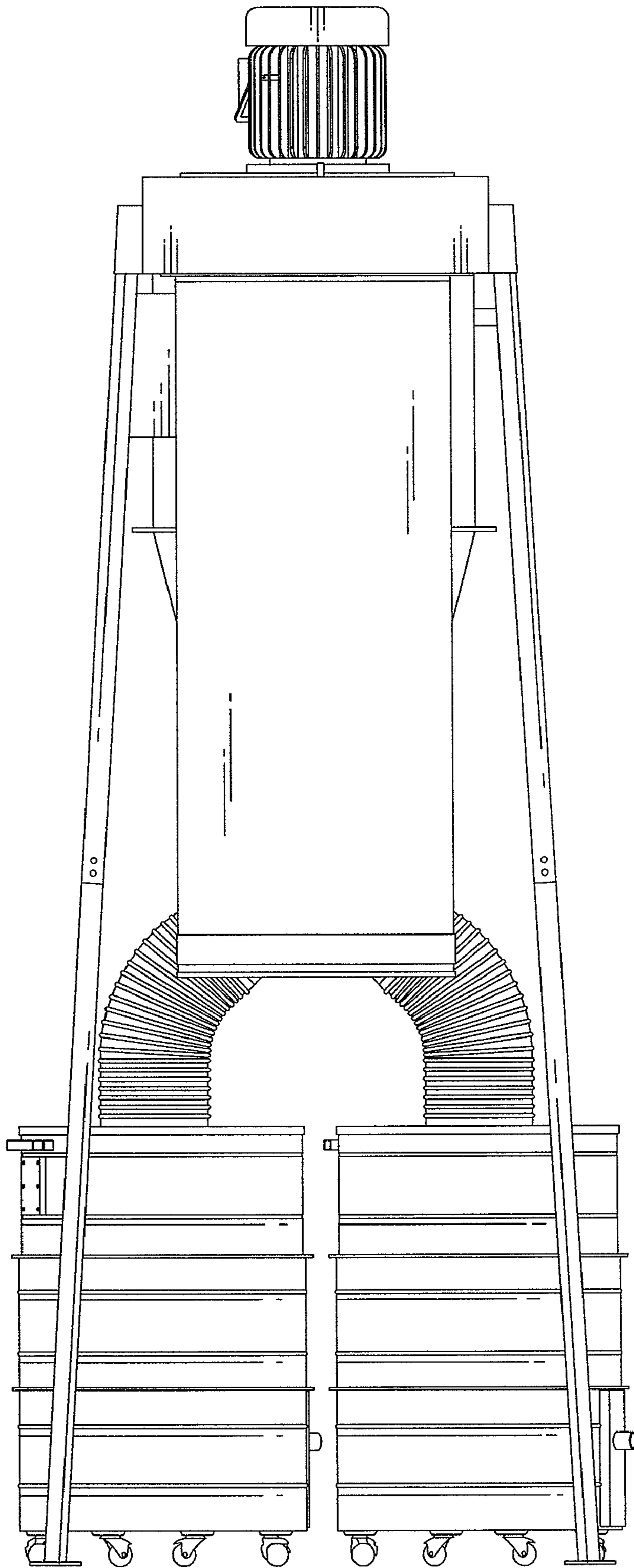


Fig. 5

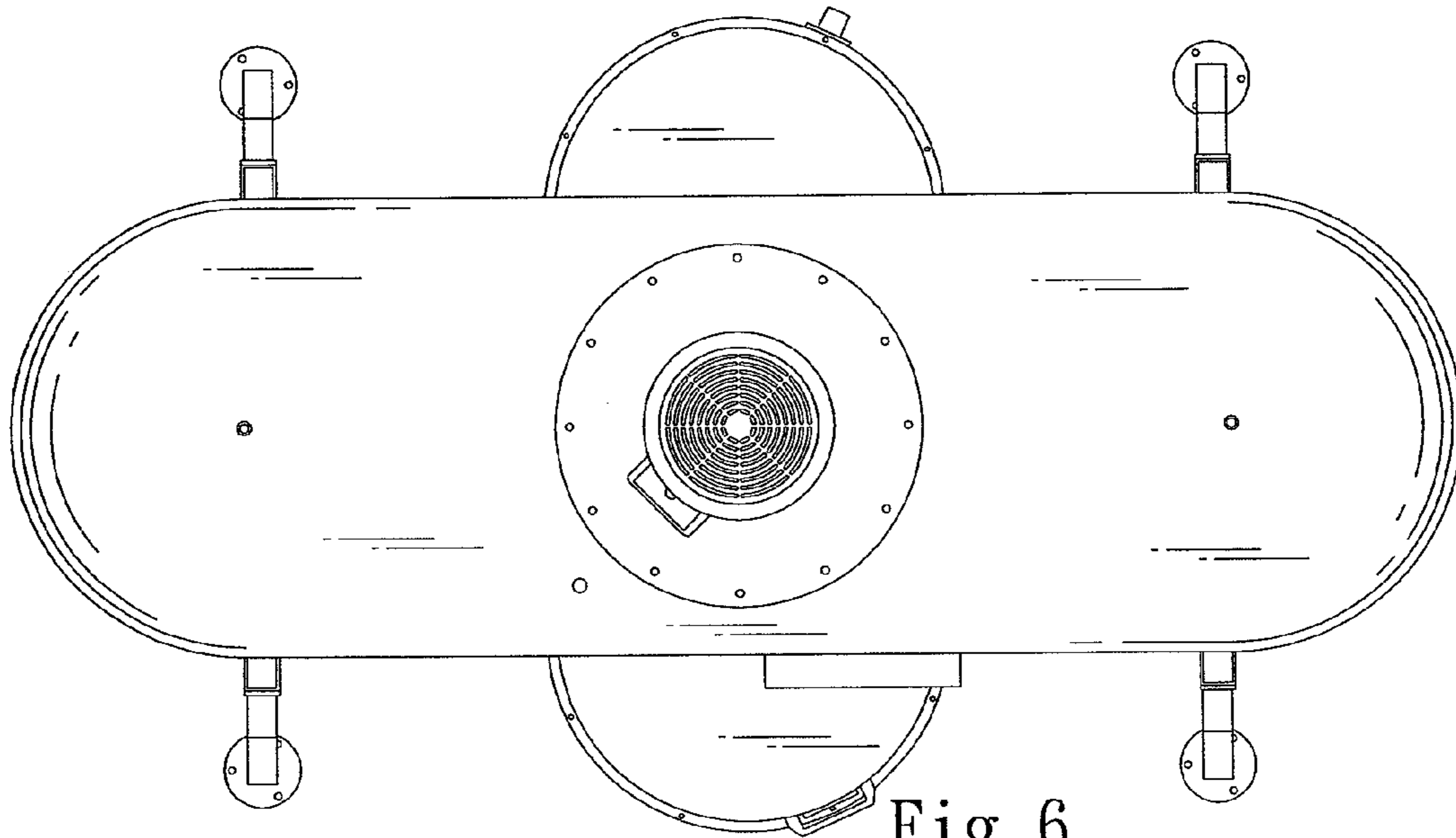


Fig. 6

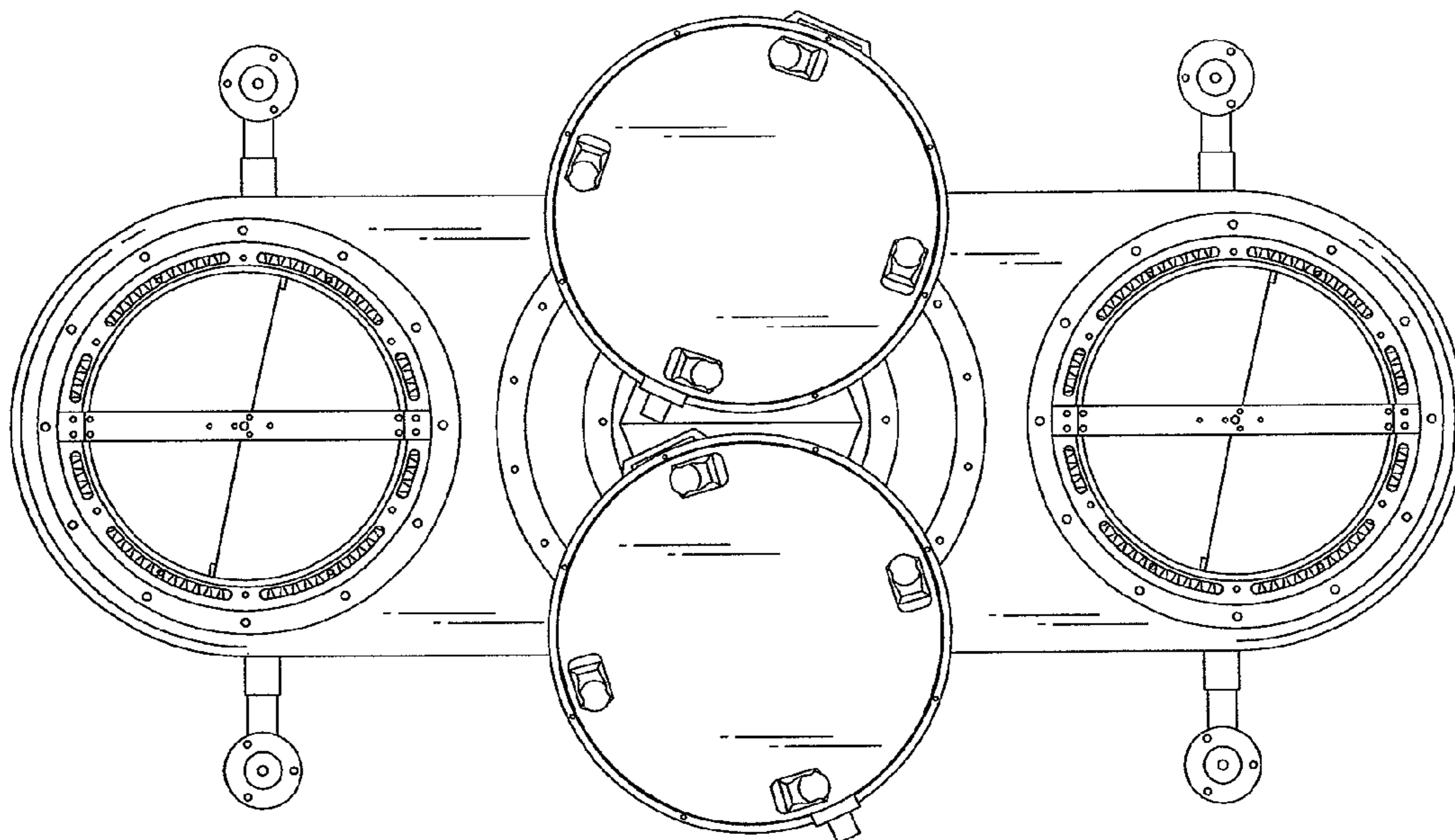


Fig. 7