

US00D591464S

(12) **United States Design Patent**
Green

(10) **Patent No.:** **US D591,464 S**

(45) **Date of Patent:** **** Apr. 28, 2009**

(54) **VENT FOR A DISHWASHER**

D434,883 S * 12/2000 Li et al. D32/3

(75) Inventor: **Eric D. Green**, Saint Joseph, MI (US)

* cited by examiner

(73) Assignee: **Whirlpool Corporation**, Benton Harbor, MI (US)

Primary Examiner—T. Chase Nelson

Assistant Examiner—Kathleen M Sims

(74) *Attorney, Agent, or Firm*—Tara Hartman; Michael D. Lafrenz

(**) Term: **14 Years**

(21) Appl. No.: **29/326,131**

(57) **CLAIM**

(22) Filed: **Oct. 13, 2008**

The ornamental design for a vent for a dishwasher, as shown and described.

(51) **LOC (9) Cl.** **15-05**

(52) **U.S. Cl.** **D32/3**

(58) **Field of Classification Search** D32/1-3,
D32/25; 312/109, 213; 134/56 D, 57 D,
134/58 DL, 182

See application file for complete search history.

DESCRIPTION

FIG. 1 is a front perspective view of a vent for a dishwasher showing my new design;

FIG. 2 is an enlarged front perspective view thereof; and,

FIG. 3 is a front view thereof.

The broken line showing of a dishwasher door in FIG. 1 is included for the purpose of showing environment of the vent for a dishwasher and forms no part of the claimed design.

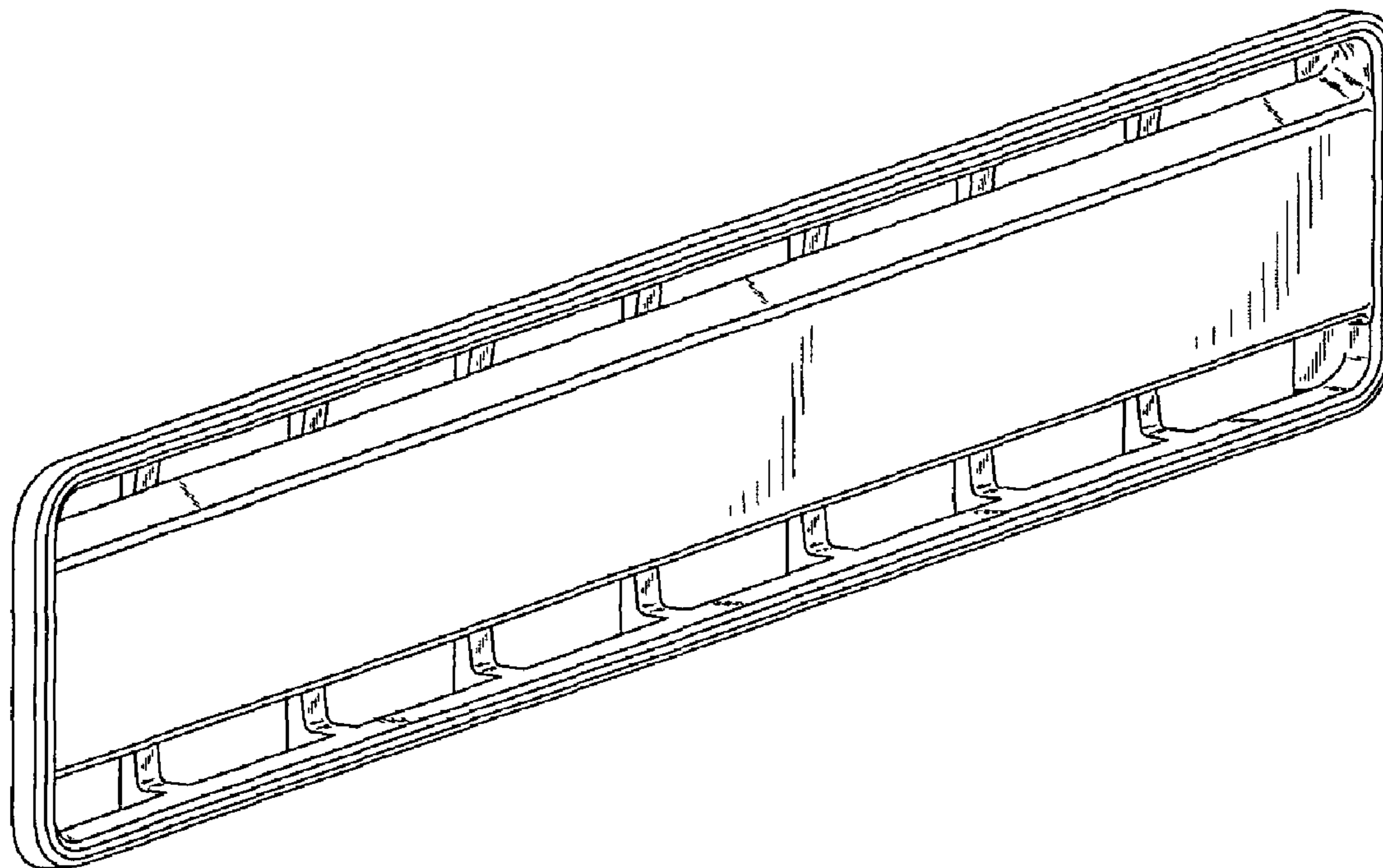
(56) **References Cited**

U.S. PATENT DOCUMENTS

4,179,821 A * 12/1979 Herbst et al. 34/235

6,053,808 A * 4/2000 Koradia et al. 454/184

1 Claim, 2 Drawing Sheets



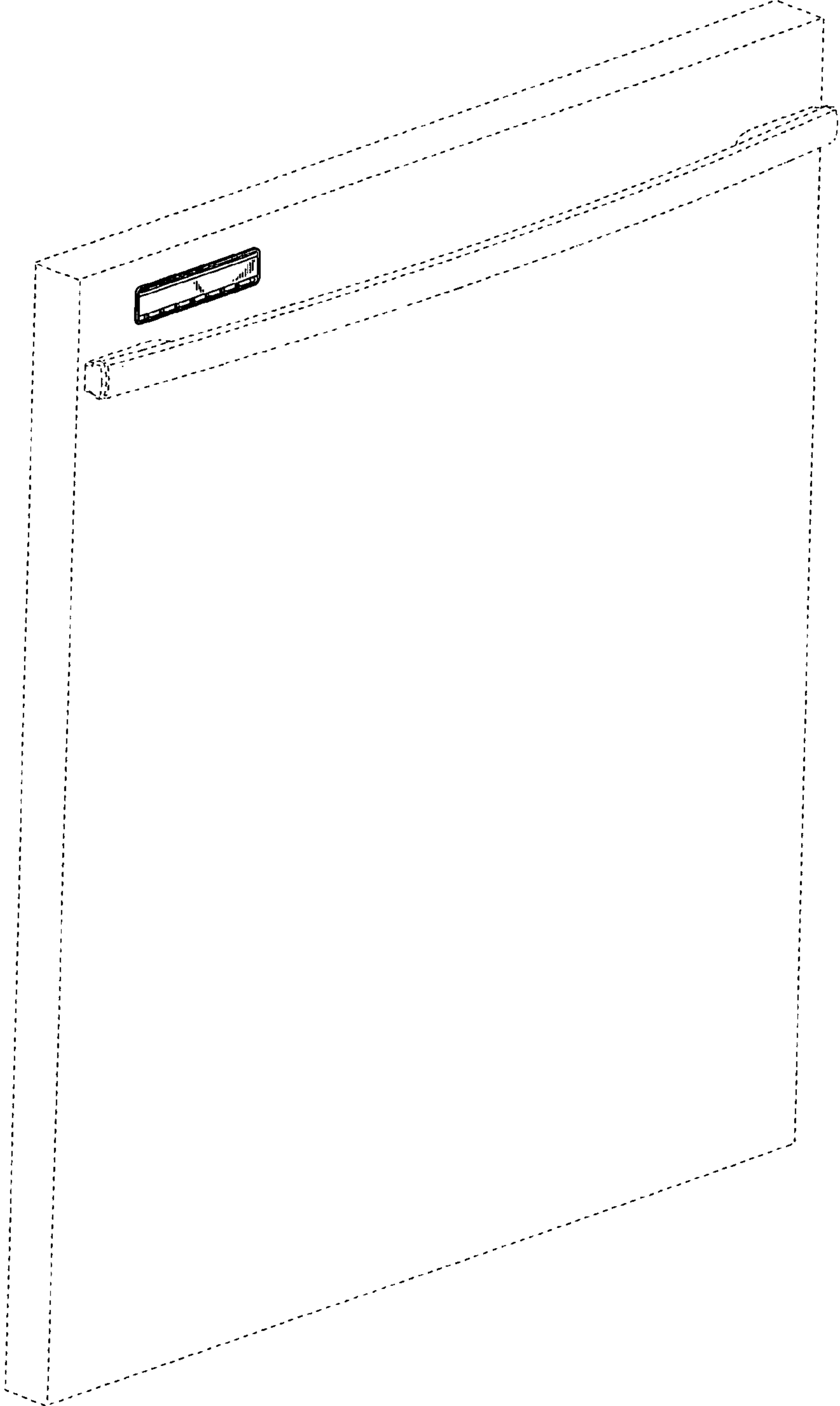


Fig. 1

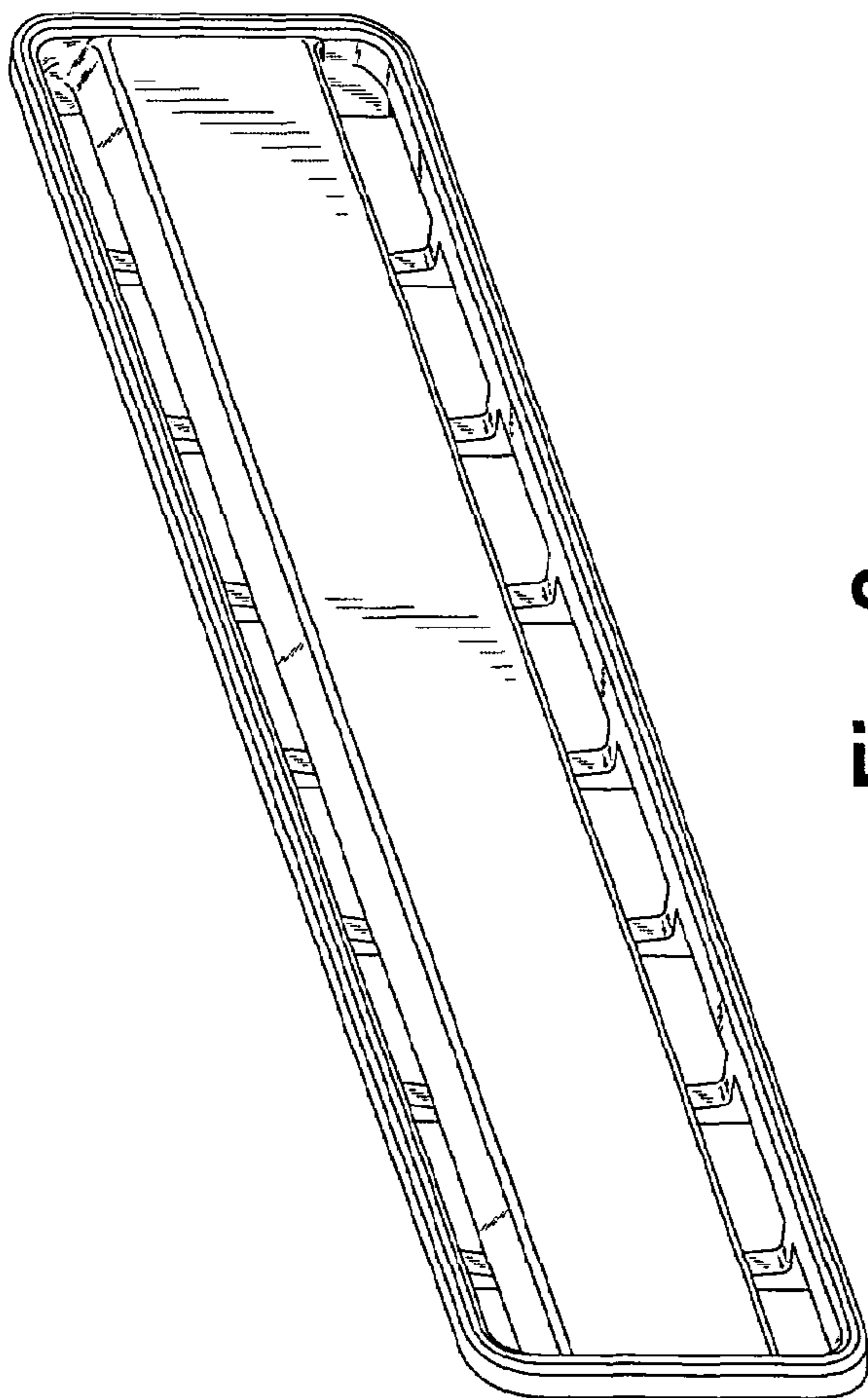


Fig. 2

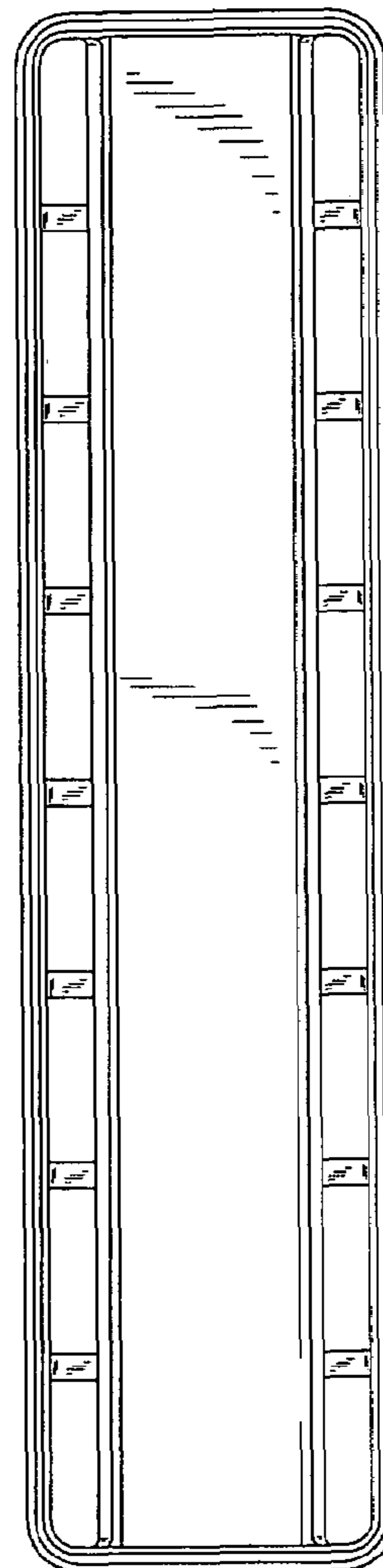


Fig. 3