



US00D591461S

(12) **United States Design Patent**  
**McEwan**

(10) **Patent No.:** **US D591,461 S**  
(45) **Date of Patent:** **\*\* Apr. 28, 2009**

(54) **EQUESTRIAN SPORT BOOT**

(75) Inventor: **Wilhelmina McEwan**, Greenville, SC  
(US)

(73) Assignee: **Moxie Equestrian, Inc.**, Greenville, SC  
(US)

(\*\*) Term: **14 Years**

(21) Appl. No.: **29/319,653**

(22) Filed: **Jun. 12, 2008**

(51) **LOC (9) Cl.** ..... **30-01**

(52) **U.S. Cl.** ..... **D30/146**

(58) **Field of Classification Search** ..... D30/145,  
D30/146, 147, 149; 54/82, 65, 79.3, 79.4,  
54/68, 80.4; D29/121.1, 120.1; 2/22, 24,  
2/16, 455, 242; 482/105, 144; 128/882,  
128/865, 878, 879, 881, 892-894, 82.1, 165,  
128/362, 37.9, 382, 402, DIG. 15, 783, 8 C,  
128/8 R, 87, 82; 602/6, 8, 23, 27-29, 65-66,  
602/75, 62, 2, 44, 76, 78; D24/192, 206,  
D24/190; D2/902, 909, 901, 910-912, 970,  
D2/921, 946; D21/764, 771; 36/111, 83,  
36/104, 110, 115, 117.1, 117.5, 140, 7.1 R,  
36/50.5, 112, 50.1, 93, 45, 54, 2 R, 2 A; 119/850,  
119/876, 856, 857, 863, 865, 816, 126, 127;  
607/115, 149

See application file for complete search history.

(56) **References Cited**

**U.S. PATENT DOCUMENTS**

126,479 A \* 5/1872 Murray et al. .... 54/82  
290,096 A \* 12/1883 O'Brien ..... 54/82  
333,982 A 1/1886 Tyson

(Continued)

**OTHER PUBLICATIONS**

Dover Saddlery, www.doversaddlery.com, David Splint Boots,  
website, Oct. 8, 2008, 1, Dover Saddlery, Littleton, MA.

(Continued)

*Primary Examiner*—Susan Moon Lee

(74) *Attorney, Agent, or Firm*—J. Bennett Mullinax, LLC

(57) **CLAIM**

The ornamental design for an equestrian sport boot, as shown and described.

**DESCRIPTION**

FIG. 1 is a perspective view of an equestrian sport boot according to a first embodiment of the present invention;

FIG. 2 is a top plan view of an equestrian sport boot shown in FIG. 1;

FIG. 3 is a rear plan view of an equestrian sport boot shown in FIG. 1;

FIG. 4 is a front elevation view of an equestrian sport boot shown in FIG. 1;

FIG. 5 is a rear elevation view of an equestrian sport boot shown in FIG. 1;

FIG. 6 is a left side elevation view of an equestrian sport front boot shown in FIG. 1;

FIG. 7 is a right side elevation view of an equestrian sport boot shown in FIG. 1;

FIG. 8 is a perspective view of an equestrian sport boot according to a second embodiment of the present invention.

FIG. 9 is a top plan view of an equestrian sport boot shown in FIG. 8;

FIG. 10 is a rear plan view of an equestrian sport boot shown in FIG. 8;

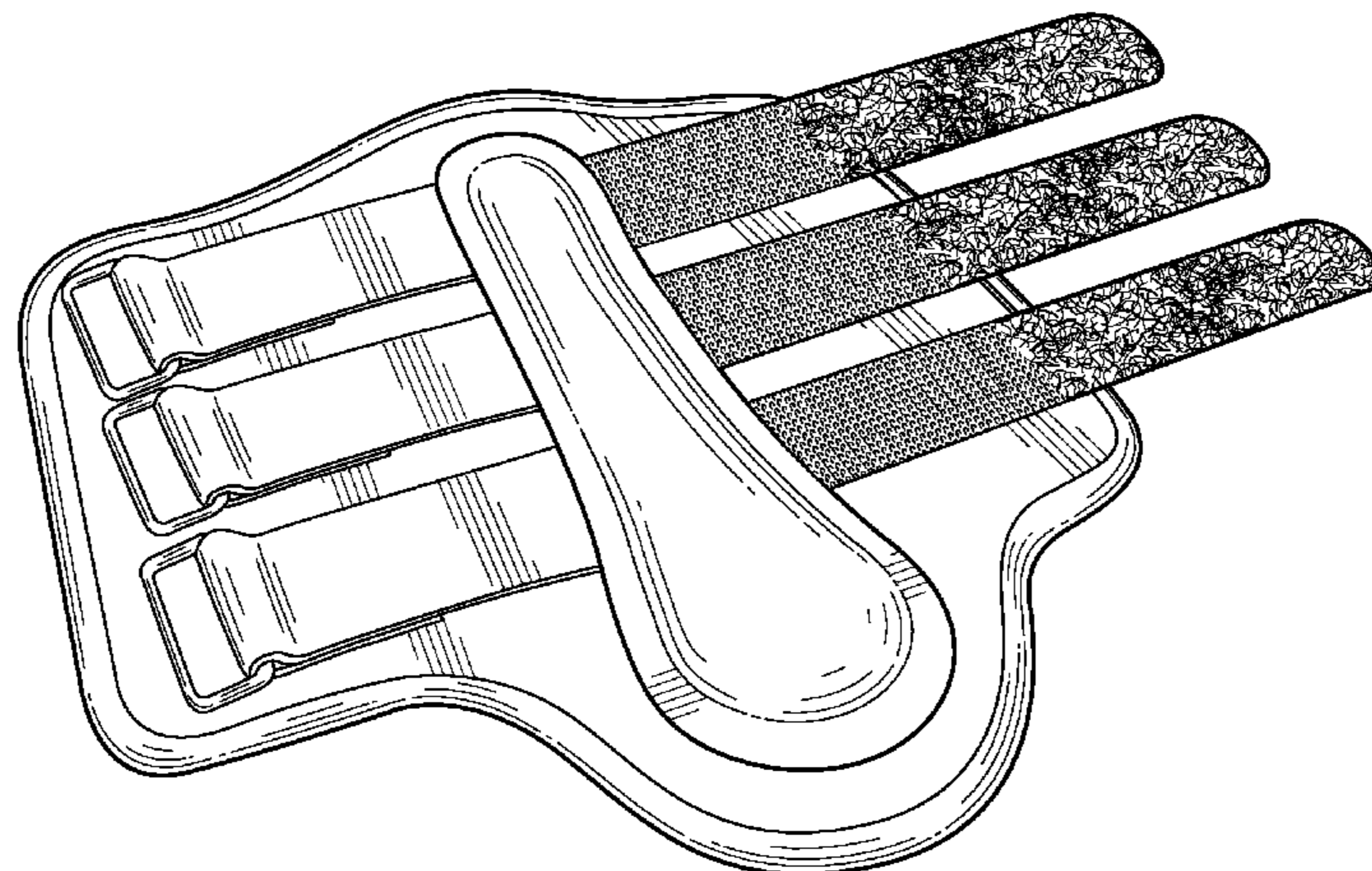
FIG. 11 is a front elevation view of an equestrian sport boot shown in FIG. 8;

FIG. 12 is a rear elevation view of an equestrian sport boot shown in FIG. 8;

FIG. 13 is a right side elevation view of an equestrian sport boot shown in FIG. 8; and,

FIG. 14 is a left side elevation view of an equestrian sport boot shown in FIG. 8.

**1 Claim, 10 Drawing Sheets**



# US D591,461 S

Page 2

## U.S. PATENT DOCUMENTS

1,395,689	A *	11/1921	McKenzie	54/82	5,301,370	A *	4/1994	Henson	2/22
1,479,000	A *	1/1924	Keller	54/82	D352,369	S	11/1994	Figoni	
1,527,688	A *	2/1925	Lethern	36/2 R	5,363,632	A	11/1994	Armato	
1,564,245	A	12/1925	Keller		5,579,627	A	12/1996	Vogt	
1,899,471	A	2/1933	Meyer		D383,250	S *	9/1997	Amico	D29/120.1
1,945,226	A	1/1934	Lutsche		5,784,715	A *	7/1998	Buchanan	2/22
D118,006	S *	12/1939	Henderson	D30/146	5,816,032	A *	10/1998	Vogt	54/82
2,246,100	A *	6/1941	Bruno	54/82	5,871,458	A *	2/1999	Detty	602/27
3,209,517	A	10/1965	Hyman		5,910,126	A	6/1999	Wilson	
D209,896	S *	1/1968	Anderson et al.	D29/120.1	6,105,164	A *	8/2000	Huang	2/22
3,405,506	A *	10/1968	Kostur	54/82	6,131,195	A *	10/2000	Foreman	2/22
4,013,070	A *	3/1977	Harroff	602/21	6,151,873	A *	11/2000	Rogers	54/82
4,099,269	A *	7/1978	Porner	2/16	6,508,205	B1 *	1/2003	Zink	119/850
4,140,116	A	2/1979	Hampicke		6,637,034	B1 *	10/2003	Worden	2/24
4,342,185	A *	8/1982	Pellew	54/82	6,883,466	B1 *	4/2005	Chambers	119/850
4,424,809	A *	1/1984	Yovankin	602/62	6,918,236	B2 *	7/2005	Springs	54/82
4,470,411	A	9/1984	Hoyt, Jr.		2004/0031246	A1 *	2/2004	Springs	54/82
D278,470	S *	4/1985	Eghamn	D29/120.1	2004/0055543	A1 *	3/2004	Clement	119/850
D278,567	S *	4/1985	Rasmussen	D29/120.1					
D297,674	S *	9/1988	Pihl et al.	D30/145					
4,834,079	A	5/1989	Benckhuijsen						
4,876,745	A *	10/1989	Richards	2/24					
4,911,150	A *	3/1990	Farley	602/23					
4,974,398	A *	12/1990	Kaski	54/71					
5,115,627	A	5/1992	Scott						
5,152,285	A *	10/1992	Gnegy	607/108					

## OTHER PUBLICATIONS

Dover Saddlery, [www.doversaddlery.com](http://www.doversaddlery.com), Eskadron Cross Country Hind Horse Boots, website, Sep. 25, 2008, 1, Dover Saddlery, Littleton, MA.

Dover Saddlery, [www.doversaddlery.com](http://www.doversaddlery.com), WeatherBeeta Molded Horse Hind Galloping Boots, website, Sep. 25, 2008, 1, Dover Saddlery, Littleton, MA.

\* cited by examiner

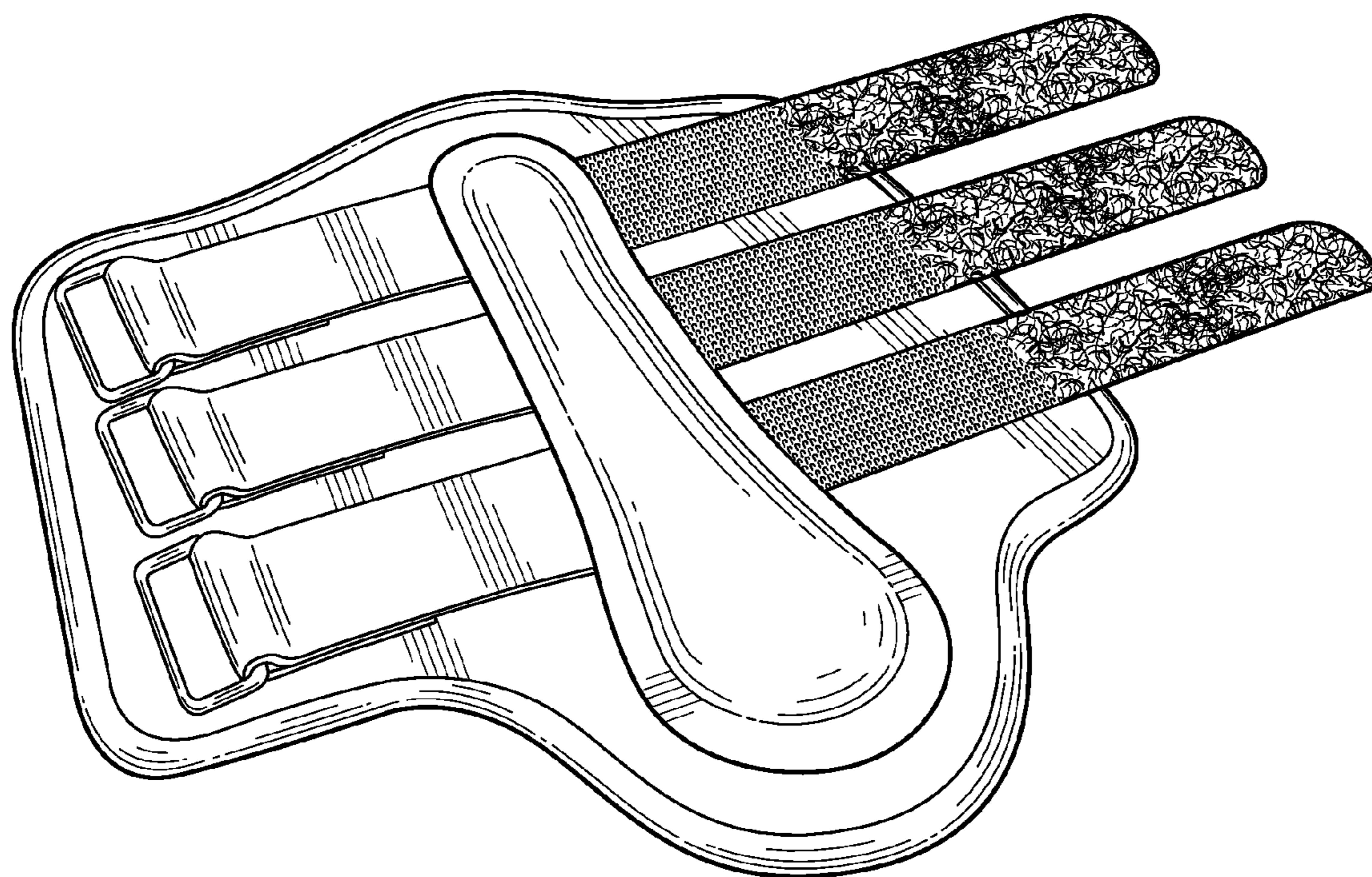


FIG. 1

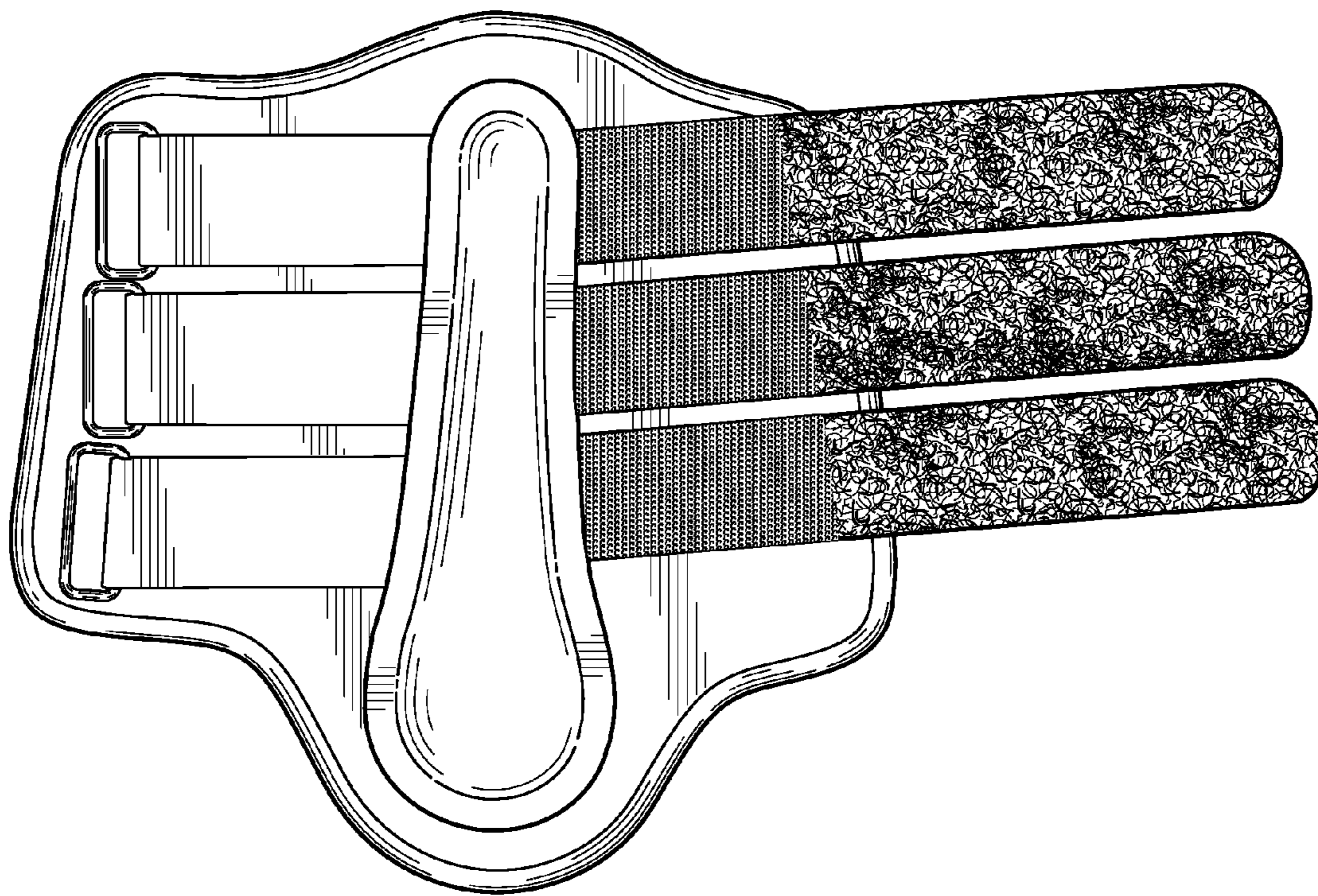
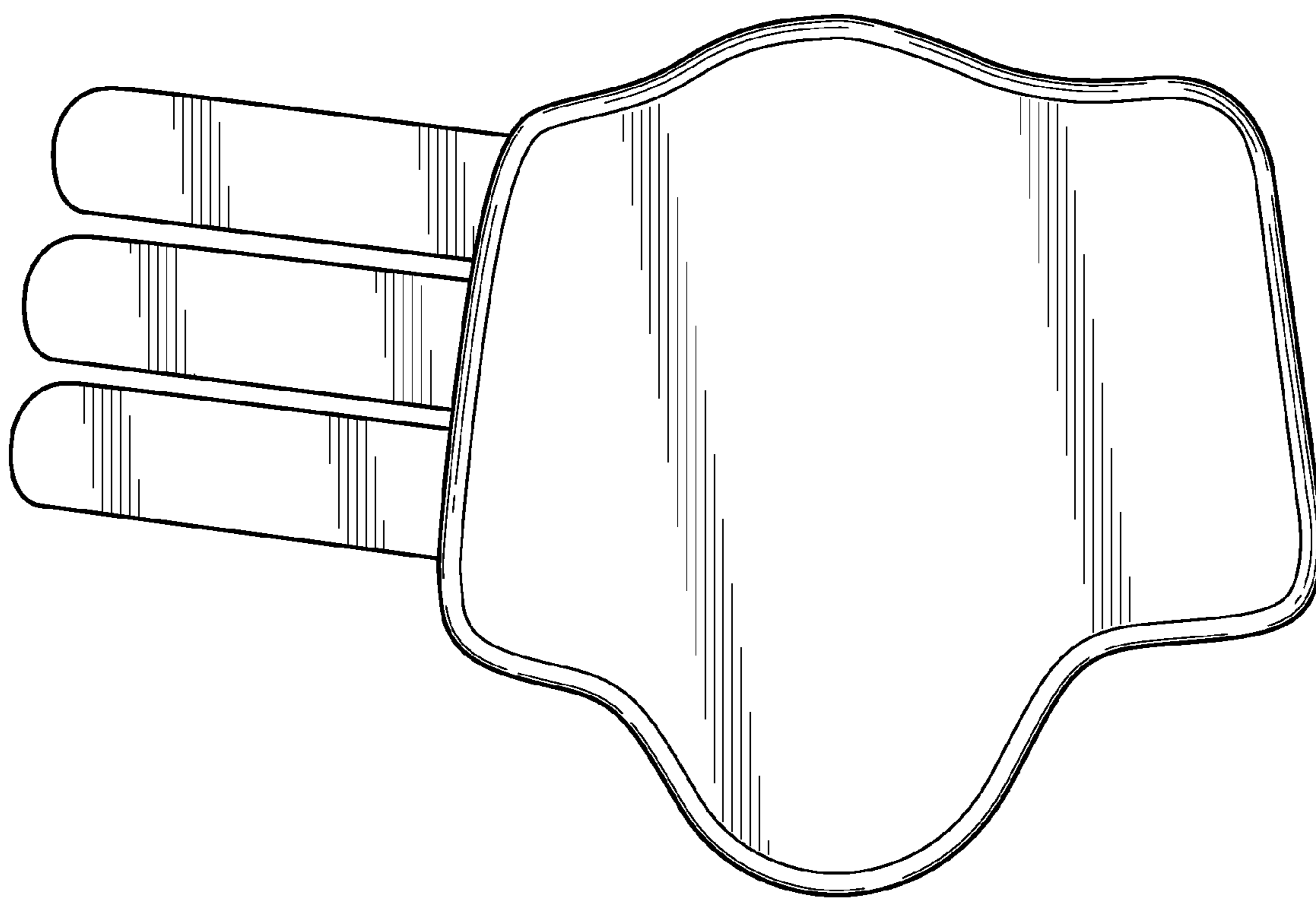


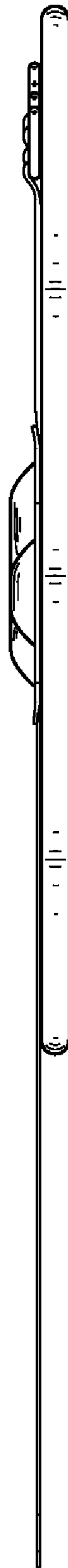
FIG. 2



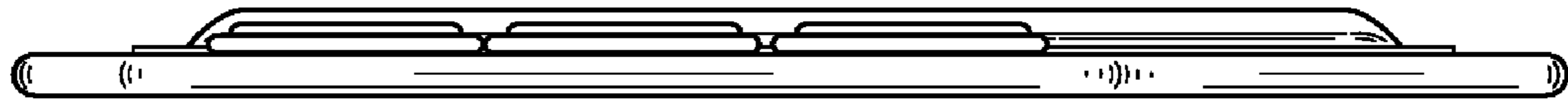
**FIG. 3**



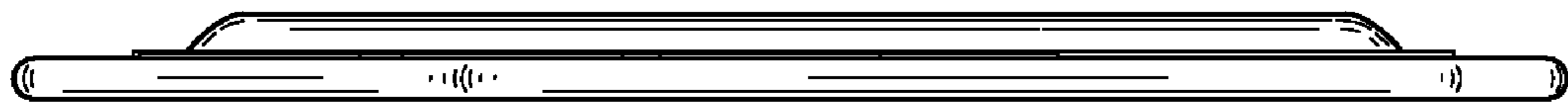
**FIG. 4**



**FIG. 5**



**FIG. 6**



**FIG. 7**

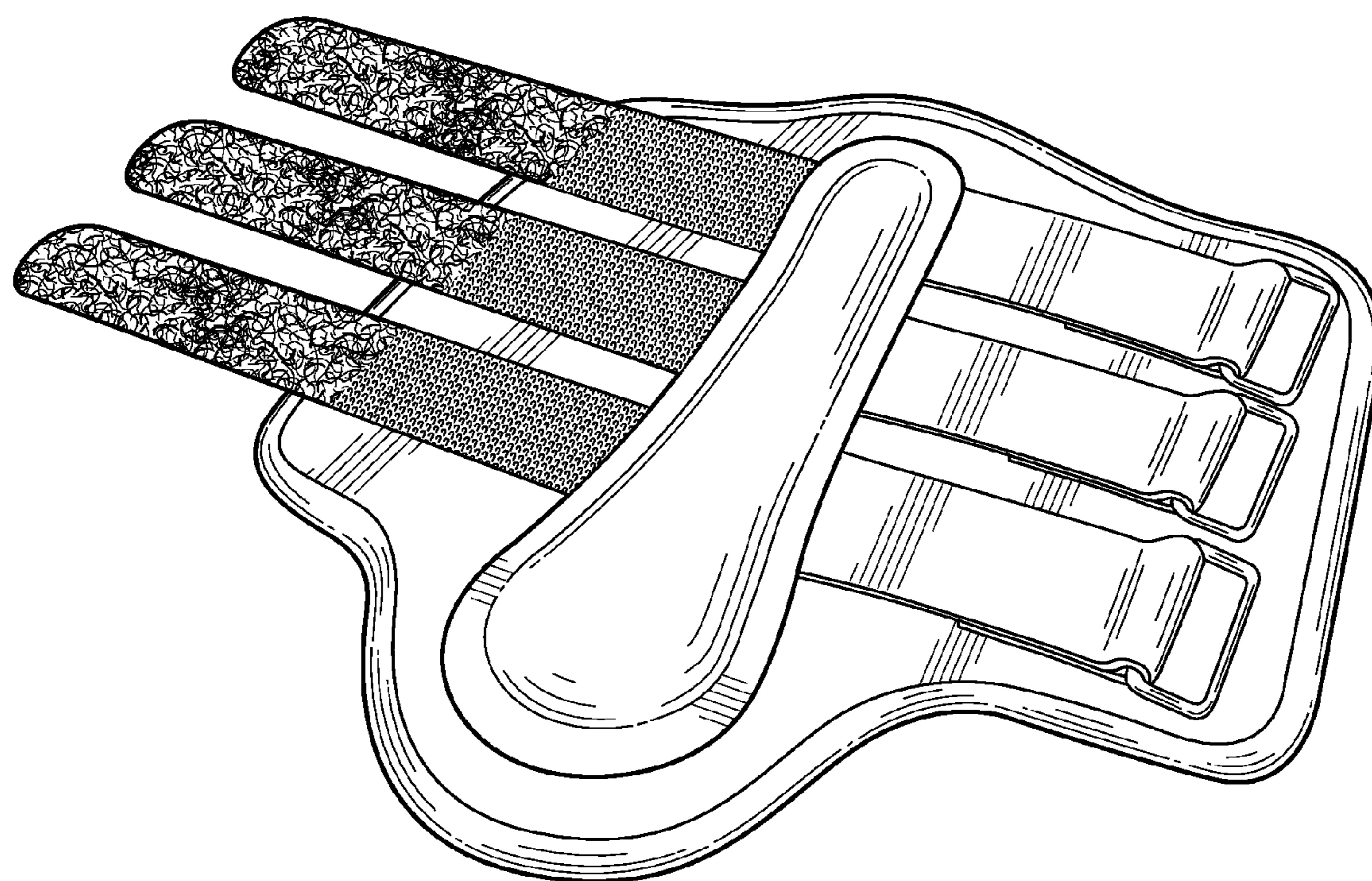


FIG. 8



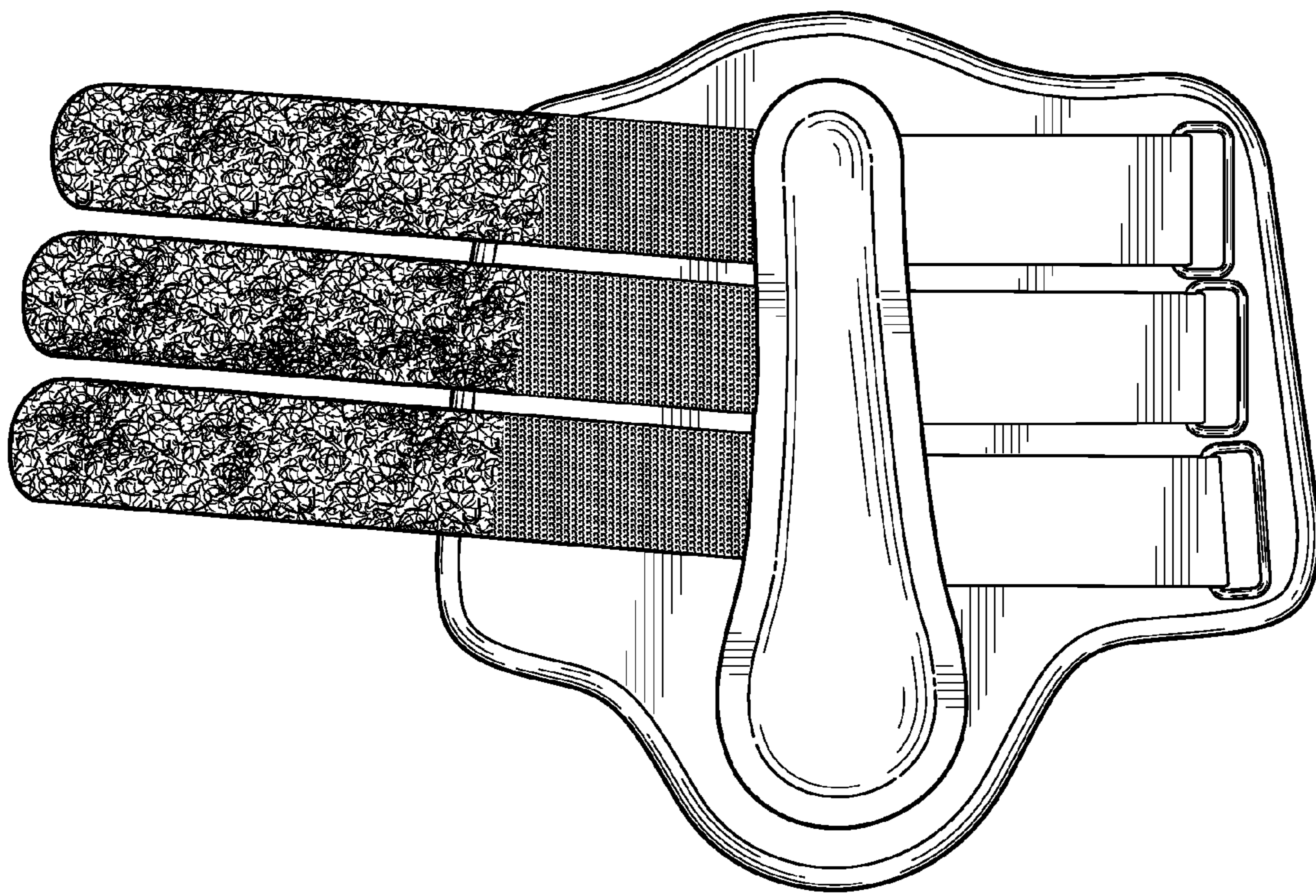
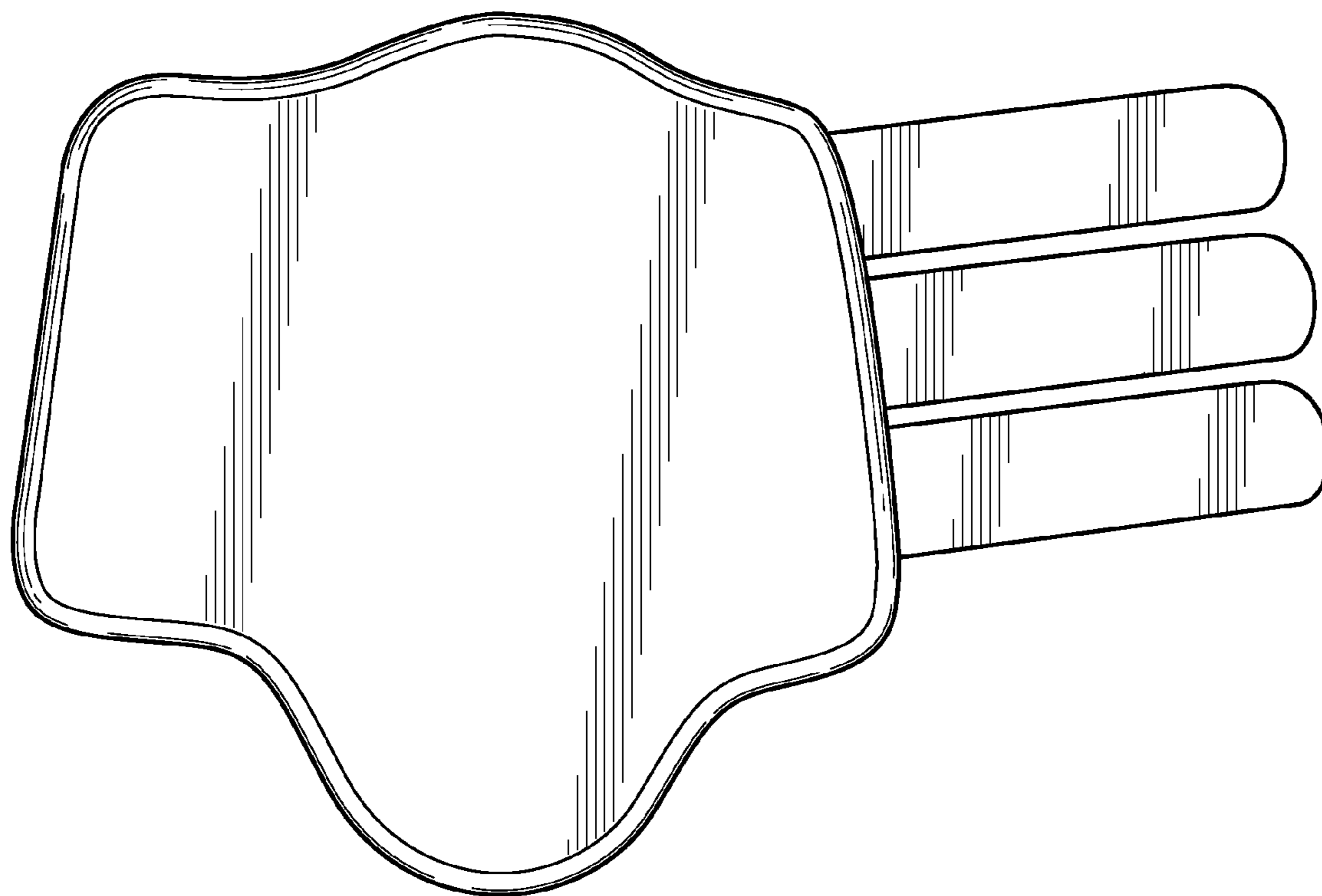
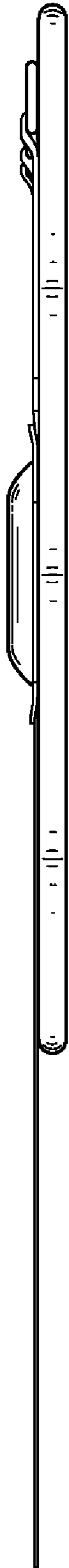


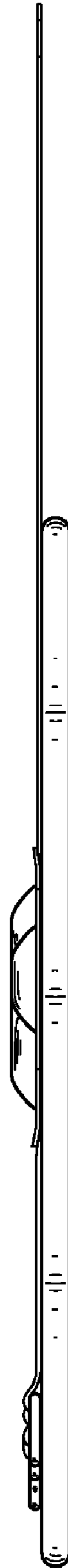
FIG. 9



**FIG. 10**



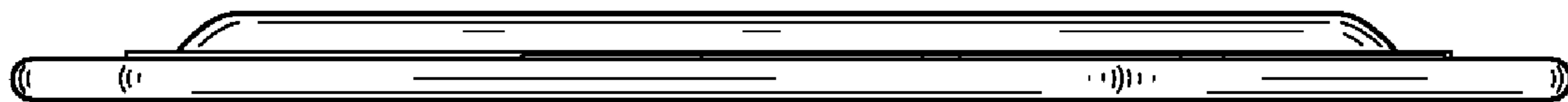
**FIG. 11**



**FIG. 12**



**FIG. 13**



**FIG. 14**