



US00D591458S

(12) **United States Design Patent**
Richardson

(10) **Patent No.:** **US D591,458 S**

(45) **Date of Patent:** **** Apr. 28, 2009**

(54) **ANIMAL SHELTER**

(75) Inventor: **Jed Richardson**, Batavia, IL (US)

(73) Assignee: **Suncast Technologies, LLC**, Palm Beach Gardens, FL (US)

(**) Term: **14 Years**

(21) Appl. No.: **29/297,277**

(22) Filed: **Nov. 8, 2007**

(51) **LOC (9) Cl.** **30-02**

(52) **U.S. Cl.** **D30/112**

(58) **Field of Classification Search** D30/108–109,
D30/112–113, 117–118, 161; 119/163, 165–170,
119/452, 474, 496–498, 500
See application file for complete search history.

(56) **References Cited**

U.S. PATENT DOCUMENTS

5,121,710	A *	6/1992	Gonzalez	119/498
5,289,800	A *	3/1994	Walton	119/166
D420,470	S *	2/2000	Kolozsvari et al.	D30/108
D479,370	S *	9/2003	Neves	D30/161
D486,613	S *	2/2004	Stern et al.	D30/158
D488,266	S *	4/2004	VanSkiver	D30/108

D501,962	S *	2/2005	Neves	D30/161
6,854,425	B1 *	2/2005	Hung	119/498
7,104,221	B2 *	9/2006	Simon	119/498
2003/0192483	A1 *	10/2003	Saxe et al.	119/498

* cited by examiner

Primary Examiner—Cathy Anne MacCormac

(74) *Attorney, Agent, or Firm*—McHale & Slavin, P.A.

(57) **CLAIM**

The ornamental design for an animal shelter, as shown and described.

DESCRIPTION

FIG. 1 is a front perspective view of the animal shelter of the instant invention;

FIG. 2 is a rear perspective view thereof;

FIG. 3 is a front view thereof;

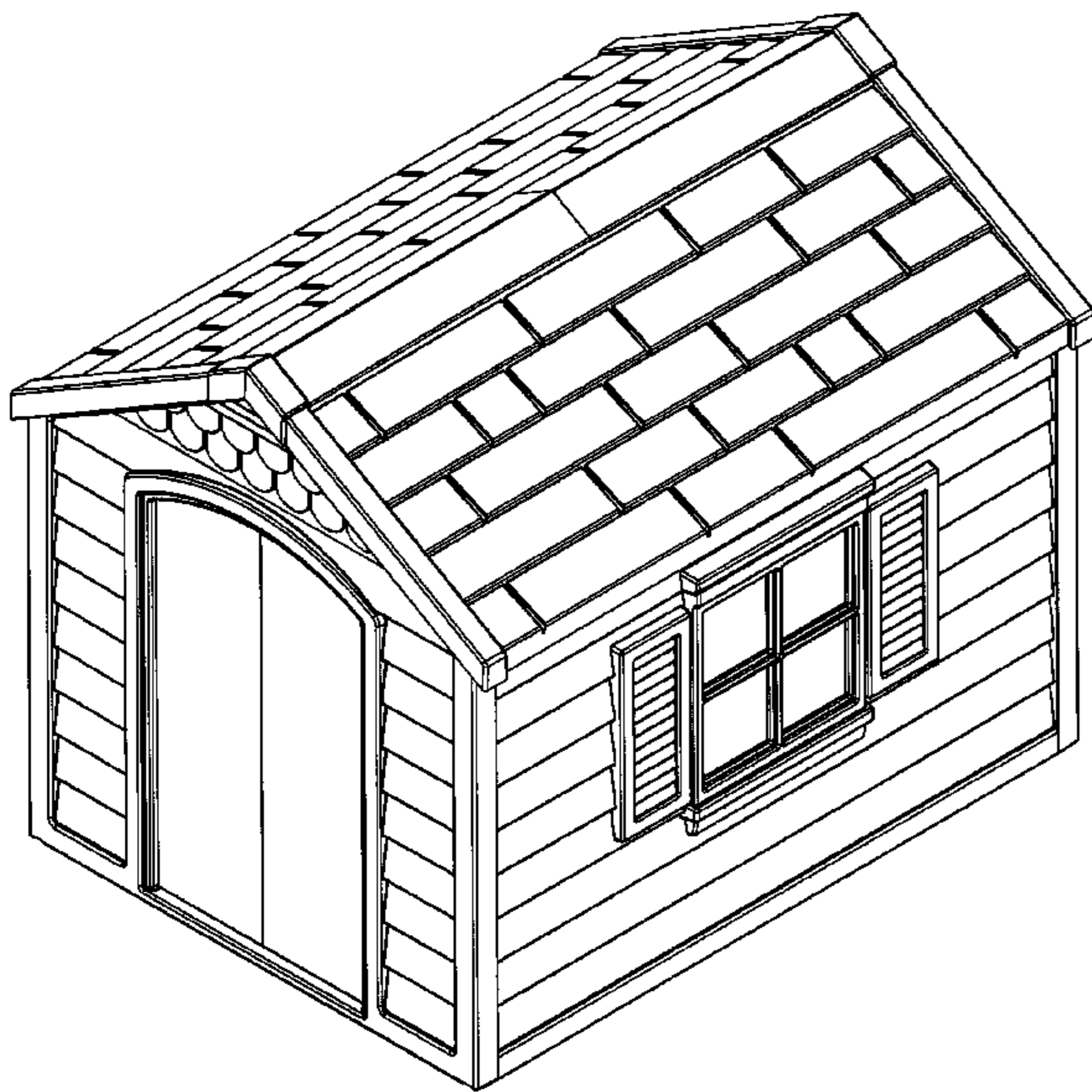
FIG. 4 is a rear view thereof;

FIG. 5 is a left side view thereof;

FIG. 6 is a right side view thereof; and,

FIG. 7 is a top view thereof.

1 Claim, 7 Drawing Sheets



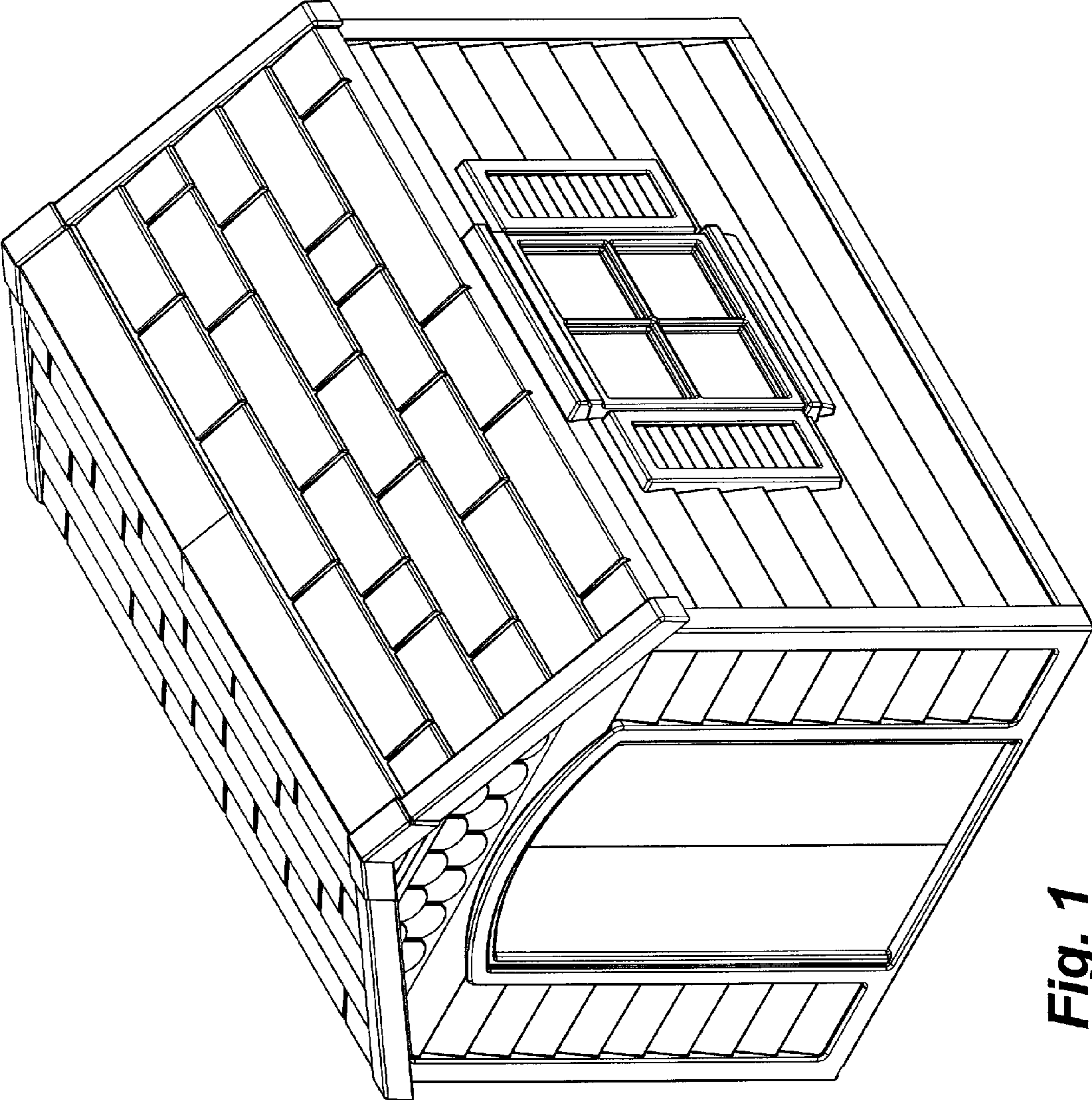


Fig. 1

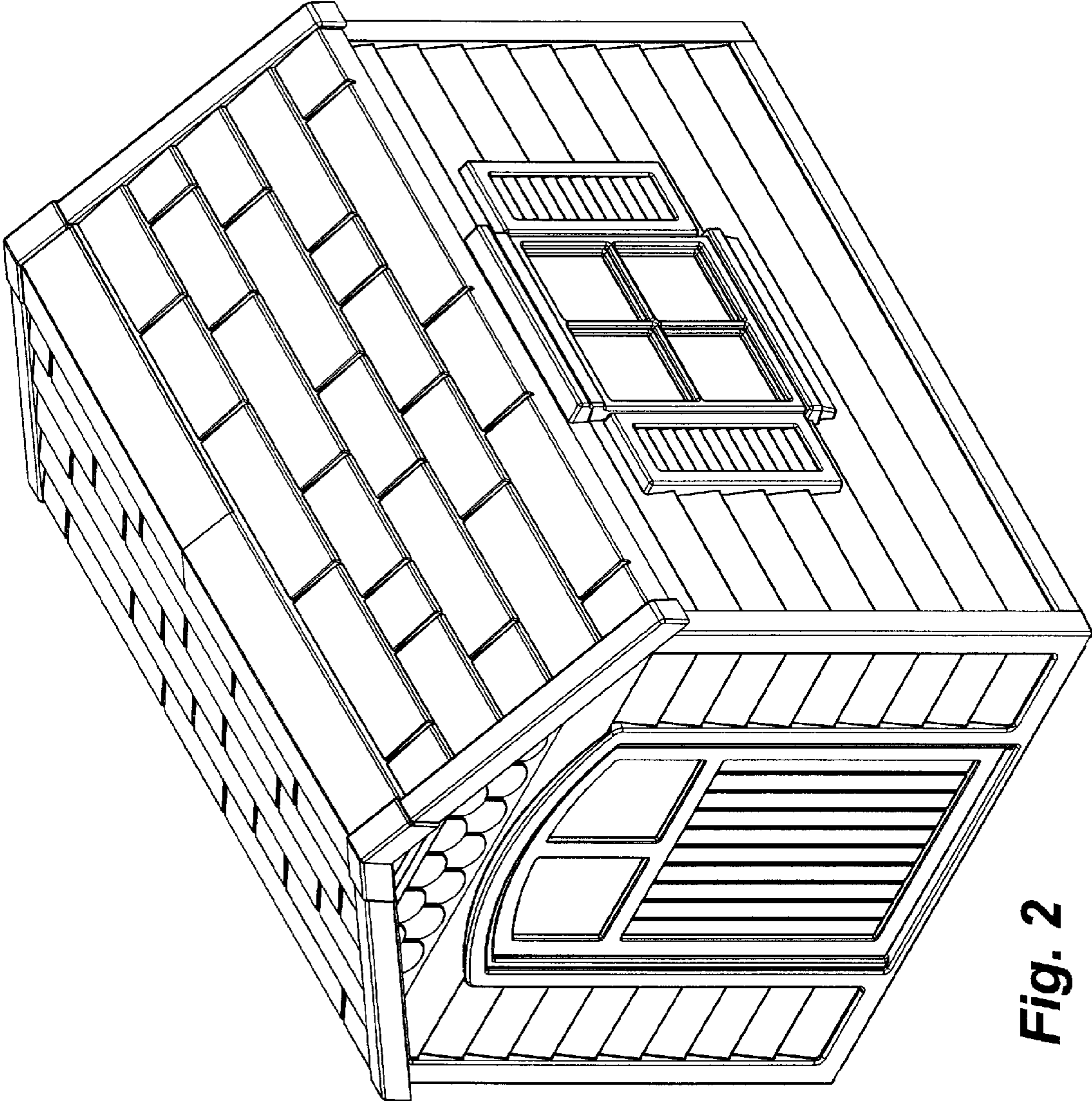


Fig. 2

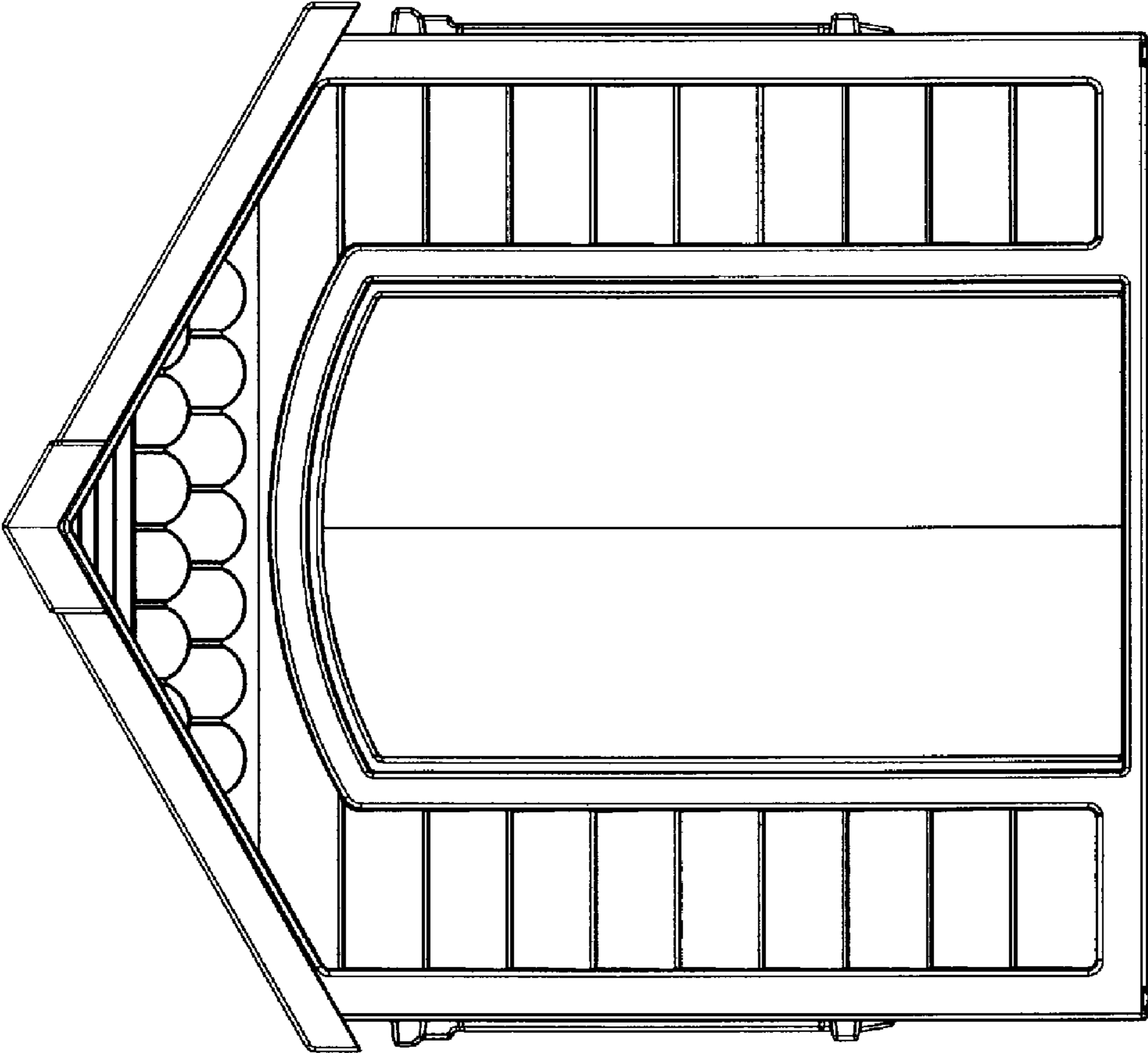


Fig. 3

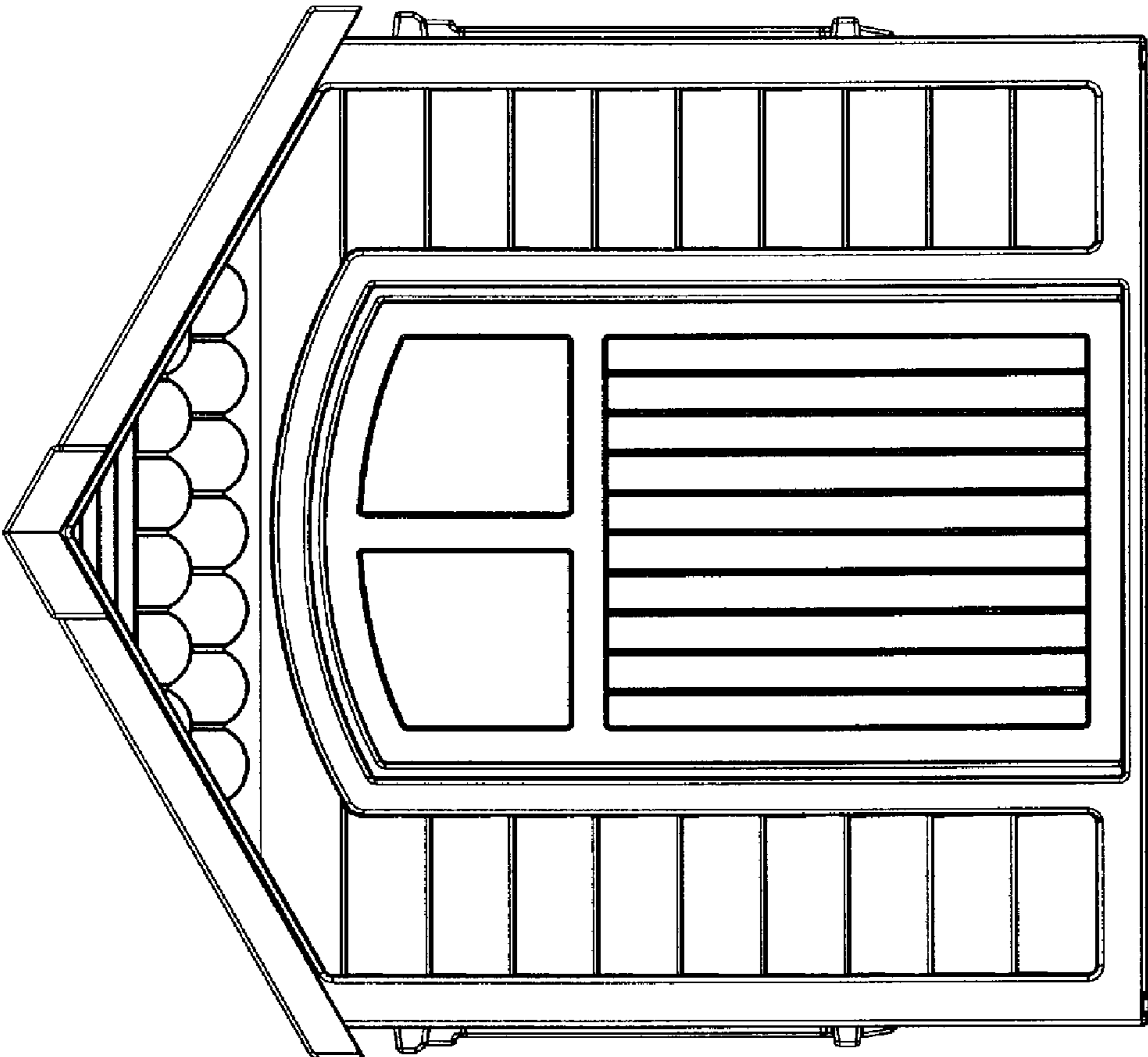


Fig. 4

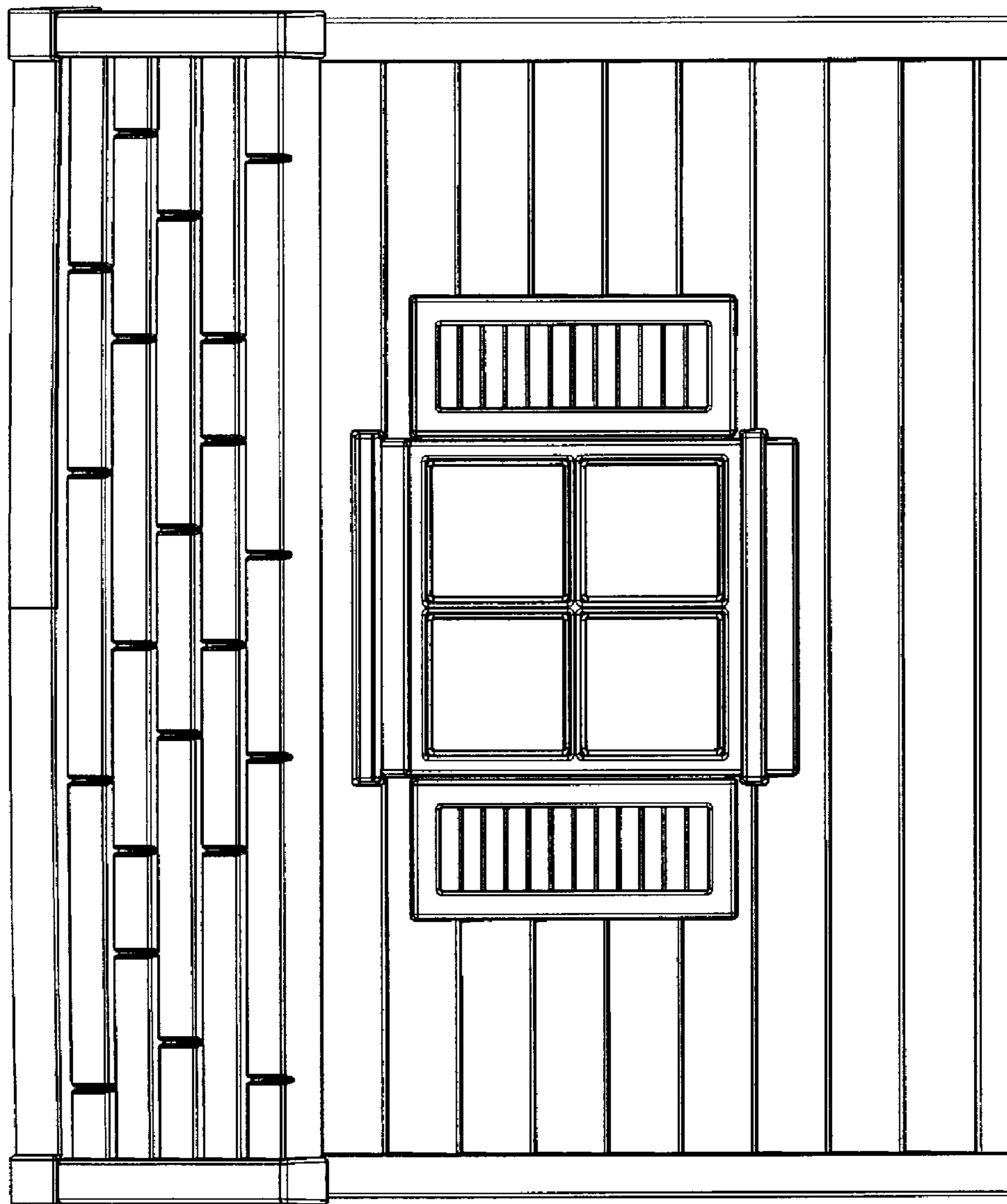


Fig. 5

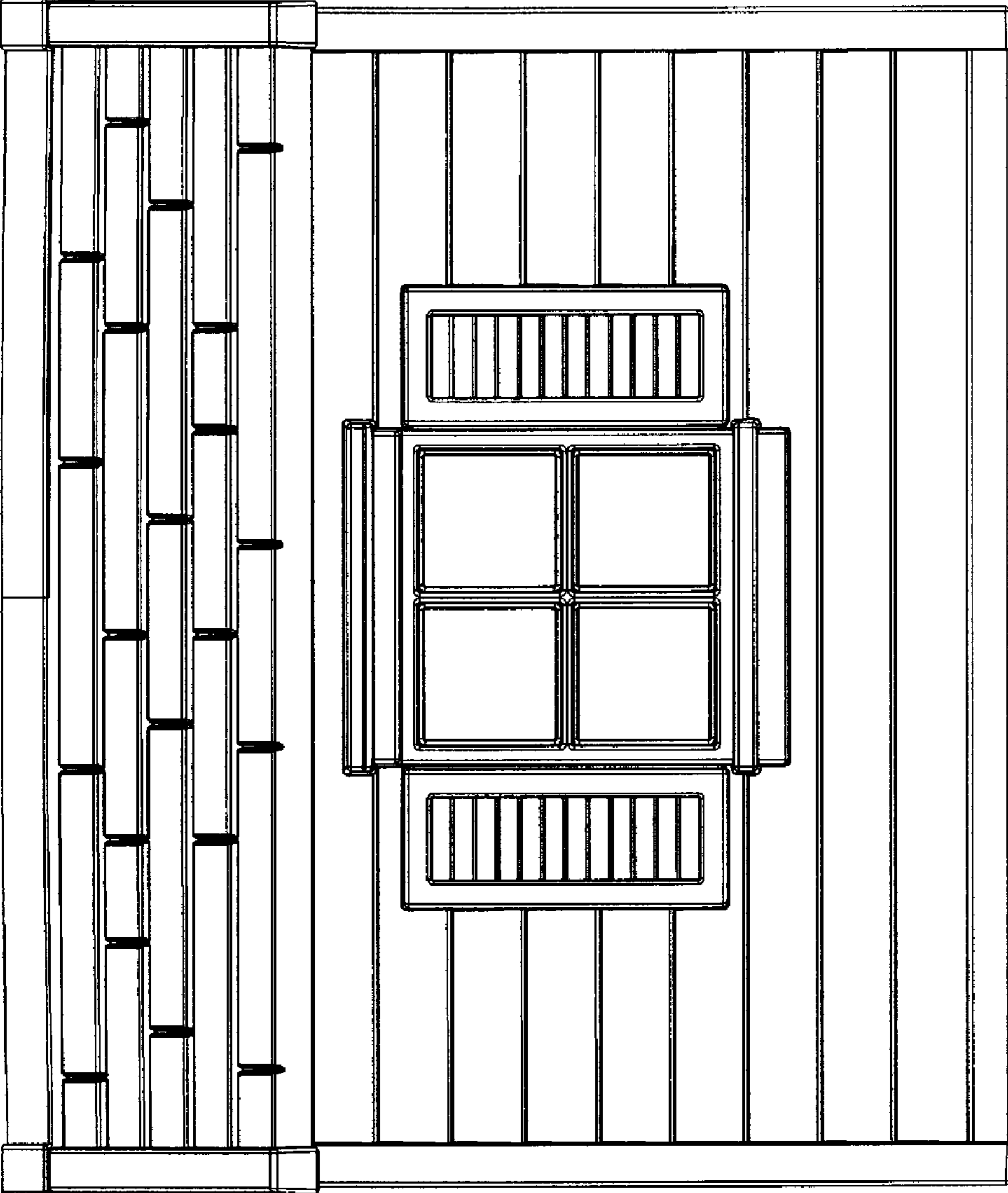


Fig. 6

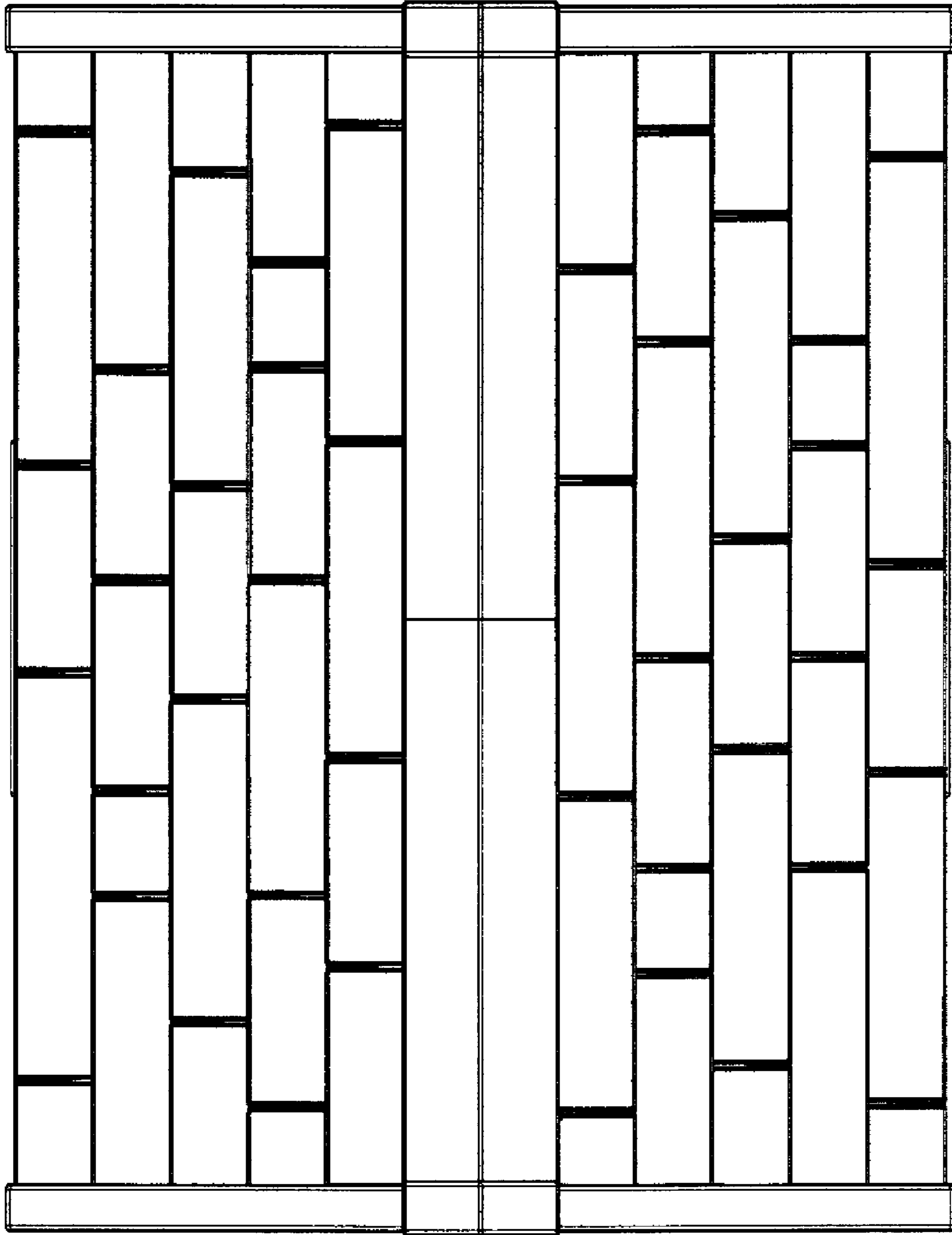


Fig. 7