

US00D591449S

(12) **United States Design Patent**
Schuyler

(10) **Patent No.:** **US D591,449 S**
(45) **Date of Patent:** **** Apr. 28, 2009**

(54) **ORNAMENT FOR LAMP**

(75) Inventor: **Andrew Schuyler**, Colchester, VT (US)

(73) Assignee: **Schonbek Worldwide Lighting, Inc.**,
Plattsburgh, NY (US)

(**) Term: **14 Years**

(21) Appl. No.: **29/258,045**

(22) Filed: **Apr. 14, 2006**

(51) **LOC (9) Cl.** **26-99**

(52) **U.S. Cl.** **D26/154**

(58) **Field of Classification Search** D26/118,
D26/76, 120, 121, 77, 141, 128, 78, 3, 88,
D26/85, 87, 65, 67, 68, 81, 84, 155, 145,
D26/142, 113, 138, 57, 72, 73, 75, 82, 89,
D26/93, 109, 108, 143, 152, 154, 119; D11/90;
D25/124; D10/114; D13/135, 134; 362/298,
362/555, 576, 581, 147, 151, 153, 217, 219,
362/235, 241, 279, 290, 297, 325, 404, 405,
362/410, 800

See application file for complete search history.

(56) **References Cited**

U.S. PATENT DOCUMENTS

455,924 A *	7/1891	Naf	63/32
D79,249 S *	8/1929	Rosenblatt	D26/85
D239,534 S *	4/1976	Michaeli	D7/396.2
D242,738 S *	12/1976	Michaeli	D26/136
D272,657 S *	2/1984	Caldwell	D26/87
D280,446 S *	9/1985	Ishii	D26/130
D370,642 S *	6/1996	Stafford	D11/90
D515,728 S *	2/2006	Yando	D26/153
D518,225 S *	3/2006	Yando et al.	D26/142

OTHER PUBLICATIONS

Bellacor Lighting and Home Furnishings, http://www.bellacor.com/detail.cfm?Cat=38&ItemID=4095&Loc=Product_Search&Page=1&UserID=85F173A0-F6CB-A74B-56262, Crystal Table Lamp, Bellacor No. 64095 (pp. 1-3).
Florida Design, vol. 11, No. 3, p. 296, (pp. 1).
Strass Swarovski Crystal Lighting Price List 2006, Part No. 8755, Kite Pear Shape, p. 21, (pp. 1).

* cited by examiner

Primary Examiner—Cathron C Brooks

Assistant Examiner—Kevin K Rudzinski

(74) *Attorney, Agent, or Firm*—Heslin Rothenberg Farley & Mesiti P.C.

(57) **CLAIM**

The ornamental design for an ornament for lamp, as shown and described.

DESCRIPTION

This application is related to concurrently filed U.S. application Ser. No. 29/258,044, now U.S. Pat. No. D 546,496, and U.S. application Ser. No. 29/258,043, now U.S. Pat. No. D 544,632, the full disclosures of which are incorporated herein by reference.

FIG. 1 is a perspective view of an ornament for lamp of the present invention;

FIG. 2 is a front elevation view thereof;

FIG. 3 is a right-side elevation view thereof;

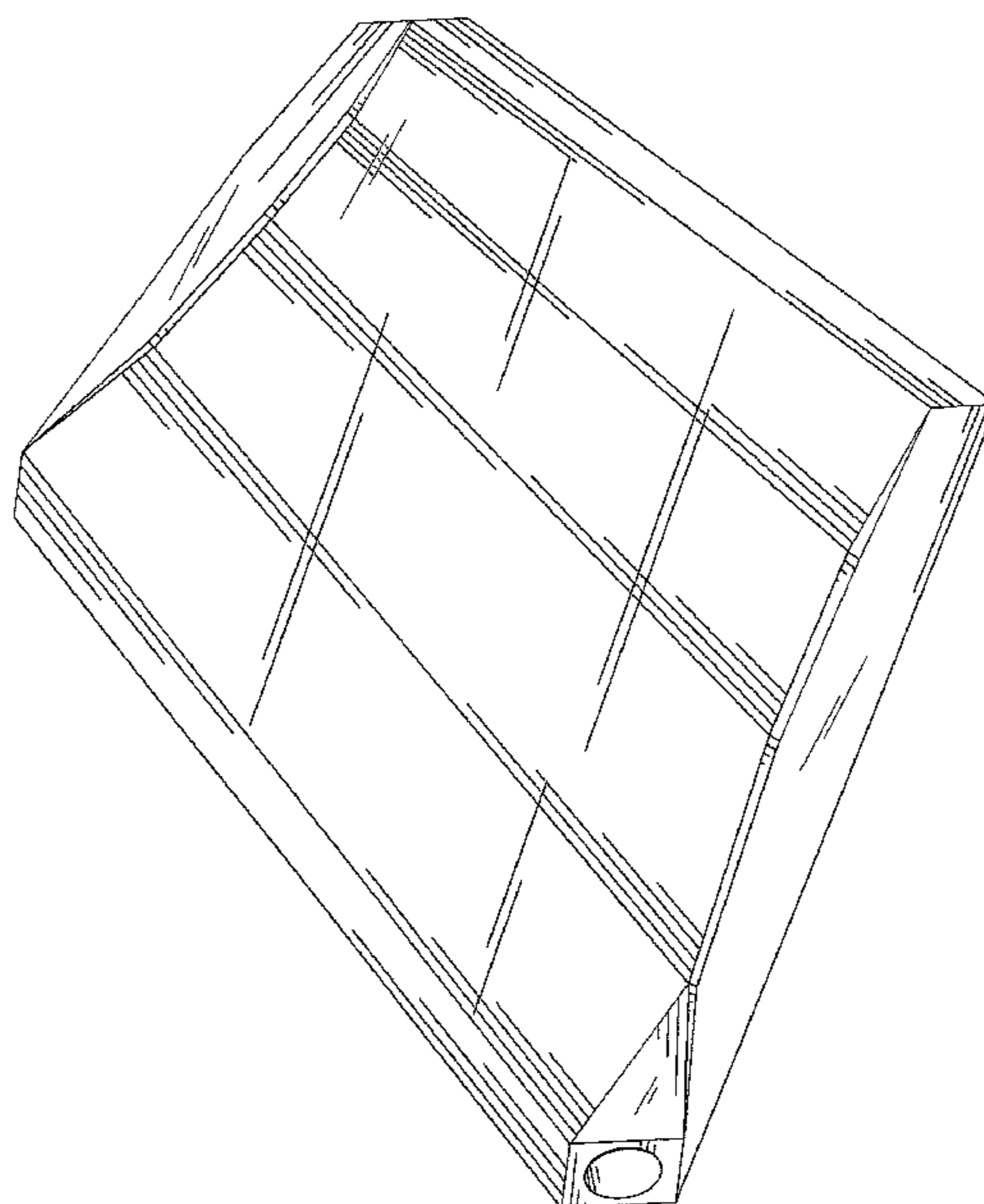
FIG. 4 is a rear elevation view thereof;

FIG. 5 is a left-side elevation view thereof;

FIG. 6 is a top plan view thereof; and,

FIG. 7 is a bottom plan view thereof.

1 Claim, 7 Drawing Sheets



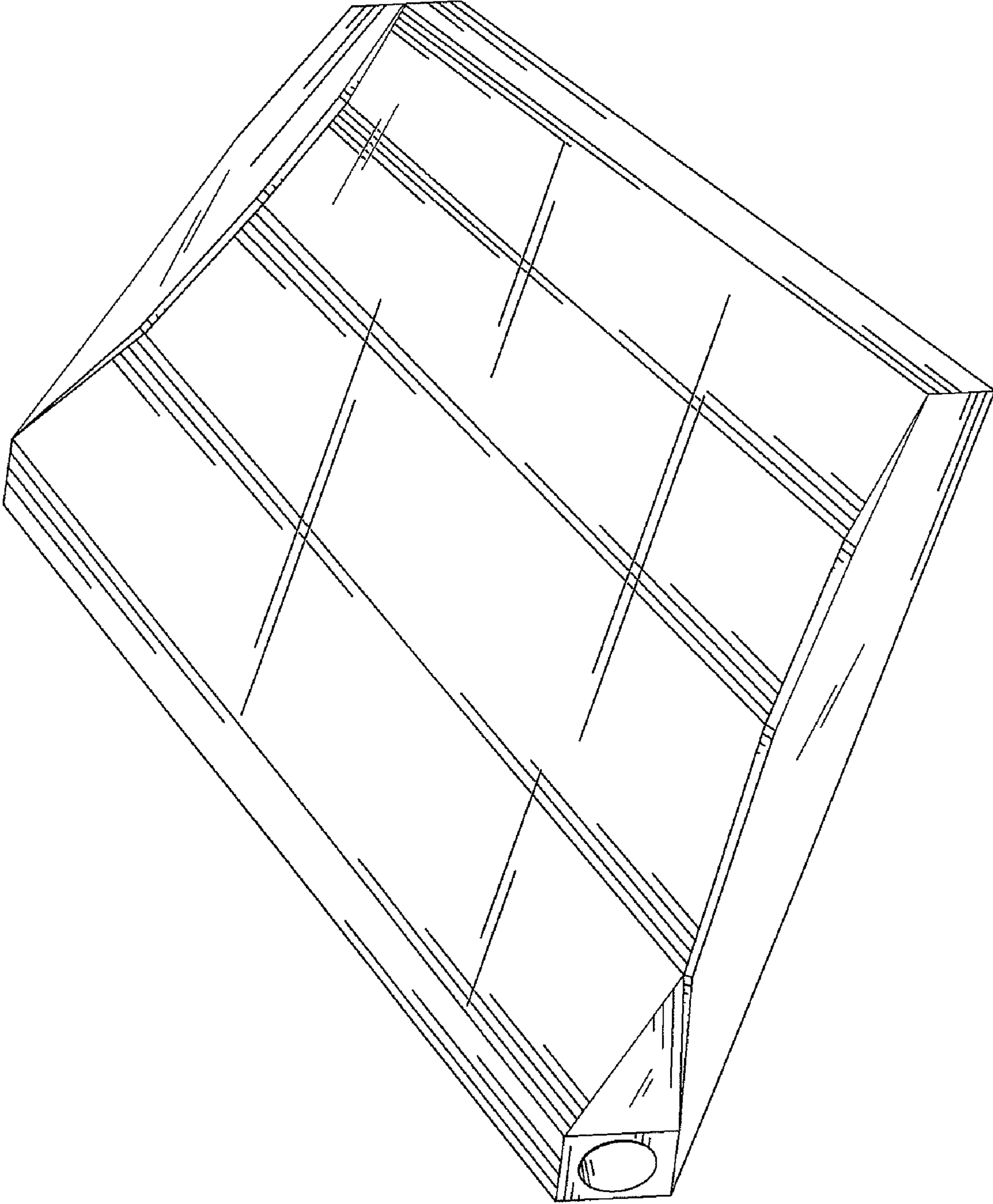


FIG. 1

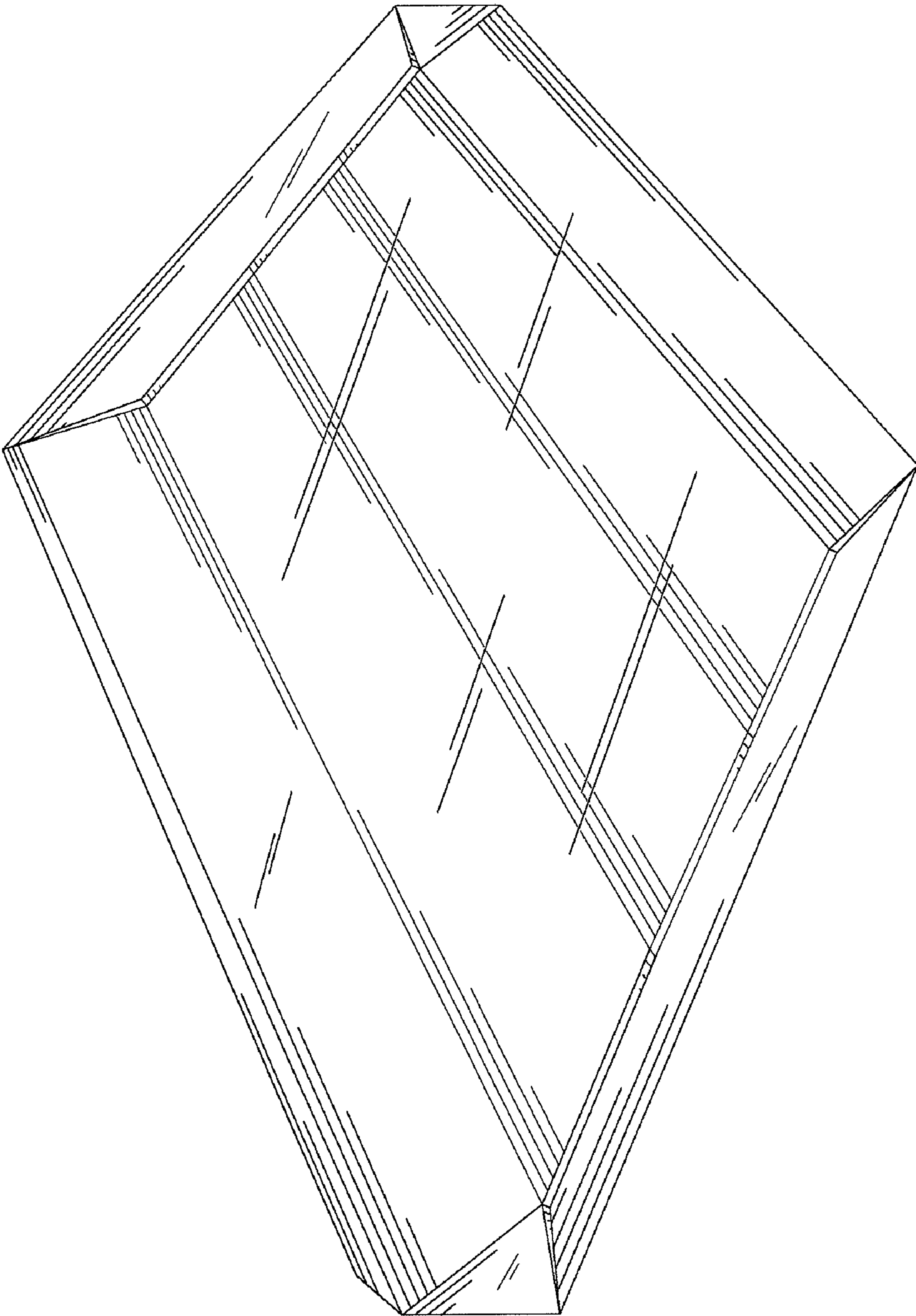


FIG. 2

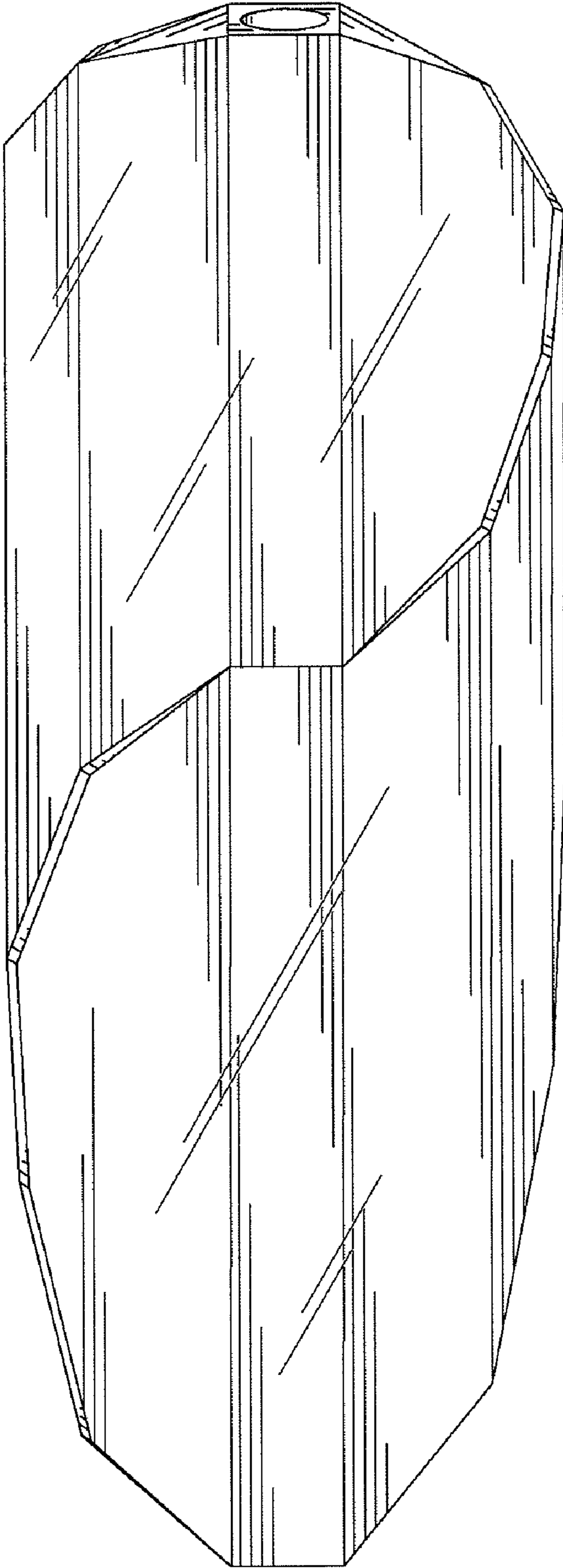


FIG. 3

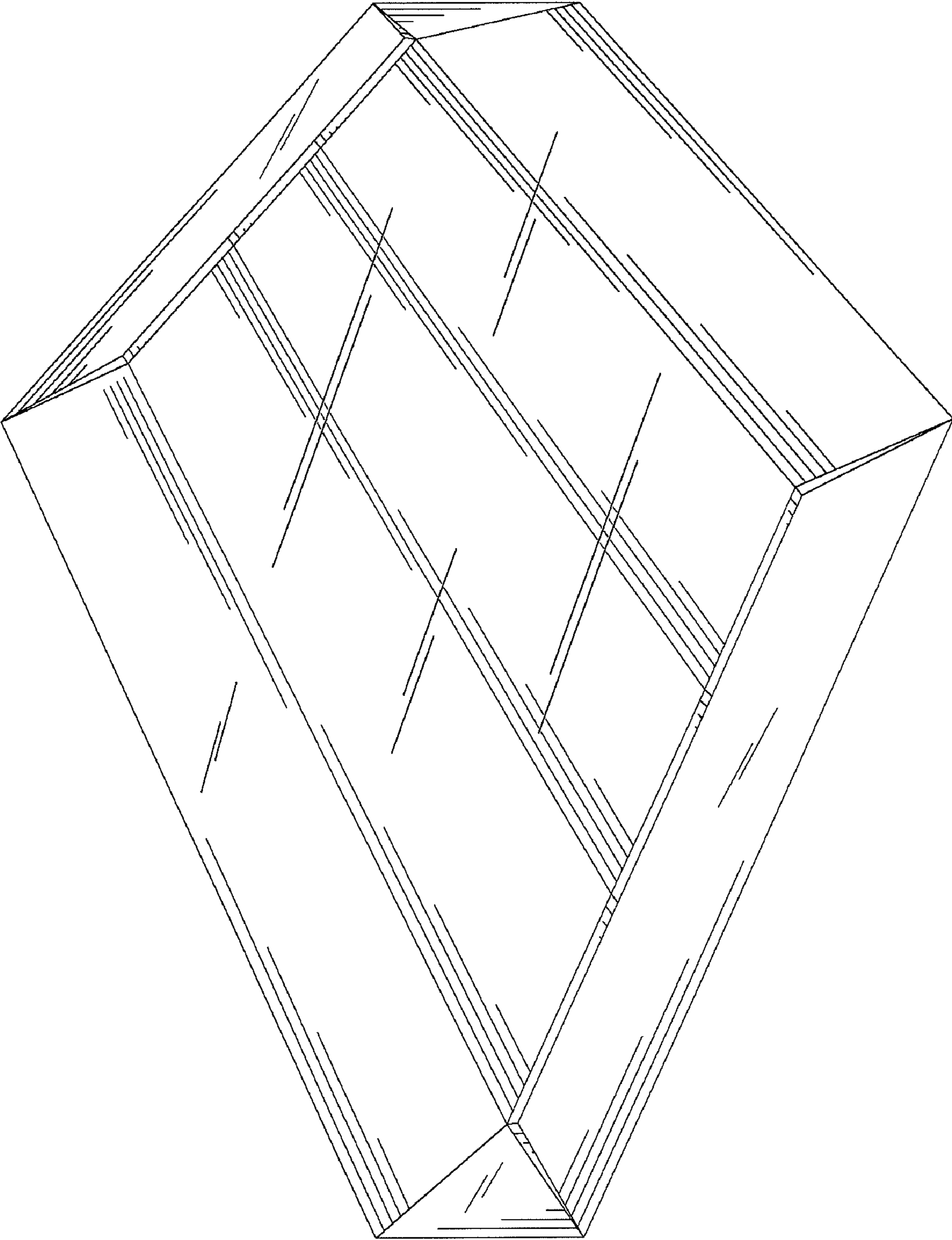


FIG. 4

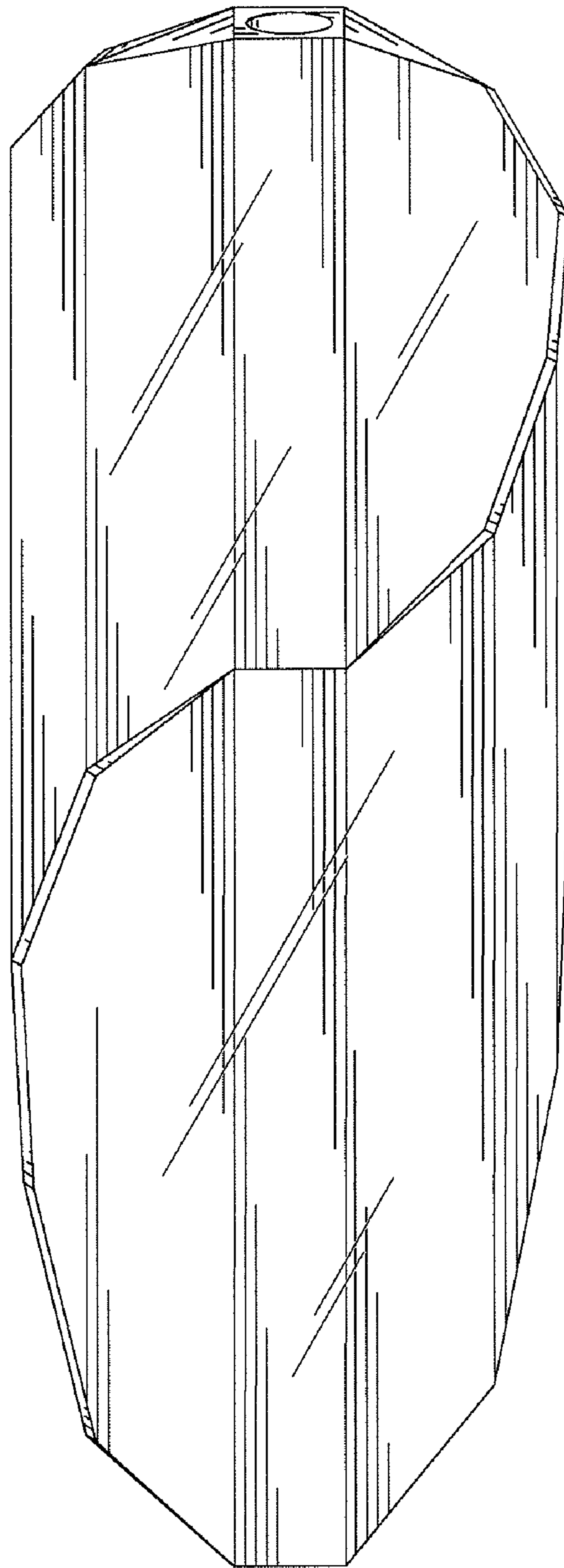


FIG. 5

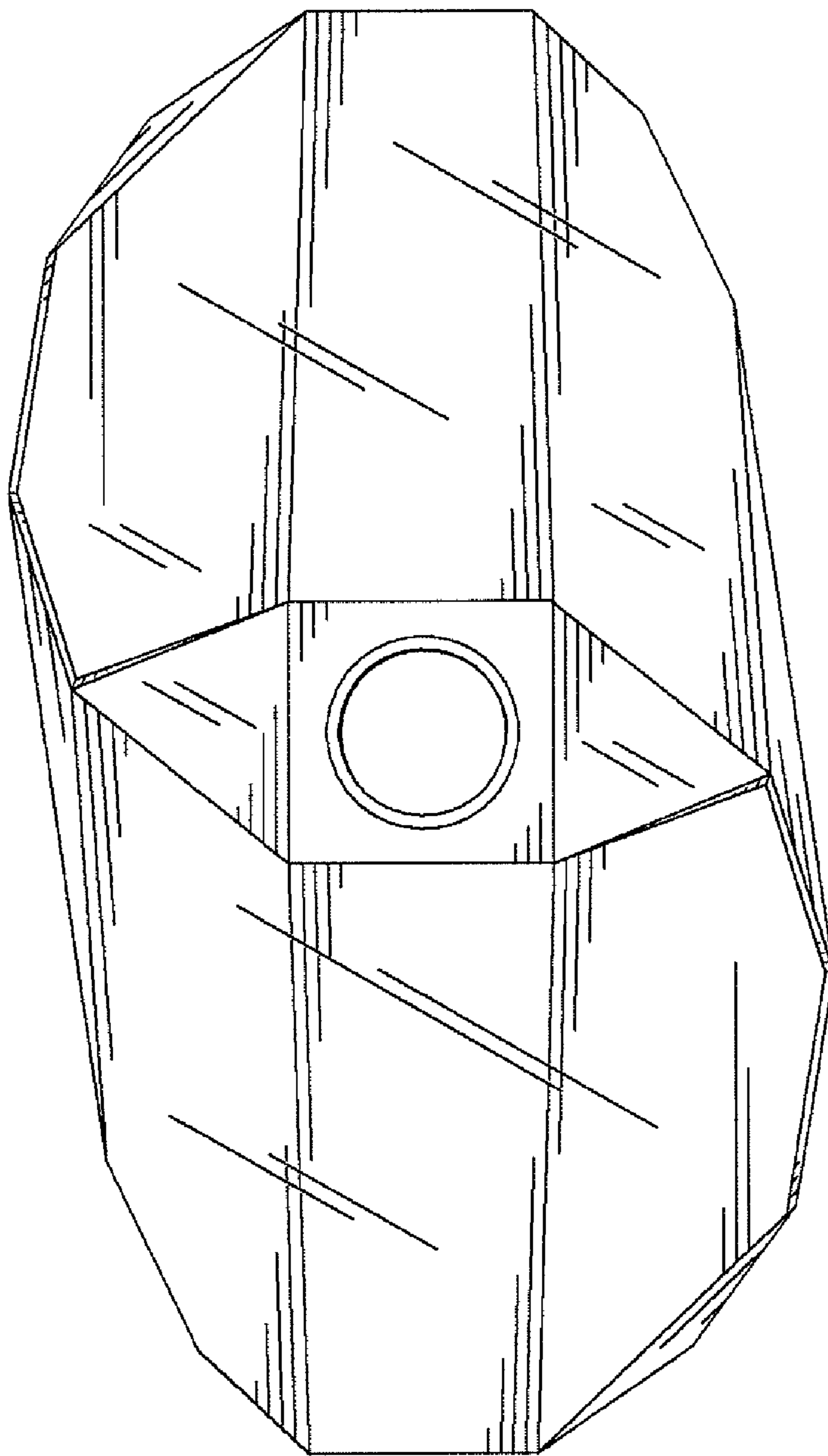


FIG. 6

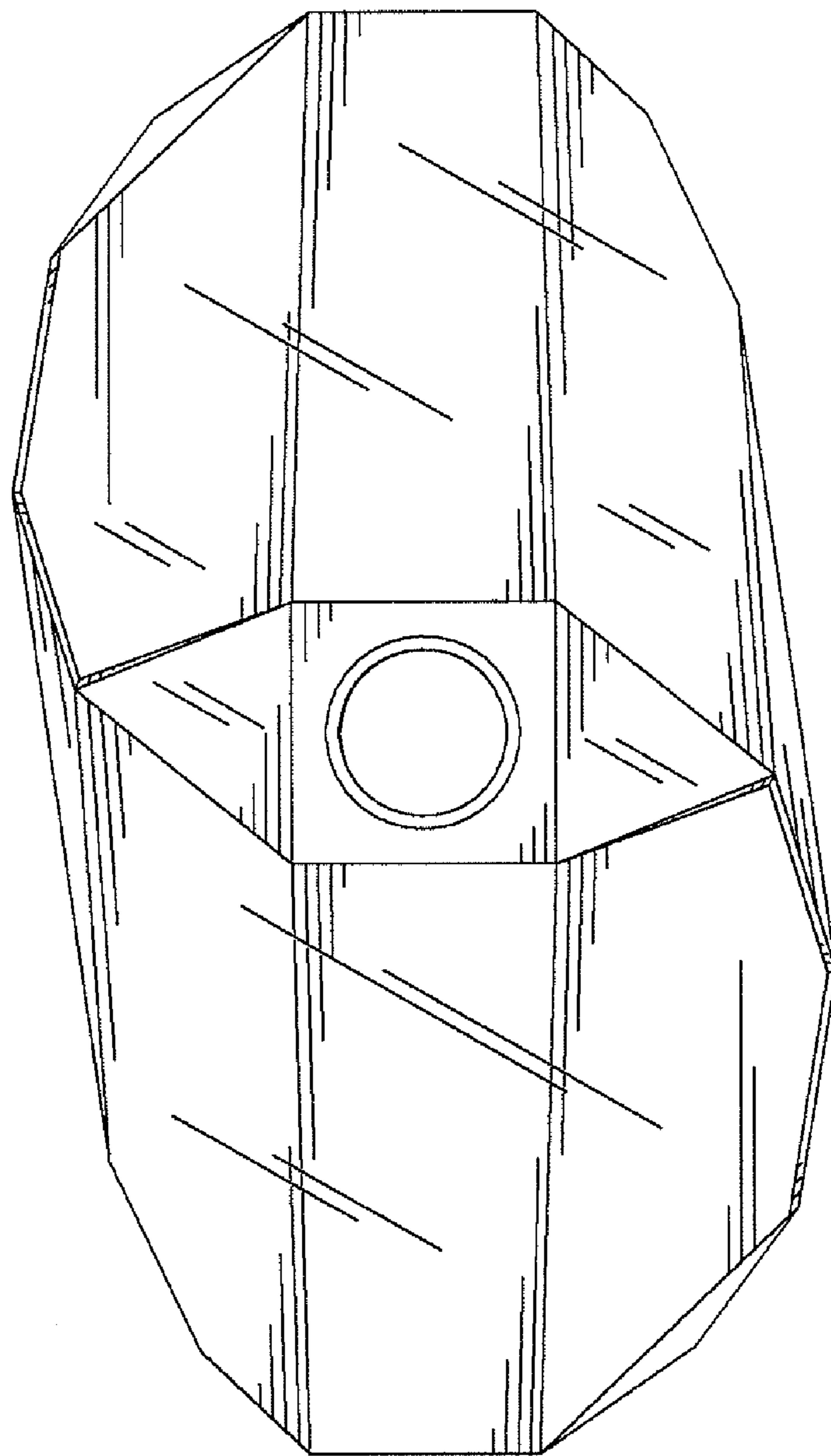


FIG. 7