

US00D591447S

(12) **United States Design Patent**
Huang

(10) **Patent No.:** **US D591,447 S**

(45) **Date of Patent:** **** Apr. 28, 2009**

(54) **BASE OF A LAMP STAND**

(76) Inventor: **Huo-Tu Huang**, No. 9, Lane 379,
Chung-Hwa Rd., Su-Lin, Taipei County
(TW)

(**) Term: **14 Years**

(21) Appl. No.: **29/309,112**

(22) Filed: **Jun. 24, 2008**

(51) **LOC (9) Cl.** **26-99**

(52) **U.S. Cl.** **D26/142**

(58) **Field of Classification Search** D26/63,
D26/65, 73, 62, 76, 42, 26, 60, 72, 74, 75,
D26/83, 85, 88, 89, 90, 93, 103, 107, 109,
D26/113, 118, 120, 125, 138, 140, 141, 142,
D26/149, 150, 151, 152, 154, 155; 362/220,
362/249, 219, 225, 601, 607, 147, 171, 641,
362/644, 657, 658, 257, 280, 364, 382, 403,
362/410, 431, 455, 809; D6/474, 477, 479,
D6/480; D13/134, 136, 146; 439/241, 231,
439/441, 244; D8/363, 345, 349

See application file for complete search history.

(56) **References Cited**

U.S. PATENT DOCUMENTS

D405,216 S * 2/1999 Porter et al. D26/138
D429,833 S * 8/2000 Lin D26/62

D436,212 S * 1/2001 Hammar D26/85
D439,357 S * 3/2001 Huang D26/63
D441,476 S * 5/2001 Mendelsohn et al. D26/63
D506,018 S * 6/2005 Campo D26/62
D507,372 S * 7/2005 Lu D26/62

* cited by examiner

Primary Examiner—Cathron C Brooks

Assistant Examiner—Kevin K Rudzinski

(74) *Attorney, Agent, or Firm*—Bacon & Thomas ,PLLC

(57) **CLAIM**

I claim the ornamental design for base of a lamp stand, as shown and described.

DESCRIPTION

FIG. 1 is a perspective view of base of a lamp stand showing my new design;

FIG. 2 is a front elevational view thereof;

FIG. 3 is a rear elevational view thereof;

FIG. 4 is a left side elevational view thereof;

FIG. 5 is a right side elevational view thereof;

FIG. 6 is a top plan view thereof; and,

FIG. 7 is a bottom plan view thereof.

1 Claim, 4 Drawing Sheets





FIG. 1

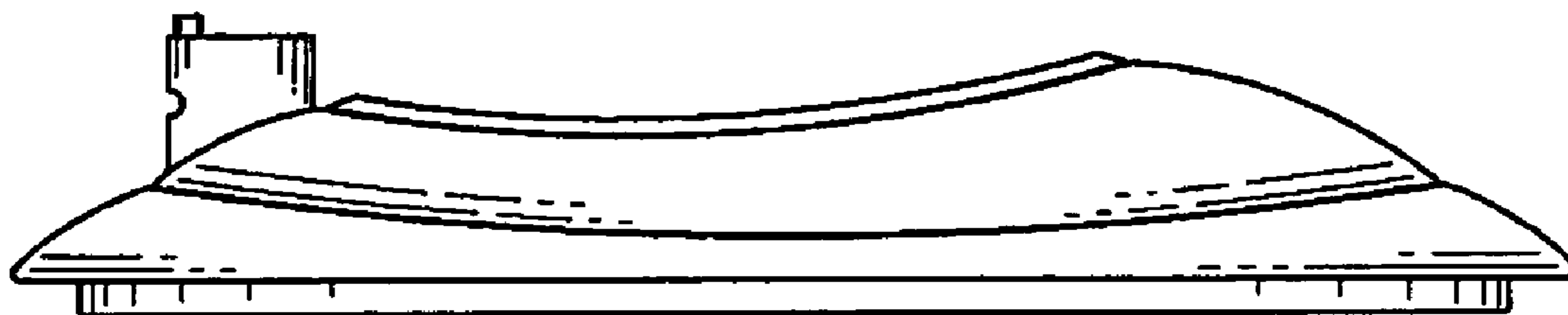


FIG. 2



FIG. 3

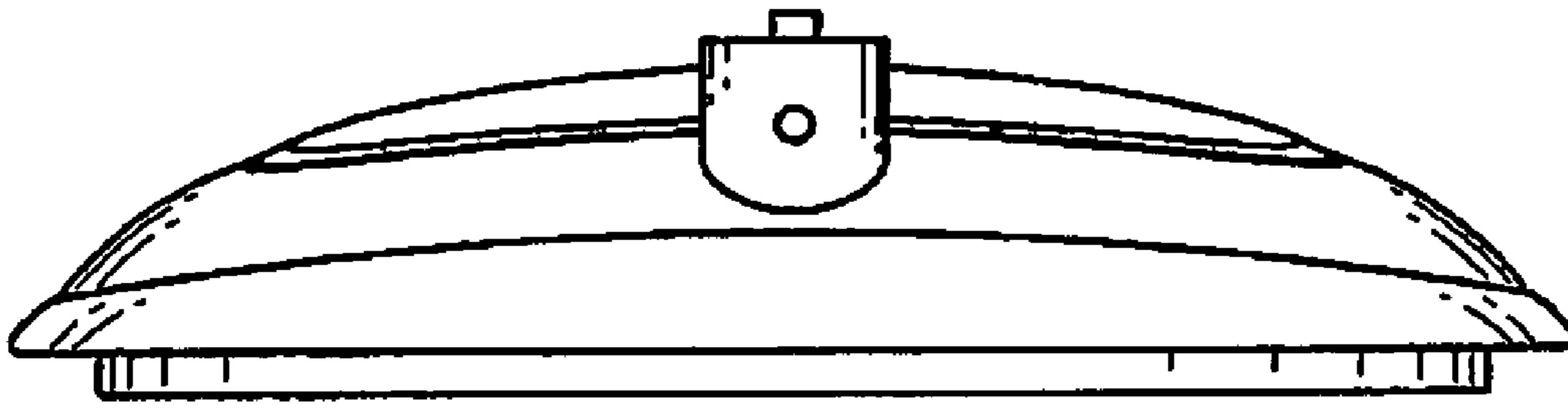


FIG. 4

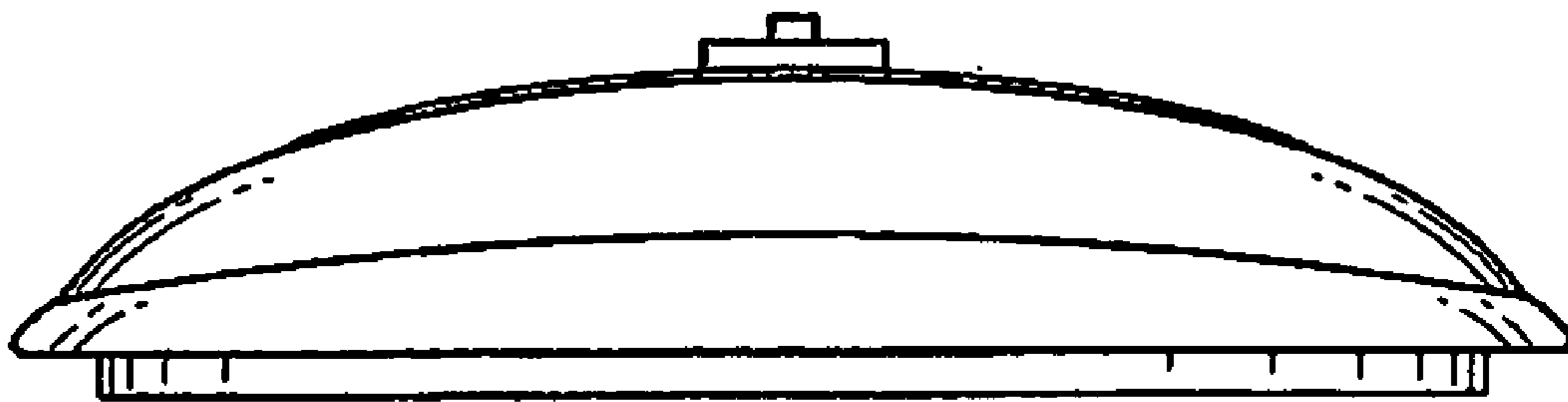


FIG. 5

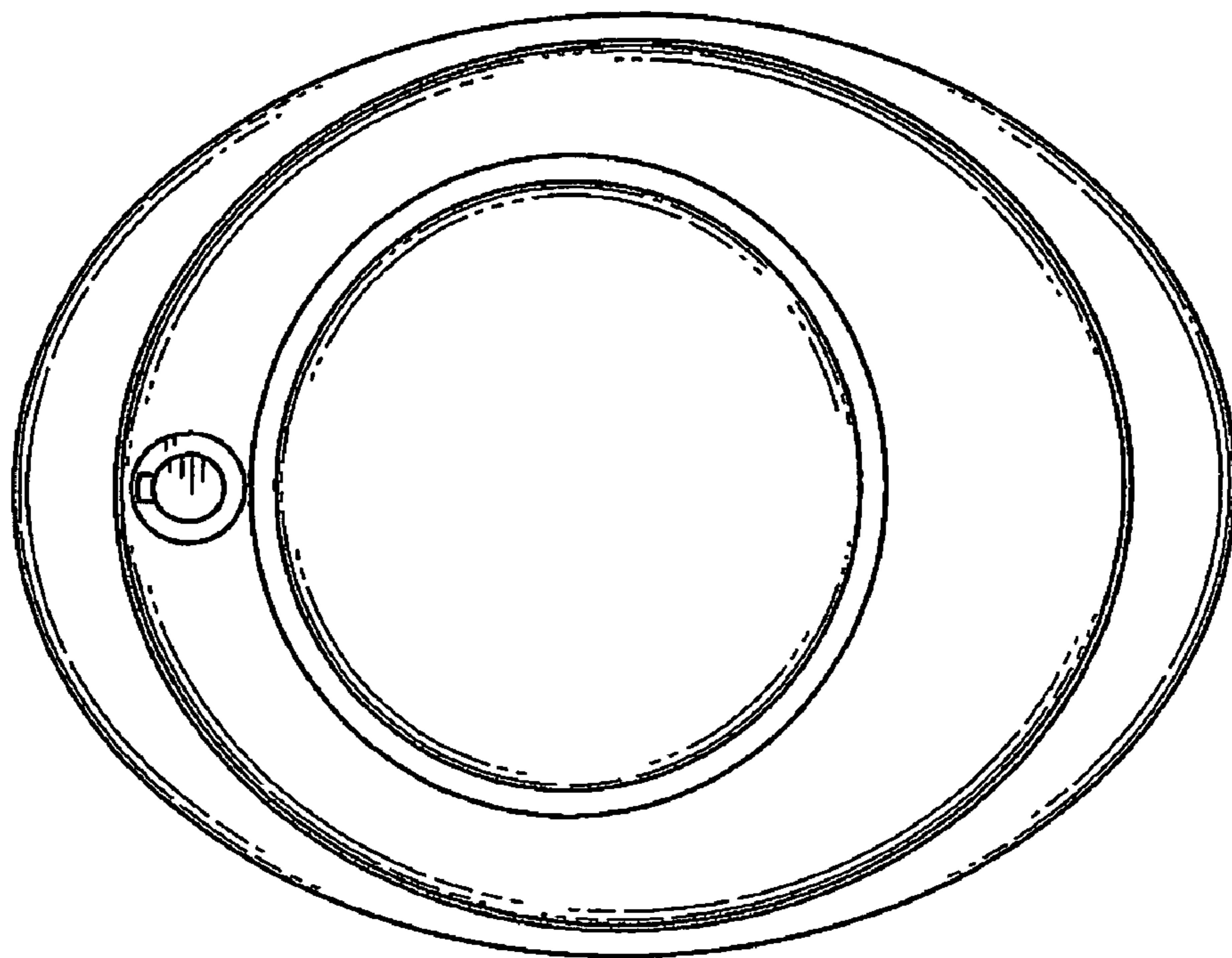


FIG. 6

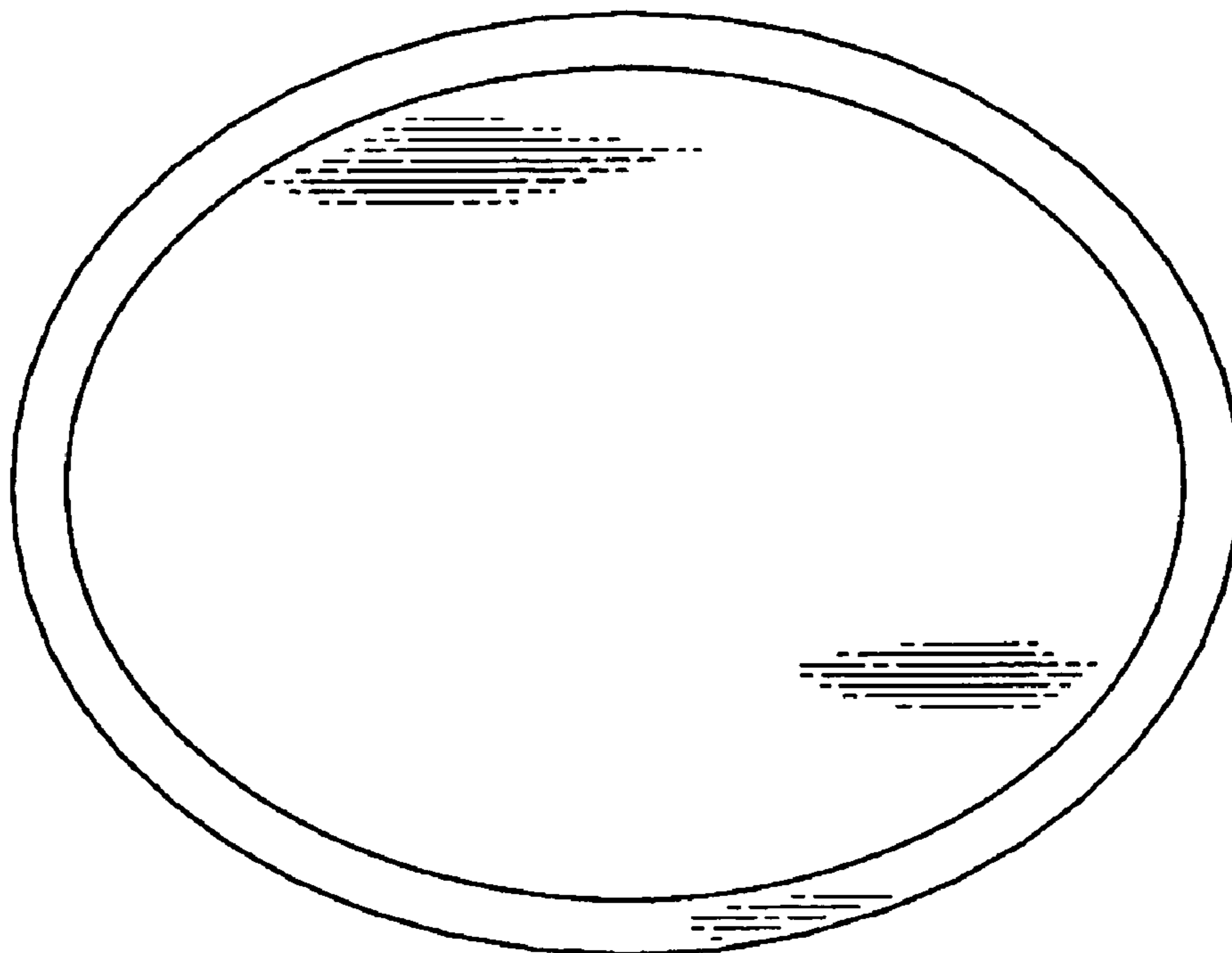


FIG. 7