



US00D591444S

(12) **United States Design Patent**
Beno et al.

(10) **Patent No.:** **US D591,444 S**
(45) **Date of Patent:** **** Apr. 28, 2009**

(54) **LIGHTING FIXTURE**

(75) Inventors: **Jimalee R. Beno**, Fond Du Lac, WI (US); **Michael A. Arndt**, Franklin, WI (US); **Paul A. Olson**, Cedarburg, WI (US)

(73) Assignee: **Oldenburg Group Incorporated**, Glendale, WI (US)

(**) Term: **14 Years**

(21) Appl. No.: **29/328,864**

(22) Filed: **Dec. 3, 2008**

(51) **LOC (9) Cl.** **26-03**

(52) **U.S. Cl.** **D26/88; D26/76**

(58) **Field of Classification Search** D26/75,
D26/76, 79, 81, 83, 84, 85, 88-91, 118; 362/147,
362/404-408

See application file for complete search history.

(56) **References Cited**

U.S. PATENT DOCUMENTS

D101,033 S *	9/1936	Glatthar et al.	D26/81
D118,729 S *	1/1940	Stewart	D26/83
D125,918 S *	3/1941	Johnston	D26/76
D135,733 S *	5/1943	Haas et al.	D26/76
D147,467 S *	9/1947	Meyer	D26/76
D165,738 S *	1/1952	Brochstein	D26/85
D169,999 S *	7/1953	Ainsworth	D26/78
D525,385 S *	7/2006	Waycaster et al.	D26/76

OTHER PUBLICATIONS

“Iola” Pendant , model #LS-19691 by Lite Source Inc. Downloaded from www.lightinguniverse.com Feb. 27, 2009.*

* cited by examiner

Primary Examiner—Clare E Heflin

(74) *Attorney, Agent, or Firm*—Reinhart Boerner Van Deuren s.c.

(57) **CLAIM**

The ornamental design for a lighting fixture, as shown and described.

DESCRIPTION

FIG. 1 is an isometric view of a lighting fixture showing our design from the bottom and the front side;

FIG. 2 is a bottom plan view of the lighting fixture illustrated in FIG. 1;

FIG. 3 is a top plan view of the lighting fixture illustrated in FIGS. 1 and 2;

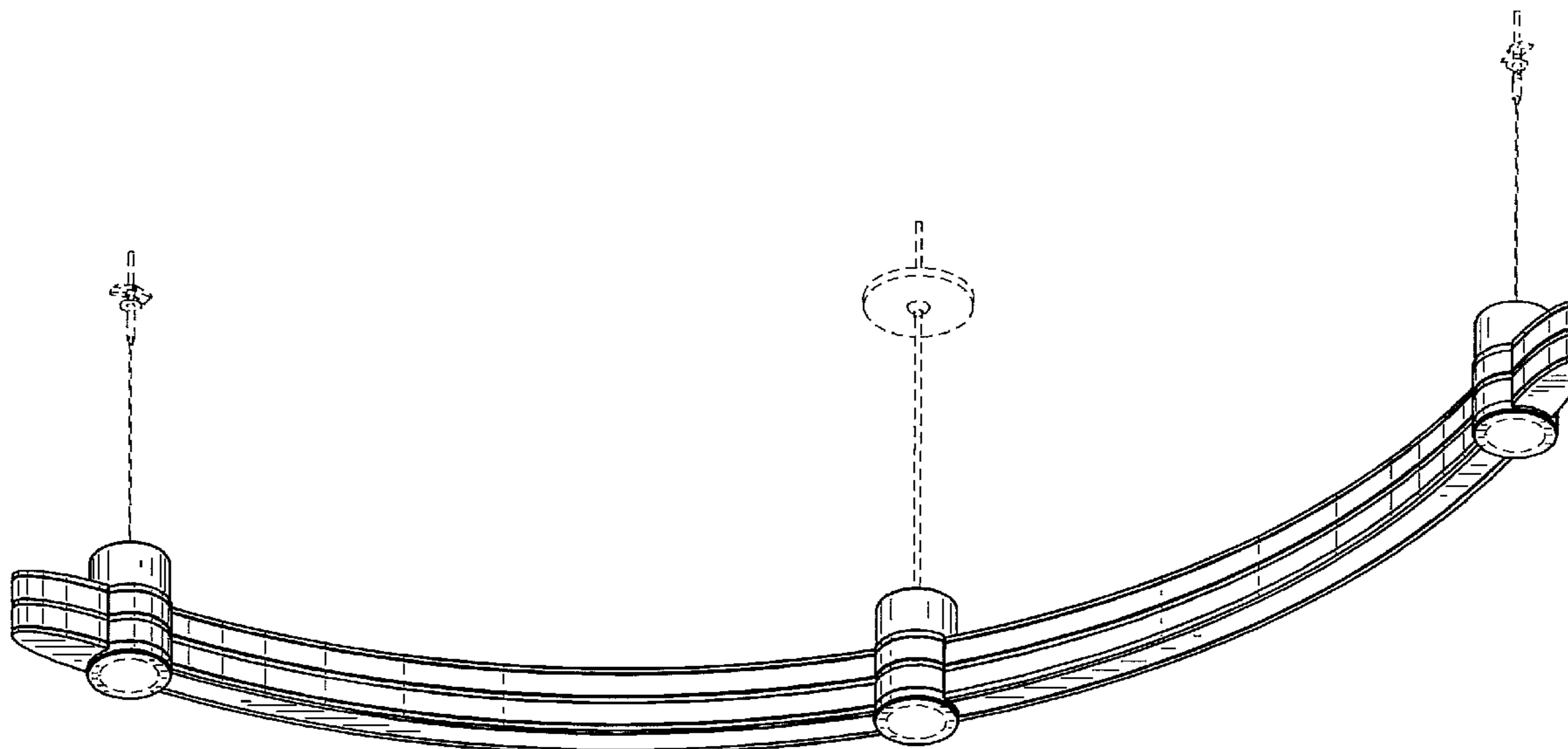
FIG. 4 is a front elevation view of the lighting fixture illustrated in FIGS. 1 through 3;

FIG. 5 is a rear elevation view of the lighting fixture illustrated in FIGS. 1 through 4; and,

FIG. 6 is a right side elevation view of the lighting fixture illustrated in FIGS. 1 through 5, the left side being a mirror image thereof.

The broken lines in the drawing form no part of the claimed design.

1 Claim, 5 Drawing Sheets



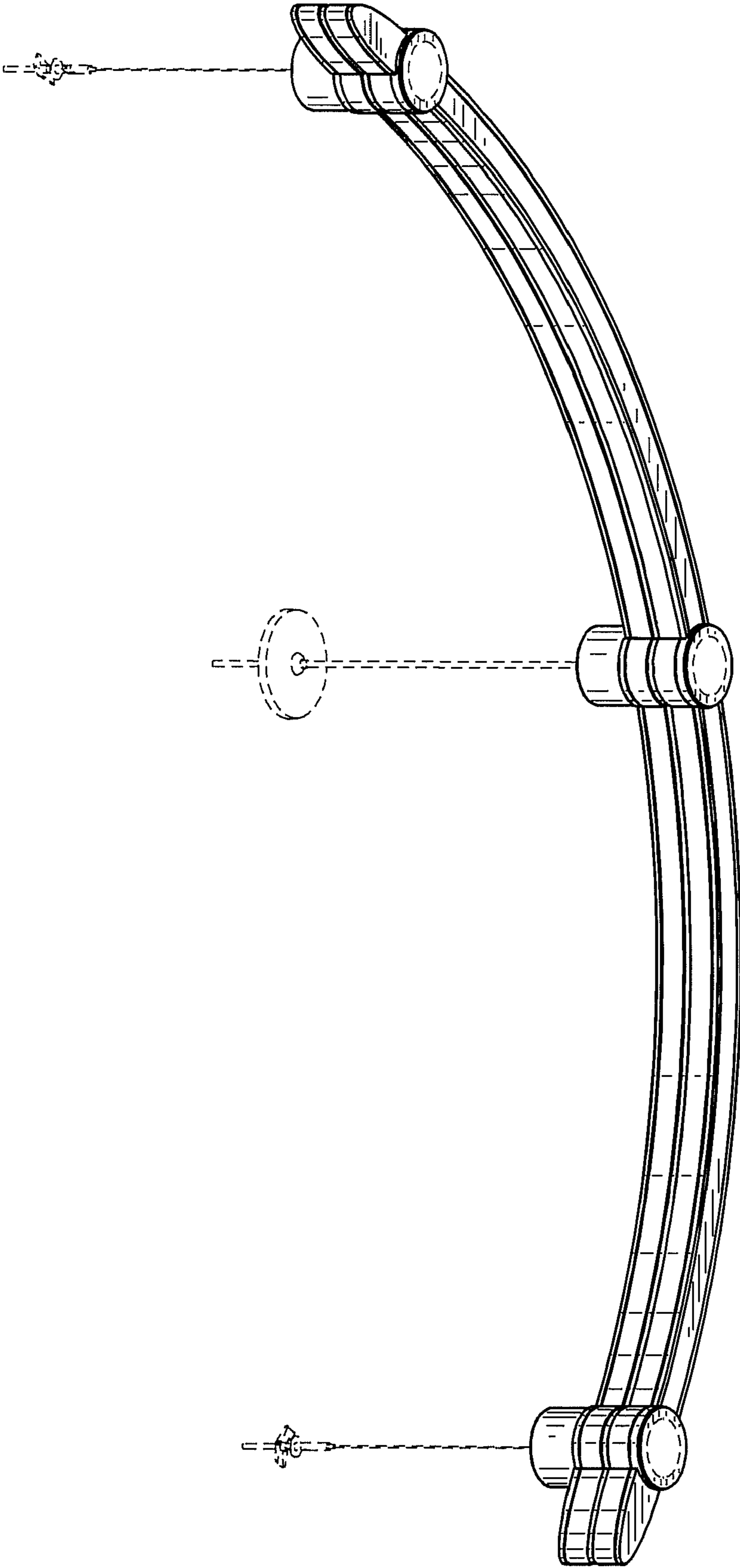


FIG. 1

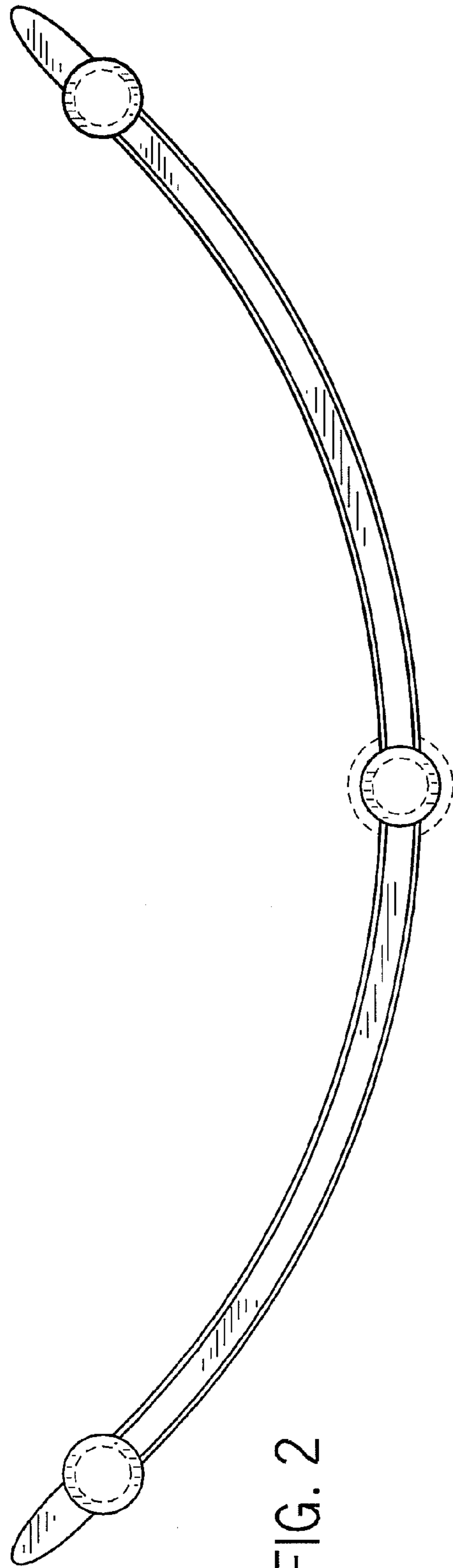


FIG. 2

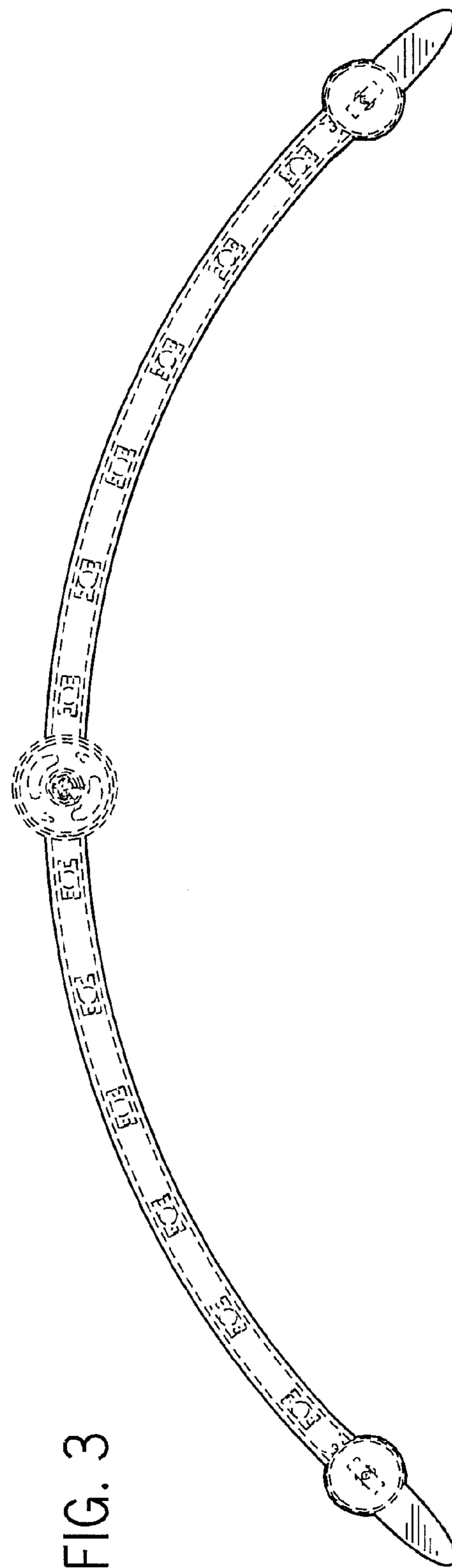


FIG. 3

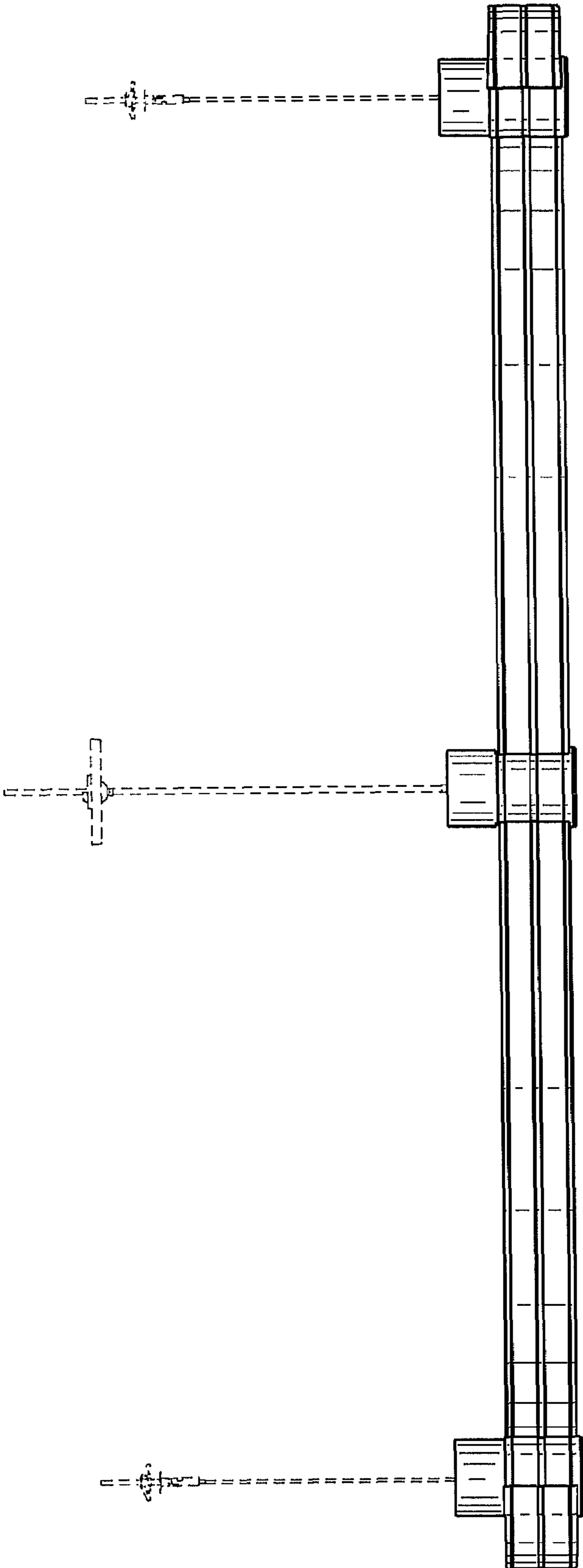


FIG. 4

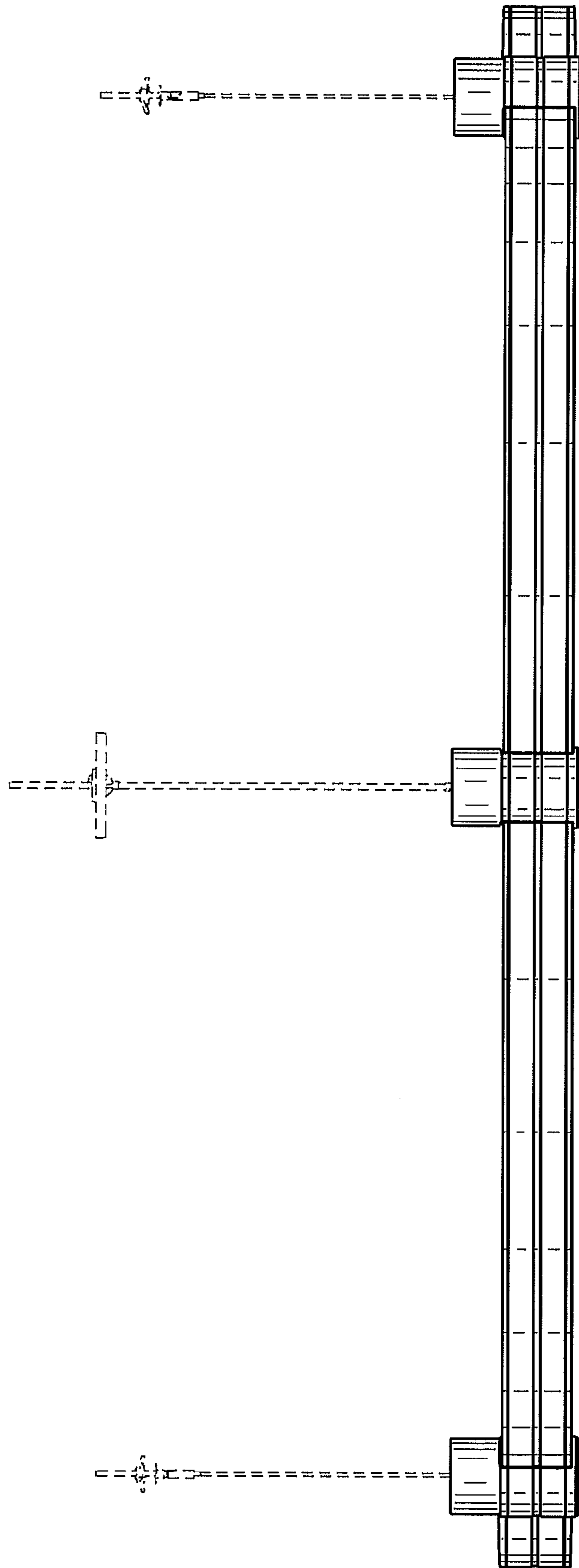


FIG. 5

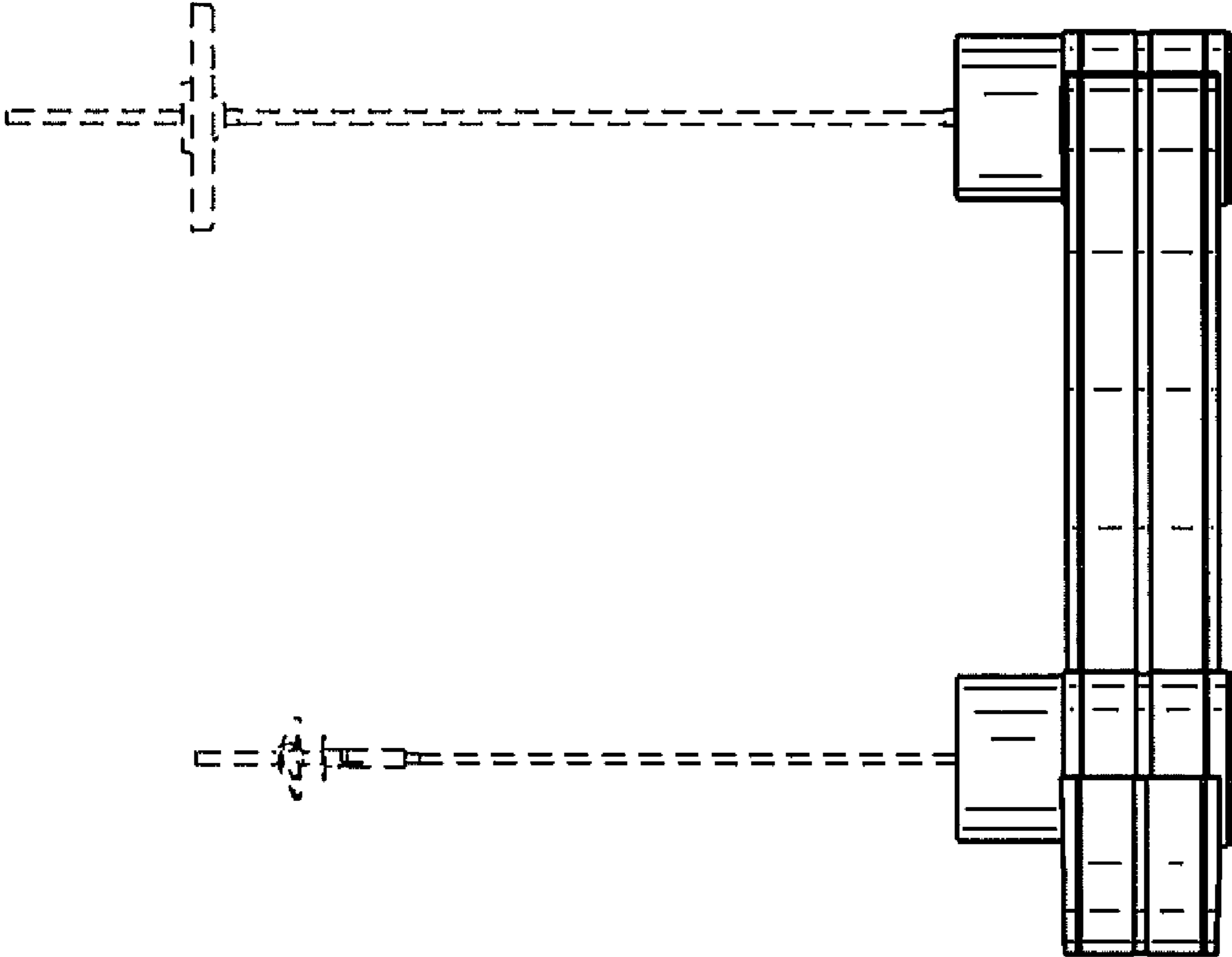


FIG. 6