



US00D591443S

(12) **United States Design Patent**  
**Beno et al.**

(10) **Patent No.:** **US D591,443 S**  
(45) **Date of Patent:** **\*\* Apr. 28, 2009**

(54) **LIGHTING FIXTURE**

(75) Inventors: **Jimalee R. Beno**, Fond Du Lac, WI (US); **Michael A. Arndt**, Franklin, WI (US); **Paul A. Olson**, Cedarburg, WI (US)

(73) Assignee: **Oldenburg Group Incorporated**, Glendale, WI (US)

(\*\*) Term: **14 Years**

(21) Appl. No.: **29/328,859**

(22) Filed: **Dec. 3, 2008**

(51) **LOC (9) Cl.** ..... **26-03**

(52) **U.S. Cl.** ..... **D26/88; D26/76**

(58) **Field of Classification Search** ..... D26/75, D26/76, 79, 81, 83, 84, 85, 88-91, 118; 362/147, 404-408

See application file for complete search history.

(56) **References Cited**

**U.S. PATENT DOCUMENTS**

D123,049 S *	10/1940	Doane	.....	D26/76
D123,757 S *	12/1940	Dreyfuss	.....	D26/76
2,341,895 A *	2/1944	Beck	.....	362/221
D155,779 S *	11/1949	Carstens	.....	D26/76
D165,738 S *	1/1952	Brochstein	.....	D26/85
D169,999 S *	7/1953	Ainsworth	.....	D26/78
D514,731 S *	2/2006	Engel	.....	D26/88
D525,385 S *	7/2006	Waycaster et al.	.....	D26/76

**OTHER PUBLICATIONS**

“Kaori” Pendant Model #LS-19688 by Lite Source Inc. Downloaded from lightinguniverse.com Feb. 27, 2009.\*

“Strato” Pendant Model #E20725-18 by ET2 Lighting shown on p. 11 of the Supplement to the Modern European Designs Catalog © 2007.\*

\* cited by examiner

*Primary Examiner*—Clare E Heflin

(74) *Attorney, Agent, or Firm*—Reinhart Boerner Van Deuren s. c.

(57) **CLAIM**

The ornamental design for a lighting fixture, as shown and described.

**DESCRIPTION**

FIG. 1 is an isometric view of a first embodiment of the lighting fixture of the present invention shown from the bottom and the front side;

FIG. 2 is a bottom plan view of the lighting fixture illustrated in FIG. 1;

FIG. 3 is a top plan view of the lighting fixture illustrated in FIGS. 1 and 2;

FIG. 4 is a front isometric view of the lighting fixture illustrated in FIGS. 1 through 3;

FIG. 5 is a rear isometric view of the lighting fixture illustrated in FIGS. 1 through 4;

FIG. 6 is a right side isometric view of the lighting fixture illustrated in FIGS. 1 through 5, the left side being a mirror image thereof;

FIG. 7 is an isometric view of a second embodiment of the lighting fixture of the present invention shown from the bottom and the front side;

FIG. 8 is a bottom plan view of the lighting fixture illustrated in FIG. 7;

FIG. 9 is a top plan view of the lighting fixture illustrated in FIGS. 7 and 8;

FIG. 10 is a front isometric view of the lighting fixture illustrated in FIGS. 7 through 9;

FIG. 11 is a rear isometric view of the lighting fixture illustrated in FIGS. 7 through 10;

FIG. 12 is a right side isometric view of the lighting fixture illustrated in FIGS. 7 through 11, the left side being a mirror image thereof;

FIG. 13 is an isometric view of a third embodiment of the lighting fixture of the present invention shown from the bottom and the front side;

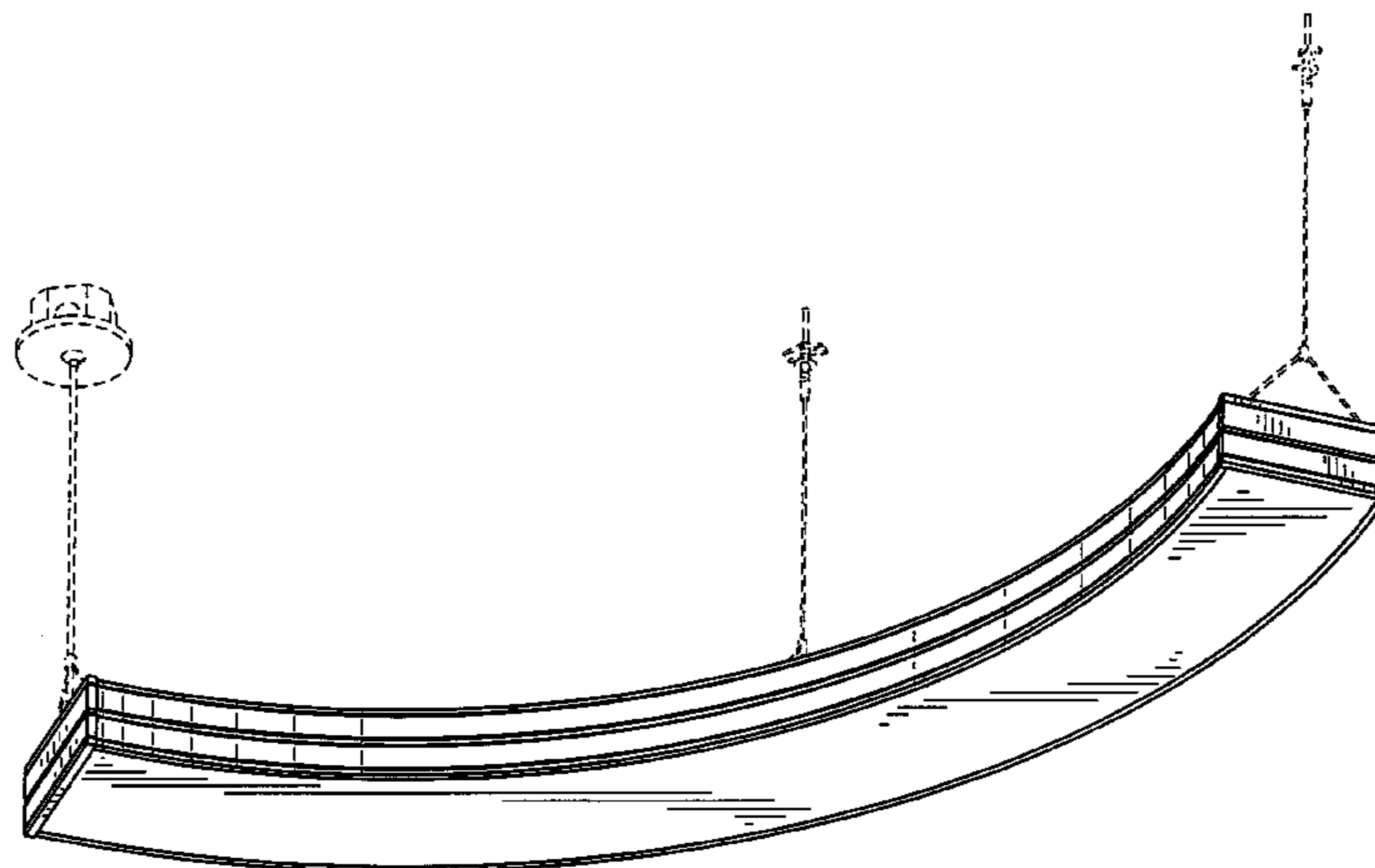


FIG. **14** is a bottom plan view of the lighting fixture illustrated in FIG. **13**;

FIG. **15** is a top plan view of the lighting fixture illustrated in FIGS. **13** and **14**;

FIG. **16** is a front isometric view of the lighting fixture illustrated in FIGS. **13** through **15**;

FIG. **17** is a rear isometric view of the lighting fixture illustrated in FIGS. **13** through **16**;

FIG. **18** is a right side isometric view of the lighting fixture illustrated in FIGS. **13** through **17**, the left side being a mirror image thereof;

FIG. **19** is an isometric view of a fourth embodiment of the lighting fixture of the present invention shown from the bottom and the front side;

FIG. **20** is a bottom plan view of the lighting fixture illustrated in FIG. **19**;

FIG. **21** is a top plan view of the lighting fixture illustrated in FIGS. **19** and **20**;

FIG. **22** is a front isometric view of the lighting fixture illustrated in FIGS. **19** through **21**;

FIG. **23** is a rear isometric view of the lighting fixture illustrated in FIGS. **19** through **22**; and,

FIG. **24** is a right side isometric view of the lighting fixture illustrated in FIGS. **19** through **23**, the left side being a mirror image thereof.

The broken lines in the drawing form no part of the claimed design.

**1 Claim, 20 Drawing Sheets**

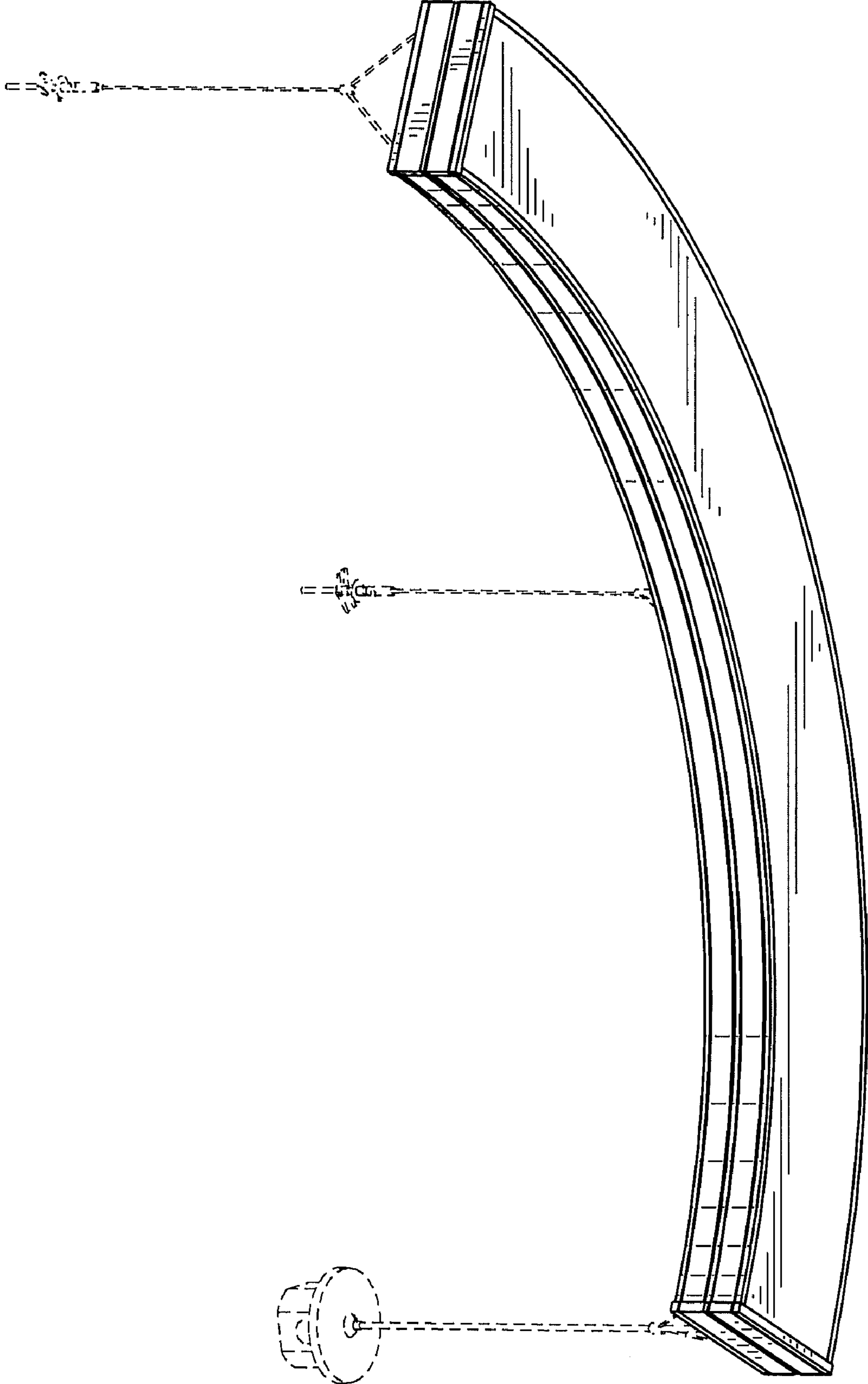


FIG. 1

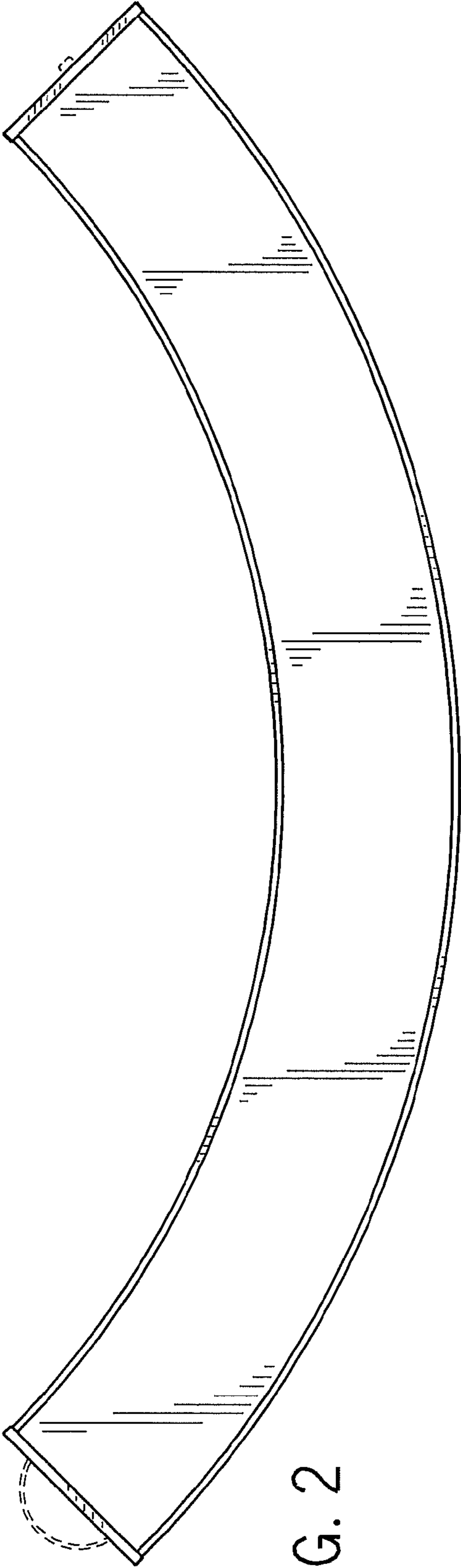


FIG. 2

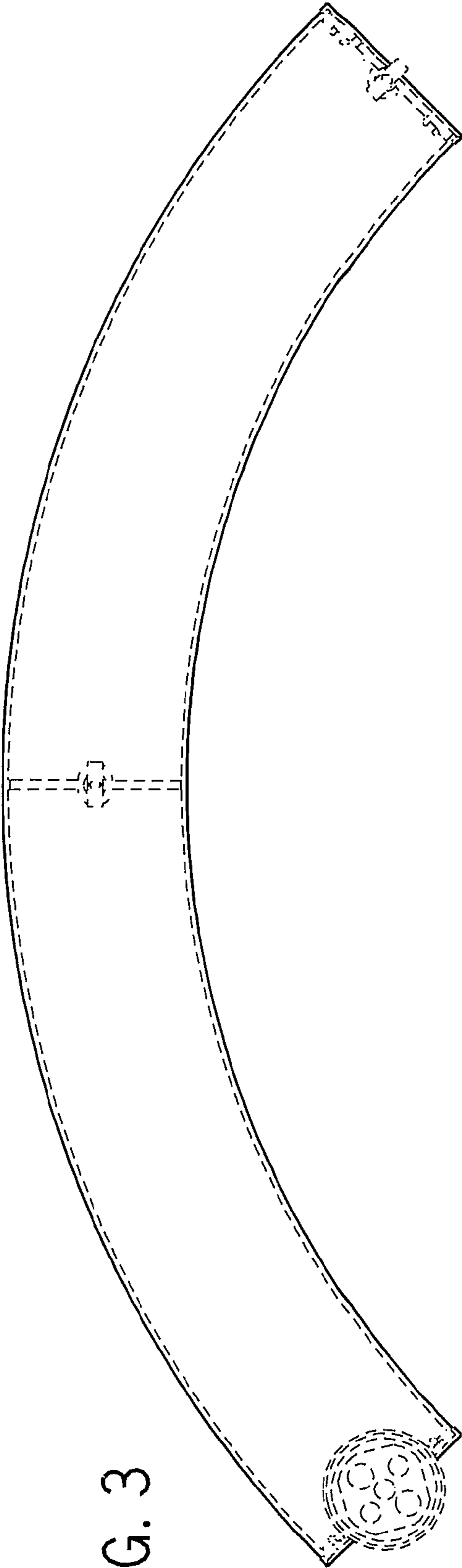


FIG. 3

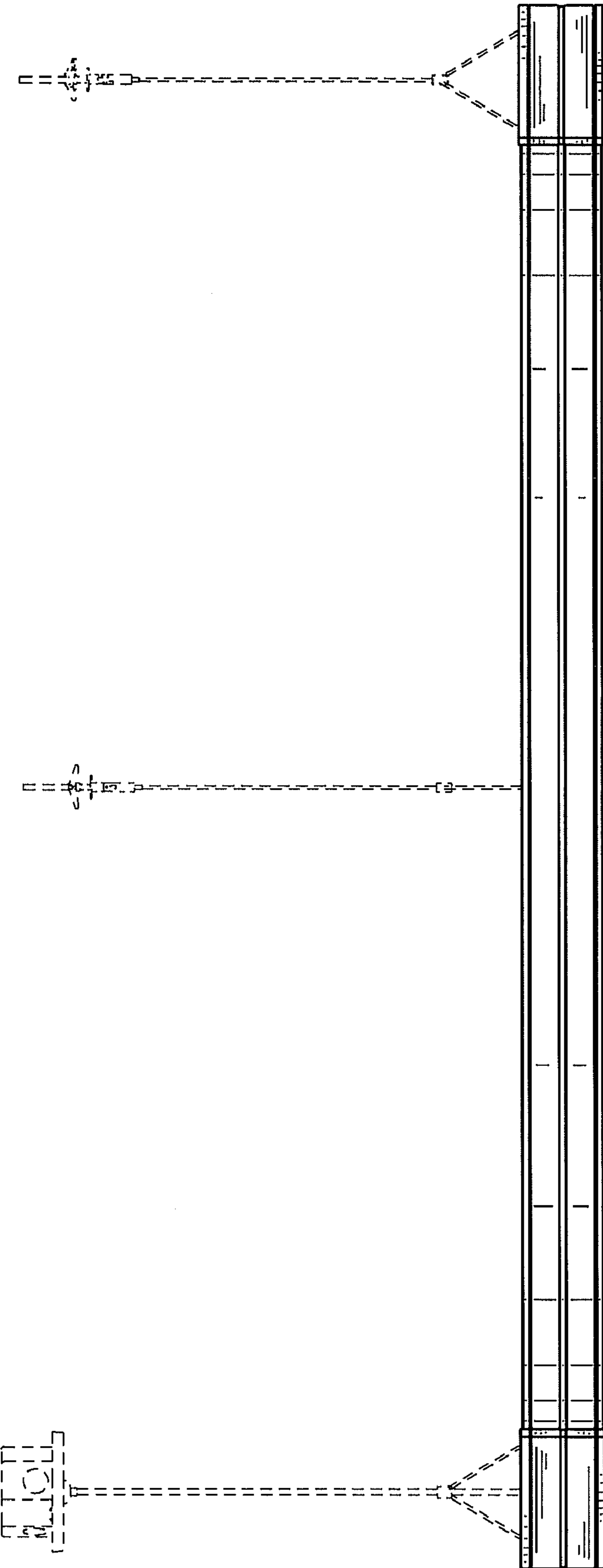


FIG. 4

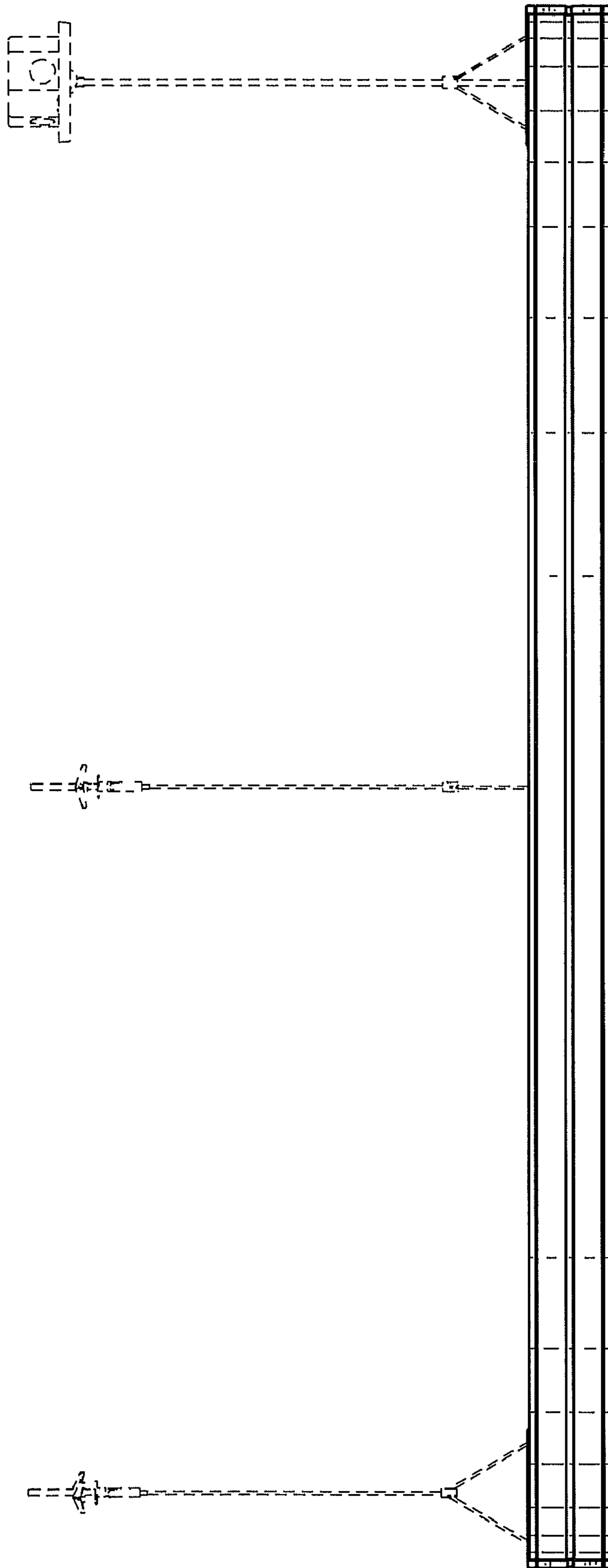


FIG. 5

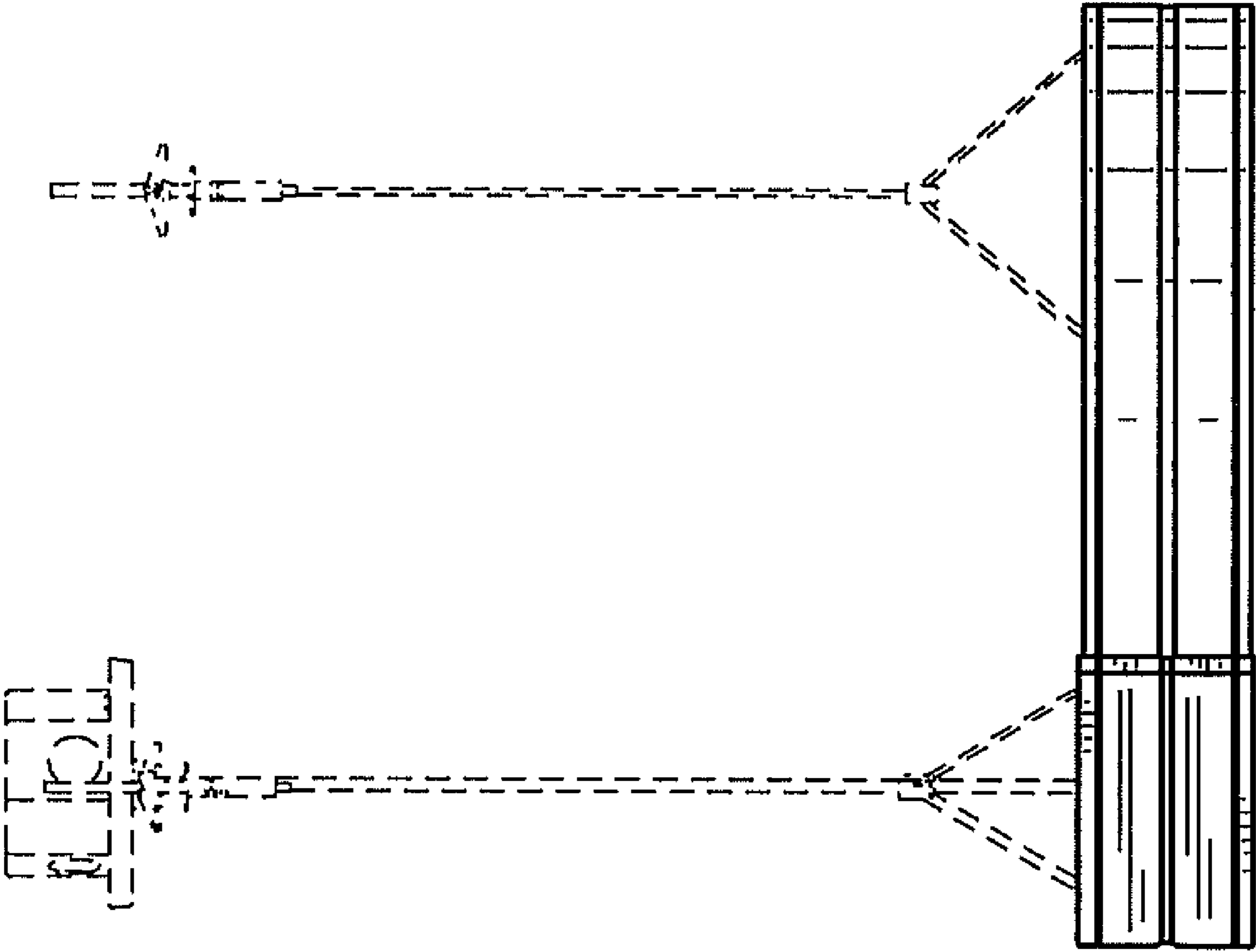


FIG. 6

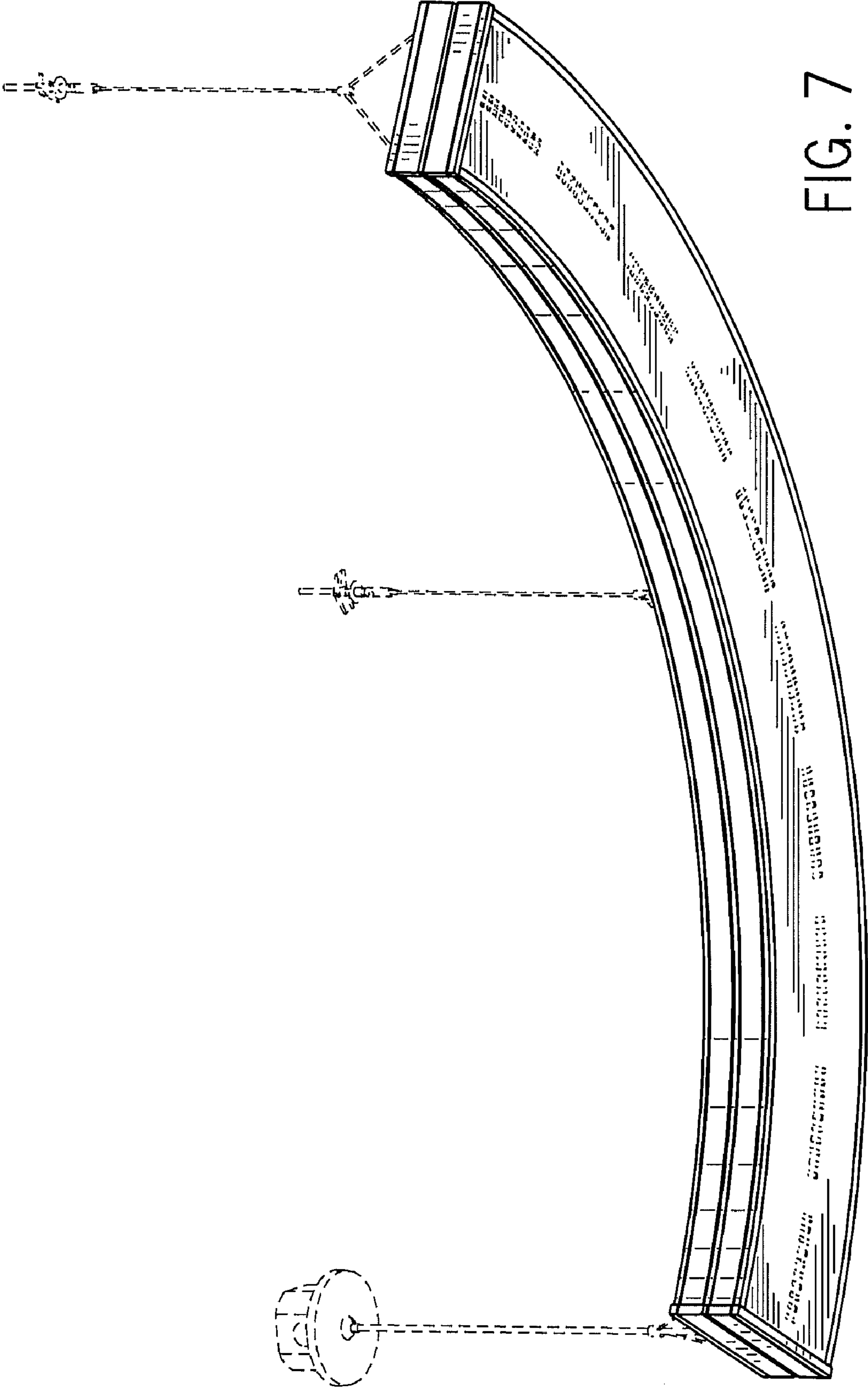


FIG. 7



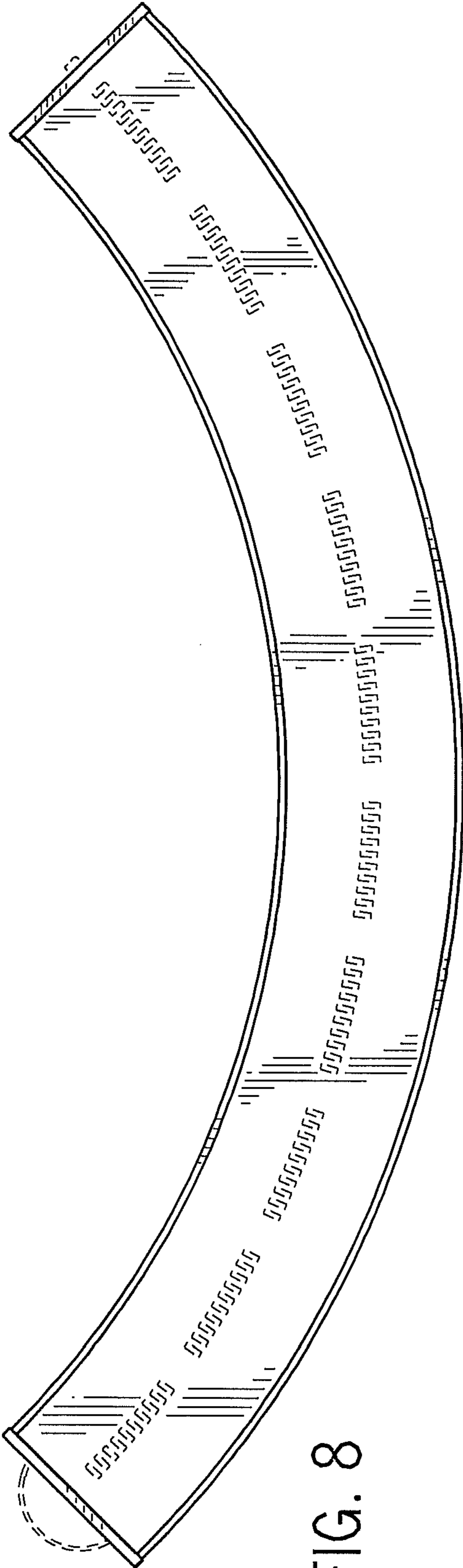


FIG. 8

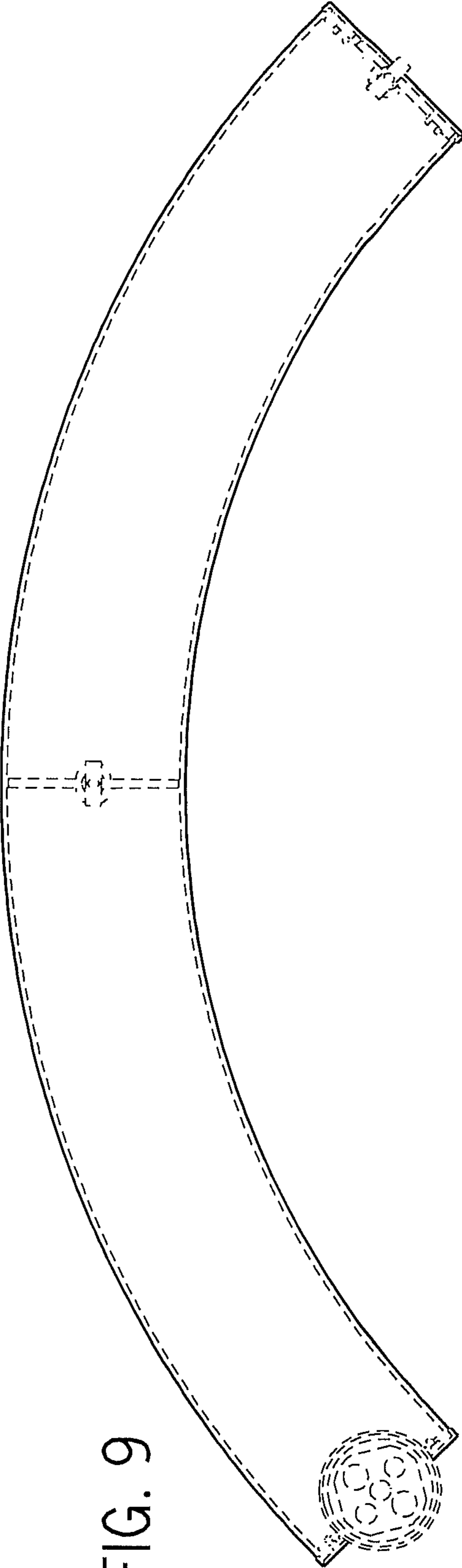


FIG. 9

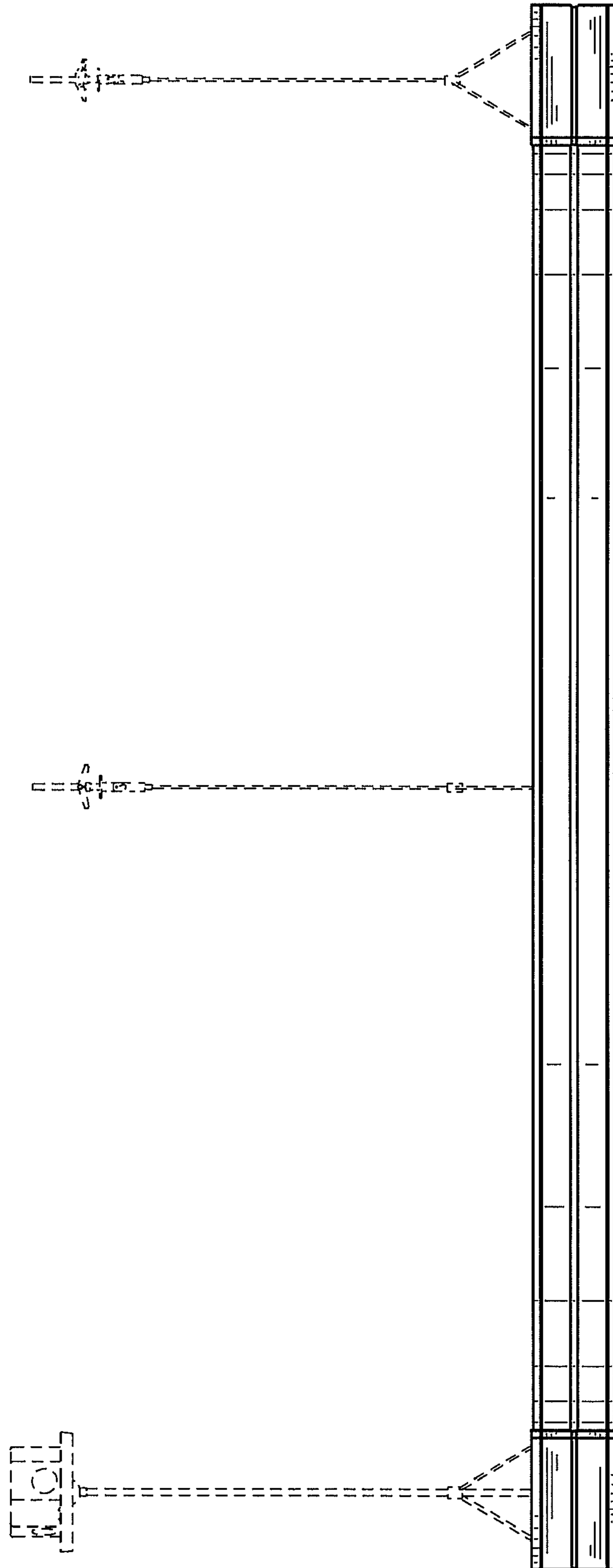


FIG. 10

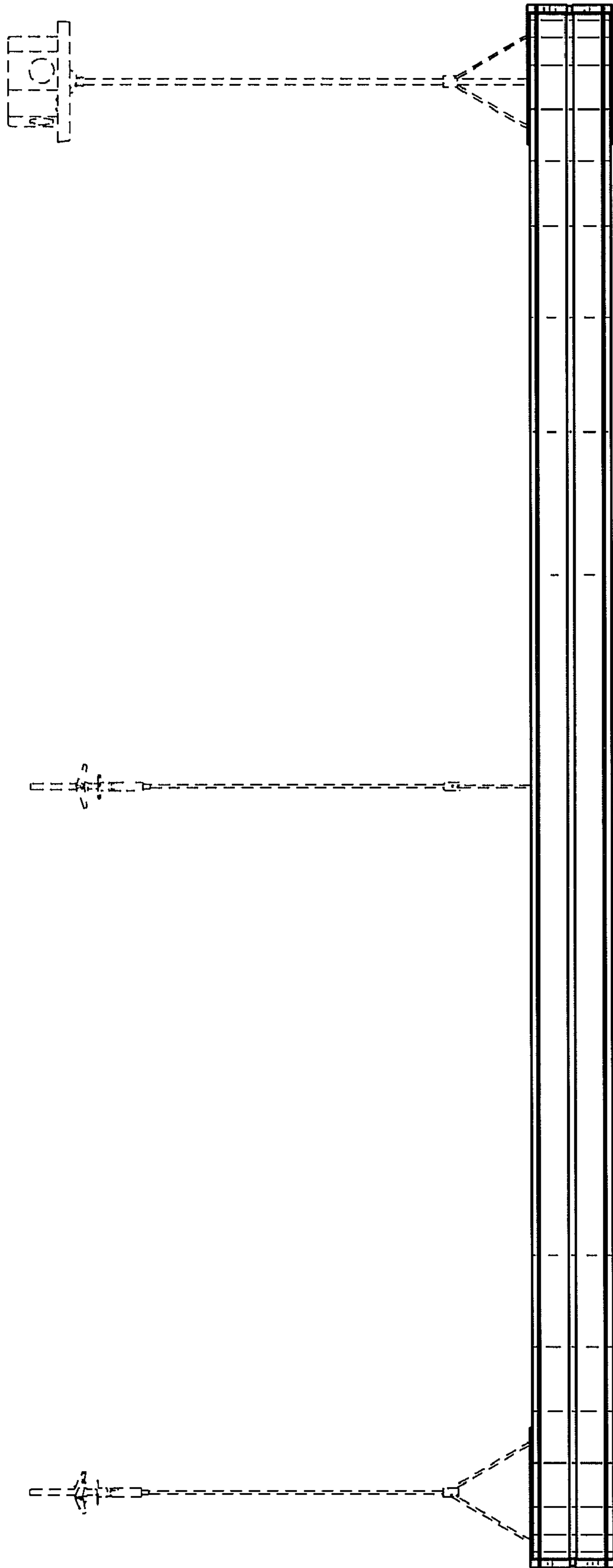


FIG. 11

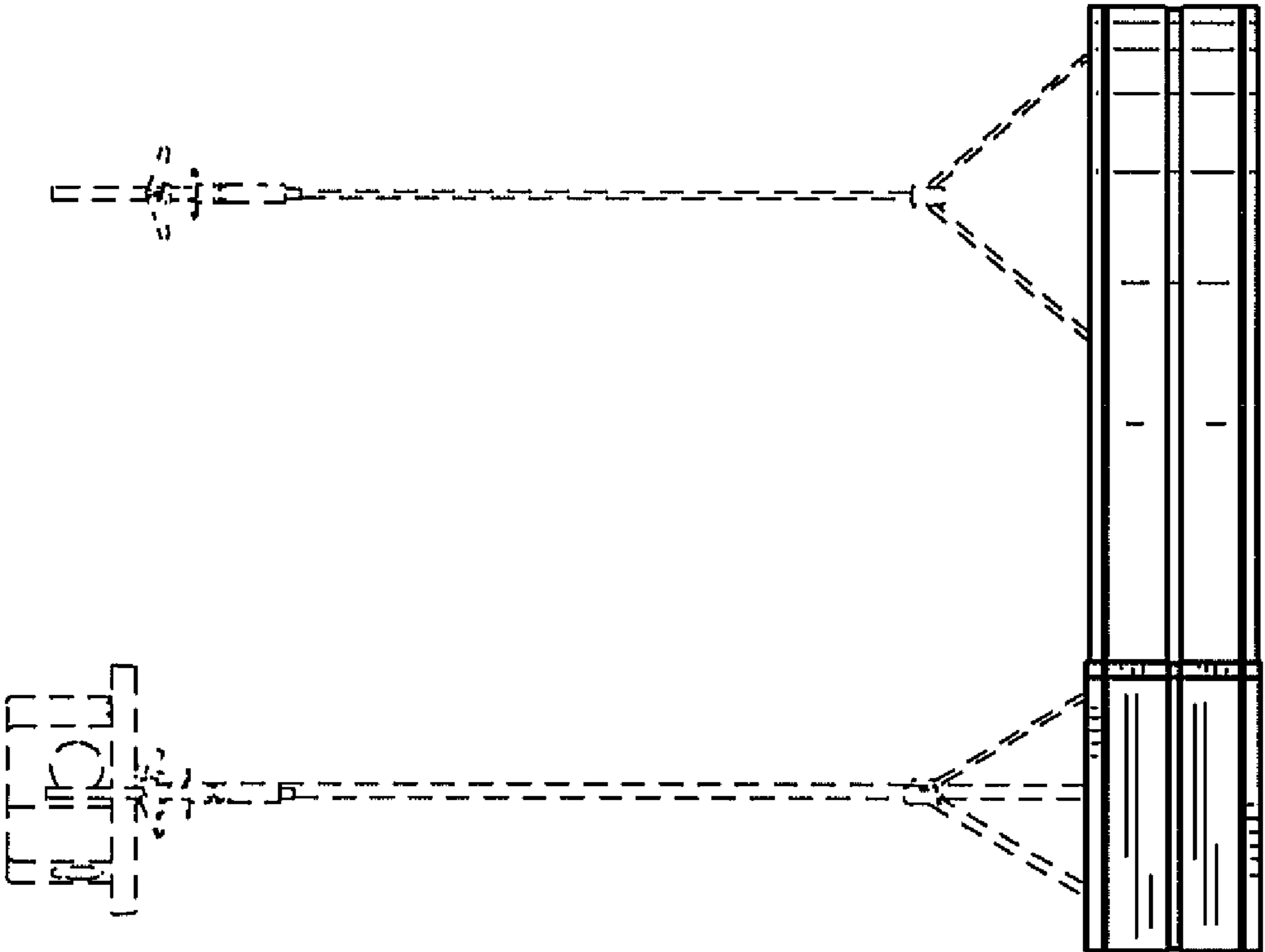


FIG. 12

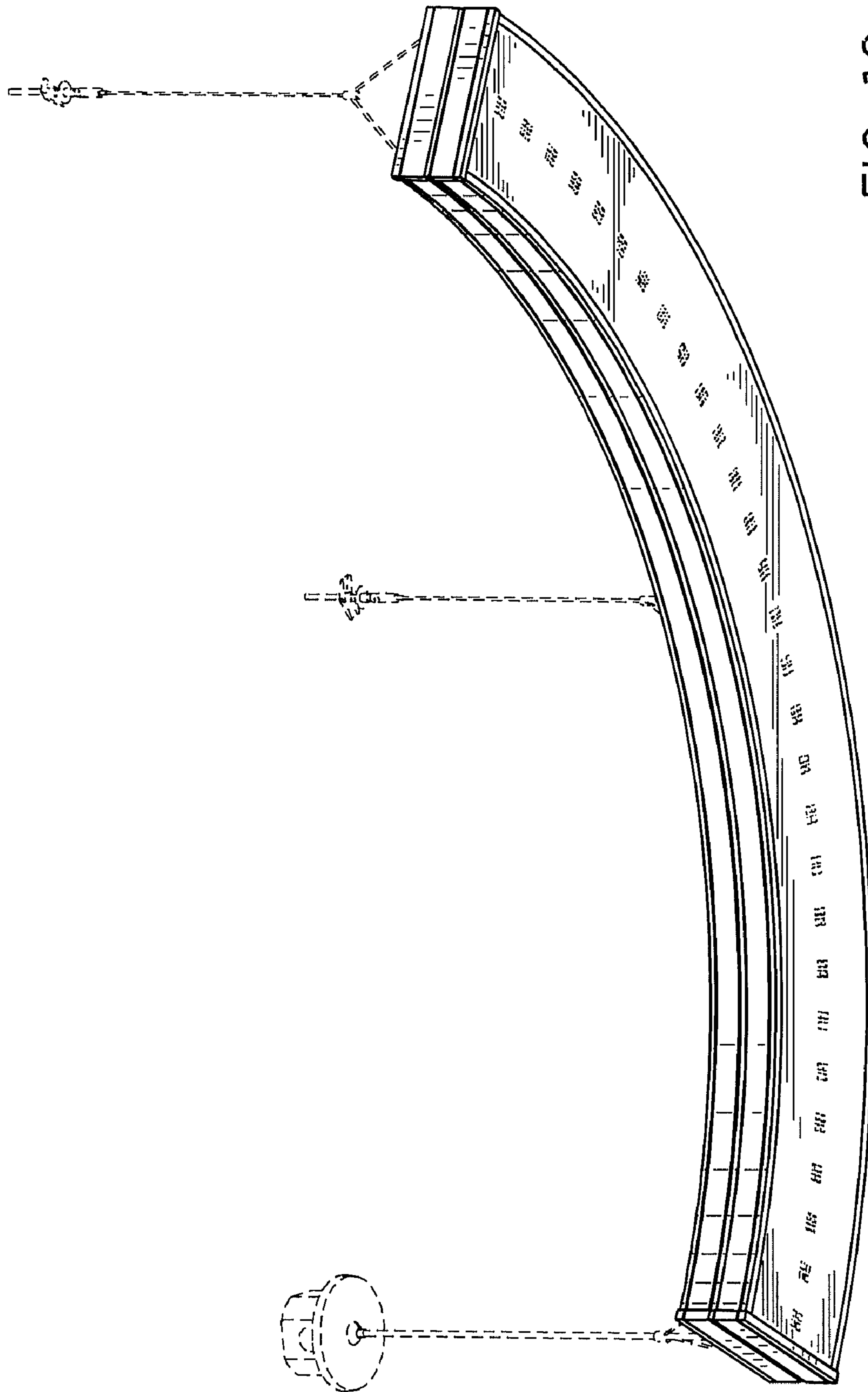


FIG. 13

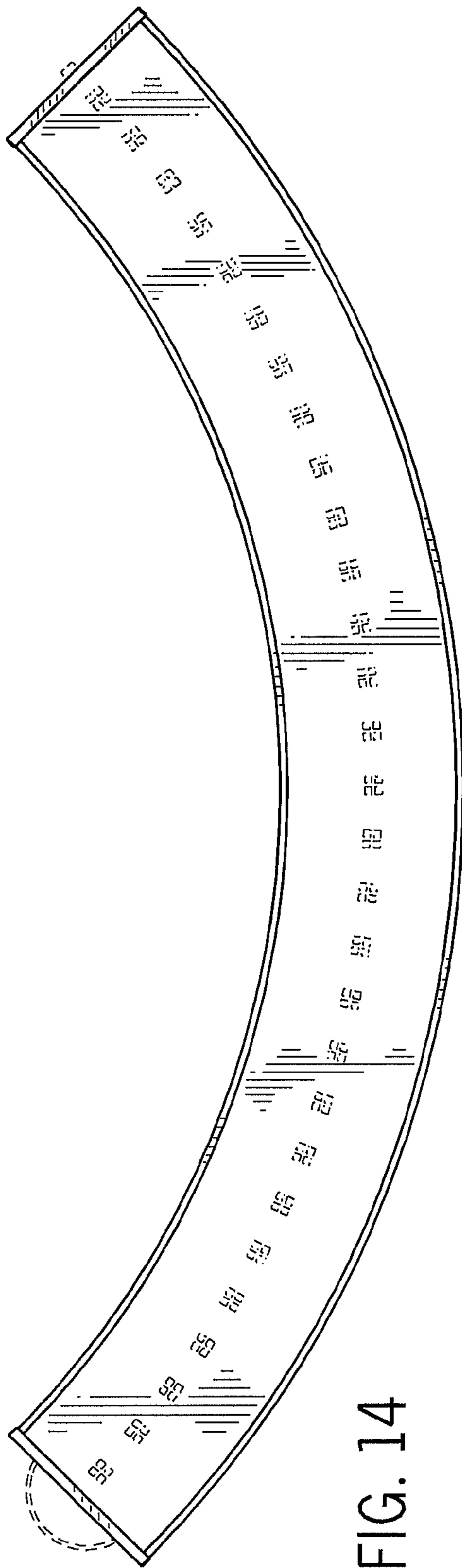


FIG. 14

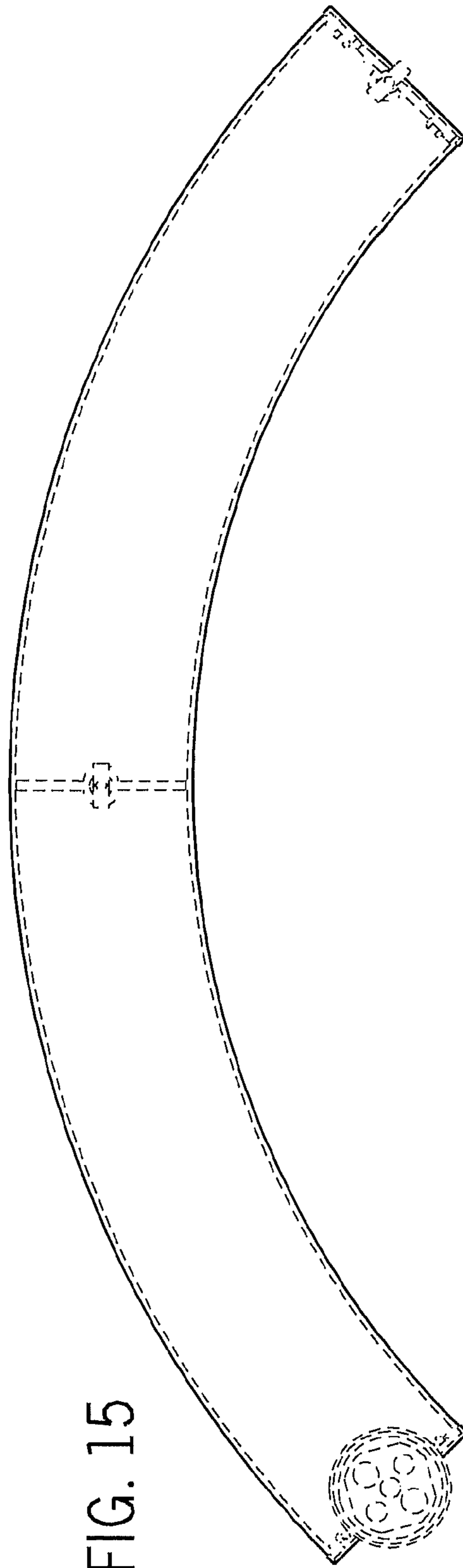


FIG. 15

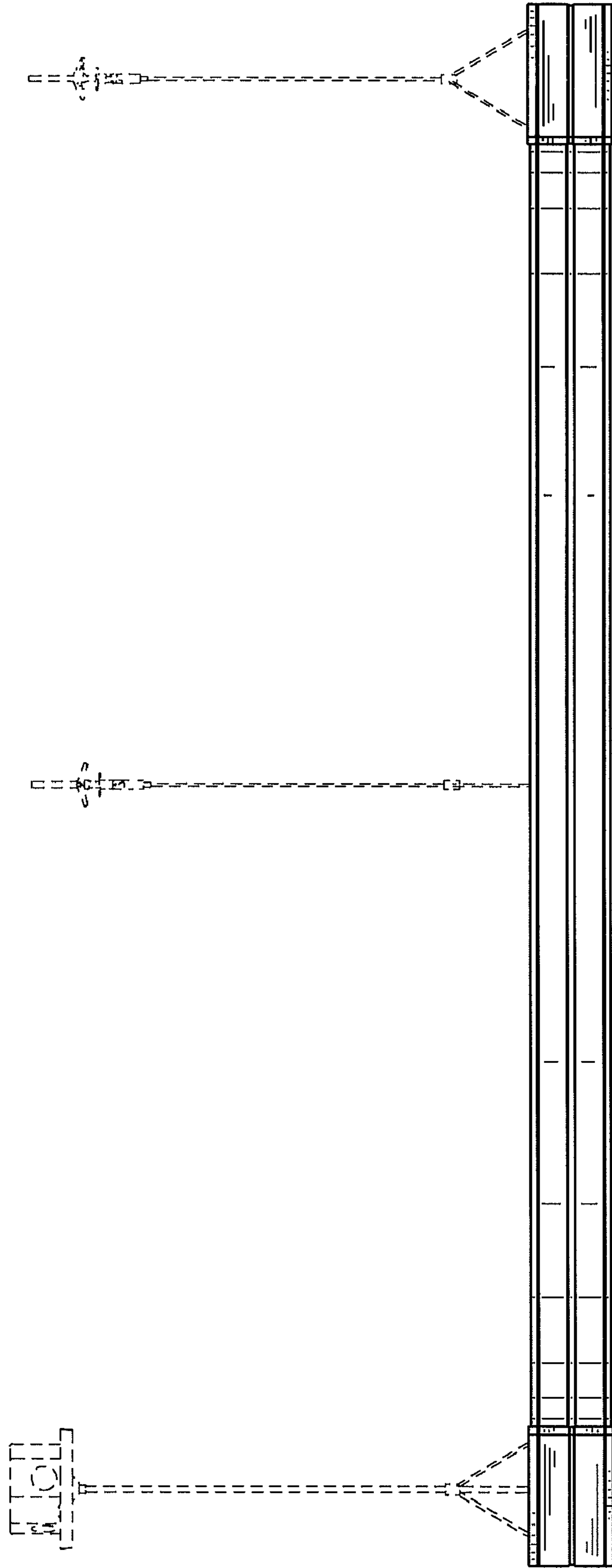


FIG. 16

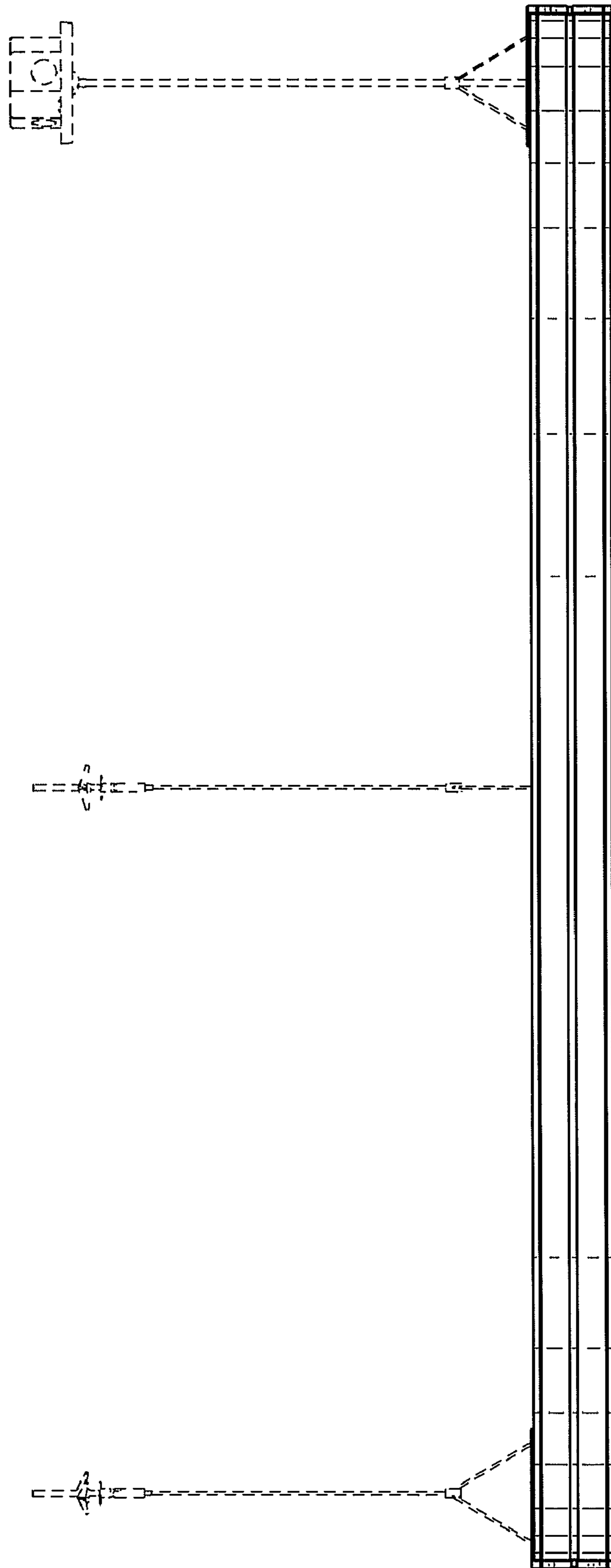


FIG. 17



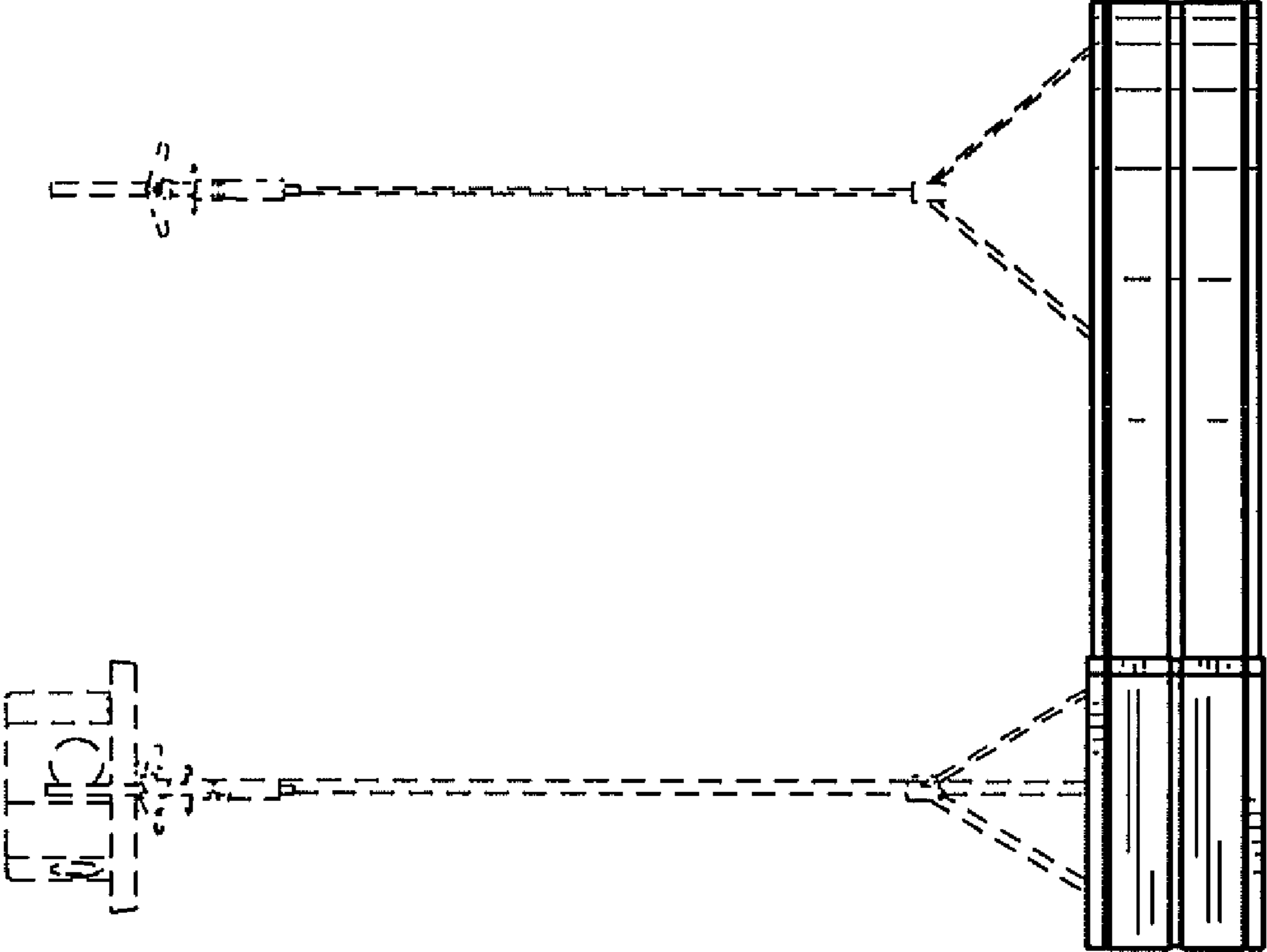
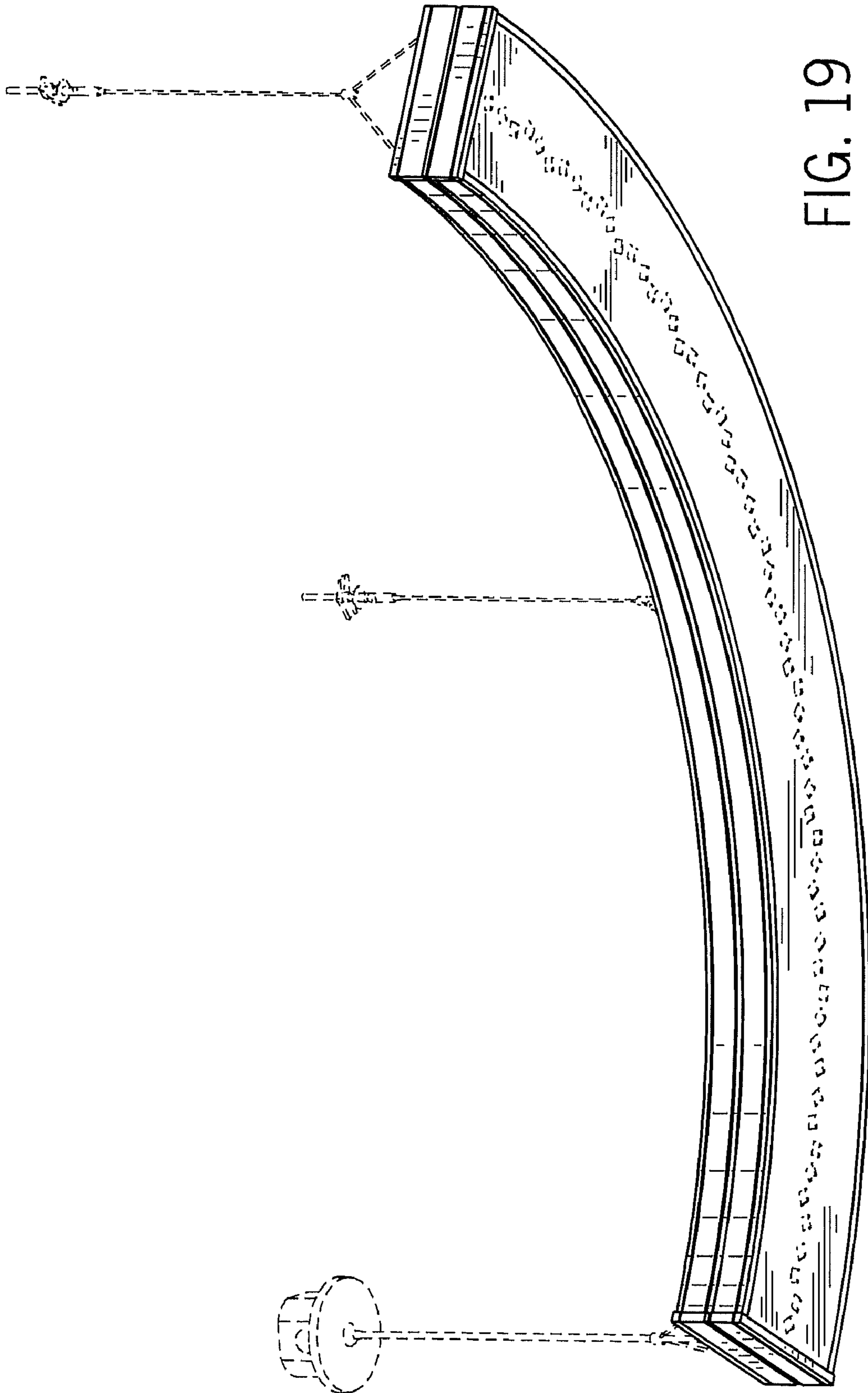


FIG. 18



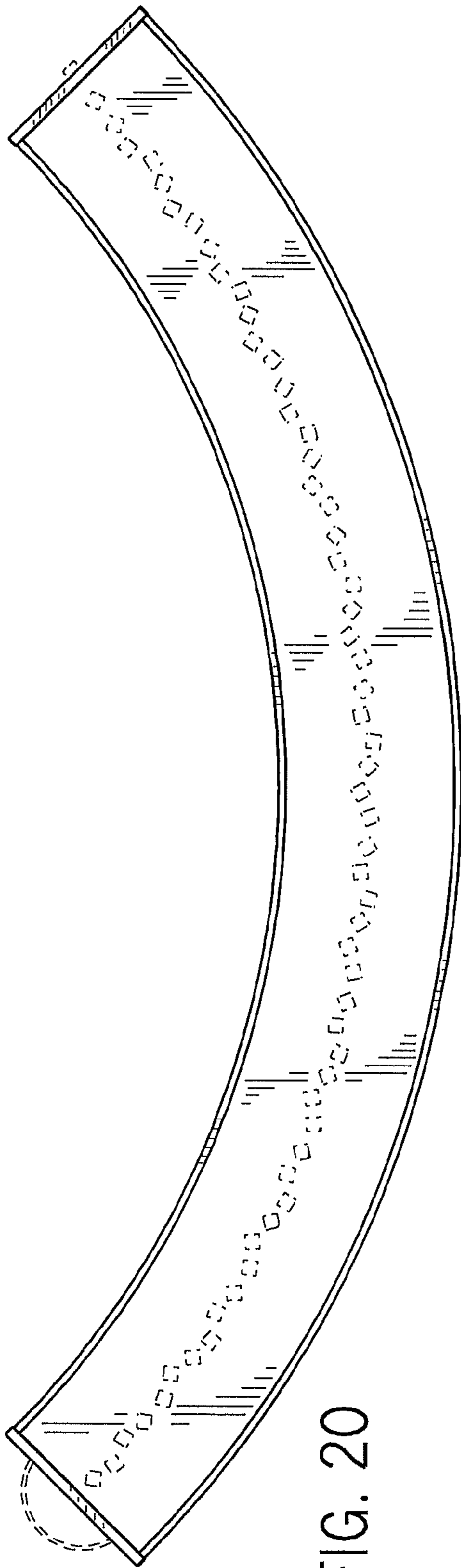


FIG. 20

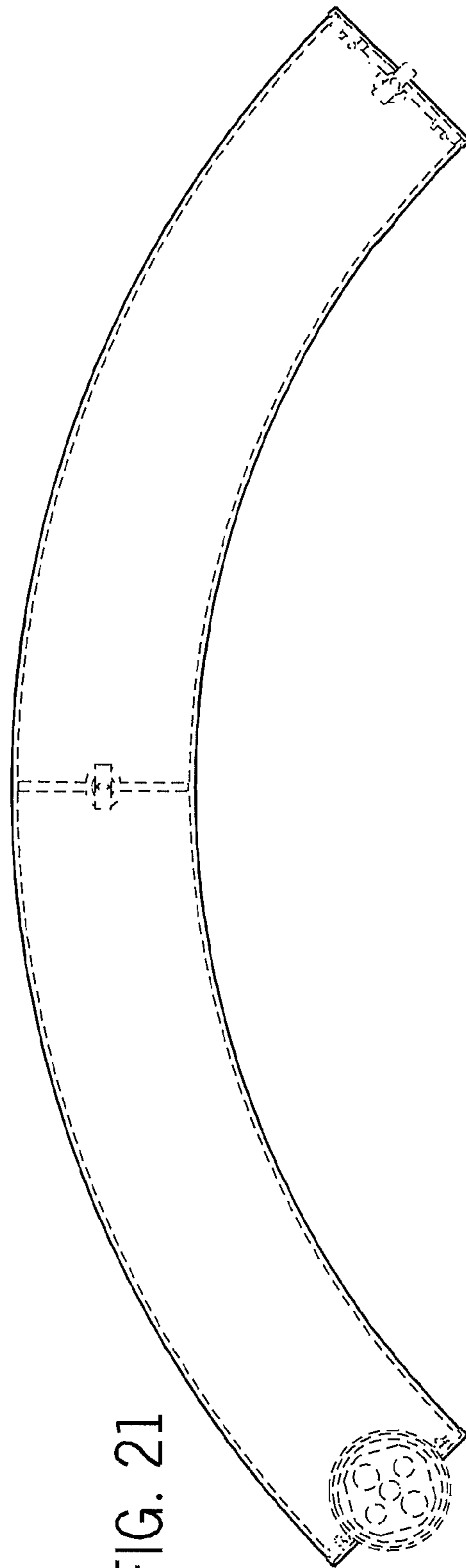


FIG. 21

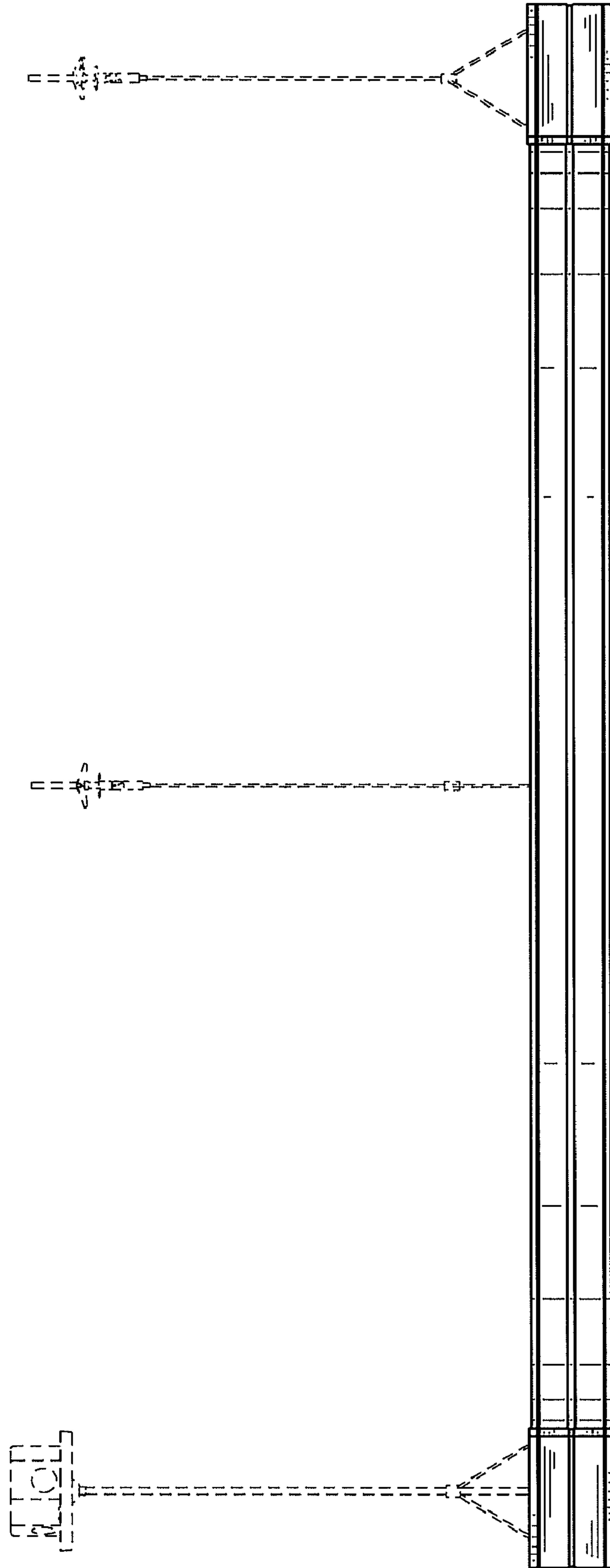


FIG. 22

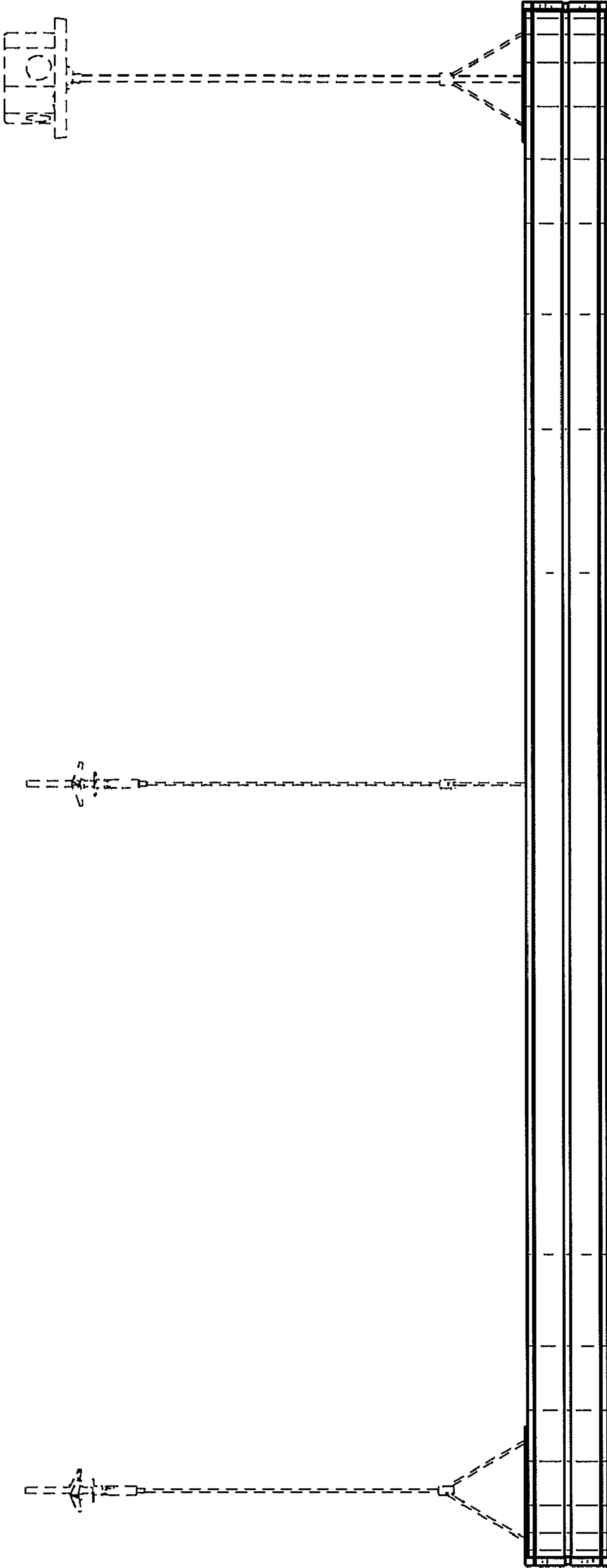


FIG. 23

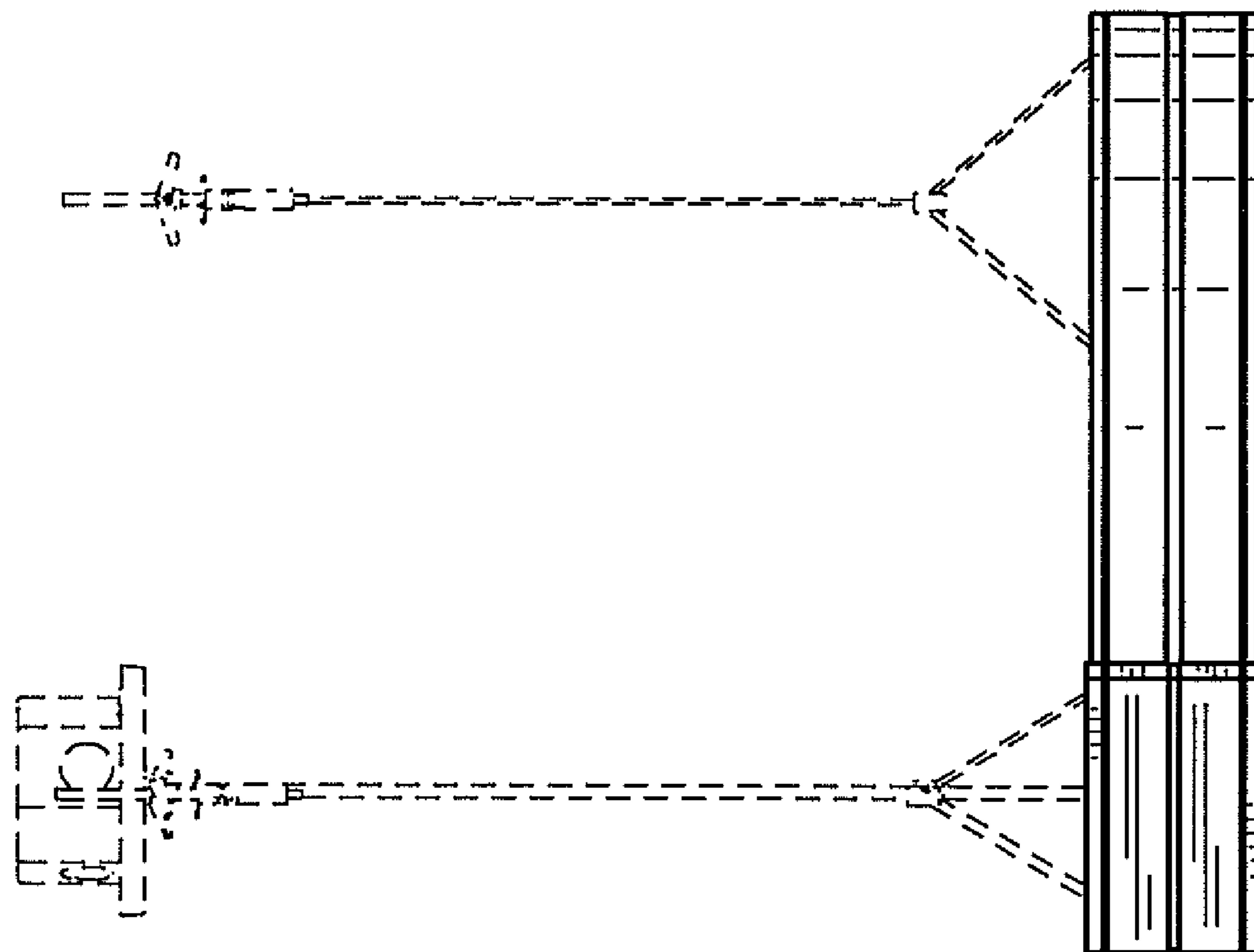


FIG. 24