



US00D591442S

(12) **United States Design Patent**  
**Ford et al.**

(10) **Patent No.:** **US D591,442 S**  
(45) **Date of Patent:** **\*\* Apr. 28, 2009**

(54) **LUMINAIRE**

(75) Inventors: **Paul Ford**, New Haven, CT (US);  
**Sylvan Shemitz**, Woodbridge, CT (US);  
**Kevin Gilmore**, West Haven, CT (US)

(73) Assignee: **Elliptipar**, West Haven, CT (US)

(\*\*) Term: **14 Years**

(21) Appl. No.: **29/279,319**

(22) Filed: **Apr. 26, 2007**

(51) **LOC (9) Cl.** ..... **26-03**

(52) **U.S. Cl.** ..... **D26/77**

(58) **Field of Classification Search** ..... D26/2,  
D26/7, 24, 35, 61, 67, 72, 74-79, 81-92,  
D26/113, 118, 122; 362/147, 217-225, 132,  
362/260-263, 267, 283, 337, 364, 376; 43/113;  
D14/209, 212, 216; 52/98; D23/372, 328,  
D23/385

See application file for complete search history.

(56) **References Cited**

**U.S. PATENT DOCUMENTS**

D130,449 S *	11/1941	Weber	.....	D26/76
D135,092 S *	2/1943	Biller	.....	D26/75
D192,124 S *	1/1962	Michaud	.....	D26/76
3,069,537 A *	12/1962	Dayton et al.	.....	362/222
4,334,211 A *	6/1982	McConnell et al.	.....	340/474
D274,657 S *	7/1984	Herst et al.	.....	D26/76
D300,953 S *	5/1989	Hughes et al.	.....	D26/78
RE33,471 E *	12/1990	Herst et al.	.....	362/223
D333,190 S *	2/1993	Waldmann	.....	D26/75
D349,173 S *	7/1994	Fellinger	.....	D26/85
D353,466 S *	12/1994	McCue et al.	.....	D25/38
5,420,774 A *	5/1995	Wilson	.....	362/376
D360,047 S *	7/1995	Zimmerman et al.	.....	D26/67
D421,815 S *	3/2000	Herst et al.	.....	D26/76
D446,877 S *	8/2001	Lester	.....	D26/72

D452,579 S *	12/2001	Shemitz et al.	.....	D26/76
D459,012 S *	6/2002	Shemitz et al.	.....	D26/76
D459,517 S *	6/2002	Shemitz et al.	.....	D26/76
6,652,118 B2 *	11/2003	Shemitz et al.	.....	362/225
D489,472 S *	5/2004	Newhouse et al.	.....	D26/75
D501,845 S *	2/2005	Allen	.....	D14/216
6,860,618 B2 *	3/2005	Shemitz et al.	.....	362/225
D519,491 S *	4/2006	Allen	.....	D14/212
D565,785 S *	4/2008	Kerr	.....	D26/113

\* cited by examiner

*Primary Examiner*—Robert M Spear

*Assistant Examiner*—Susan E Krakower

(74) *Attorney, Agent, or Firm*—Cantor Colburn LLP

(57) **CLAIM**

We claim, the ornamental design for a luminaire, as shown and described.

**DESCRIPTION**

FIG. 1 is a partial top, front perspective view of a luminaire, showing our new design;

FIG. 2 is a partial top, rear perspective view thereof;

FIG. 3 is a partial bottom, front perspective view thereof;

FIG. 4 is a partial bottom, rear perspective view thereof;

FIG. 5 is a partial front elevation view thereof, shown at a reduced scale;

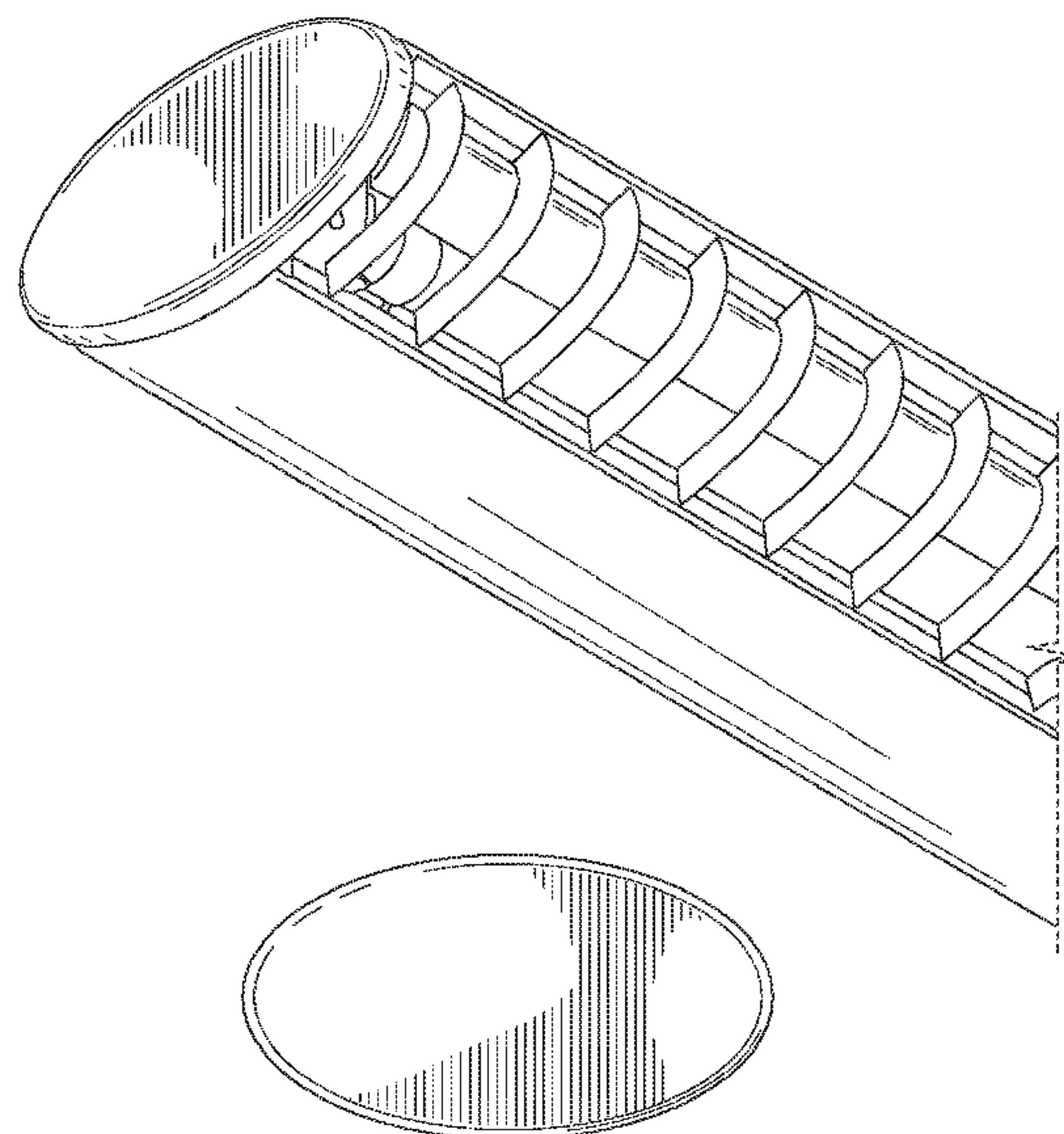
FIG. 6 is a partial rear elevation view thereof, shown at a reduced scale; and,

FIG. 7 is a side elevation view thereof, the opposite side being a mirror image thereof.

The broken lines in FIGS. 1-7, which define bounds, form no part of the claimed design.

As indicated by said broken lines, no particular length of the luminaire is intended.

**1 Claim, 5 Drawing Sheets**



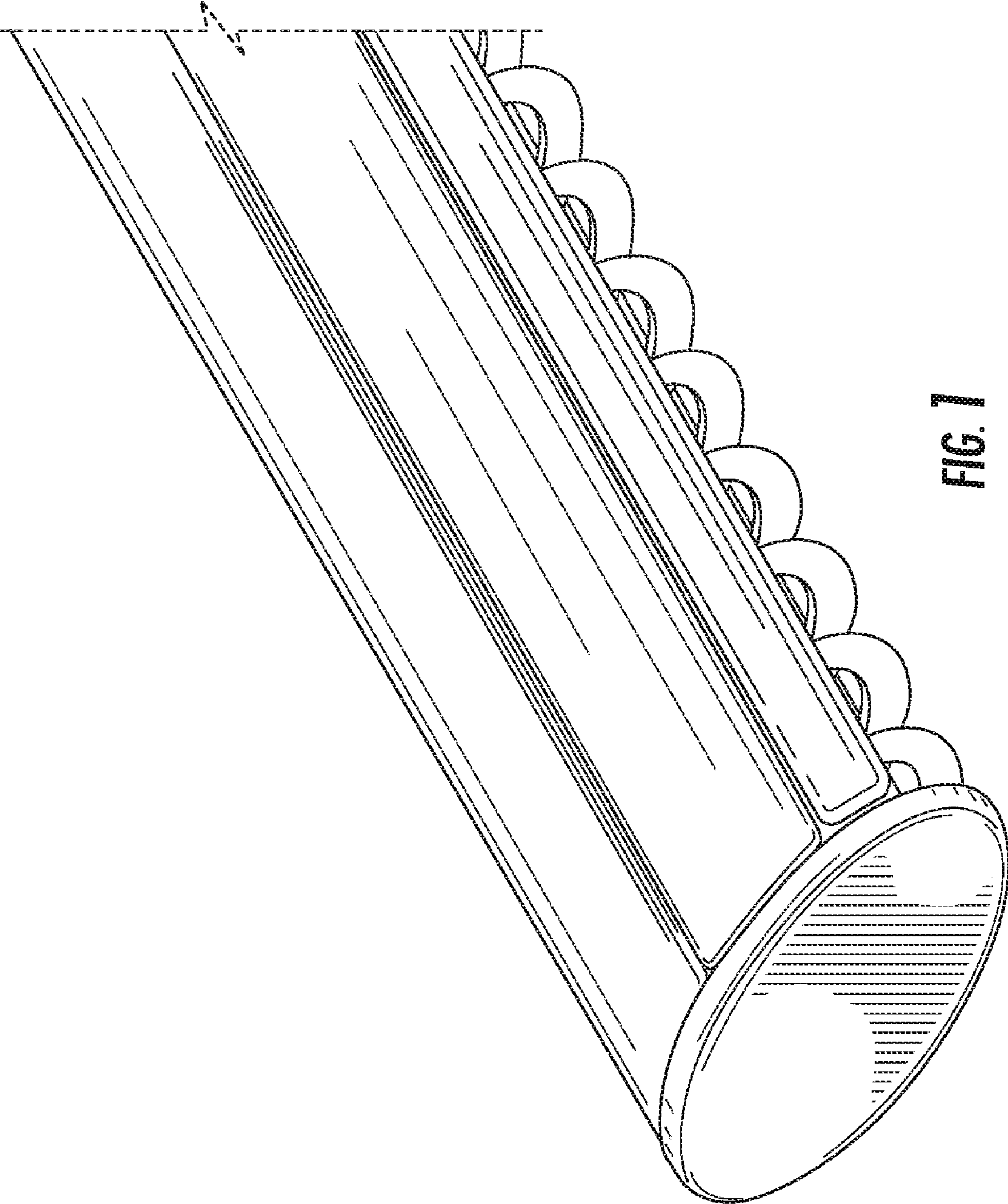


FIG. 1

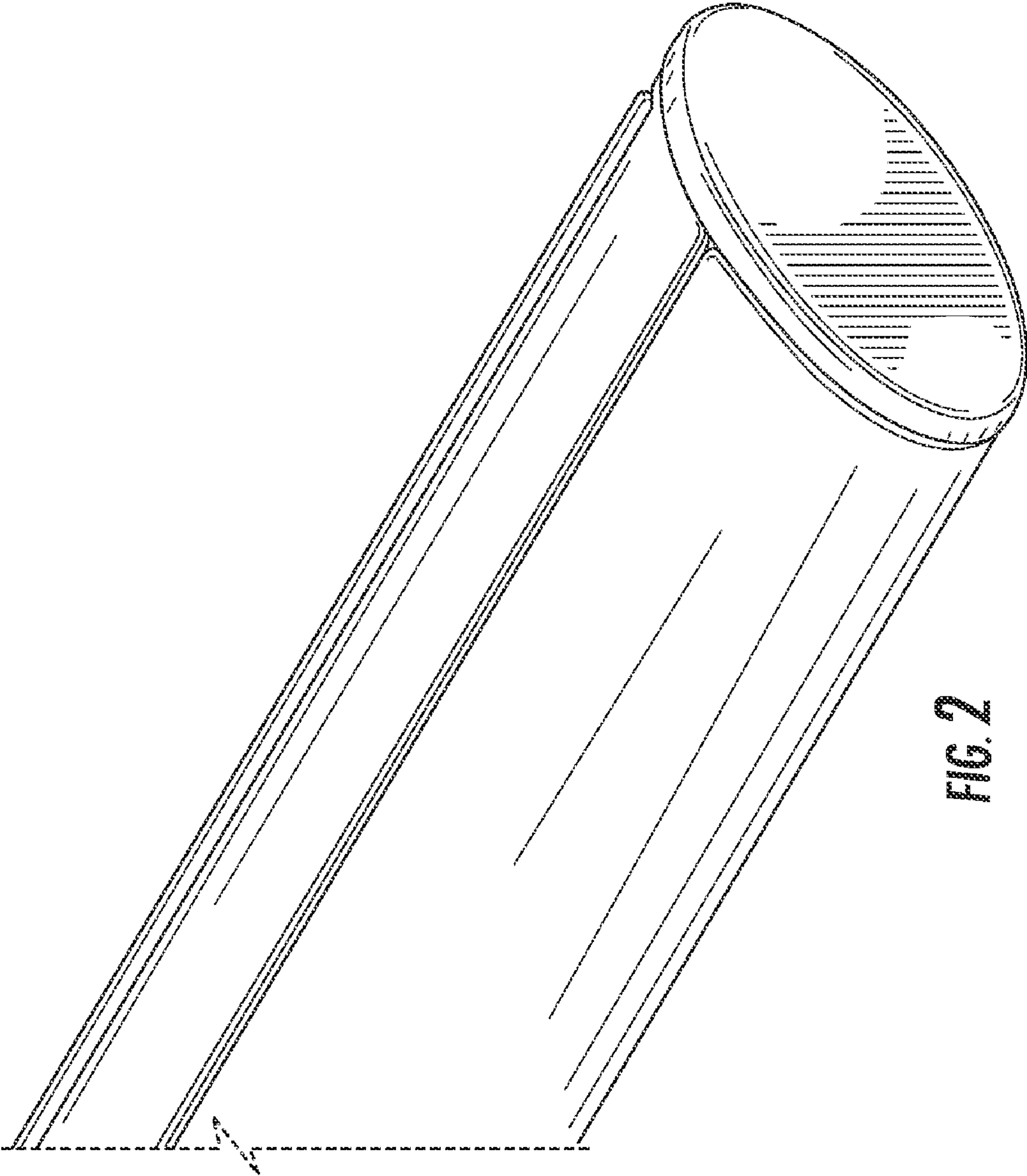


FIG. 2



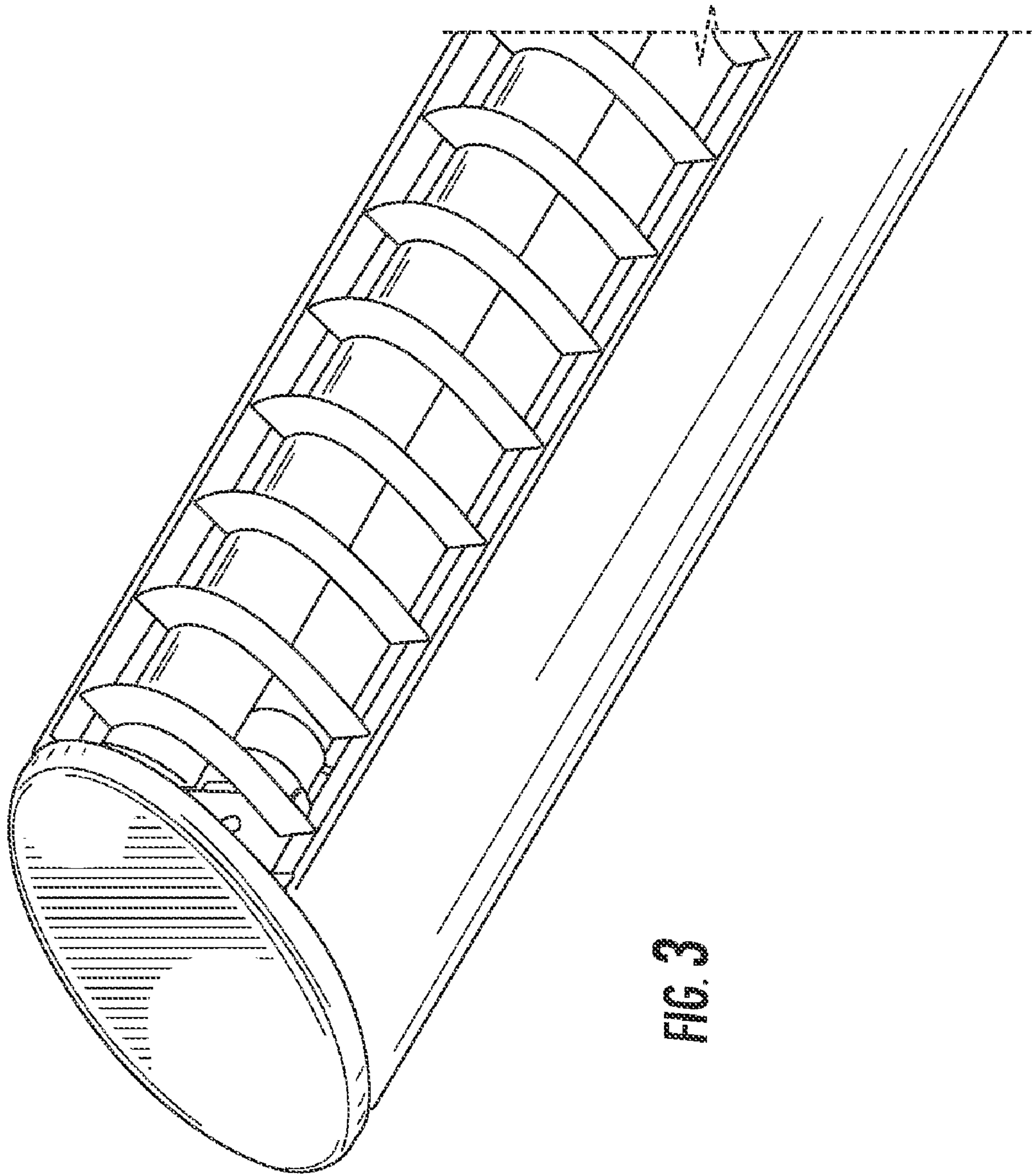


FIG. 3

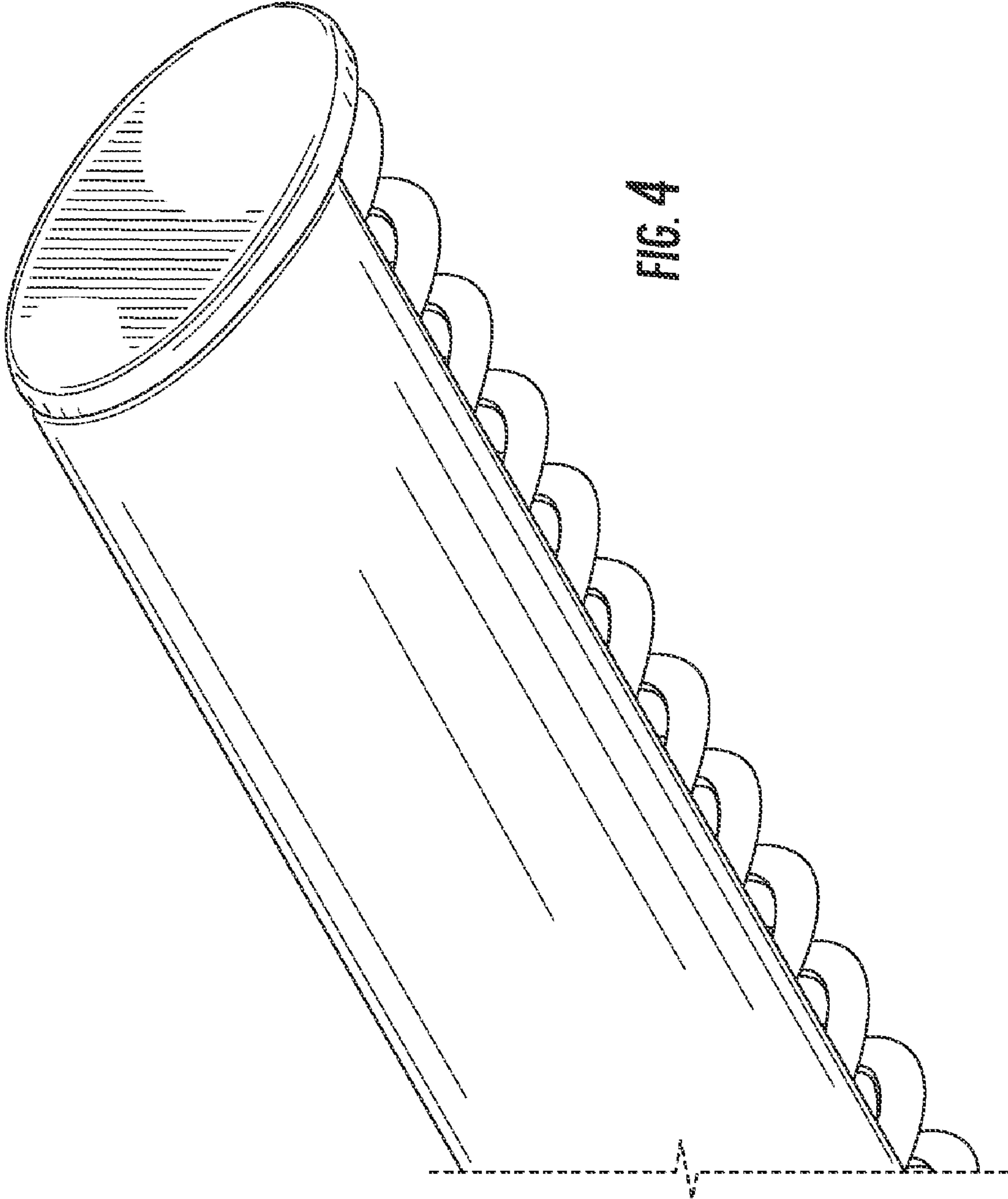


FIG. 4

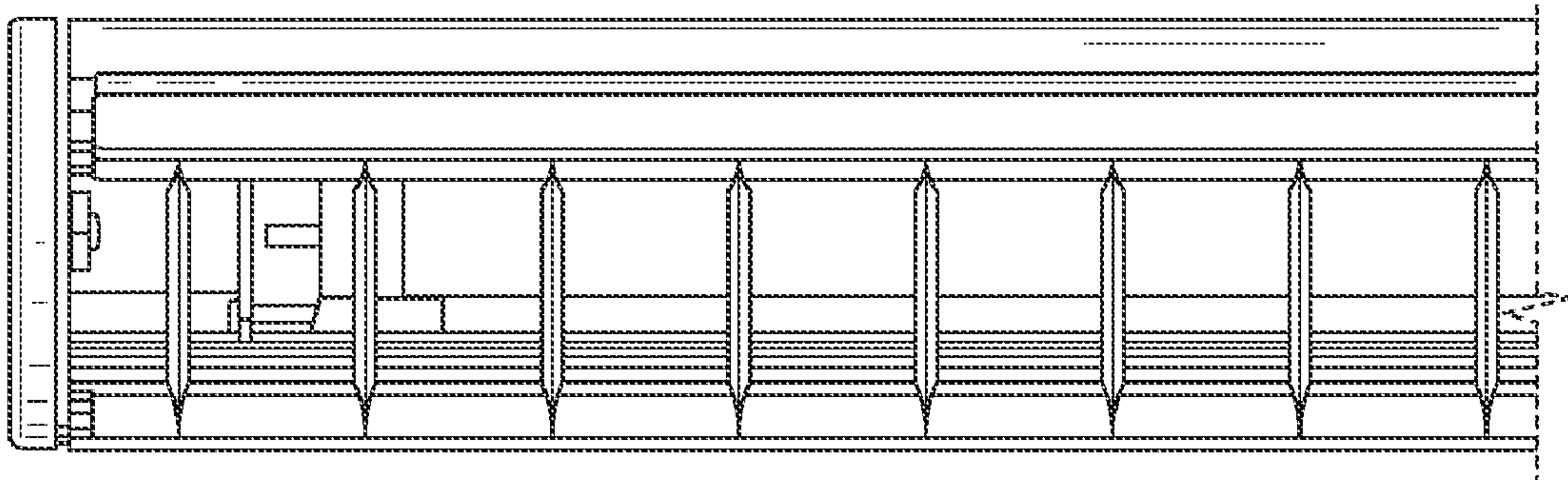


FIG. 5

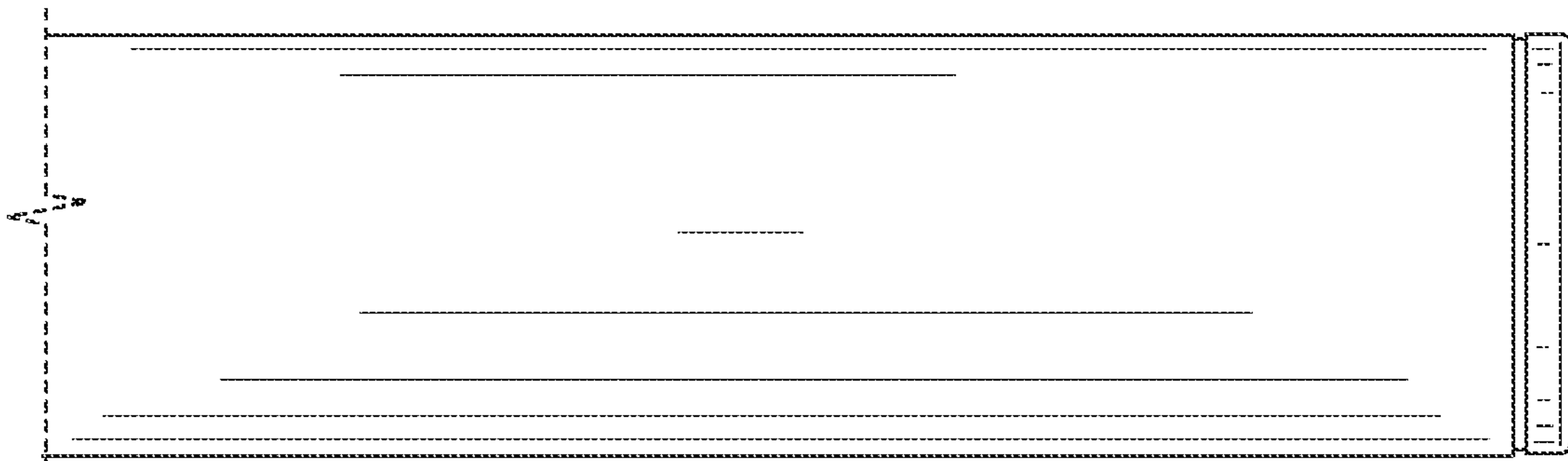


FIG. 6

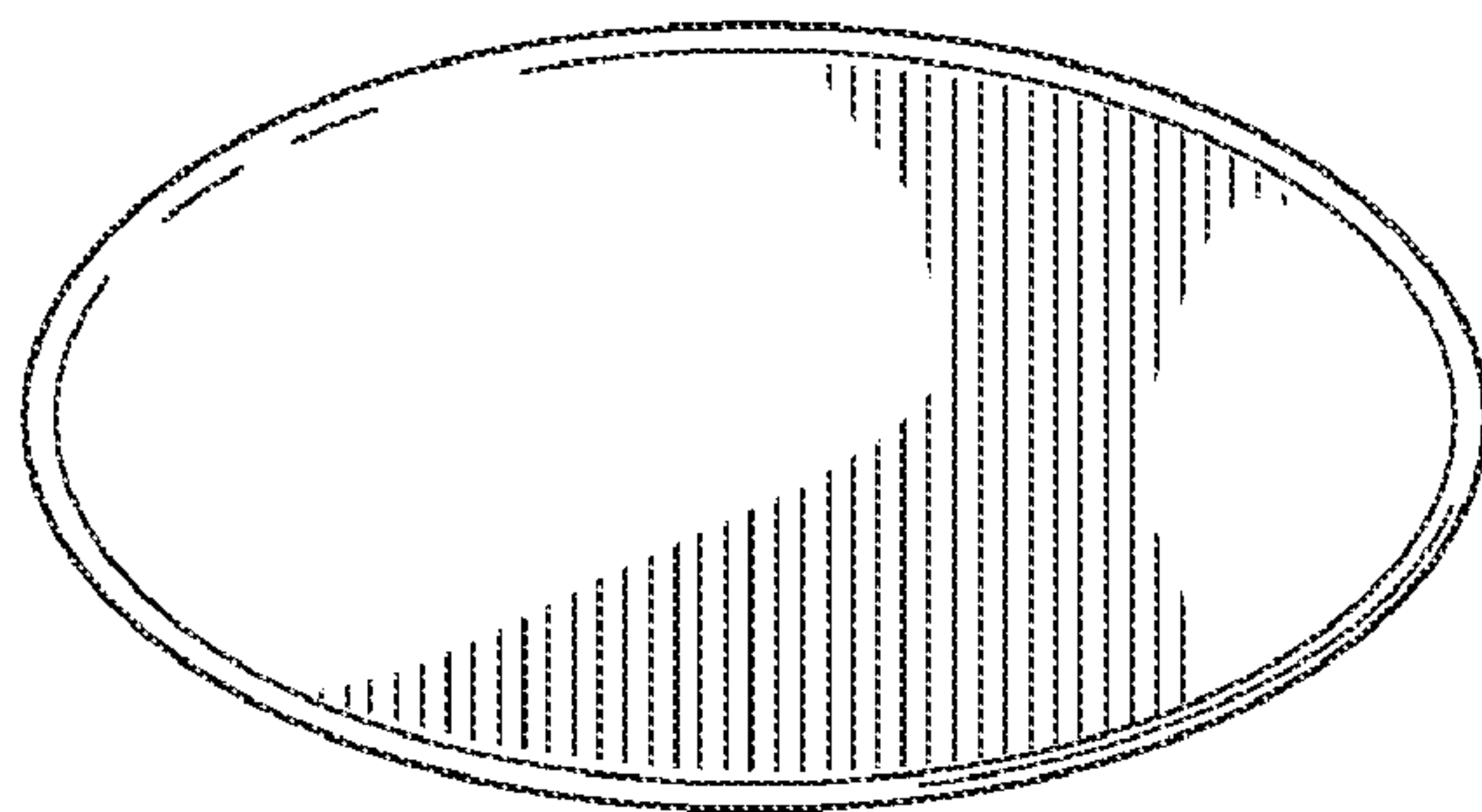


FIG. 7