



US00D591441S

(12) **United States Design Patent**
Harris

(10) **Patent No.:** **US D591,441 S**
(45) **Date of Patent:** **** Apr. 28, 2009**

(54) **SIMULATIVE BRA LAMP**

(76) Inventor: **Christiane Harris**, 1812 Hayden St.,
Camarillo, CA (US) 93010

(**) Term: **14 Years**

(21) Appl. No.: **29/279,762**

(22) Filed: **May 7, 2007**

(51) **LOC (9) Cl.** **26-05**

(52) **U.S. Cl.** **D26/73**

(58) **Field of Classification Search** D26/85,
D26/73, 99, 125, 126, 25, 26; D2/701, 702,
D2/703, 706; D20/31-33; 362/147, 644,
362/253, 432, 806, 808, 812

See application file for complete search history.

(56) **References Cited**

U.S. PATENT DOCUMENTS

D61,051 S *	6/1922	Oppenheim	D20/29
D156,610 S *	12/1949	De Lu	D26/99
D159,512 S *	8/1950	Paolillo	D20/32
2,579,547 A *	12/1951	Cadous	D2/702
D169,510 S *	5/1953	LaBue et al.	D2/702
D169,511 S *	5/1953	LaBue et al.	D2/702
D174,114 S *	3/1955	Dior	D2/702
2,884,927 A *	5/1959	Goldstein	D2/703
3,164,309 A *	1/1965	Thompson et al.	D20/32
D462,474 S *	9/2002	Huang	D26/99
7,374,070 B2 *	5/2008	Dikes	223/85

OTHER PUBLICATIONS

Hand Made TrampLamps by Kelly Kerrigan found at etsy.com on Aug. 3, 2008. 1.) "Beasley-a" Listing # 10869081; 2.) "Christa-a" Listing # 10868683; and 3.) "Sylvie-a" Listing # 10868641.*

* cited by examiner

Primary Examiner—Clare E Heflin

(74) *Attorney, Agent, or Firm*—Tope-McKay & Associates

(57) **CLAIM**

I claim the ornamental design for a simulative bra lamp, as shown and described.

DESCRIPTION

FIG. 1 is a front elevation view of a simulative bra lamp showing my new design;

FIG. 2 is a top plan view thereof;

FIG. 3 is a bottom perspective view thereof;

FIG. 4 is a side elevation view thereof;

FIG. 5 is an opposite side elevation view thereof;

FIG. 6 is a side perspective view thereof;

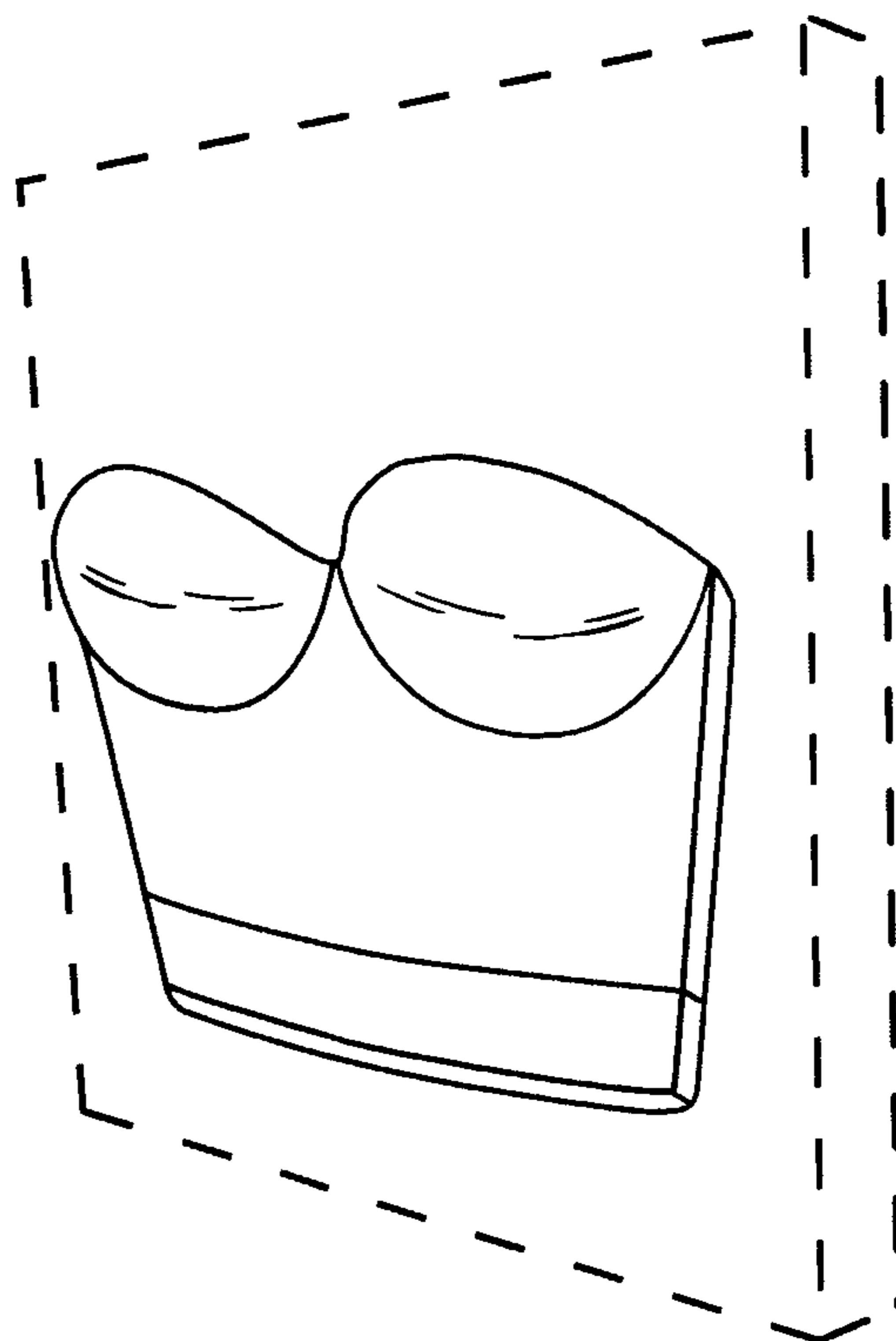
FIG. 7 is an opposite side perspective view thereof;

FIG. 8 is a top and one side perspective view thereof; and,

FIG. 9 is a top and opposite side perspective view thereof.

The broken lines depict environmental structure only and form no part of the claimed design.

1 Claim, 9 Drawing Sheets



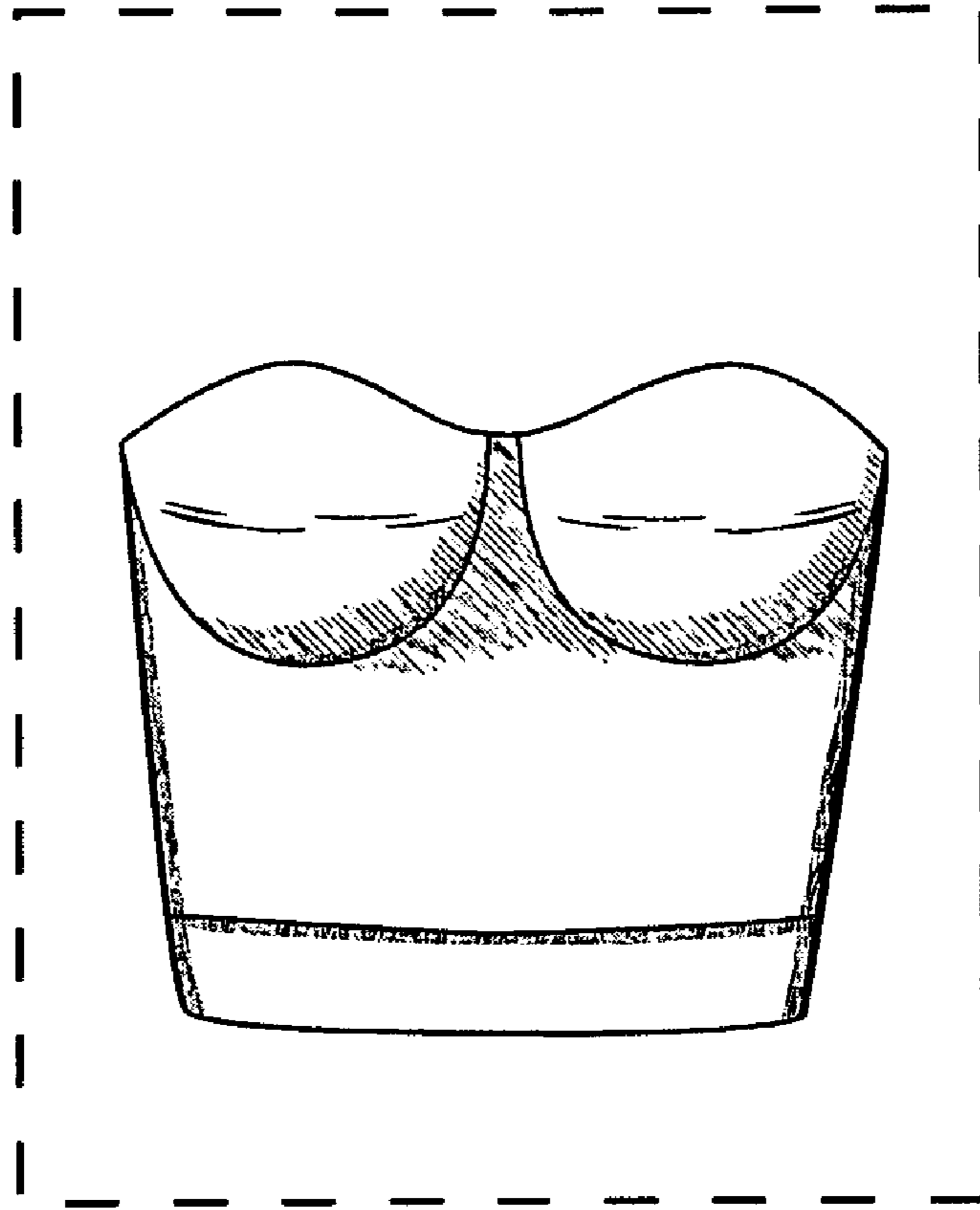


FIG. 1

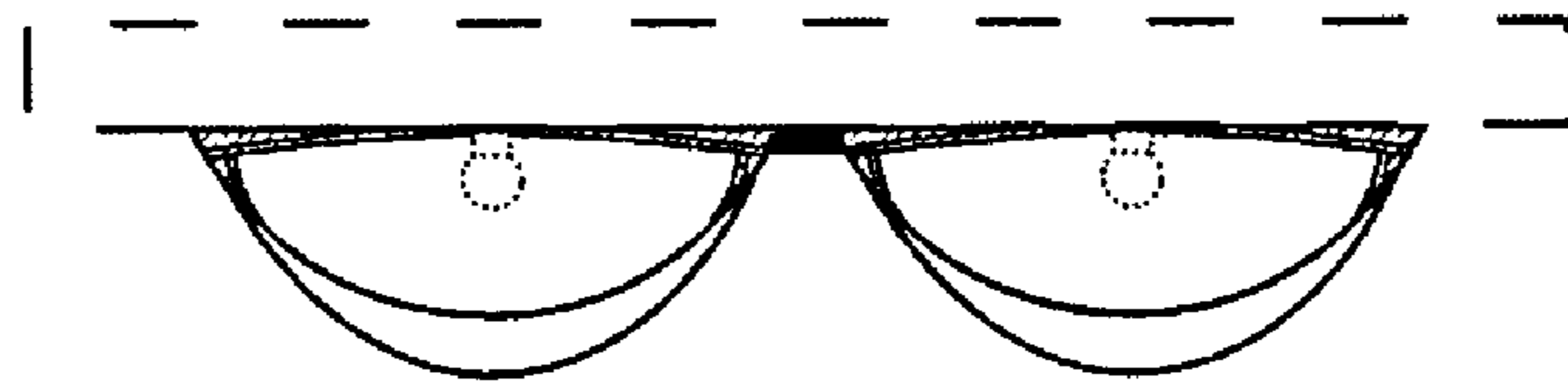


FIG. 2

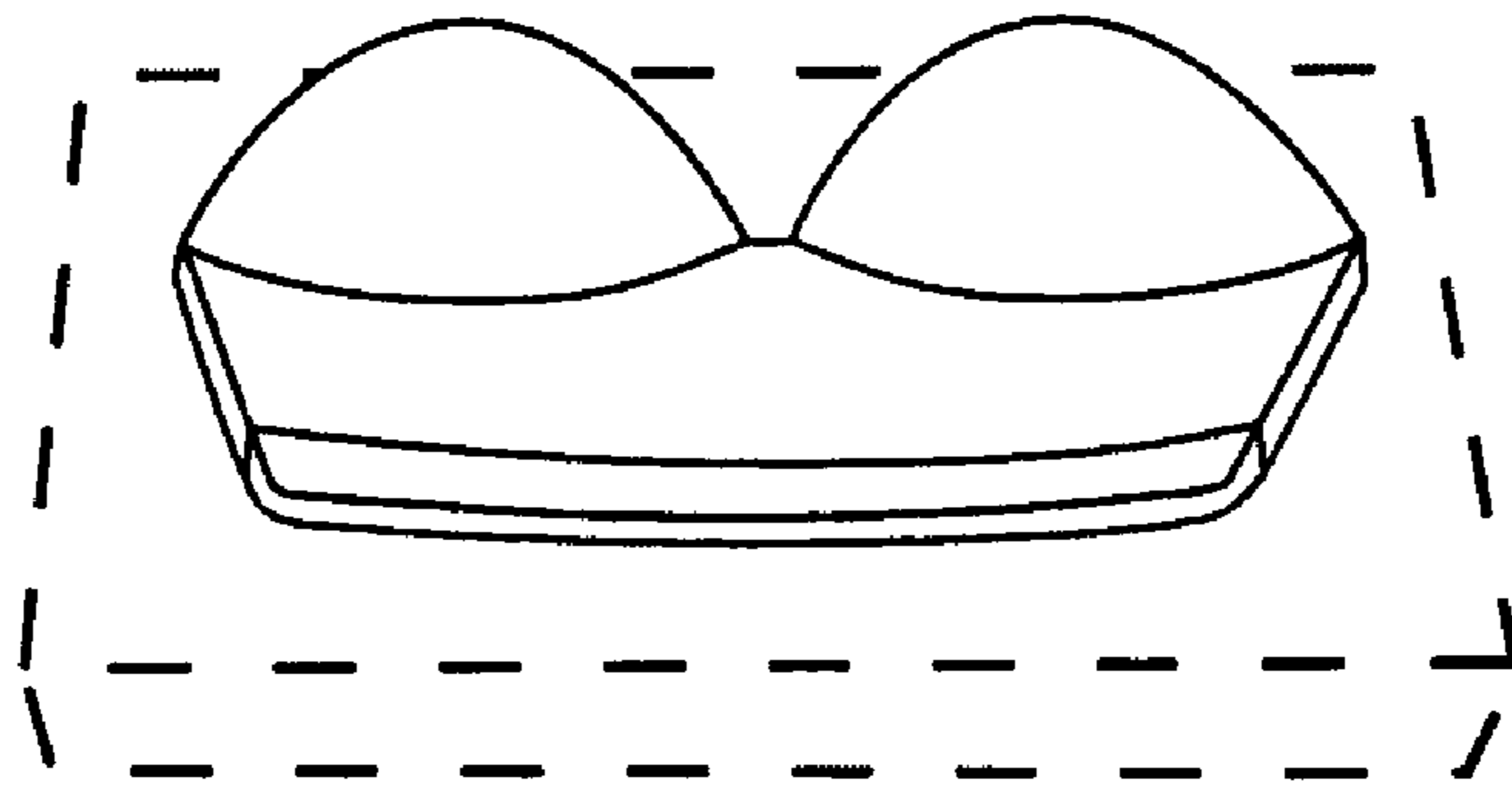


FIG. 3

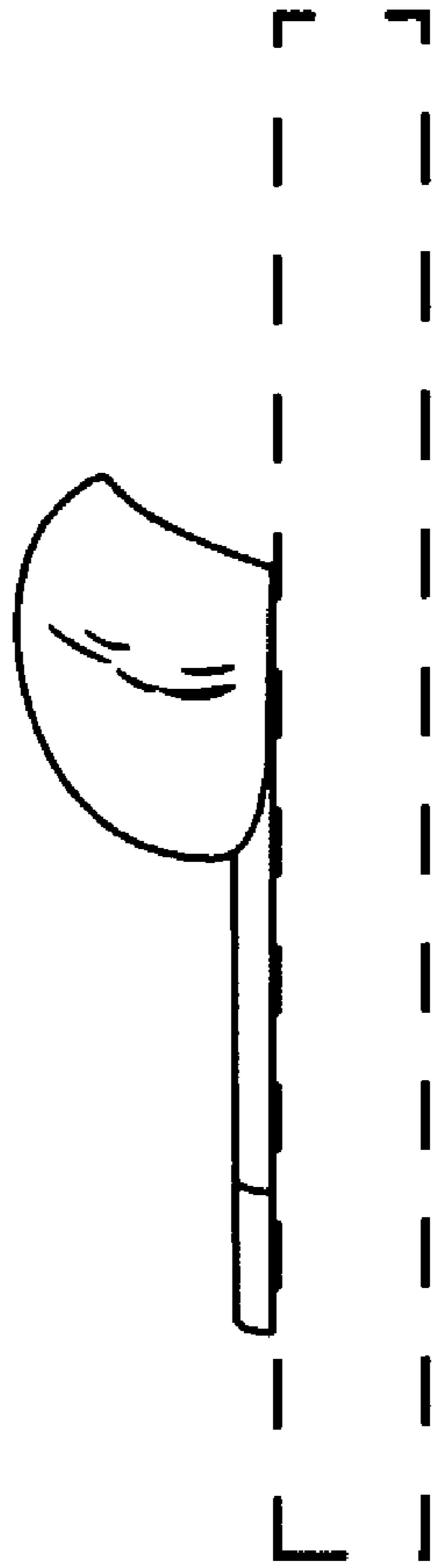


FIG. 4

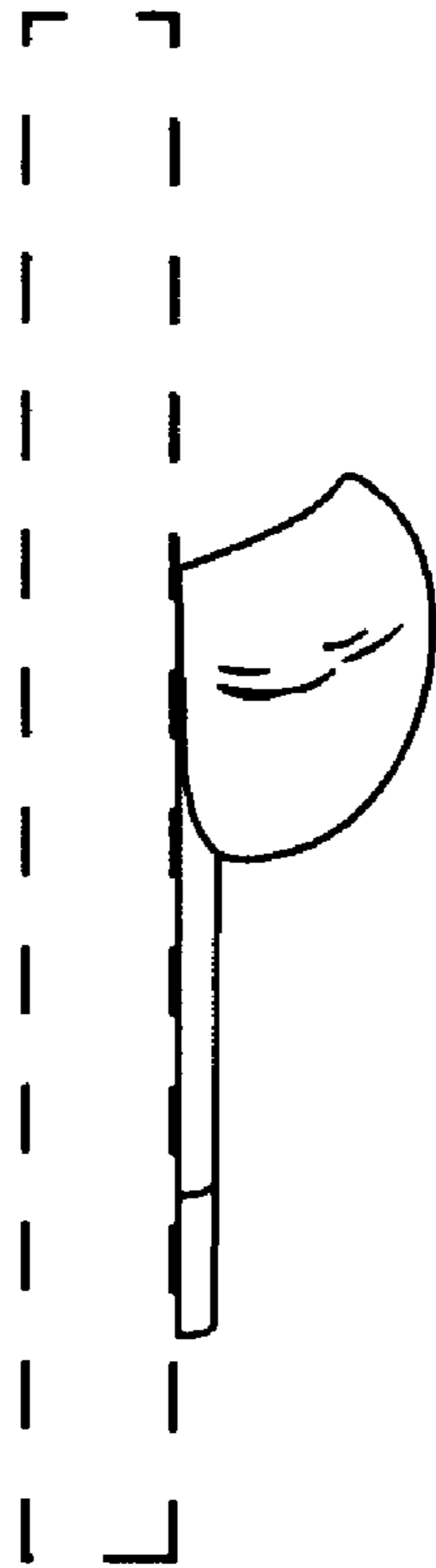


FIG. 5

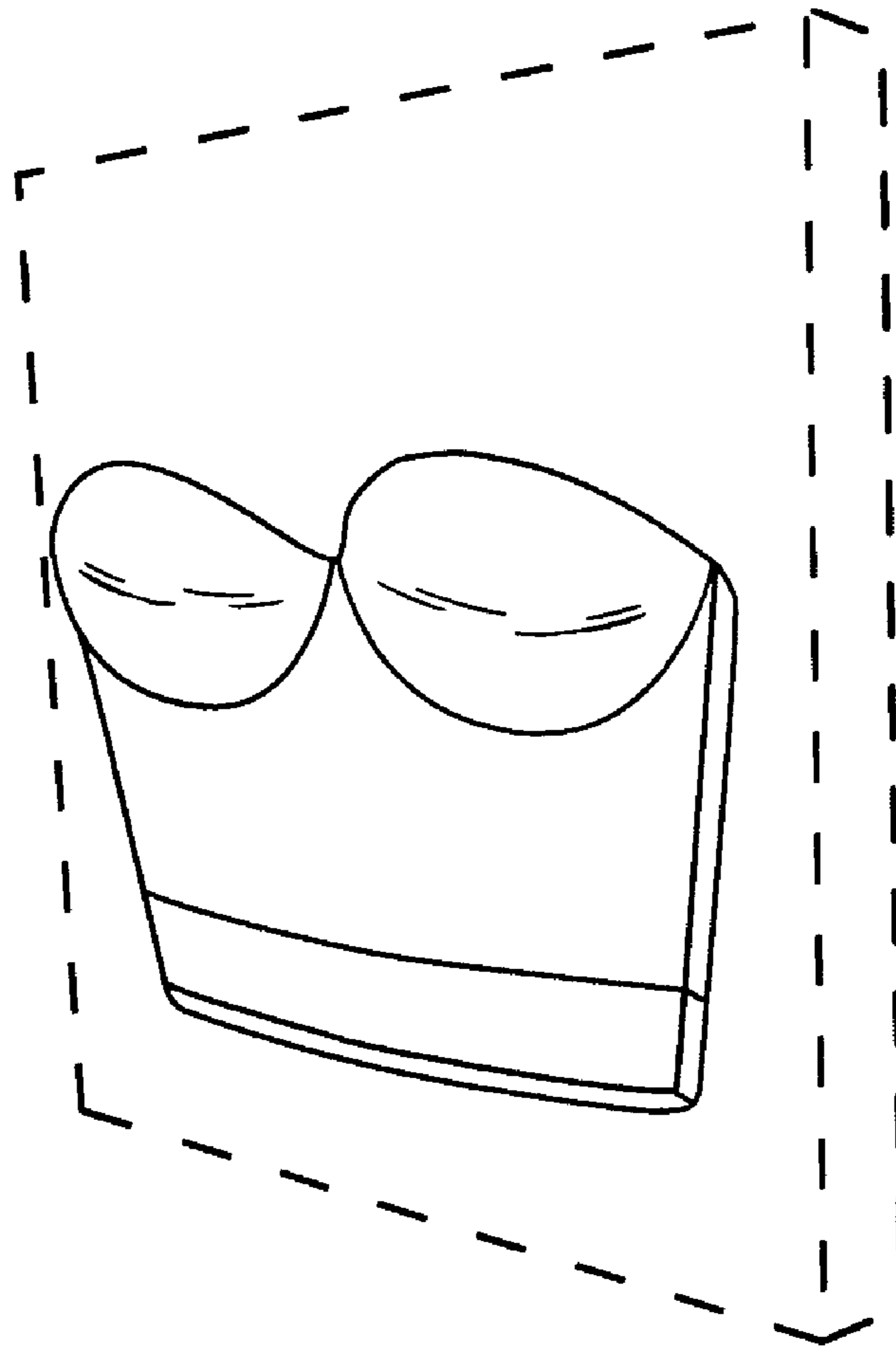


FIG. 6

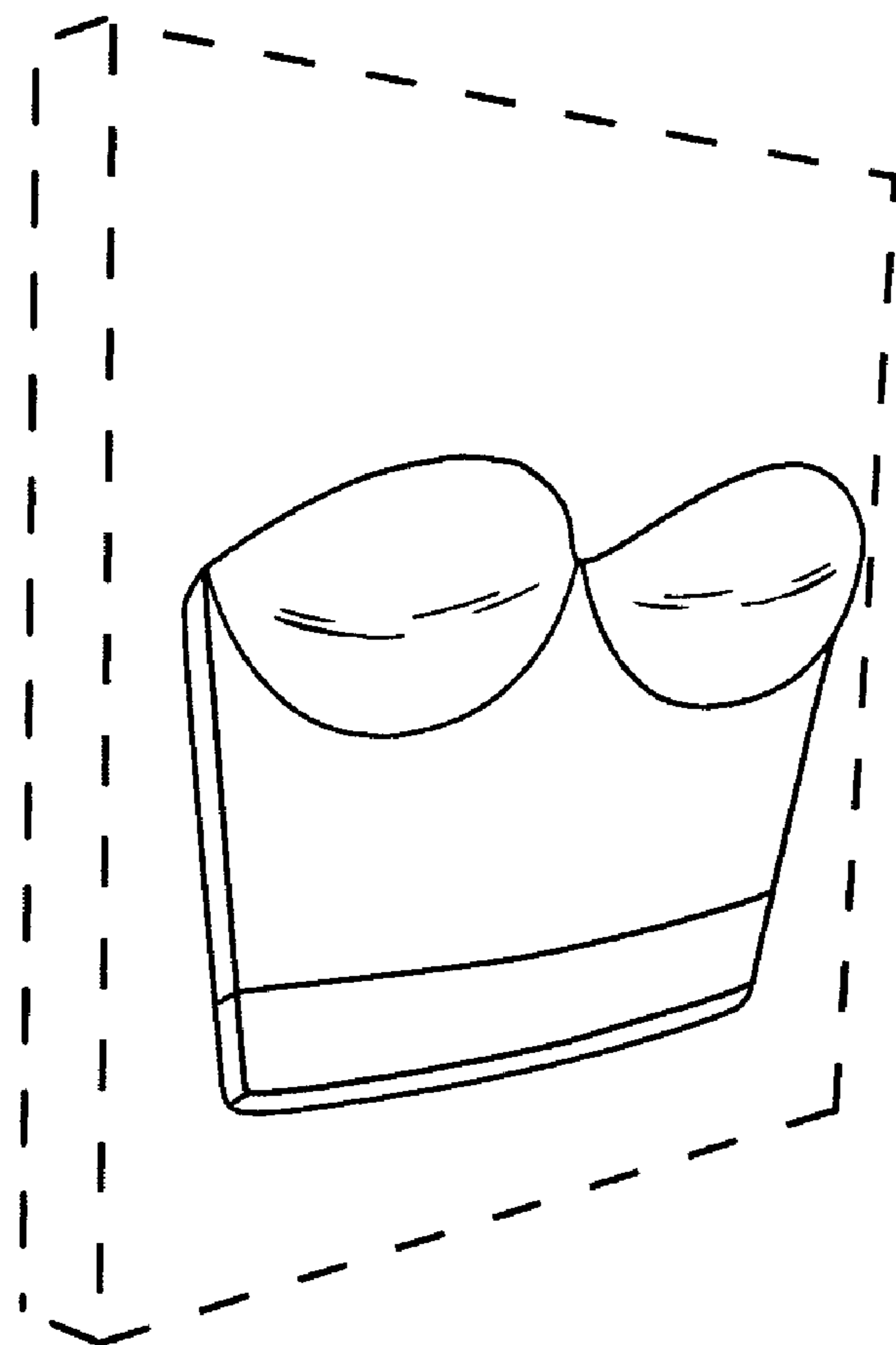


FIG. 7

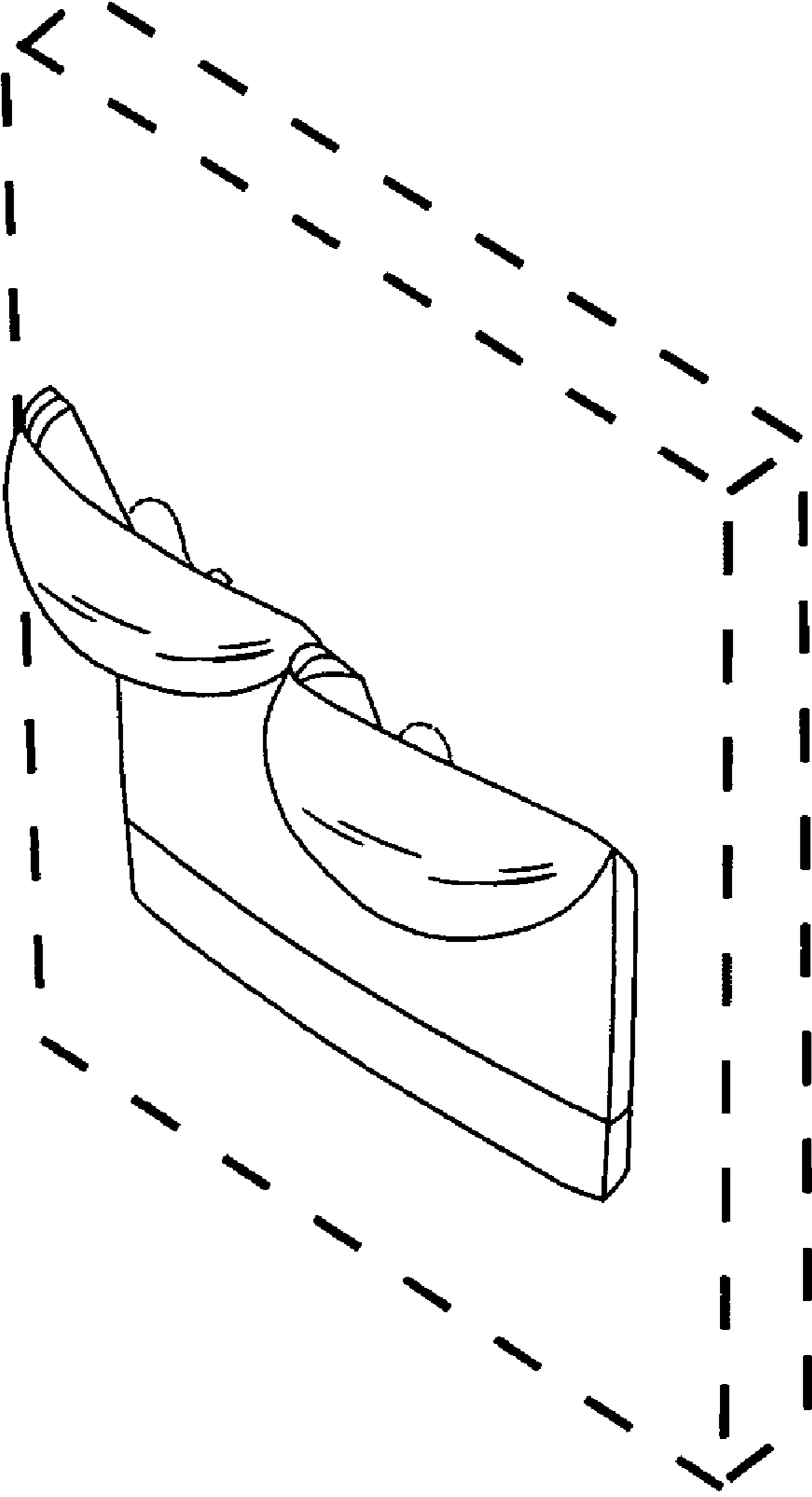


FIG. 8

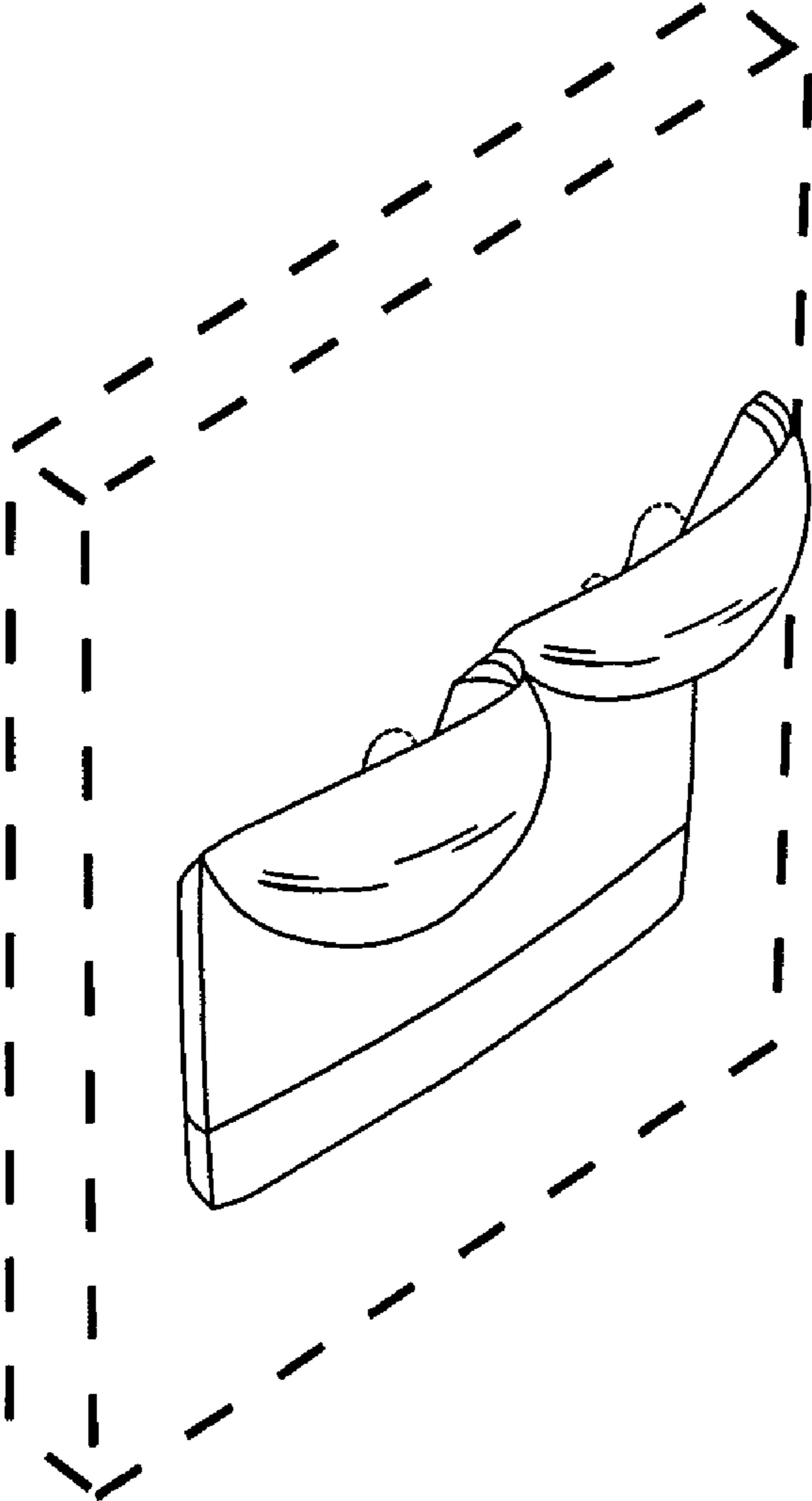


FIG. 9