



US00D591439S

(12) **United States Design Patent**  
**Cristoforo**

(10) **Patent No.:** **US D591,439 S**

(45) **Date of Patent:** **\*\* Apr. 28, 2009**

(54) **EAR HOOK WITH REMOVABLE LIGHT**

(76) Inventor: **Michael Cristoforo**, 5155 SW. Bimini Cir., S., Palm City, FL (US) 34990

(\*\*) Term: **14 Years**

(21) Appl. No.: **29/323,470**

(22) Filed: **Aug. 26, 2008**

(51) **LOC (9) Cl.** ..... **26-02**

(52) **U.S. Cl.** ..... **D26/39**

(58) **Field of Classification Search** ..... D26/39,  
D26/37, 38, 51, 41, 46, 50; 362/157, 158,  
362/194, 197, 198, 191, 200, 202-206, 208  
See application file for complete search history.

(56) **References Cited**

**U.S. PATENT DOCUMENTS**

3,634,676	A *	1/1972	Castellano	.....	362/105
D297,172	S *	8/1988	Flohr	.....	D26/39
D345,814	S *	4/1994	Wright, III	.....	D26/138
D353,012	S *	11/1994	Mihavetz	.....	D26/39
D371,214	S *	6/1996	Terry, Sr.	.....	D26/49
D495,074	S *	8/2004	Oas	.....	D26/37
D526,079	S *	8/2006	Heun	.....	D26/60
7,097,321	B2 *	8/2006	Mehler et al.	.....	362/190
D536,467	S *	2/2007	Geringer	.....	D26/60
D577,846	S *	9/2008	LaBuzetta	.....	D26/60

\* cited by examiner

*Primary Examiner*—Ian Simmons

*Assistant Examiner*—Carissa C Fitts

(74) *Attorney, Agent, or Firm*—McHale & Slavin, P.A.

(57) **CLAIM**

The ornamental design for an ear hook with removable light, as shown and described.

**DESCRIPTION**

FIG. 1 is a perspective view of the ear hook with removable light of the instant invention;

FIG. 2 is a front view thereof;

FIG. 3 is a rear view thereof;

FIG. 4 is a left side view thereof;

FIG. 5 is a right side view thereof;

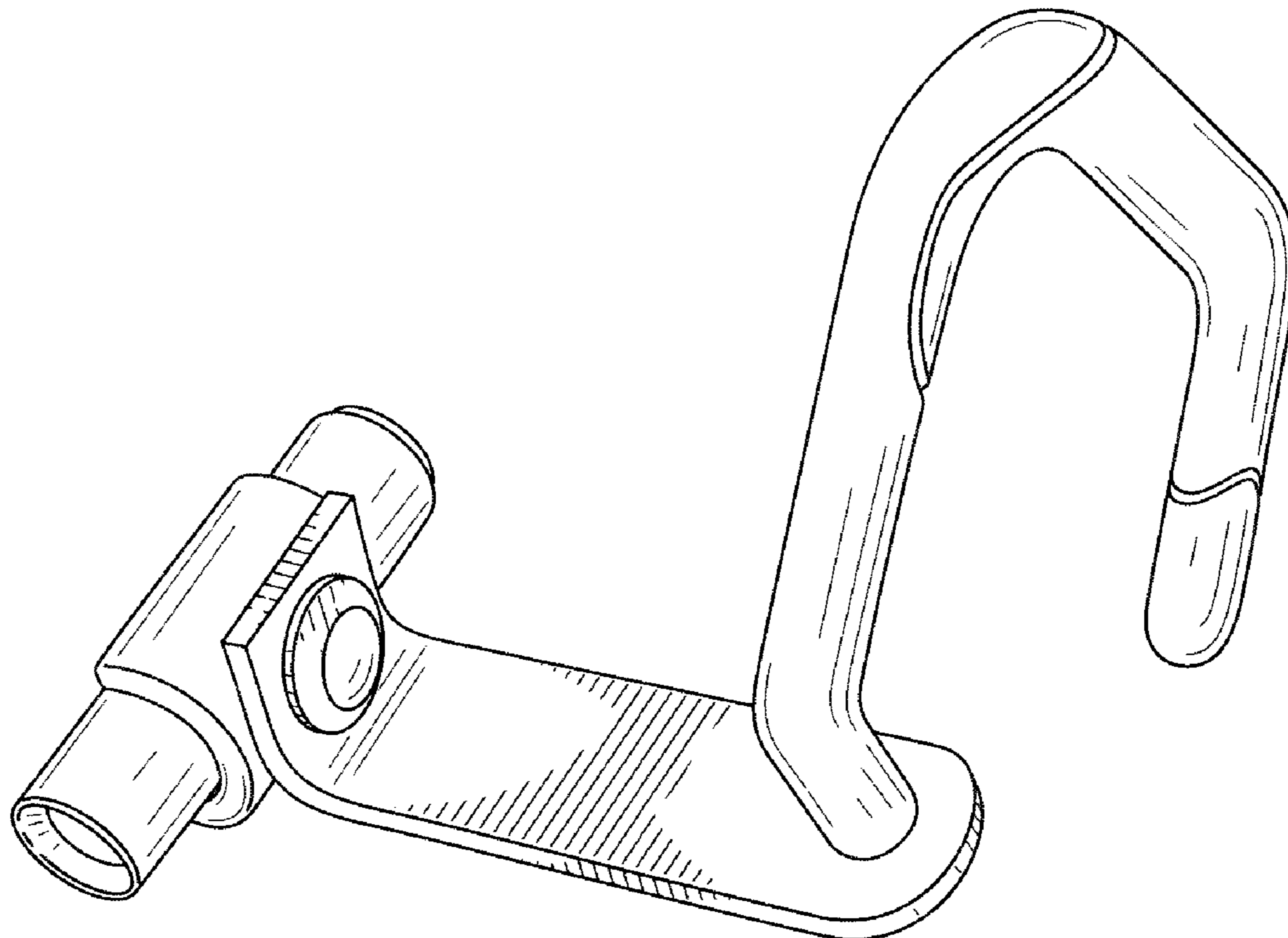
FIG. 6 is a top view thereof;

FIG. 7 is a bottom view thereof; and,

FIG. 8 is a perspective view illustrating the instant invention positioned around the ear of an individual.

The portions of figures illustrated in broken lines are for environmental purposes only and form no part of the claimed design.

**1 Claim, 6 Drawing Sheets**



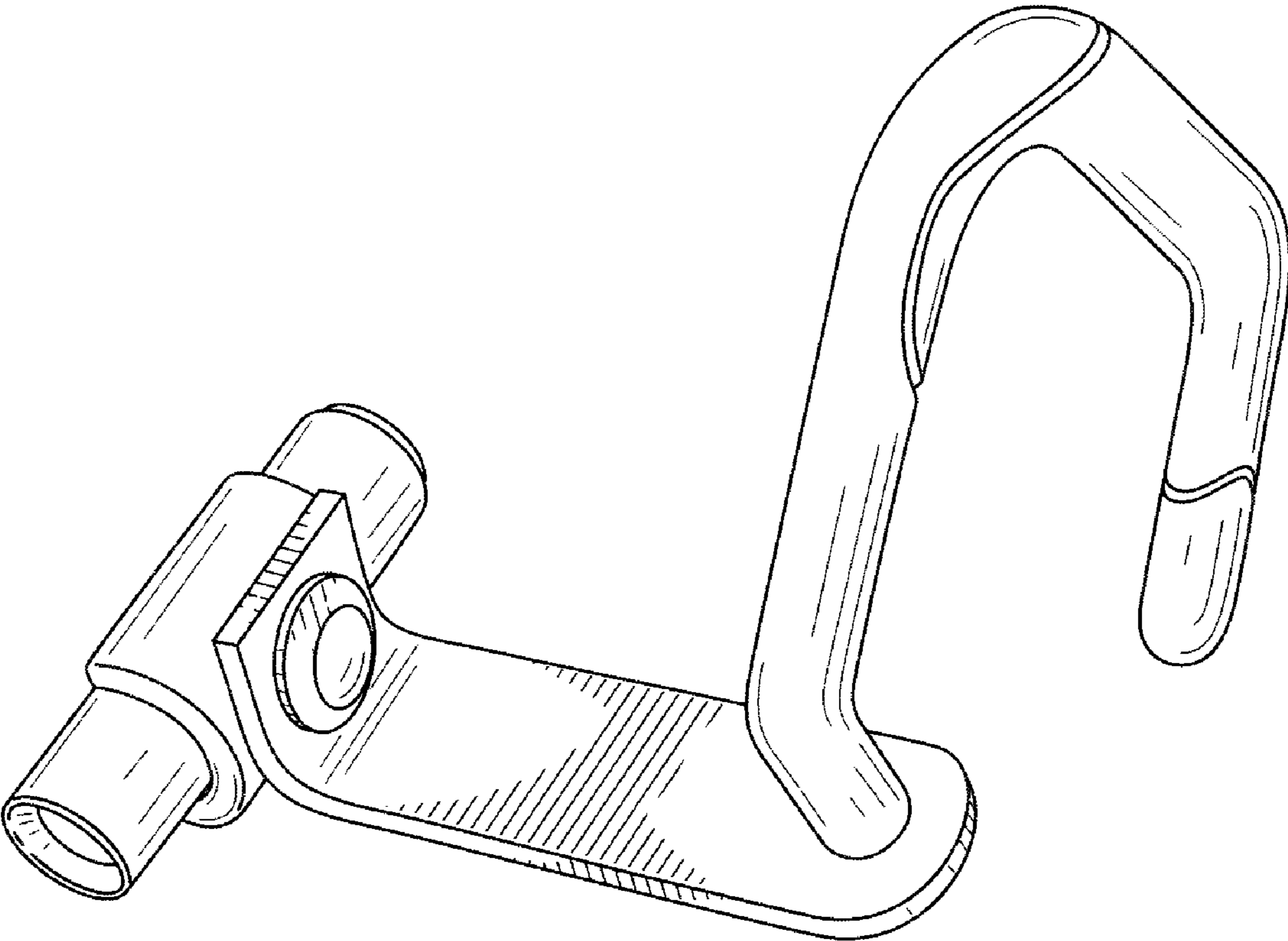
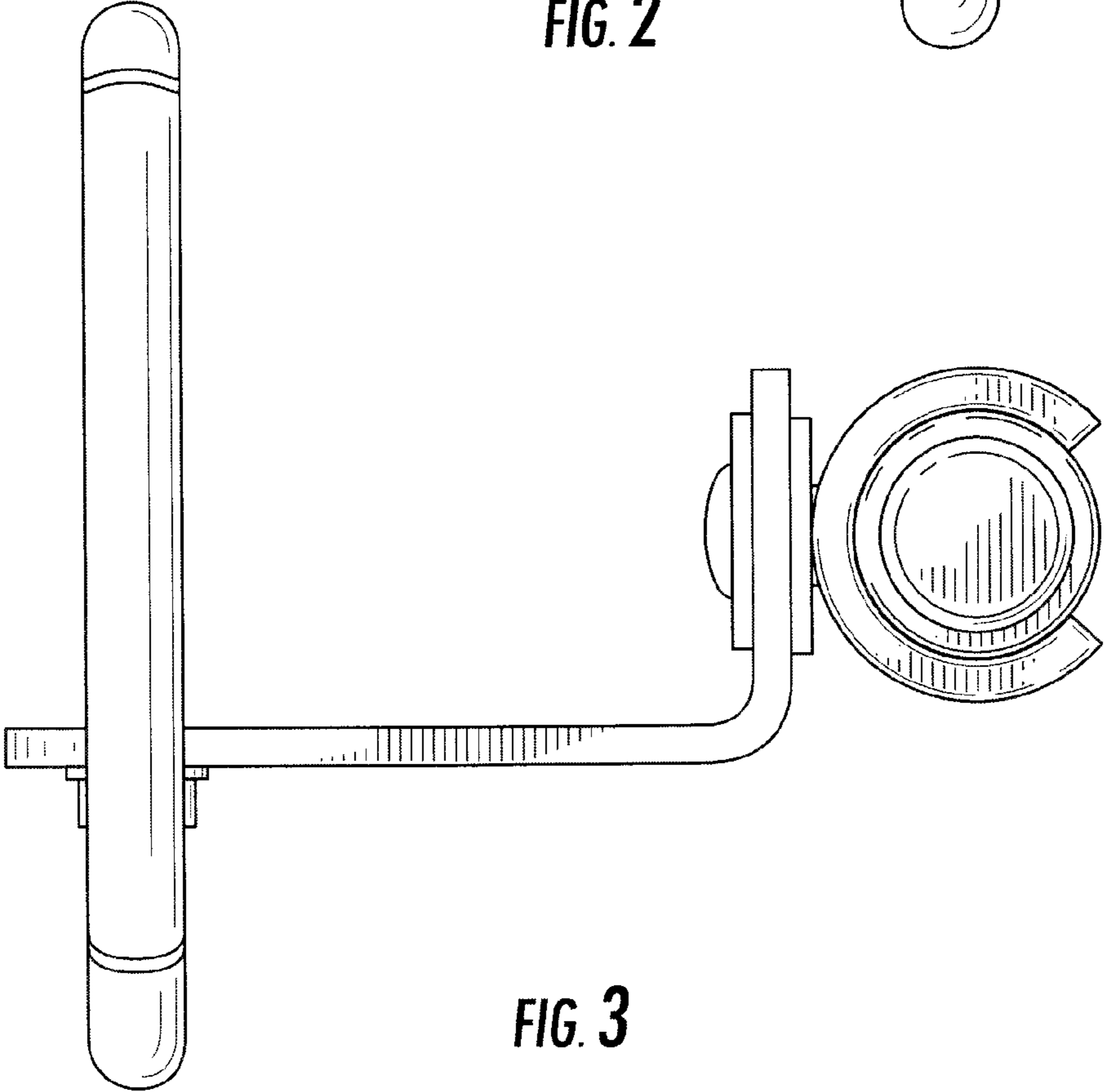
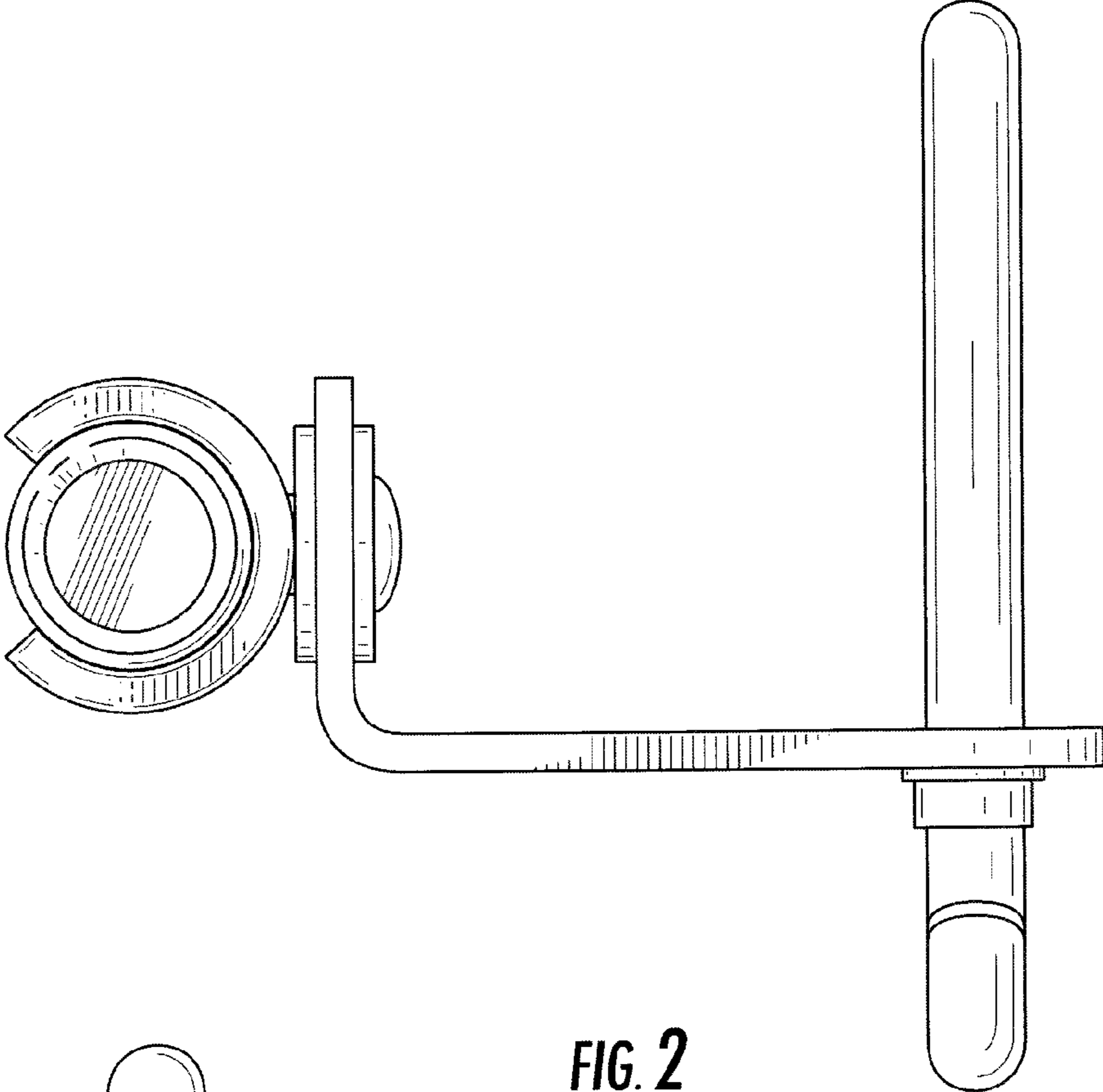


FIG. 1



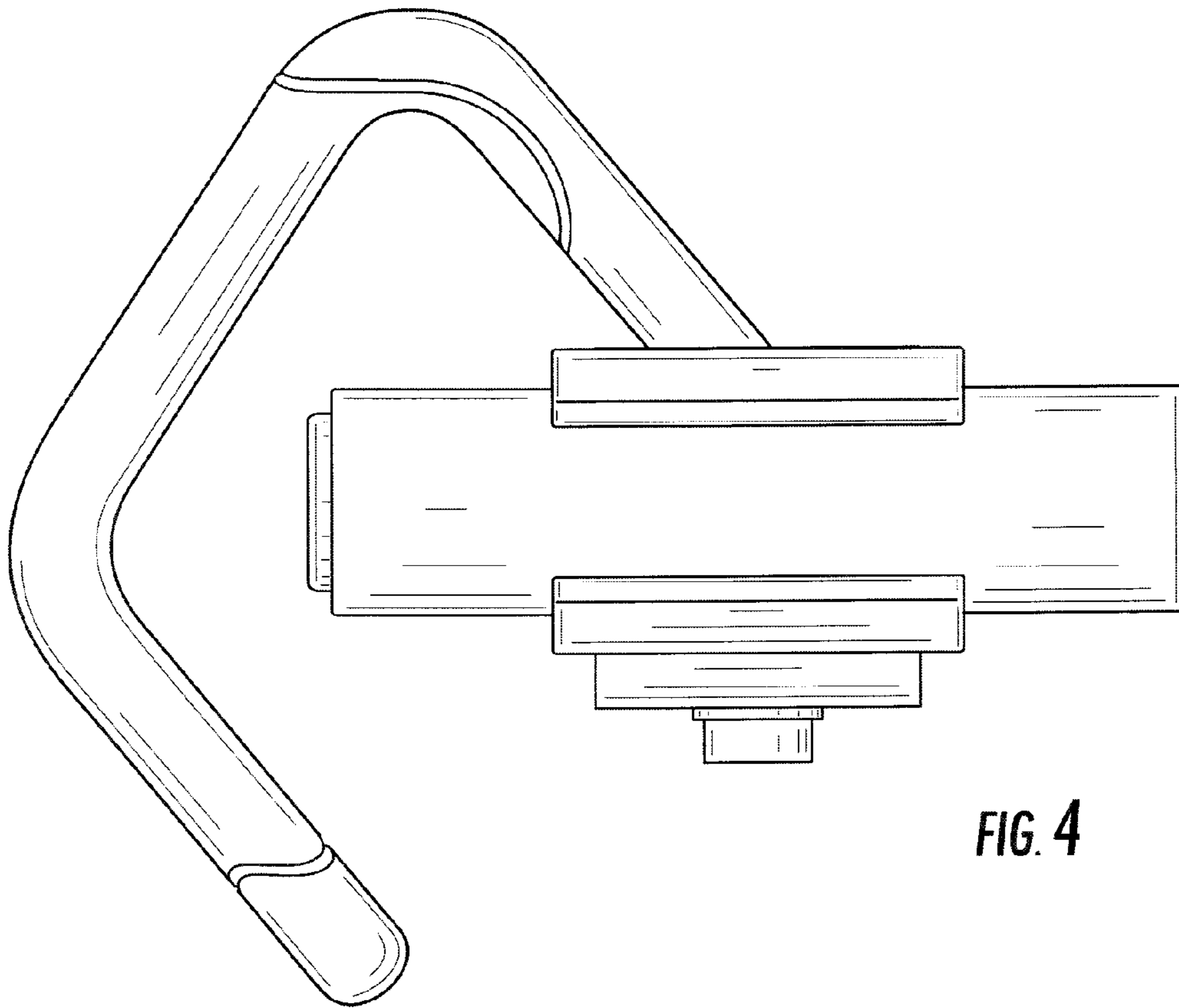


FIG. 4

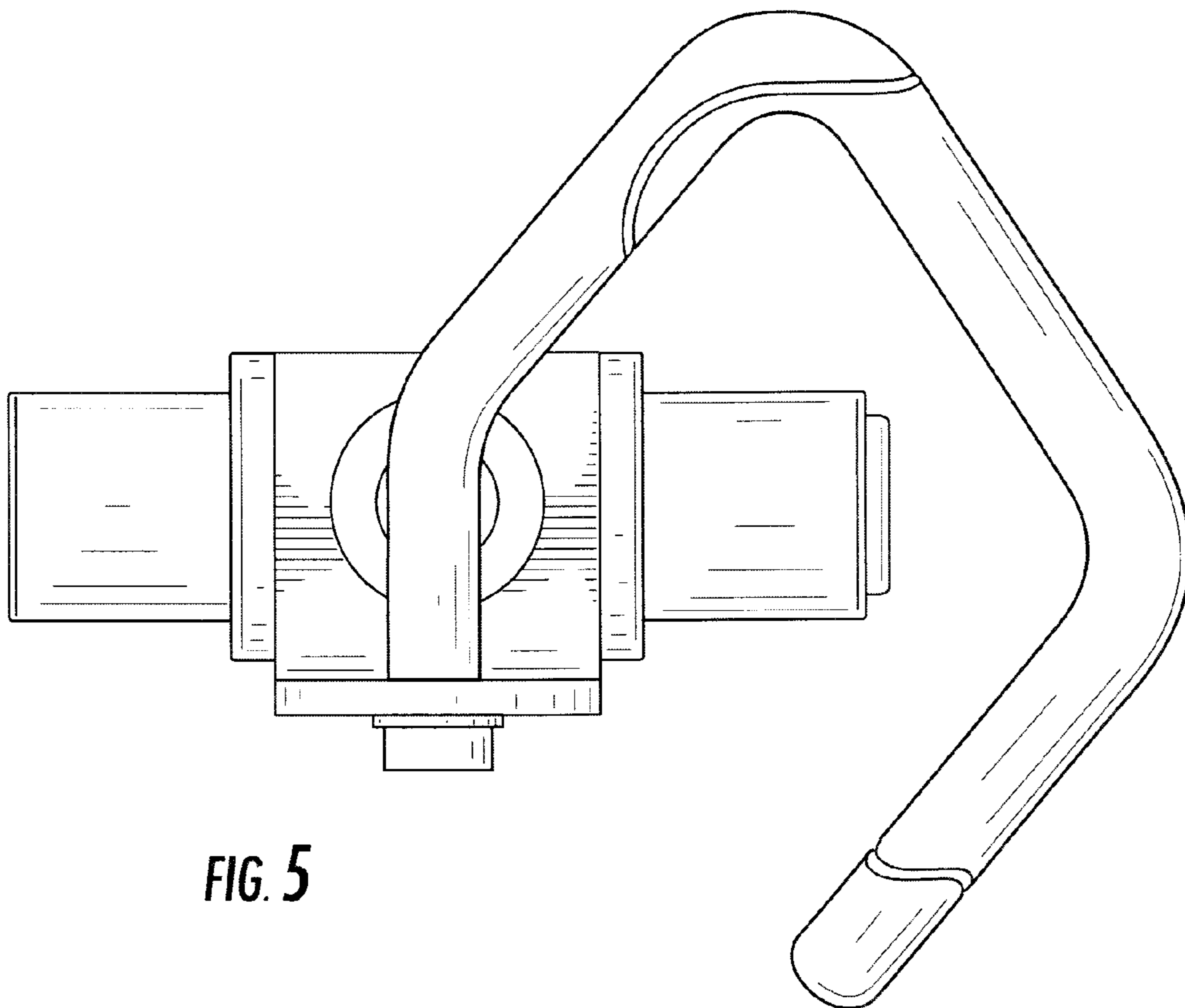
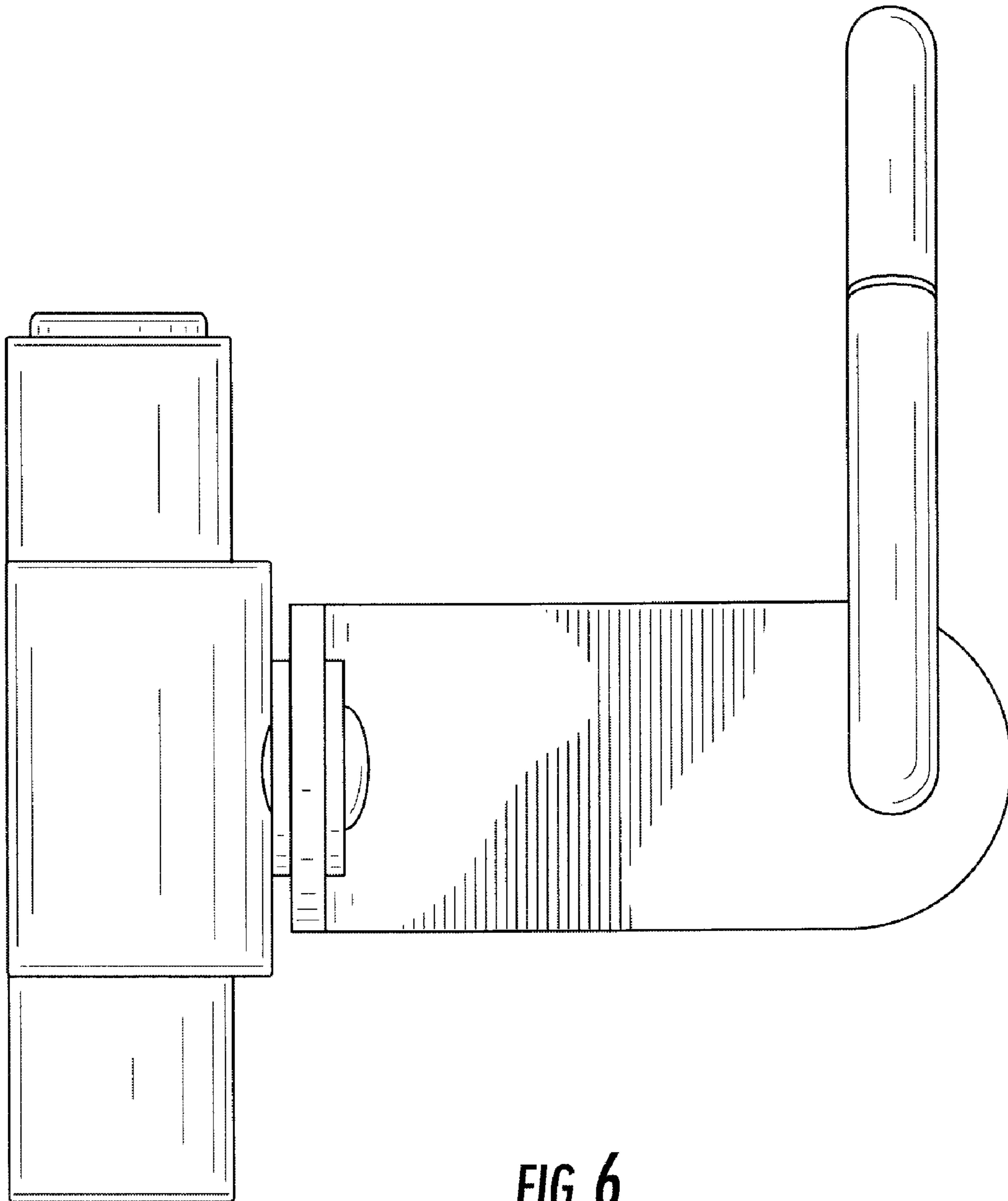
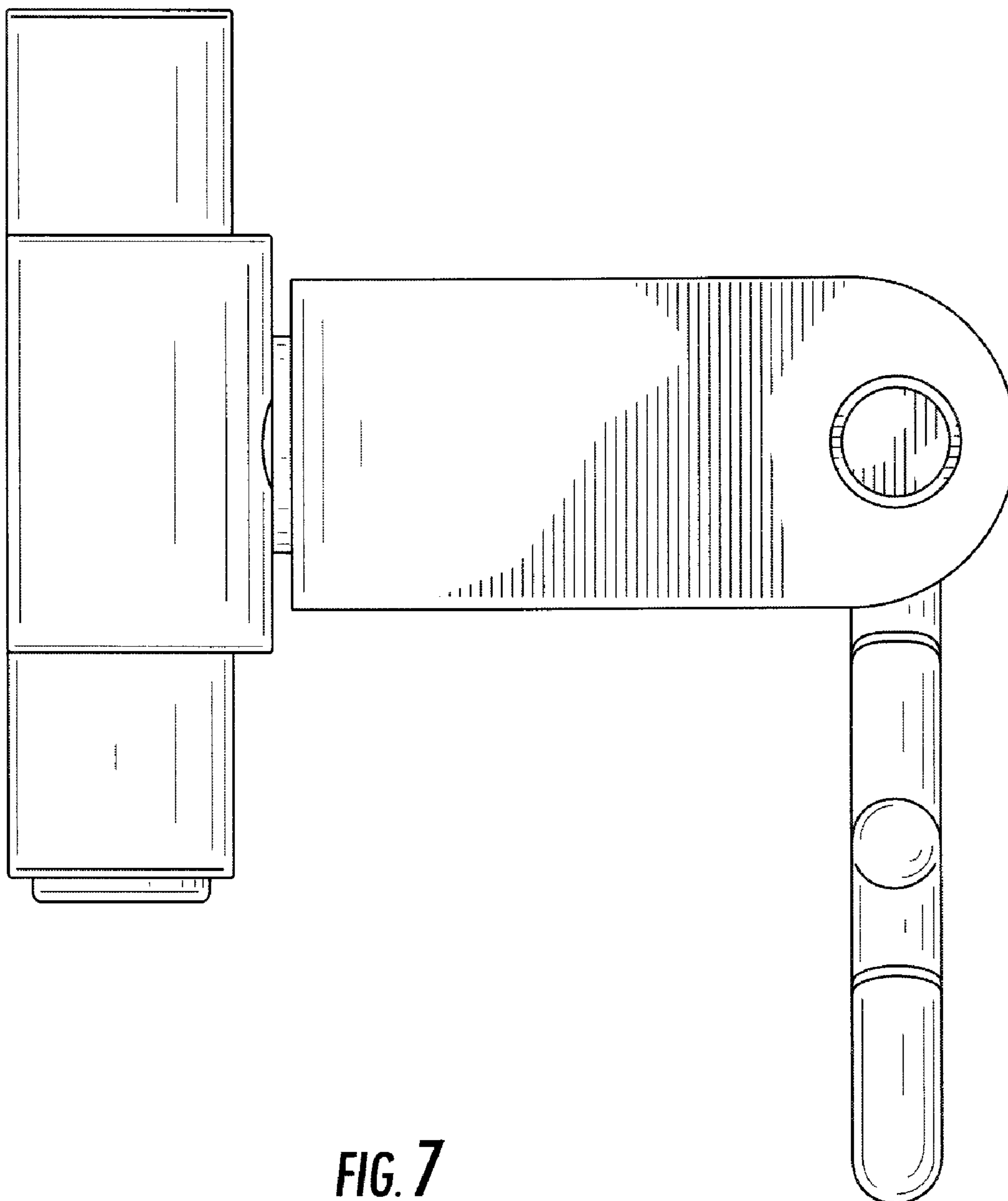


FIG. 5



**FIG. 6**





**FIG. 7**

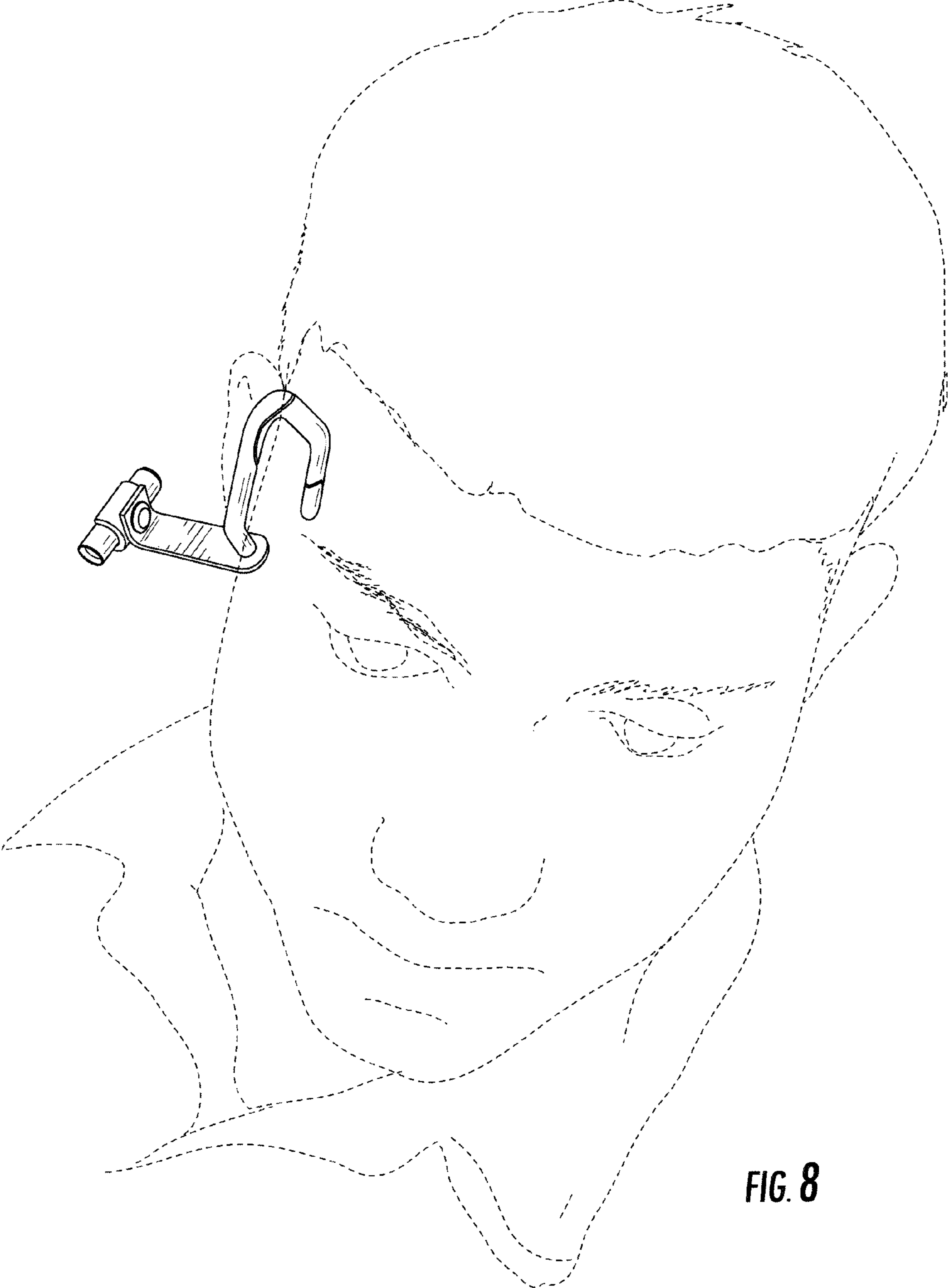


FIG. 8