



US00D591435S

(12) **United States Design Patent**
Campbell et al.

(10) **Patent No.:** **US D591,435 S**
(45) **Date of Patent:** **** Apr. 28, 2009**

- (54) **WINDOW FRAME PROFILE**
- (75) Inventors: **David Campbell**, Orillia (CA); **Elias Mancebo**, Barrie (CA)
- (73) Assignee: **Royal Group, Inc.**, Atlanta, GA (US)
- (**) Term: **14 Years**
- (21) Appl. No.: **29/304,636**
- (22) Filed: **Mar. 5, 2008**

- D438,989 S 3/2001 Ballard et al.
- D439,679 S 3/2001 Ballard et al.
- D440,323 S 4/2001 Habeck et al.
- D440,324 S 4/2001 Habeck et al.
- D440,664 S 4/2001 Habeck et al.
- D440,665 S 4/2001 Habeck et al.
- D440,669 S 4/2001 Habeck et al.
- D441,099 S 4/2001 Habeck et al.
- D442,291 S 5/2001 Ballard et al.
- D444,894 S 7/2001 Marshall
- D452,575 S 12/2001 Edger
- 6,334,283 B1 * 1/2002 Edger 52/204.1

(Continued)

- (51) **LOC (9) Cl.** **25-01**
- (52) **U.S. Cl.** **D25/124**
- (58) **Field of Classification Search** D25/124,
D25/125; 52/204.1, 204.5, 204.51, 656.5,
52/656.6, 656.2, 730.3; 49/501, 504, DIG. 2
See application file for complete search history.

Primary Examiner—Doris Clark
(74) *Attorney, Agent, or Firm*—Hunton & Williams LLP

(57) **CLAIM**

We claim the ornamental design for a window frame profile, as shown and described.

(56) **References Cited**

U.S. PATENT DOCUMENTS

- 5,099,624 A 3/1992 Valentin
- D379,534 S * 5/1997 DiGiorgio D25/124
- D402,054 S 12/1998 Leonelli
- D405,196 S 2/1999 Arcati et al.
- D406,653 S 3/1999 Morton et al.
- D412,585 S 8/1999 Arcati et al.
- D413,395 S 8/1999 Arcati et al.
- D417,919 S 12/1999 Hersh et al.
- 6,006,478 A 12/1999 Hubner et al.
- D435,918 S 1/2001 Hauberg et al.
- D436,190 S 1/2001 Ballard et al.
- D436,412 S 1/2001 Hauberg et al.
- D436,413 S 1/2001 Habeck et al.
- D438,644 S 3/2001 Habeck et al.

DESCRIPTION

FIG. 1 is a fragmentary top right isometric view of a window frame profile showing the claimed design.

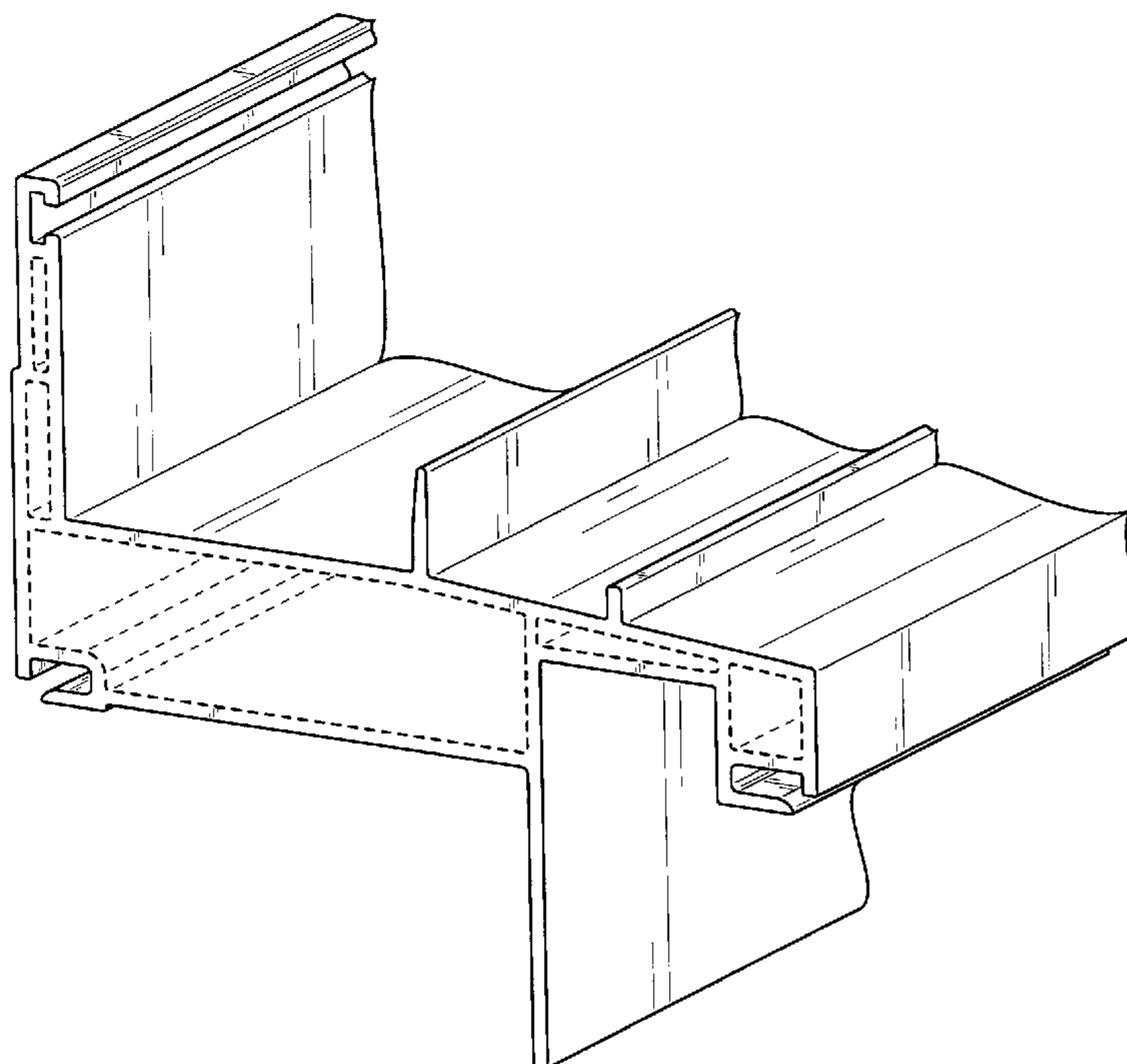
FIG. 2 is a fragmentary bottom left isometric view of the window frame profile of FIG. 1; and,

FIG. 3 is an end elevation view of the window frame profile of FIG. 1.

The claimed design is broken on the end to indicate indeterminate length.

The broken lines are for illustrative purposes only and form no part of the claimed design.

1 Claim, 3 Drawing Sheets



US D591,435 S

Page 2

U.S. PATENT DOCUMENTS

D453,381 S	2/2002	Ballard et al.	D537,540 S	2/2007	Franson
D453,575 S	2/2002	Scalzott	D539,932 S	4/2007	Fannan
D453,576 S	2/2002	Scalzott	D541,954 S	5/2007	Allen et al.
D453,844 S	2/2002	Scalzott	D542,422 S	5/2007	Franson
D453,845 S	2/2002	Scalzott	D546,975 S	7/2007	Allen et al.
D453,846 S	2/2002	Scalzott	D546,976 S	7/2007	Ye
D455,841 S	4/2002	Fisher et al.	D546,977 S	7/2007	Ye
D458,690 S	6/2002	Roberts et al.	D546,978 S	7/2007	Ye
D461,014 S	7/2002	Marshall	D546,979 S	7/2007	Ye
D461,256 S	8/2002	Ballard et al.	D550,862 S	9/2007	Brabeck et al.
D461,570 S	8/2002	Ballard et al.	D552,260 S	10/2007	Franson
D466,623 S	12/2002	Ballard et al.	D552,261 S	10/2007	Wickland
D466,627 S	12/2002	Morton et al.	D552,262 S	10/2007	Wickland
D467,355 S	12/2002	Ballard et al.	D552,761 S	10/2007	Wickland
D471,647 S	3/2003	Chaney et al.	D552,762 S	10/2007	Wickland
D495,430 S	8/2004	Franson	D552,763 S	10/2007	Wickland
D496,742 S	9/2004	Franson	D552,764 S	10/2007	Wickland
D500,561 S	1/2005	Franson	D553,262 S	10/2007	Wickland
6,857,232 B2	2/2005	Bealko	D553,762 S	10/2007	Schrader
D502,555 S	3/2005	Fannan	D554,776 S	11/2007	Fannan
D505,503 S	5/2005	Wickland	2003/0159374 A1	8/2003	Burgess
			2004/0000093 A1	1/2004	Guelck

* cited by examiner

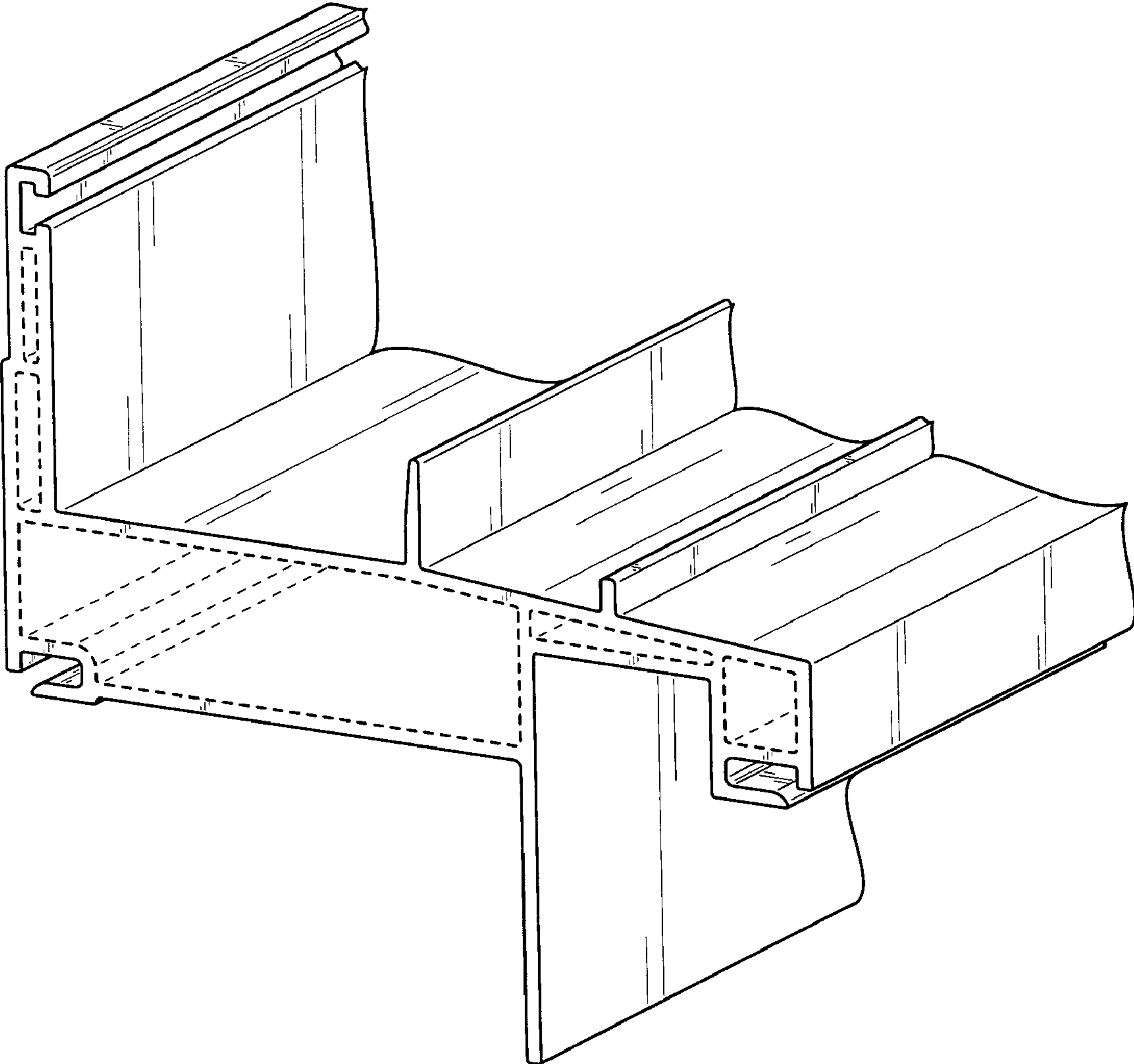


FIG. 1

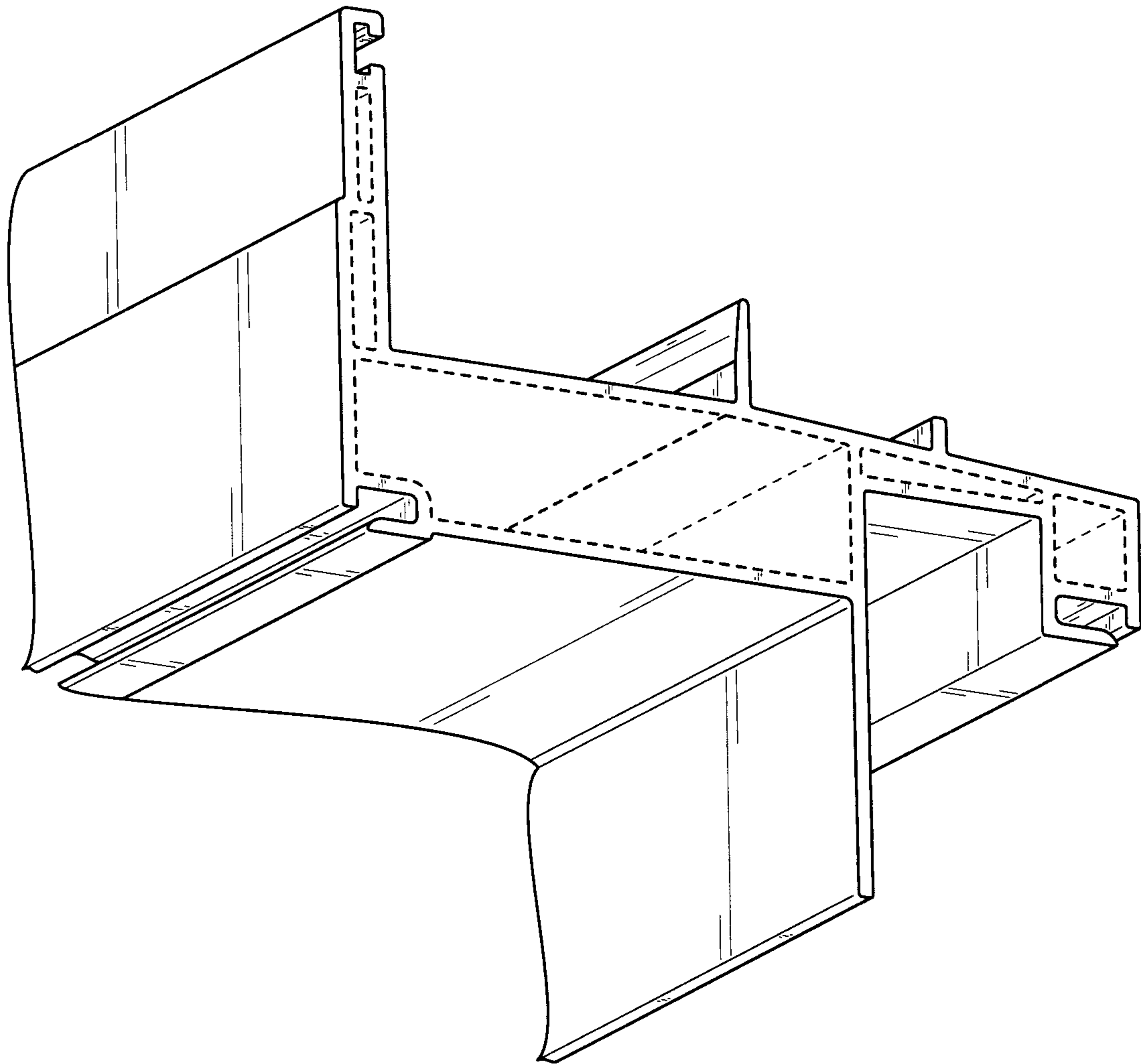


FIG. 2

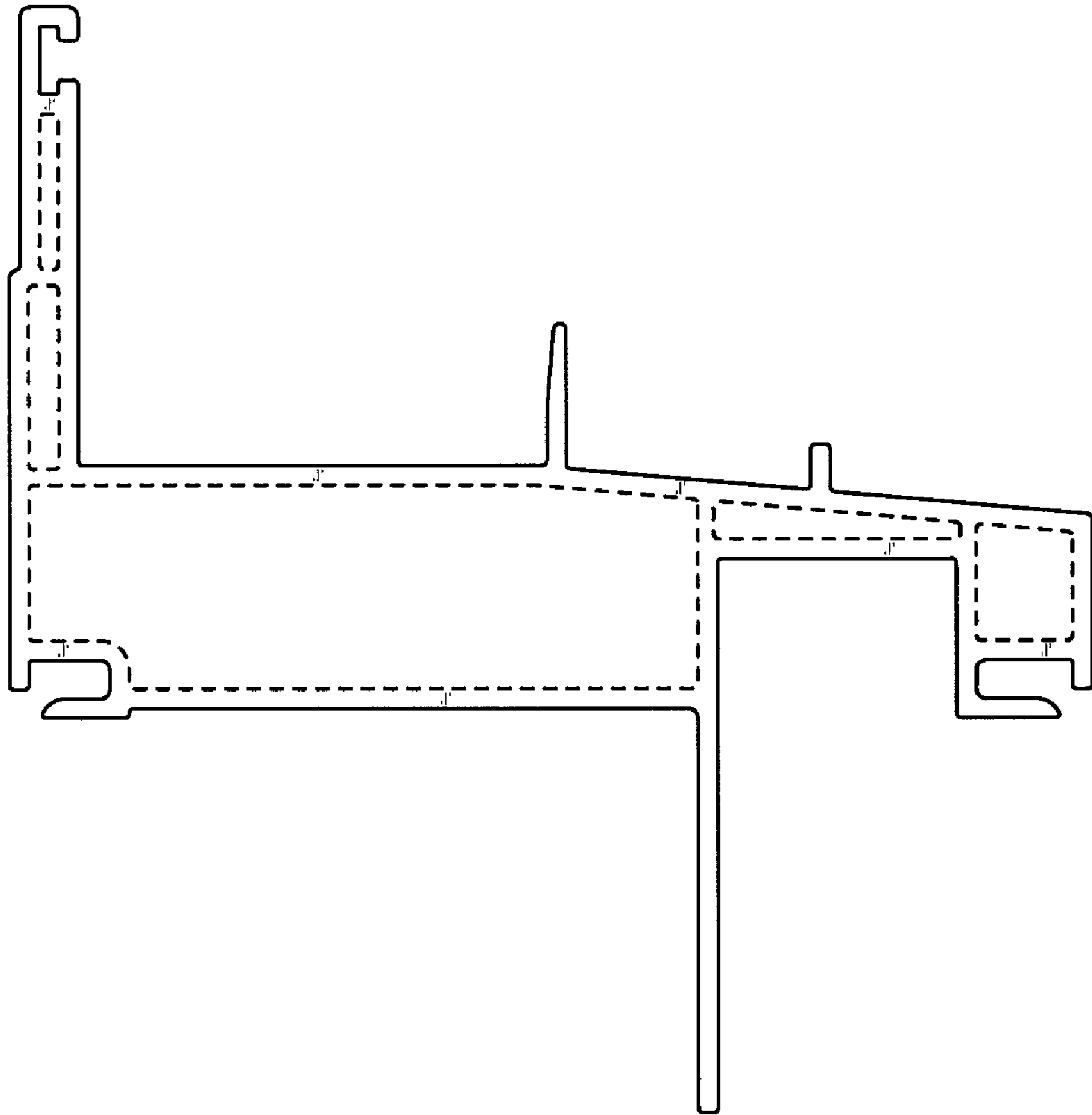


FIG. 3