

US00D591432S

(12) **United States Design Patent**  
**Campbell et al.**

(10) **Patent No.:** **US D591,432 S**  
(45) **Date of Patent:** **\*\* Apr. 28, 2009**

- (54) **WINDOW FRAME PROFILE**
- (75) Inventors: **David Campbell**, Orillia (CA); **Elias Mancebo**, Barrie (CA)
- (73) Assignee: **Royal Group, Inc.**, Atlanta, GA (US)
- (\*\*) Term: **14 Years**
- (21) Appl. No.: **29/304,613**
- (22) Filed: **Mar. 5, 2008**
- (51) **LOC (9) Cl.** ..... **25-01**
- (52) **U.S. Cl.** ..... **D25/124**
- (58) **Field of Classification Search** ..... D25/124,  
D25/125; 52/204.1, 204.5, 204.51, 656.5,  
52/656.6, 656.2, 730.3; 49/501, 504, DIG. 2  
See application file for complete search history.

- D442,291 S 5/2001 Ballard et al.
- D444,894 S 7/2001 Marshall
- D449,389 S \* 10/2001 Goss ..... D25/124
- D452,575 S 12/2001 Edger
- D452,743 S \* 1/2002 Edger ..... D25/124
- D453,381 S 2/2002 Ballard et al.
- D453,575 S 2/2002 Scalzott
- D453,576 S 2/2002 Scalzott
- D453,844 S 2/2002 Scalzott
- D453,845 S 2/2002 Scalzott
- D453,846 S 2/2002 Scalzott
- D455,841 S 4/2002 Fisher et al.
- D458,690 S 6/2002 Roberts et al.
- D461,014 S 7/2002 Marshall

(56) **References Cited**

**U.S. PATENT DOCUMENTS**

- D311,961 S \* 11/1990 Westphal et al. .... D25/124
- 5,099,624 A 3/1992 Valentin
- 5,694,731 A \* 12/1997 Tonsmann et al. .... 52/204.1
- D402,054 S 12/1998 Leonelli
- D405,196 S 2/1999 Arcati et al.
- D406,653 S 3/1999 Morton et al.
- D412,585 S 8/1999 Arcati et al.
- D413,395 S 8/1999 Arcati et al.
- D417,919 S 12/1999 Hersh et al.
- 6,006,478 A 12/1999 Hubner et al.
- D435,918 S 1/2001 Hauberg et al.
- D436,190 S 1/2001 Ballard et al.
- D436,412 S 1/2001 Hauberg et al.
- D436,413 S 1/2001 Habeck et al.
- D438,644 S 3/2001 Habeck et al.
- D438,989 S 3/2001 Ballard et al.
- D439,679 S 3/2001 Ballard et al.
- D440,323 S 4/2001 Habeck et al.
- D440,324 S 4/2001 Habeck et al.
- D440,664 S 4/2001 Habeck et al.
- D440,665 S 4/2001 Habeck et al.
- D440,669 S 4/2001 Habeck et al.
- D441,099 S 4/2001 Habeck et al.
- D441,103 S \* 4/2001 Habeck et al. .... D25/124

(Continued)

*Primary Examiner*—Doris Clark  
(74) *Attorney, Agent, or Firm*—Hunton & Williams LLP

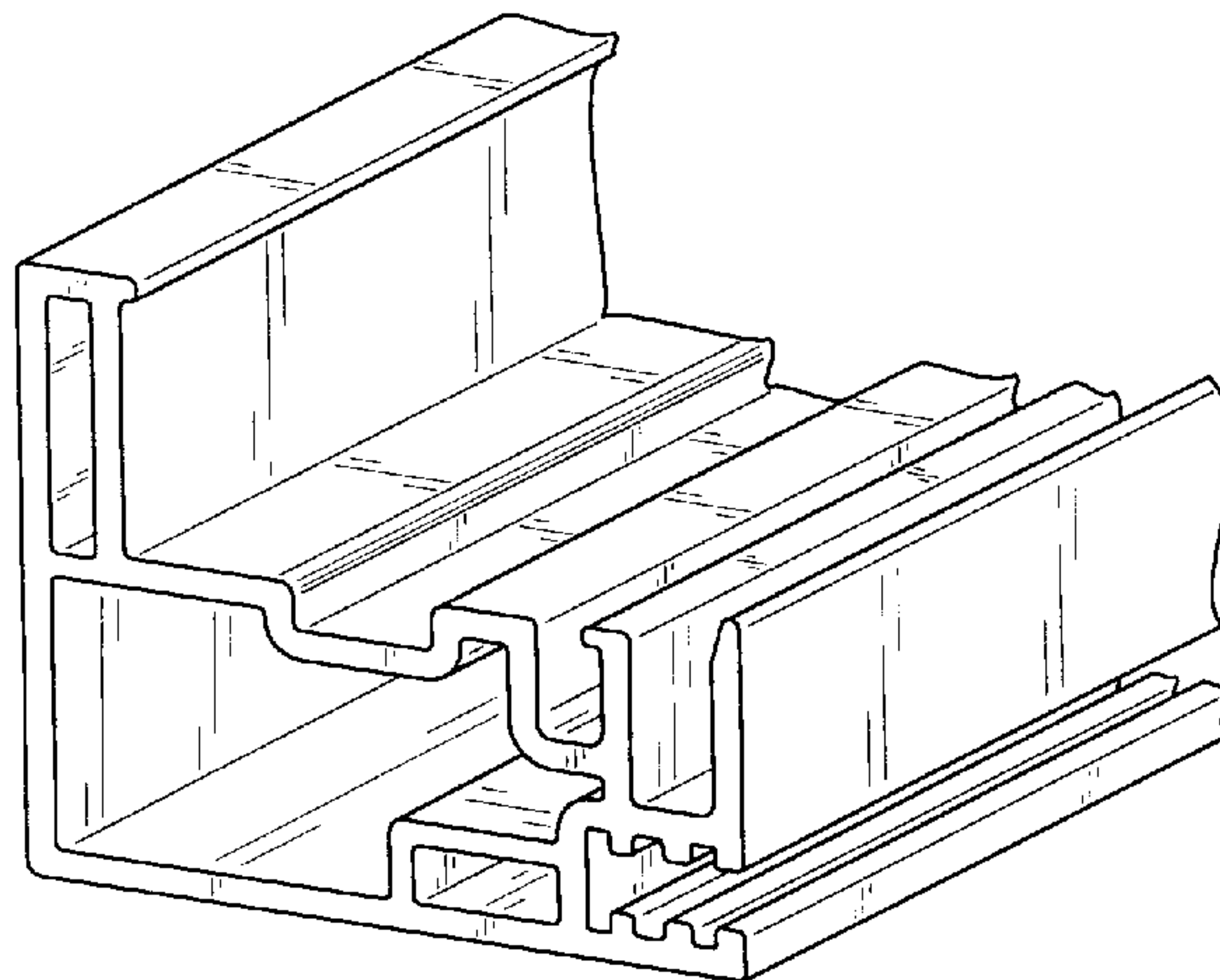
(57) **CLAIM**

We claim the ornamental design for a window frame profile, as shown and described.

**DESCRIPTION**

FIG. 1 is a fragmentary top right isometric view of a window frame profile showing the claimed design.  
FIG. 2 is a fragmentary bottom left isometric view of the window frame profile of FIG. 1; and,  
FIG. 3 is an end elevation view of the window frame profile of FIG. 1.  
The claimed design is broken on the end to indicate indeterminate length.

**1 Claim, 3 Drawing Sheets**



# US D591,432 S

Page 2

---

## U.S. PATENT DOCUMENTS

D461,256 S	8/2002	Ballard et al.	D546,976 S	7/2007	Ye
D461,570 S	8/2002	Ballard et al.	D546,977 S	7/2007	Ye
D466,623 S	12/2002	Ballard et al.	D546,978 S	7/2007	Ye
D466,627 S	12/2002	Morton et al.	D546,979 S	7/2007	Ye
D467,355 S	12/2002	Ballard et al.	D550,862 S	9/2007	Brabeck et al.
D471,647 S	3/2003	Chaney et al.	D552,260 S	10/2007	Franson
D495,430 S	8/2004	Franson	D552,261 S	10/2007	Wickland
D496,742 S	9/2004	Franson	D552,262 S	10/2007	Wickland
D500,561 S	1/2005	Franson	D552,761 S	10/2007	Wickland
6,857,232 B2	2/2005	Bealko	D552,762 S	10/2007	Wickland
D502,555 S	3/2005	Franson	D552,763 S	10/2007	Wickland
D505,503 S	5/2005	Wickland	D552,764 S	10/2007	Wickland
D537,540 S	2/2007	Franson	D553,262 S	10/2007	Wickland
D539,932 S	4/2007	Fannan	D553,762 S	10/2007	Schrader
D541,954 S	5/2007	Allen et al.	D554,776 S	11/2007	Fannan
D542,422 S	5/2007	Franson	2003/0159374 A1	8/2003	Burgess
D546,975 S	7/2007	Allen et al.	2004/0000093 A1	1/2004	Guelck
			2005/0028459 A1 *	2/2005	Crandell et al. .... 52/204.5

\* cited by examiner

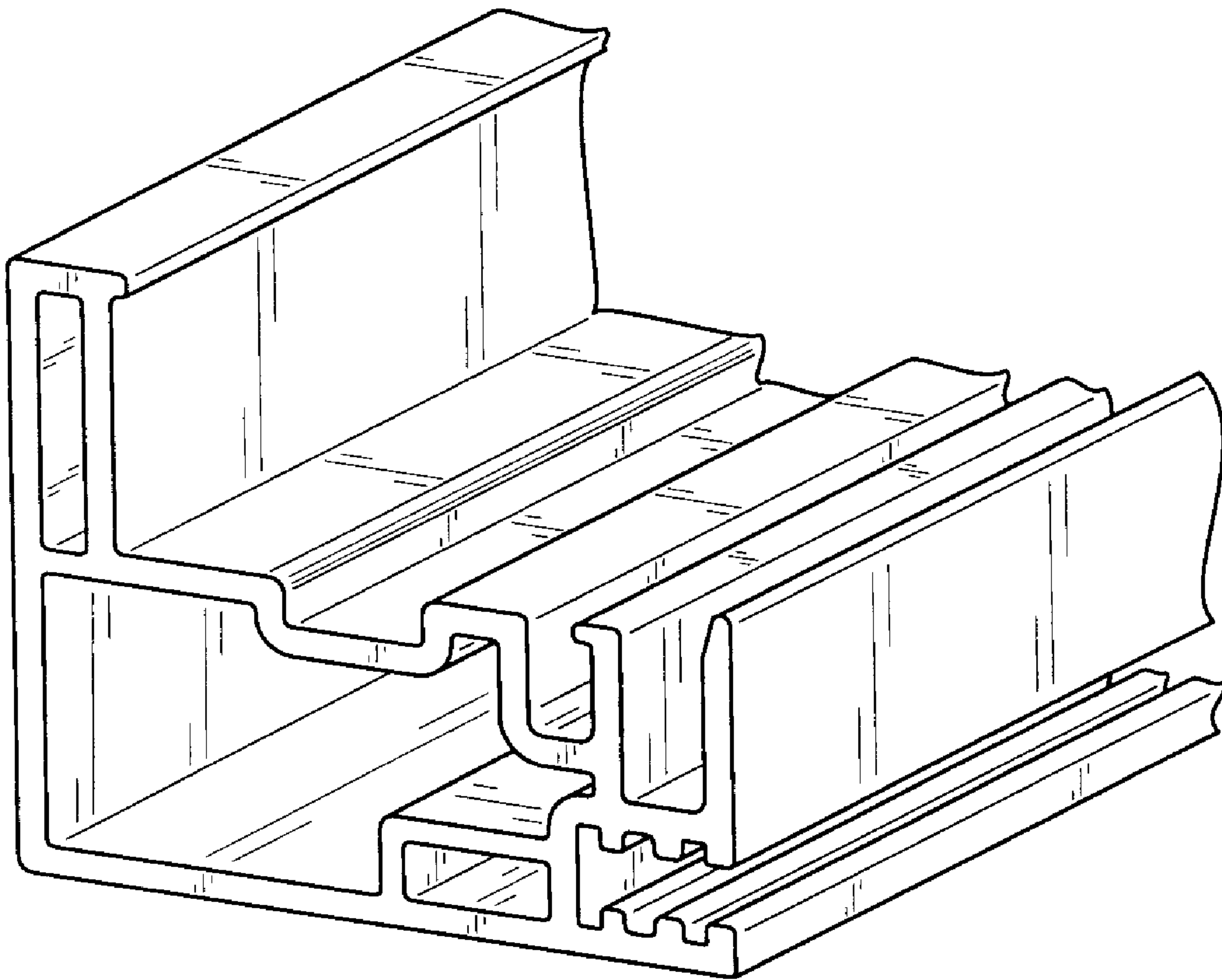


FIG. 1

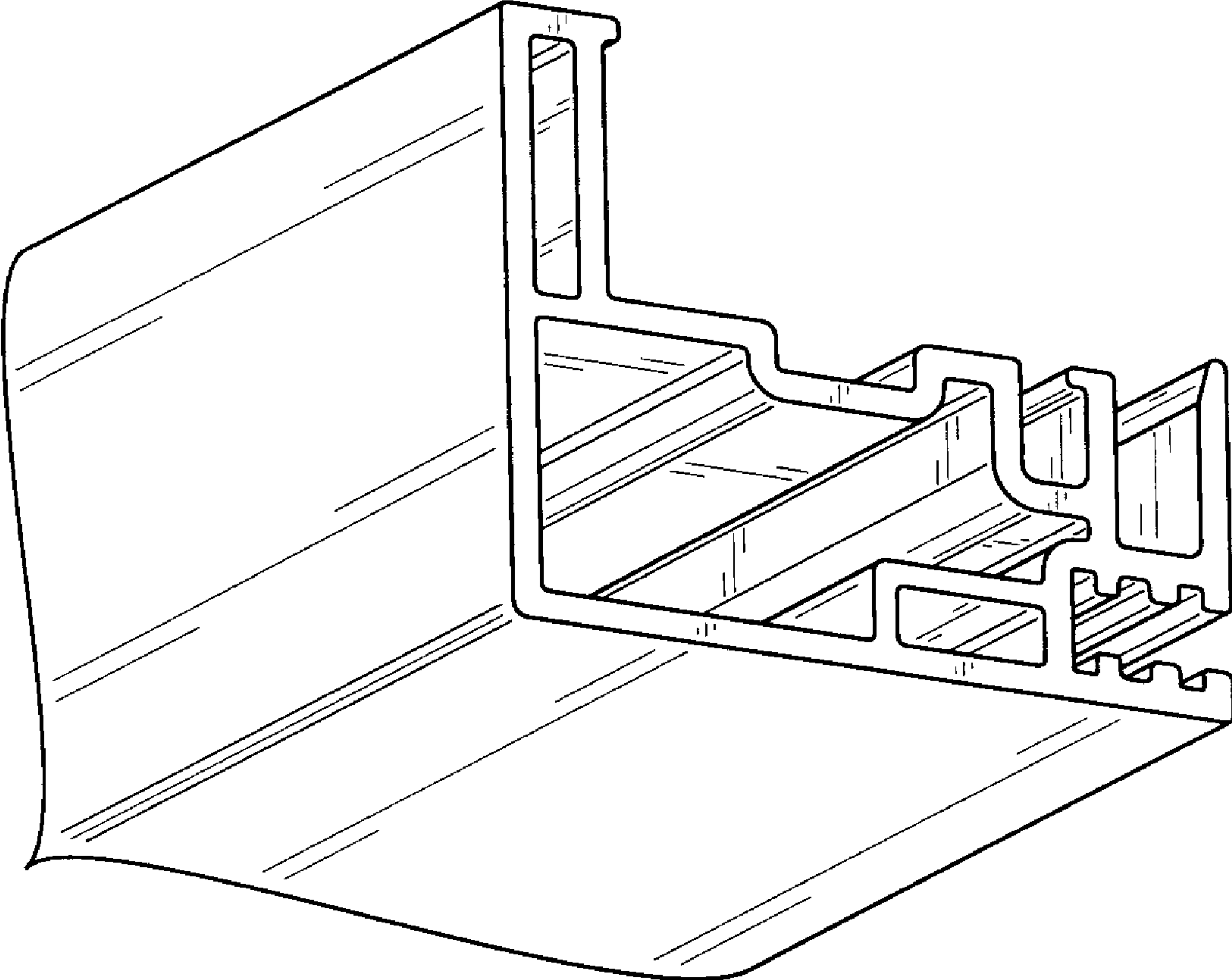


FIG. 2

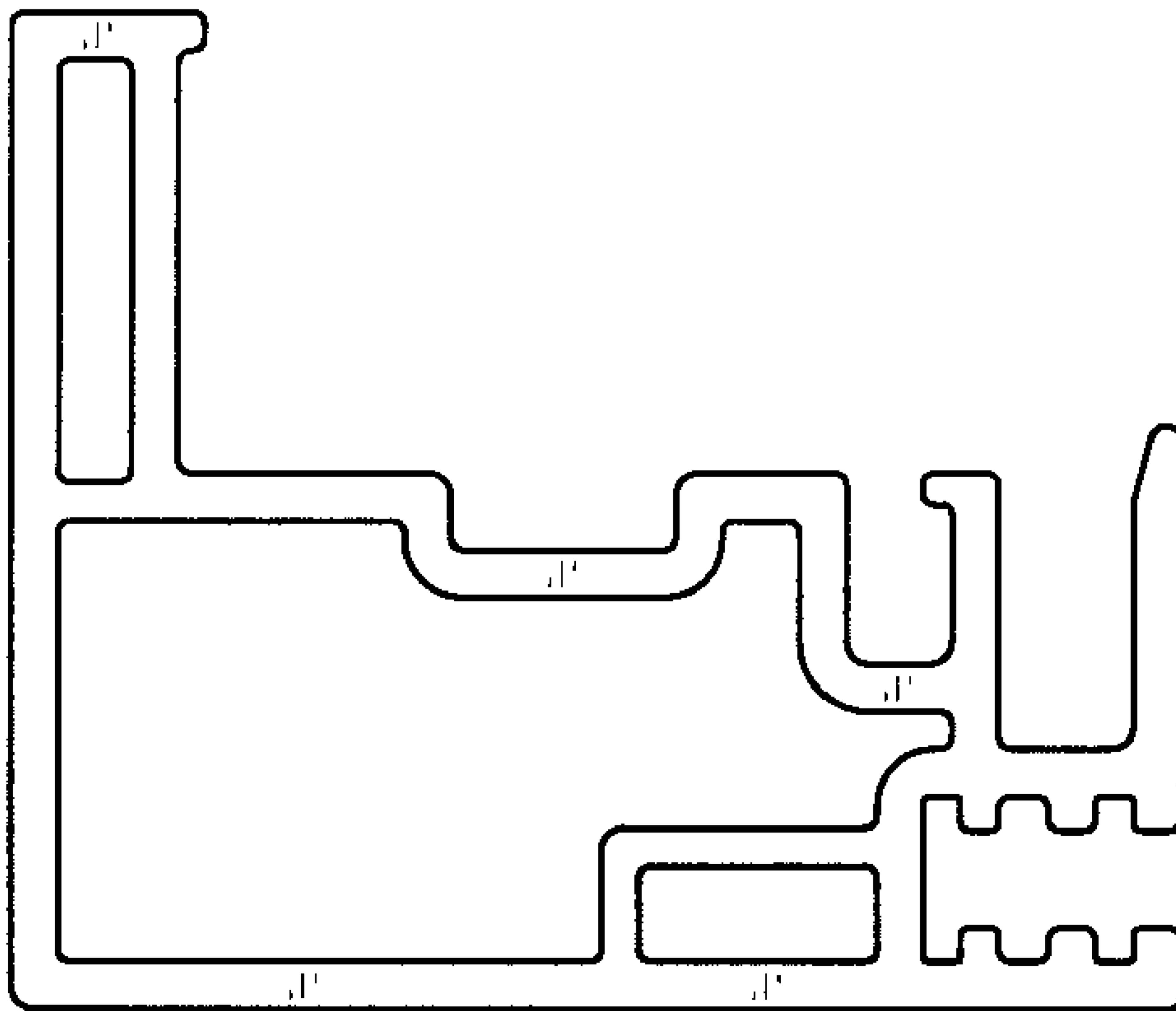


FIG. 3