



US00D591429S

(12) **United States Design Patent**
Franson

(10) **Patent No.:** **US D591,429 S**

(45) **Date of Patent:** **** Apr. 28, 2009**

(54) **WINDOW COMPONENT EXTRUSION**

D433,516 S * 11/2000 Goss D25/124

(75) Inventor: **Jeffrey R. Franson**, Maple Valley, WA (US)

6,968,657 B2 * 11/2005 Siudzinski et al. 52/207

2002/0032995 A1 * 3/2002 Siudzinski et al. 52/207

(73) Assignee: **Mikron Industries, Inc**, Kent, WA (US)

(**) Term: **14 Years**

* cited by examiner

(21) Appl. No.: **29/301,032**

Primary Examiner—Doris Clark

(74) *Attorney, Agent, or Firm*—David C. Gadd

(22) Filed: **Feb. 4, 2008**

(57) **CLAIM**

(51) **LOC (9) Cl.** **25-01**

(52) **U.S. Cl.** **D25/124**

(58) **Field of Classification Search** D25/121,
D25/122, 124, 125; 52/204.59, 204.1, 204.2,
52/204.5, 204.51, 656.5, 656.6, 213, 215,
52/208, 293.3, 204.97, 204.595, 204.71,
52/730.3, 656.2, 207, 204.7; 49/209, 501,
49/504, DIG. 2, 169

The ornamental design for a window component extrusion, as shown and described.

See application file for complete search history.

DESCRIPTION

(56) **References Cited**

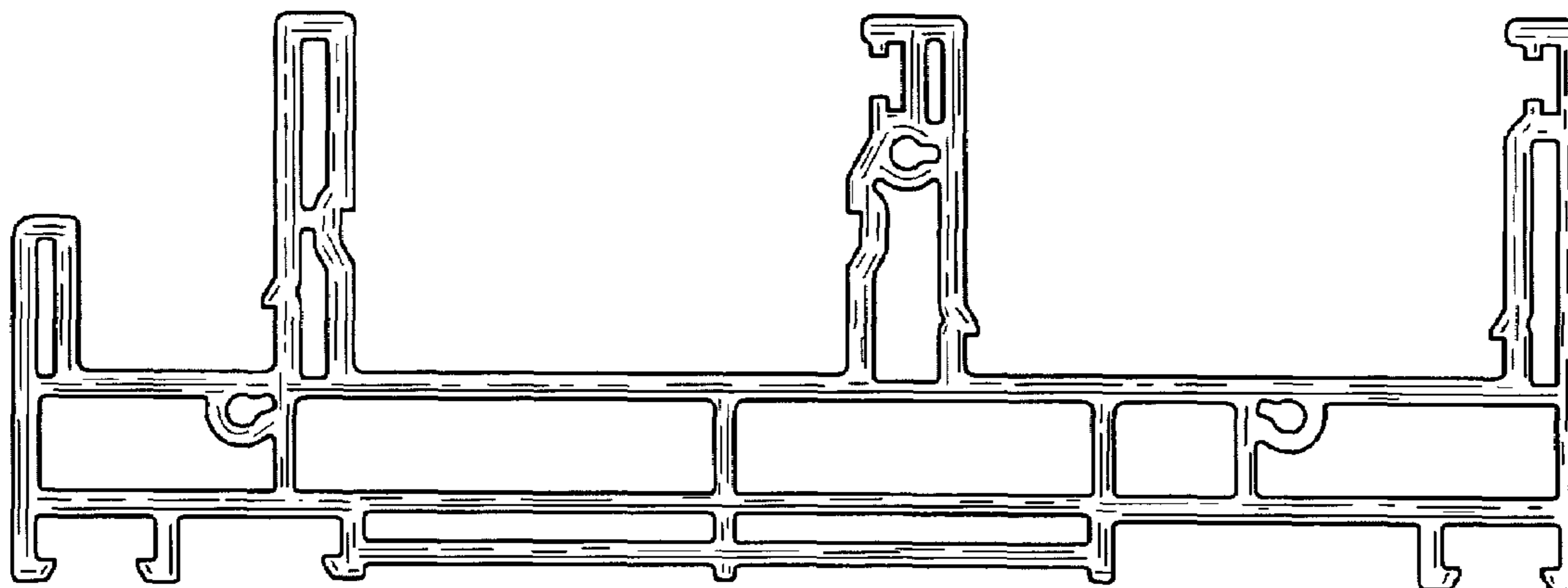
FIG. 1 is a front elevation view of a window component extrusion; and,

FIG. 2 is a rear elevation view thereof.

U.S. PATENT DOCUMENTS

D411,627 S * 6/1999 Oliver D25/124

1 Claim, 2 Drawing Sheets



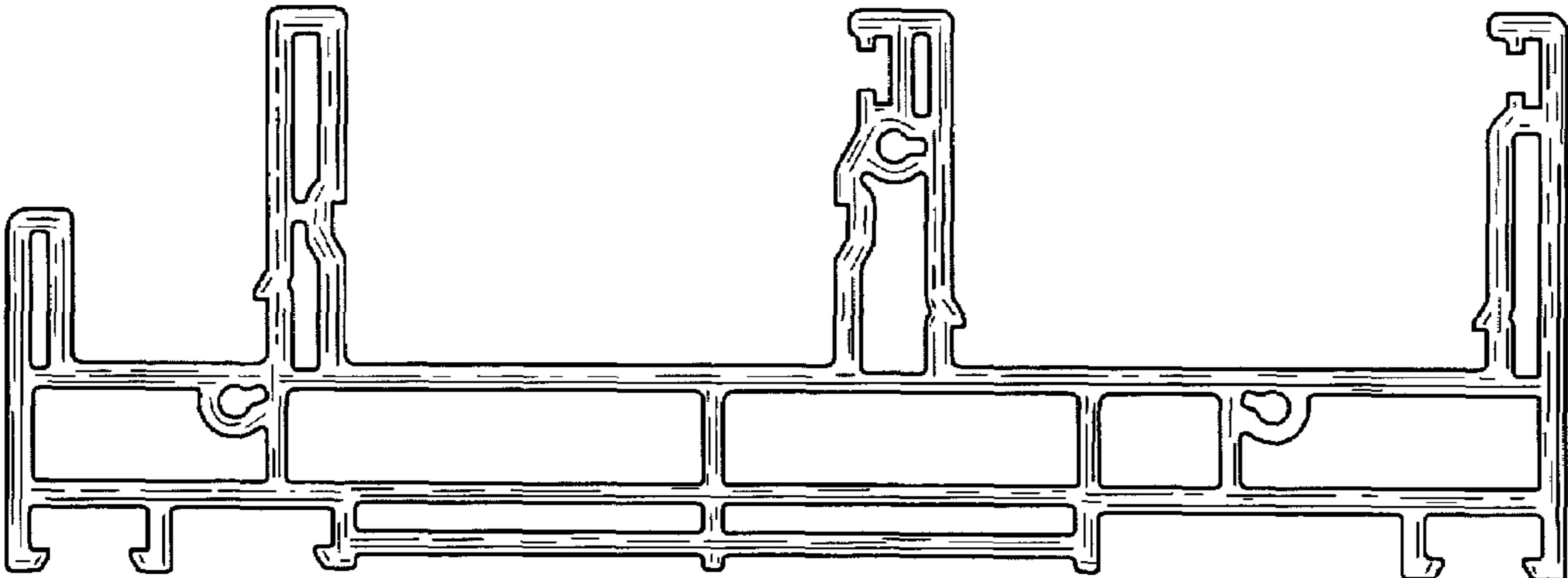


Fig. 1

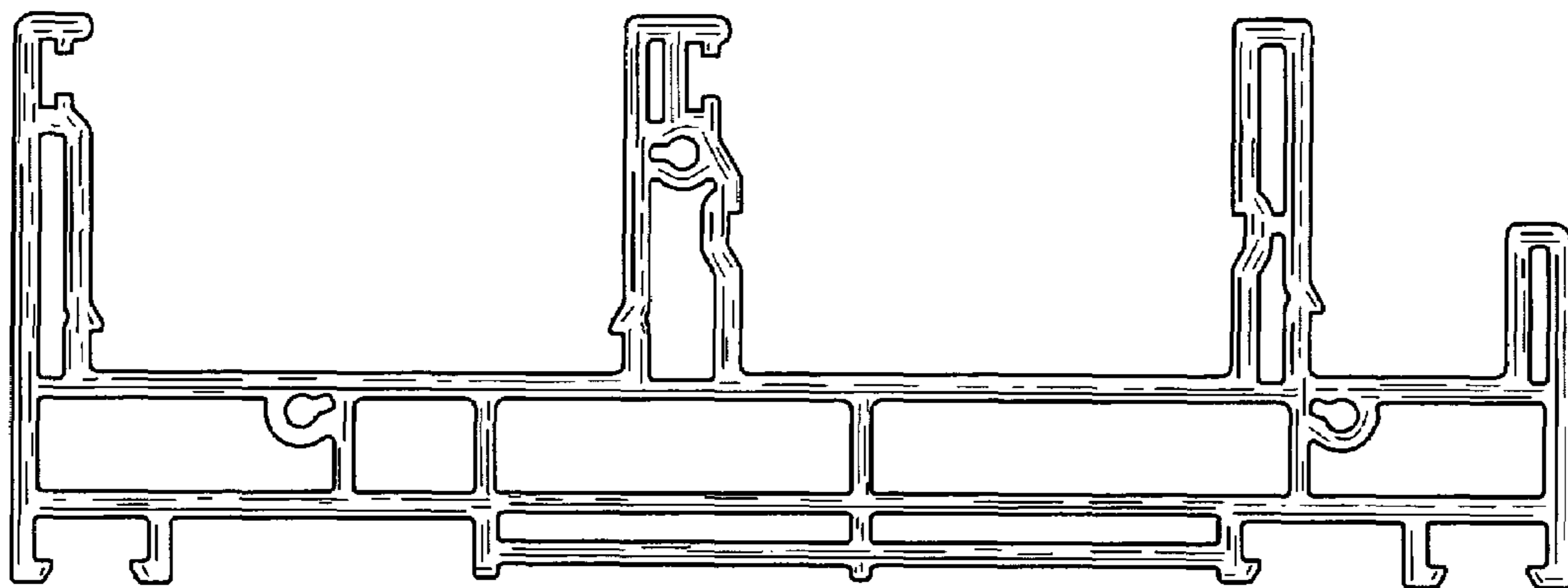


Fig. 2