



US00D591418S

(12) **United States Design Patent**  
**White**

(10) **Patent No.:** **US D591,418 S**  
(45) **Date of Patent:** **\*\* Apr. 28, 2009**

(54) **NEBULIZER**

(75) Inventor: **Glenn M. White**, Felton, CA (US)

(73) Assignee: **Novartis AG**, Basel (CH)

(\*\*) Term: **14 Years**

(21) Appl. No.: **29/307,282**

(22) Filed: **Apr. 10, 2008**

(51) **LOC (9) Cl.** ..... **29-02**

(52) **U.S. Cl.** ..... **D24/110**

(58) **Field of Classification Search** ..... D24/110;  
D9/560; D7/608; 128/200.14, 203.12, 205.24,  
128/200.23, 204.21, 203.28, 203.14, 205.13  
See application file for complete search history.

(56) **References Cited**

**U.S. PATENT DOCUMENTS**

D441,069 S *	4/2001	Hammarlund et al. ....	D24/110
6,578,571 B1 *	6/2003	Watt .....	128/200.14
7,418,962 B1 *	9/2008	Rao .....	128/200.24
2005/0217666 A1 *	10/2005	Fink et al. ....	128/200.14

**FOREIGN PATENT DOCUMENTS**

WO WO 2007/024812 3/2007

\* cited by examiner

*Primary Examiner*—Ian Simmons  
*Assistant Examiner*—Christopher Lee  
(74) *Attorney, Agent, or Firm*—Michael Mazza

(57) **CLAIM**

The ornamental design for a nebulizer, as shown and described.

**DESCRIPTION**

FIG. 1 is a top perspective view of a nebulizer embodying the new design;

FIG. 2 is a bottom perspective view of the nebulizer of FIG. 1;

FIG. 3 is a top plan view of the nebulizer of FIG. 1;

FIG. 4 is a side elevational view of the nebulizer device of FIG. 1 (the other side being 180 degrees of rotation to FIG. 4);

FIG. 5 is a bottom plan view of the nebulizer of FIG. 1;

FIG. 6 is a front elevational view of the nebulizer of FIG. 1; and,

FIG. 7 is a back elevational view of the nebulizer of FIG. 1.

The broken line showing in FIGS. 1 and 3 is for illustrative purposes only and forms no part of the claimed design.

**1 Claim, 3 Drawing Sheets**

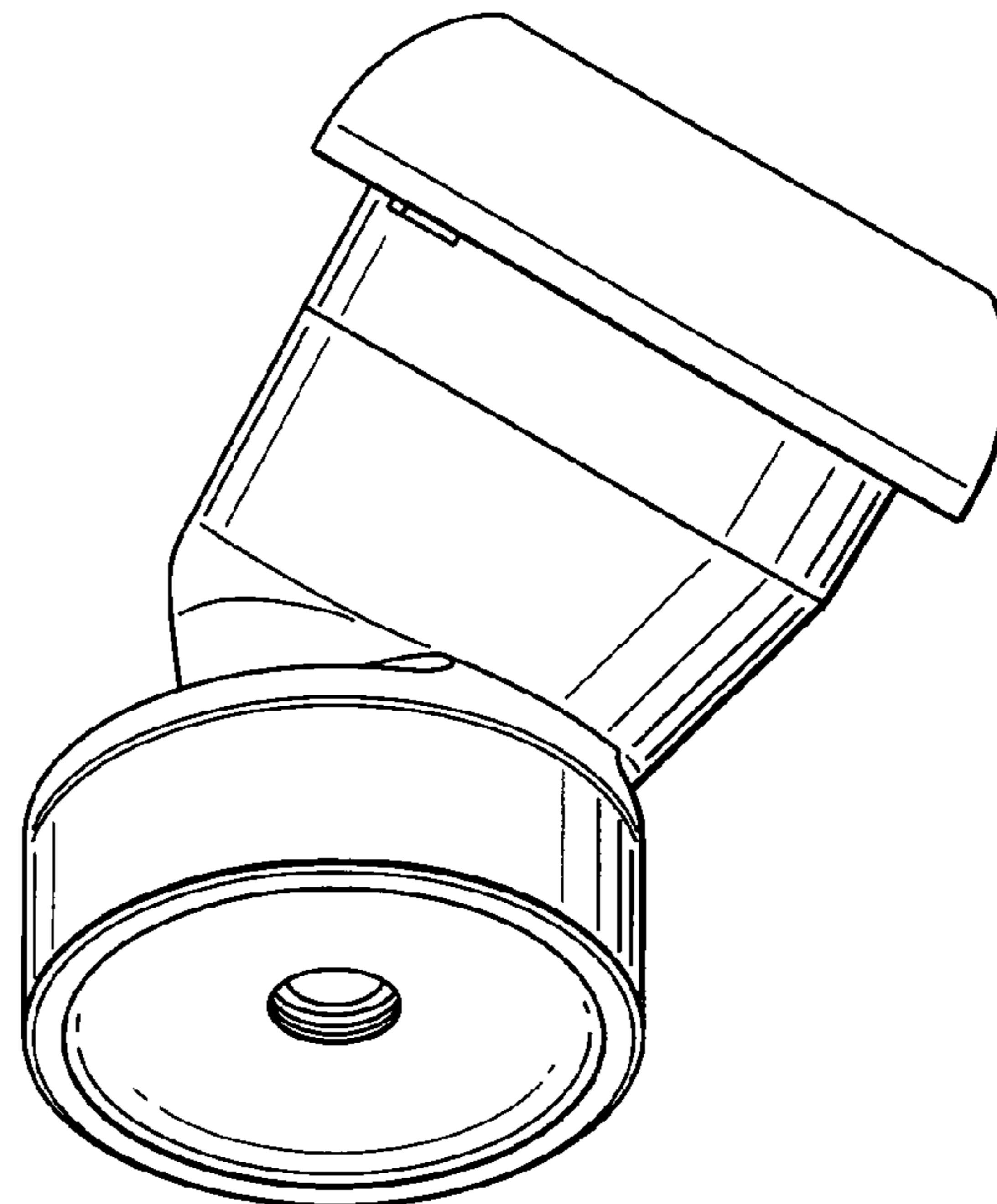
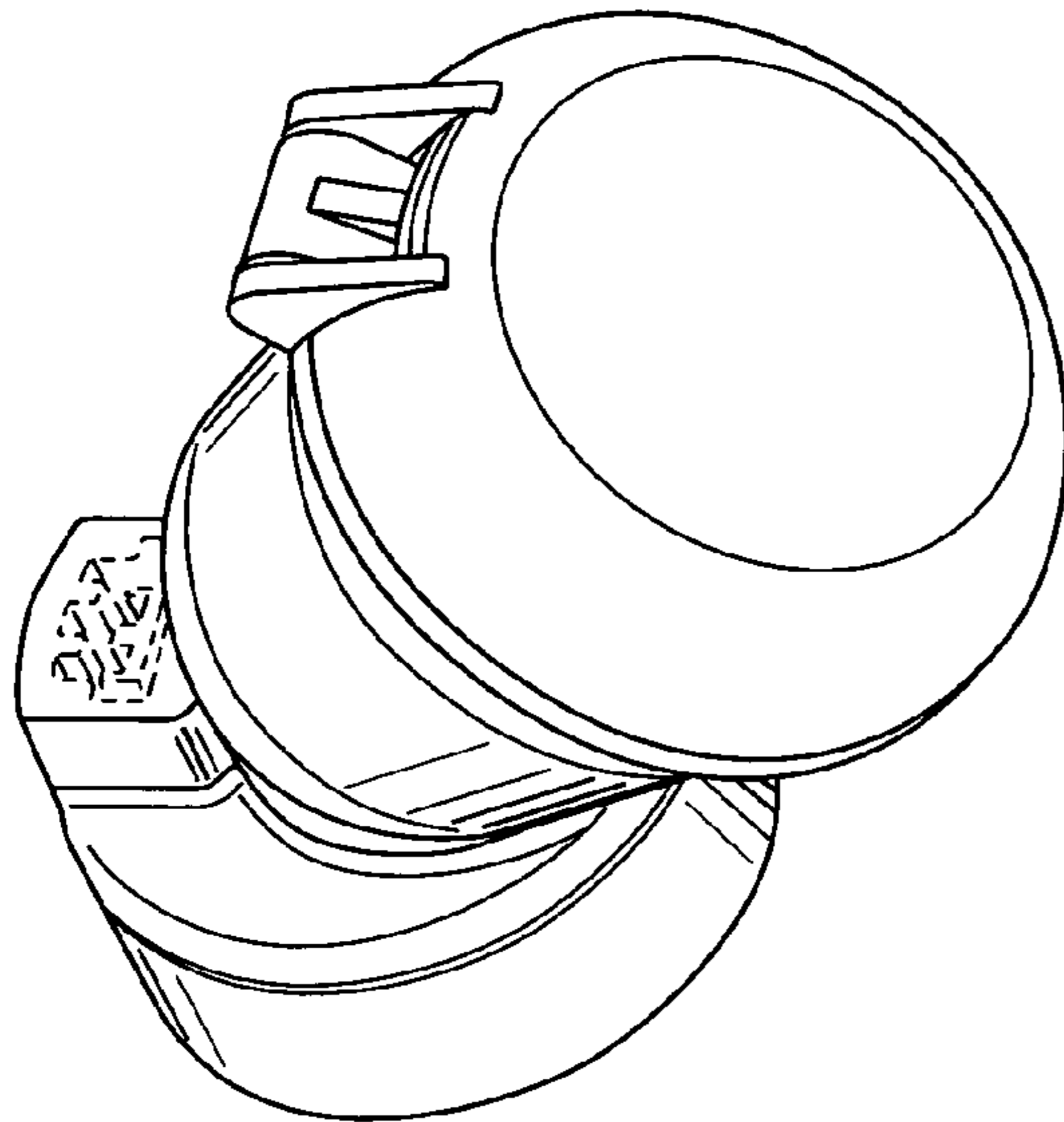


FIG. 1

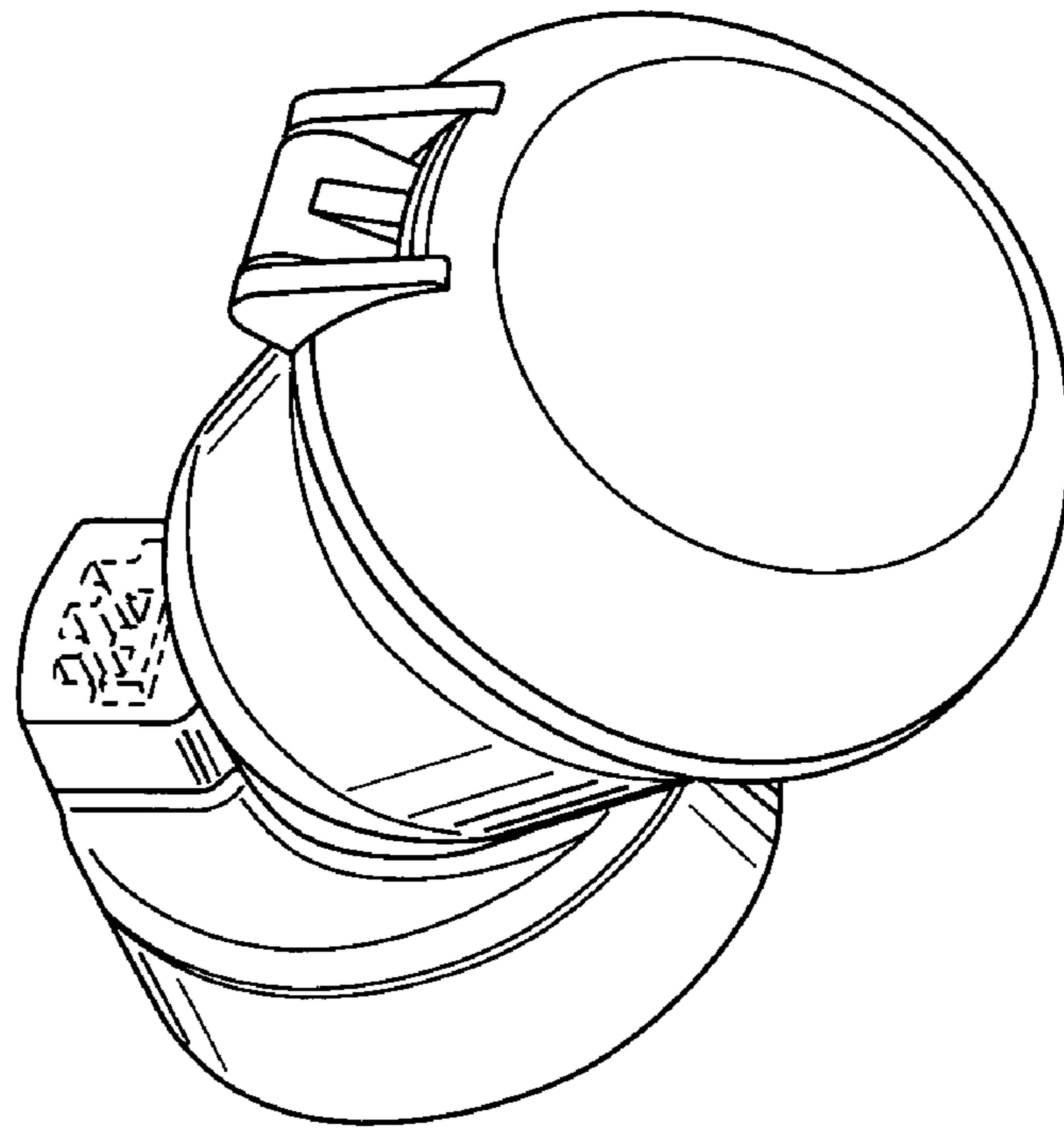


FIG. 2

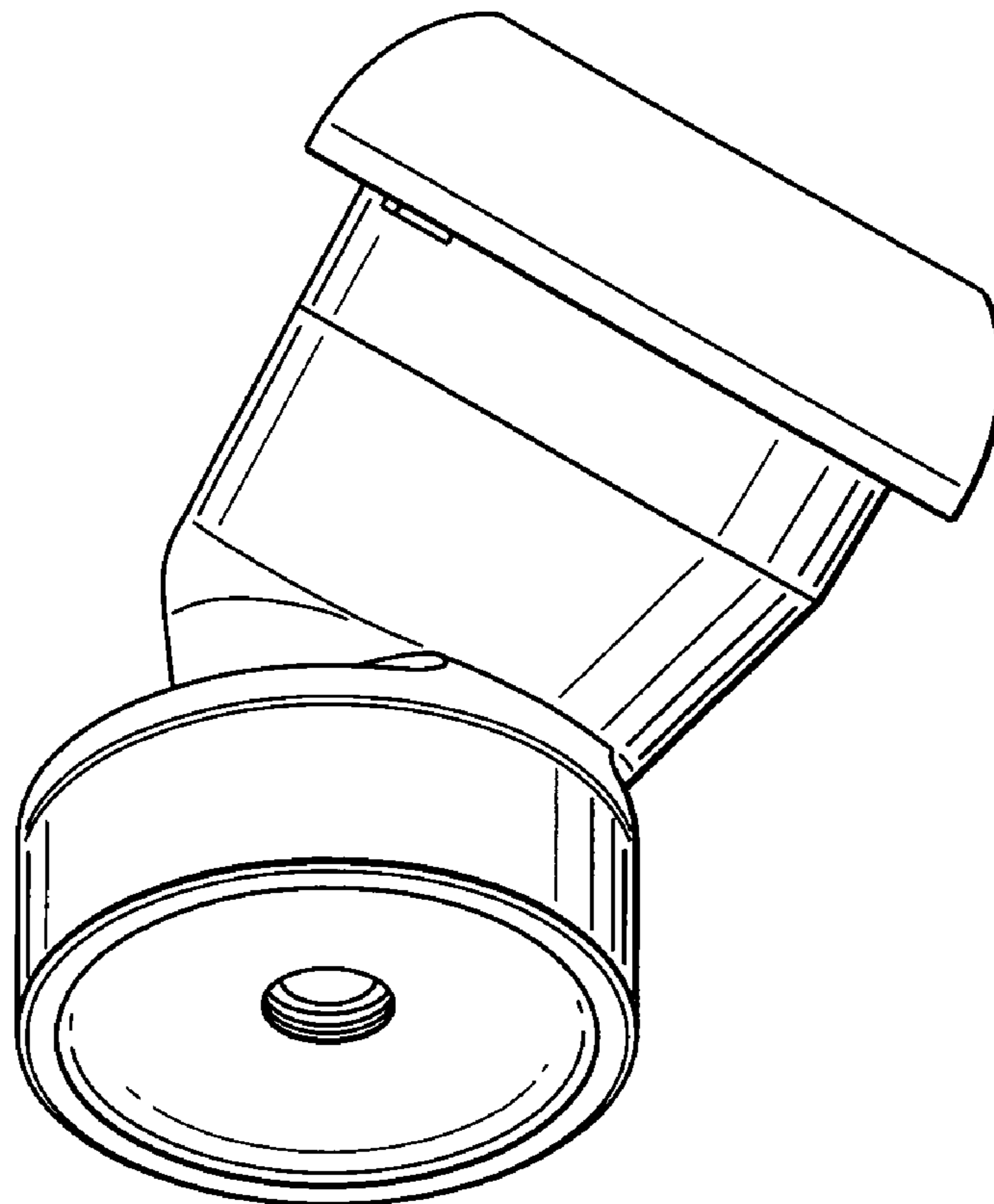


FIG. 3

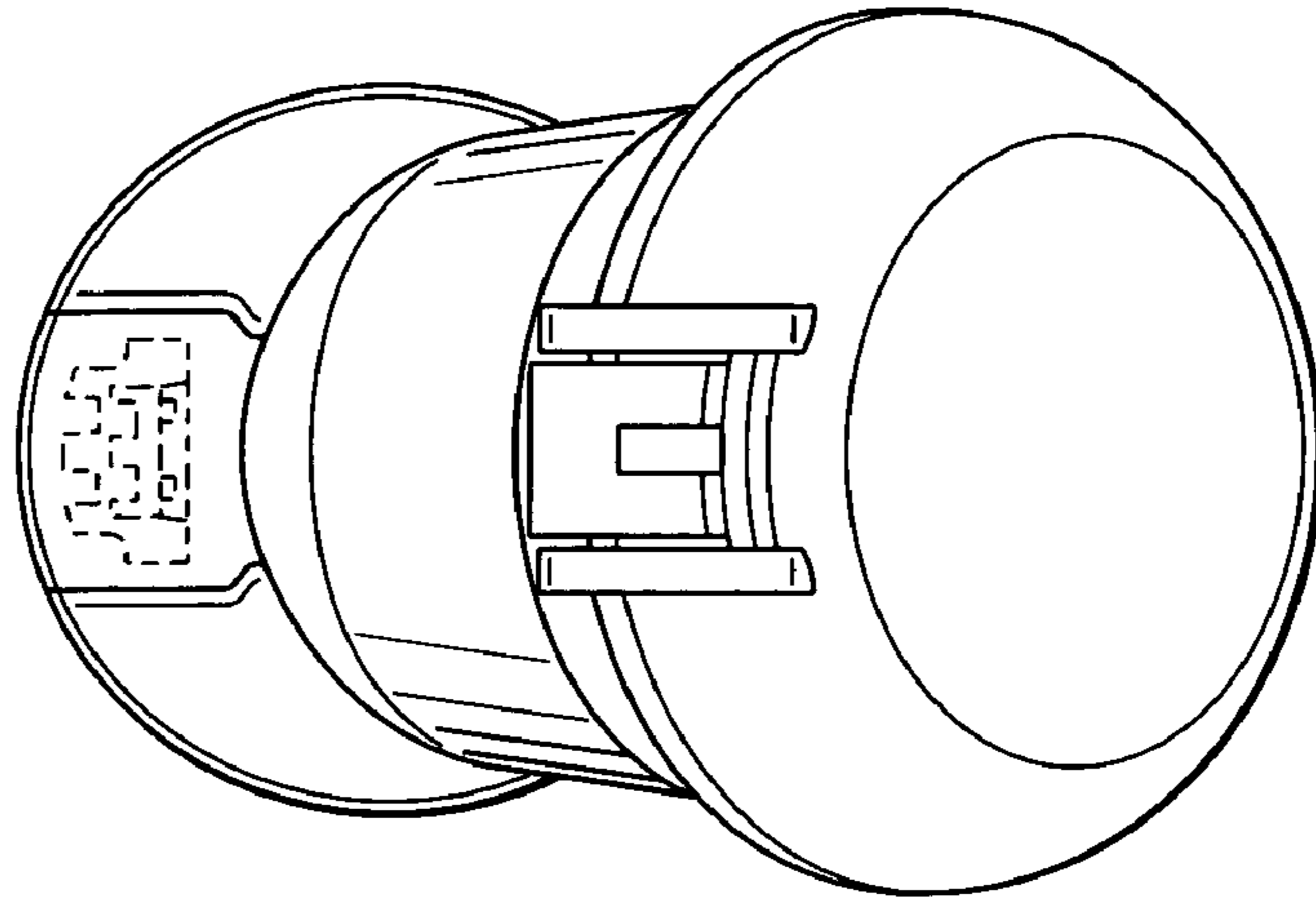


FIG. 4

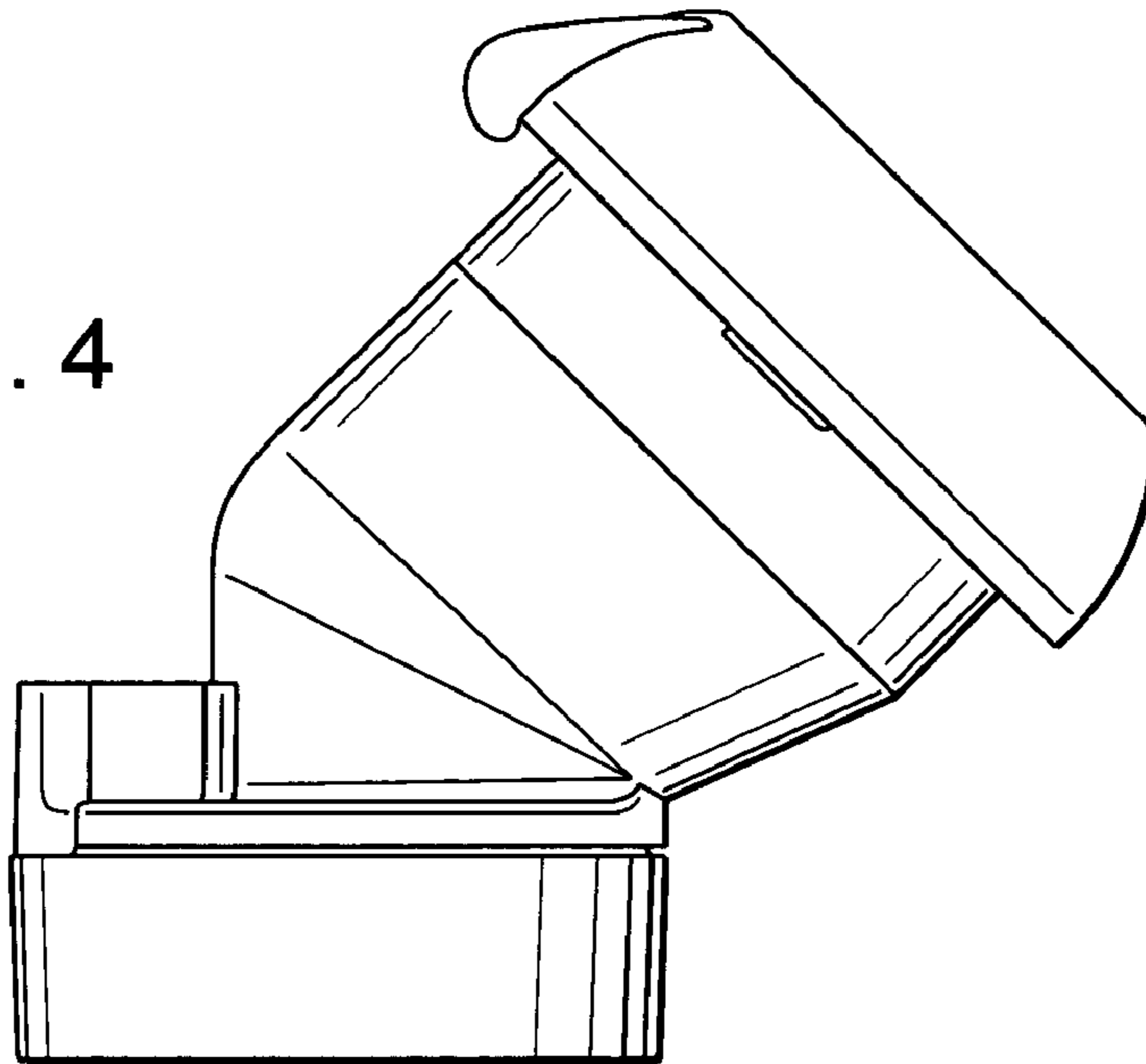


FIG. 5

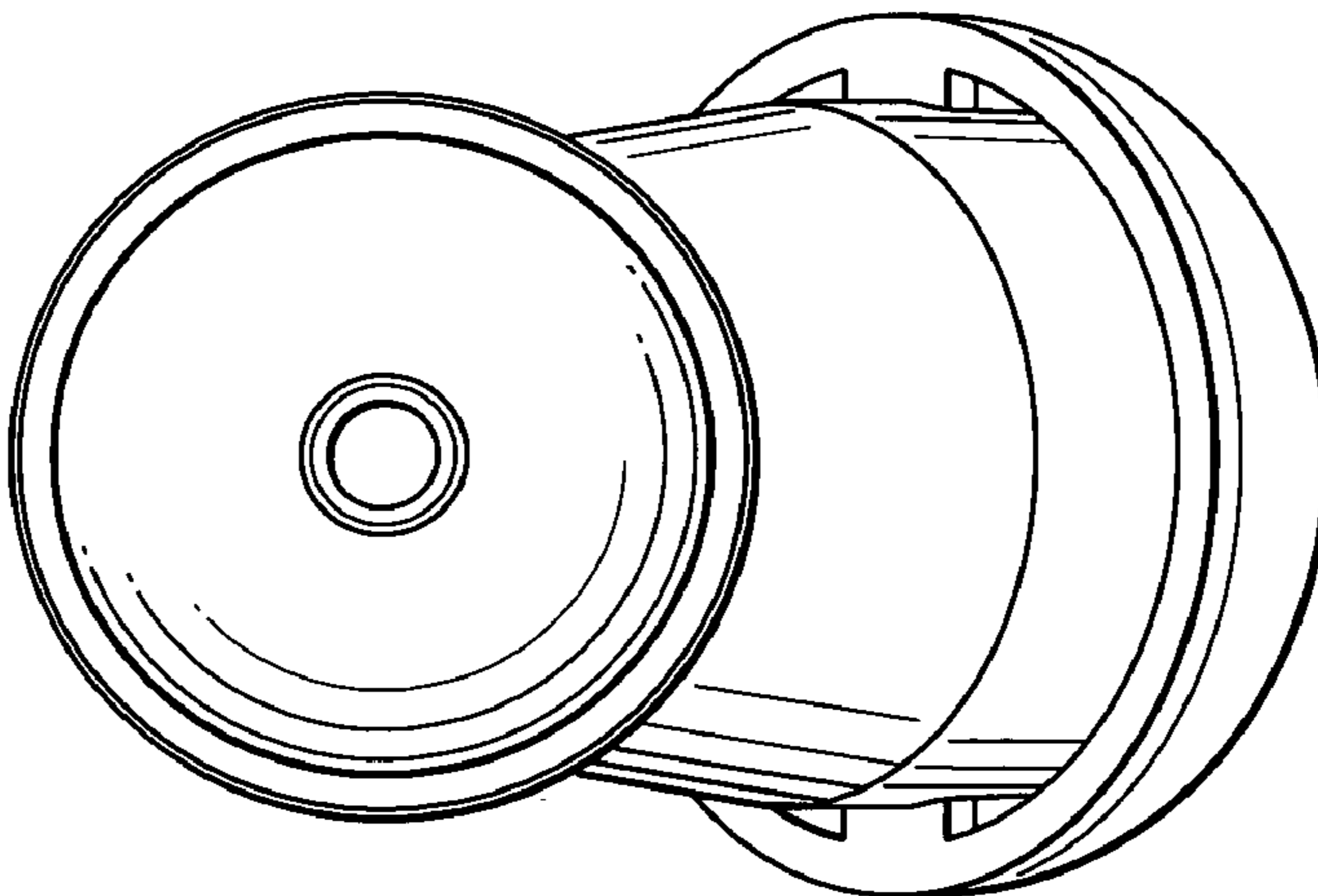


FIG. 6

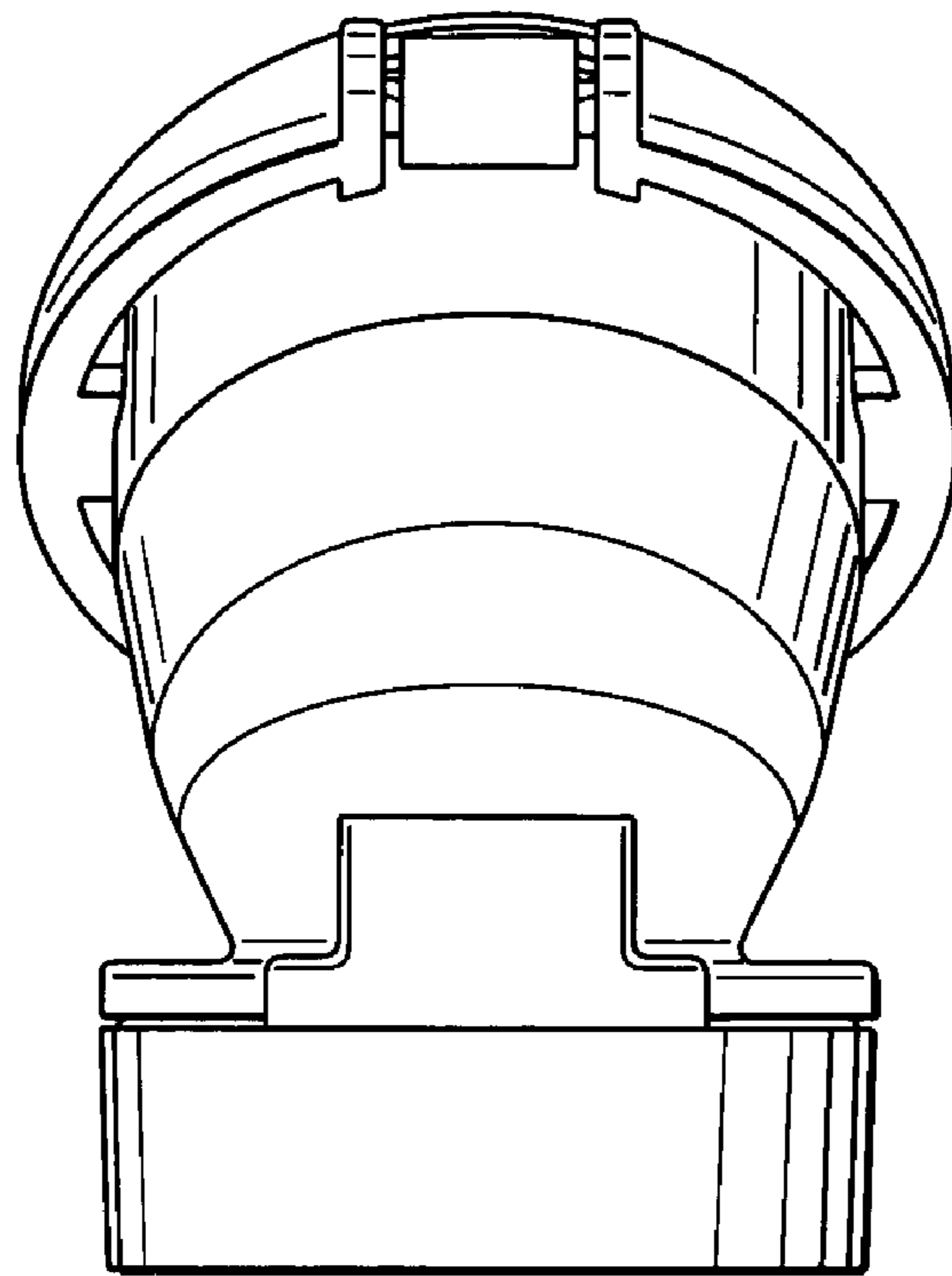


FIG. 7

