



US00D591416S

(12) **United States Design Patent**
Prowizor et al.

(10) **Patent No.:** **US D591,416 S**

(45) **Date of Patent:** **** Apr. 28, 2009**

(54) **EAR PLUG**

7,264,081 B2 * 9/2007 Bruck 181/135
7,464,786 B2 * 12/2008 Falco et al. 181/135

(76) Inventors: **Randal D. Prowizor**, 3510 208th La.,
NW., Oak Grove, MN (US) 55303;
Robert J. Randle, 6808 Harriet Ave. S.,
Richfield, MN (US) 55423

* cited by examiner

Primary Examiner—Ian Simmons

Assistant Examiner—Anna J Burmeister

(74) *Attorney, Agent, or Firm*—Vidas, Arrett & Steinkraus,
P.A.

(**) Term: **14 Years**

(21) Appl. No.: **29/318,906**

(22) Filed: **May 30, 2008**

(51) **LOC (9) Cl.** **24-04**

(52) **U.S. Cl.** **D24/106**

(58) **Field of Classification Search** D24/106,
D24/173, 174; 128/864; 181/129, 130, 135;
D29/112

See application file for complete search history.

(56) **References Cited**

U.S. PATENT DOCUMENTS

3,259,128	A *	7/1966	Leight	128/865
D242,743	S *	12/1976	Leight	D24/106
4,314,553	A *	2/1982	Westerdal	128/864
4,774,938	A *	10/1988	Leight	128/864
5,809,574	A *	9/1998	Falco et al.	2/209
5,904,143	A *	5/1999	Magidson et al.	128/864
6,129,175	A *	10/2000	Tutor et al.	181/135
7,107,993	B2 *	9/2006	Magidson	128/864

(57) **CLAIM**

The ornamental design for a sparkplug-shaped ear plug, as shown and described.

DESCRIPTION

FIG. 1 is a front perspective view of an ear plug, showing our new design;

FIG. 2 is a top plan view thereof;

FIG. 3 is a bottom plan view thereof;

FIG. 4 is a rear elevational view thereof; and,

FIG. 5 is a left side elevational view thereof, whereas the right side elevational view is a mirror image.

The broken lines shown in the FIGS. 1 and 4 drawings of the hole are for illustrative purposes only and form no part of the claimed design.

1 Claim, 2 Drawing Sheets

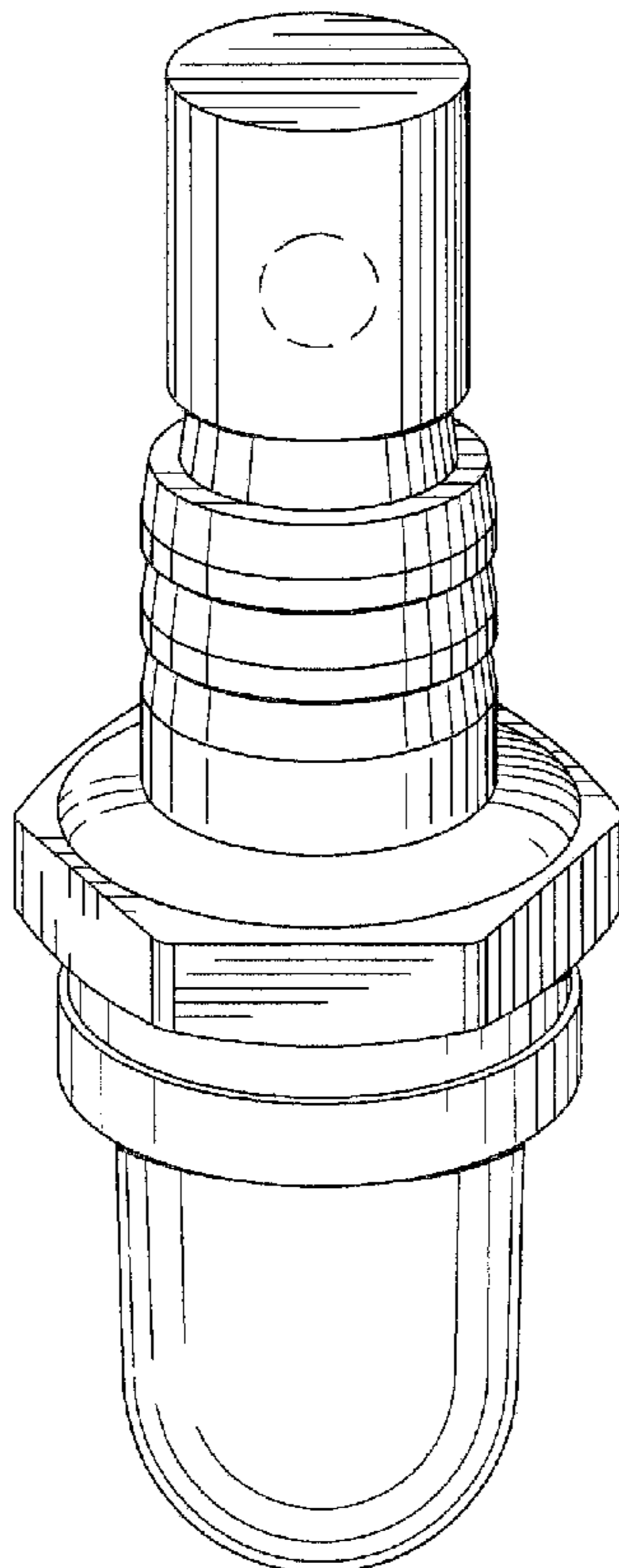


FIG. 1

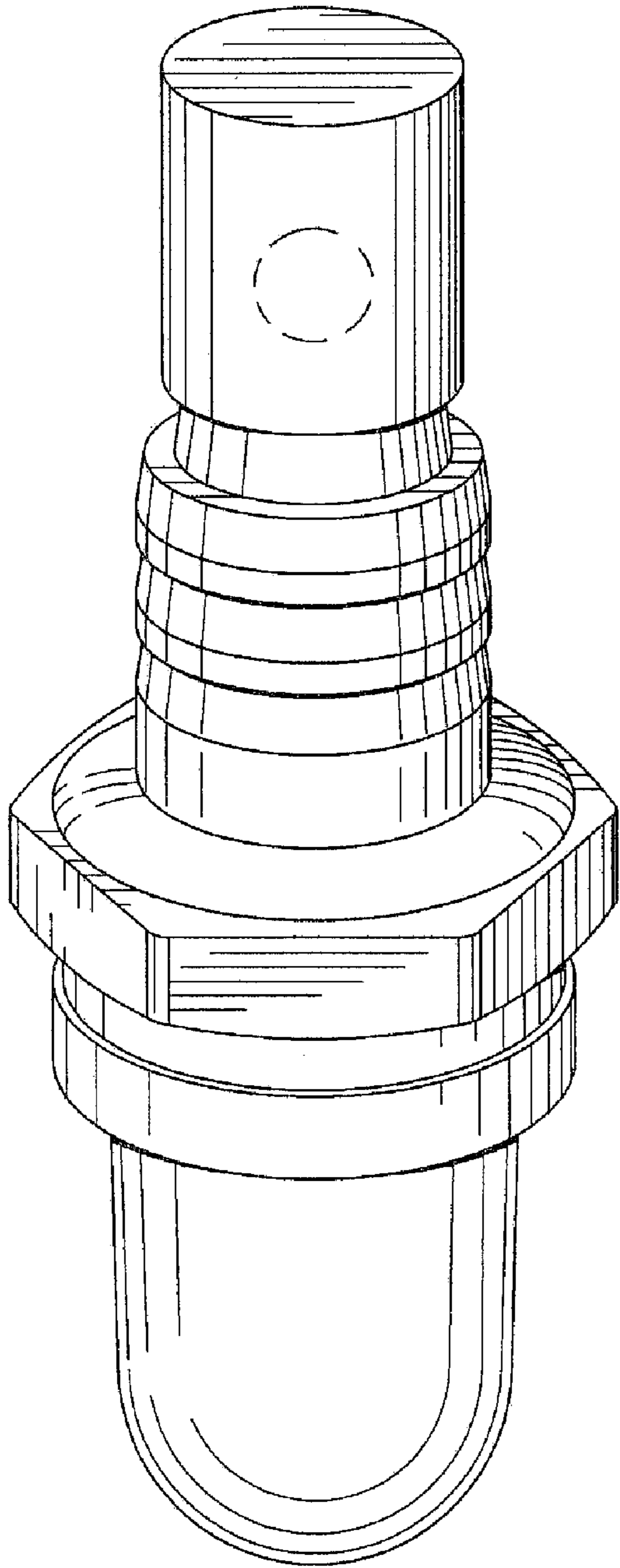


FIG. 2

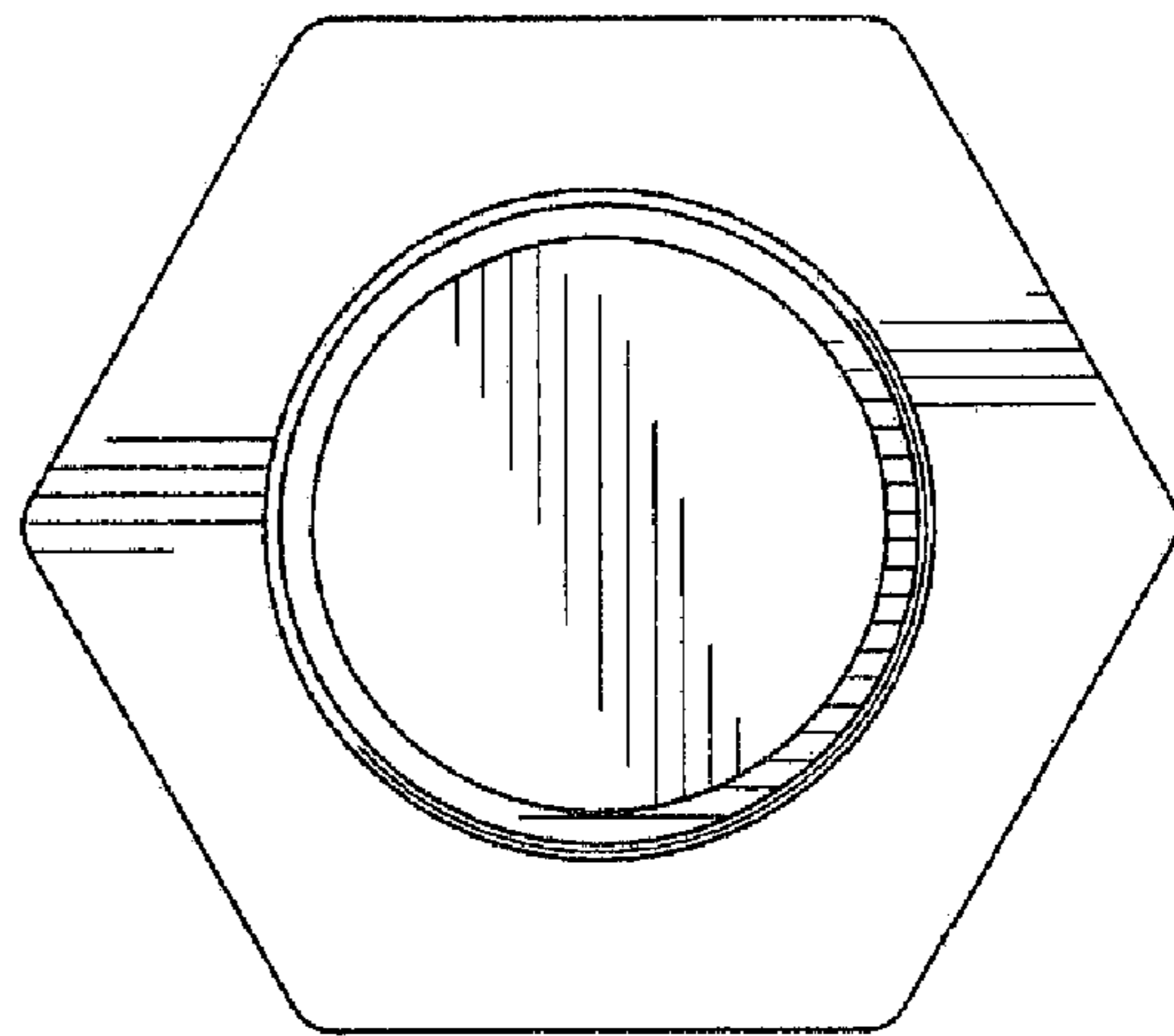


FIG. 3

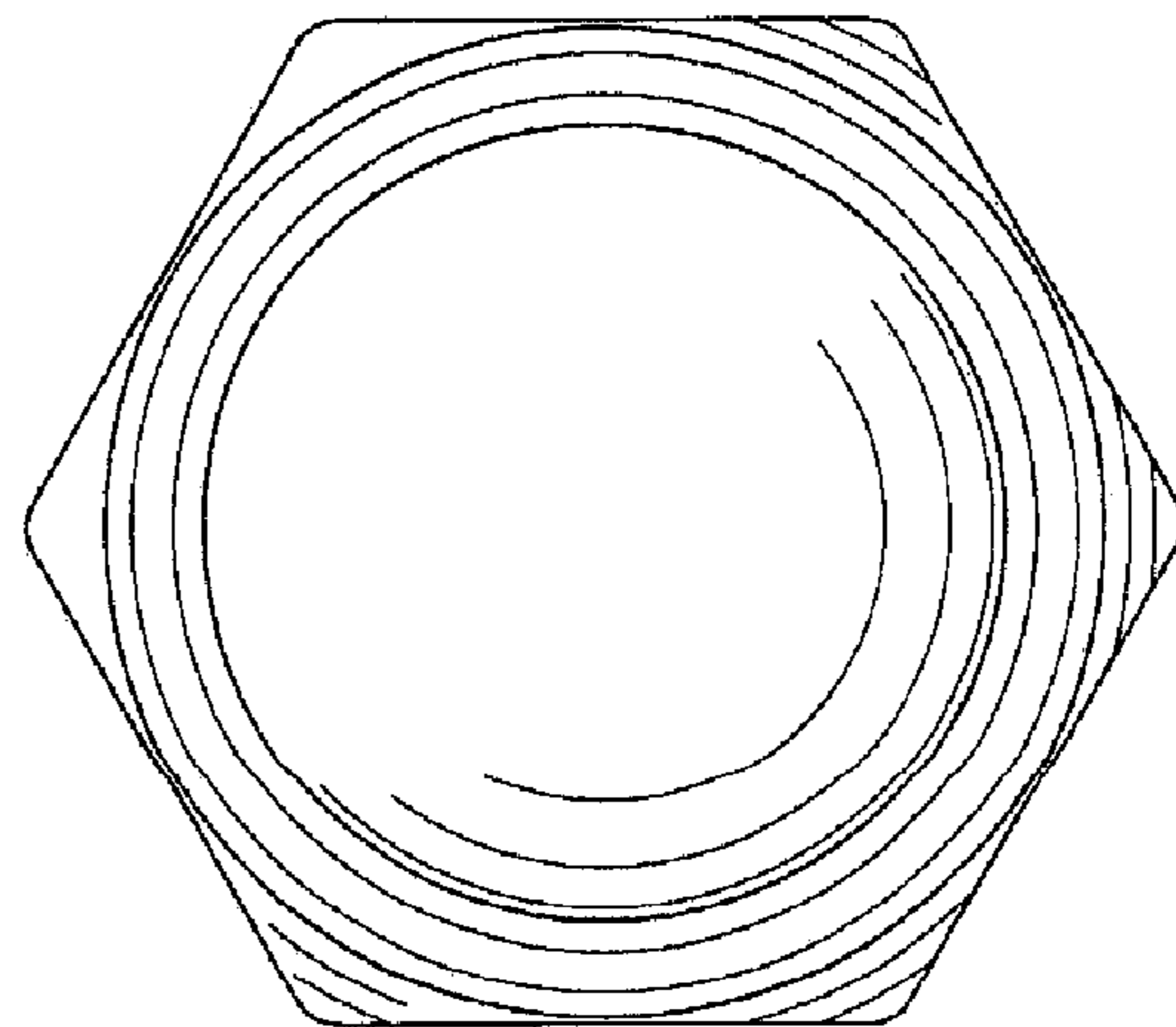


FIG. 4

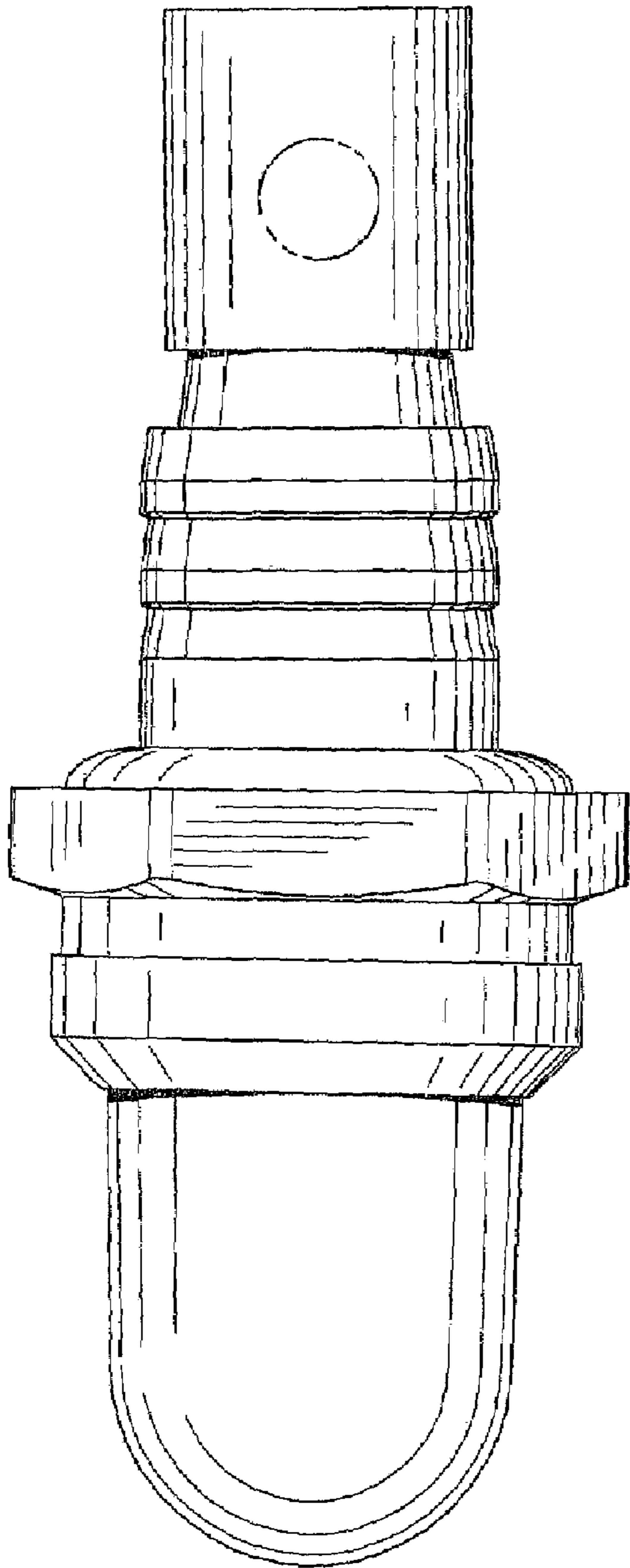


FIG. 5

