



US00D591415S

(12) **United States Design Patent**
Wu

(10) **Patent No.:** **US D591,415 S**
(45) **Date of Patent:** **** Apr. 28, 2009**

(54) **AIR FRESHENER DEVICE**

(75) Inventor: **Henry Wu**, Taipei (TW)

(73) Assignee: **Aromate Industries Co., Ltd.** (TW)

(**) Term: **14 Years**

(21) Appl. No.: **29/312,968**

(22) Filed: **Nov. 26, 2008**

(51) **LOC (9) Cl.** **28-99**

(52) **U.S. Cl.** **D23/366**

(58) **Field of Classification Search** D23/355-369;
261/DIG. 17, DIG. 42, DIG. 65, DIG. 88,
261/DIG. 89; 239/34, 35, 37, 44, 53, 56,
239/57, 60, 136, 326; 392/386, 390, 394,
392/395; D28/5, 6

See application file for complete search history.

(56) **References Cited**

U.S. PATENT DOCUMENTS

D334,975 S *	4/1993	Bunce et al.	D23/366
D424,677 S *	5/2000	Chen	D23/366
D436,536 S *	1/2001	Levi	D9/447
D441,441 S *	5/2001	Upson	D23/366
6,631,852 B1 *	10/2003	O'Leary	239/60
D498,836 S *	11/2004	Morillas	D23/366
D517,673 S *	3/2006	Yamamoto et al.	D23/366
D521,620 S *	5/2006	Tseng et al.	D23/364
D544,953 S *	6/2007	Kee	D23/368

D550,345 S *	9/2007	Weggelaar	D23/366
D553,233 S *	10/2007	Hatch et al.	D23/366
D559,372 S *	1/2008	Lam	D23/364
D565,164 S *	3/2008	Duston et al.	D23/366
D565,715 S *	4/2008	Wu	D23/366
D582,535 S *	12/2008	Nickel et al.	D23/366
D584,391 S *	1/2009	Howlett et al.	D23/366
D585,129 S *	1/2009	Huang	D23/366
D585,537 S *	1/2009	Weggelaar	D23/366

* cited by examiner

Primary Examiner—Sandra Snapp

(74) *Attorney, Agent, or Firm*—Ira S. Dorman

(57) **CLAIM**

The ornamental design for an air freshener device, as shown.

DESCRIPTION

FIG. 1 is perspective view of an air freshener device embodying the present invention;

FIG. 2 is a front view of the air freshener device;

FIG. 3 is a rear view of the air freshener device;

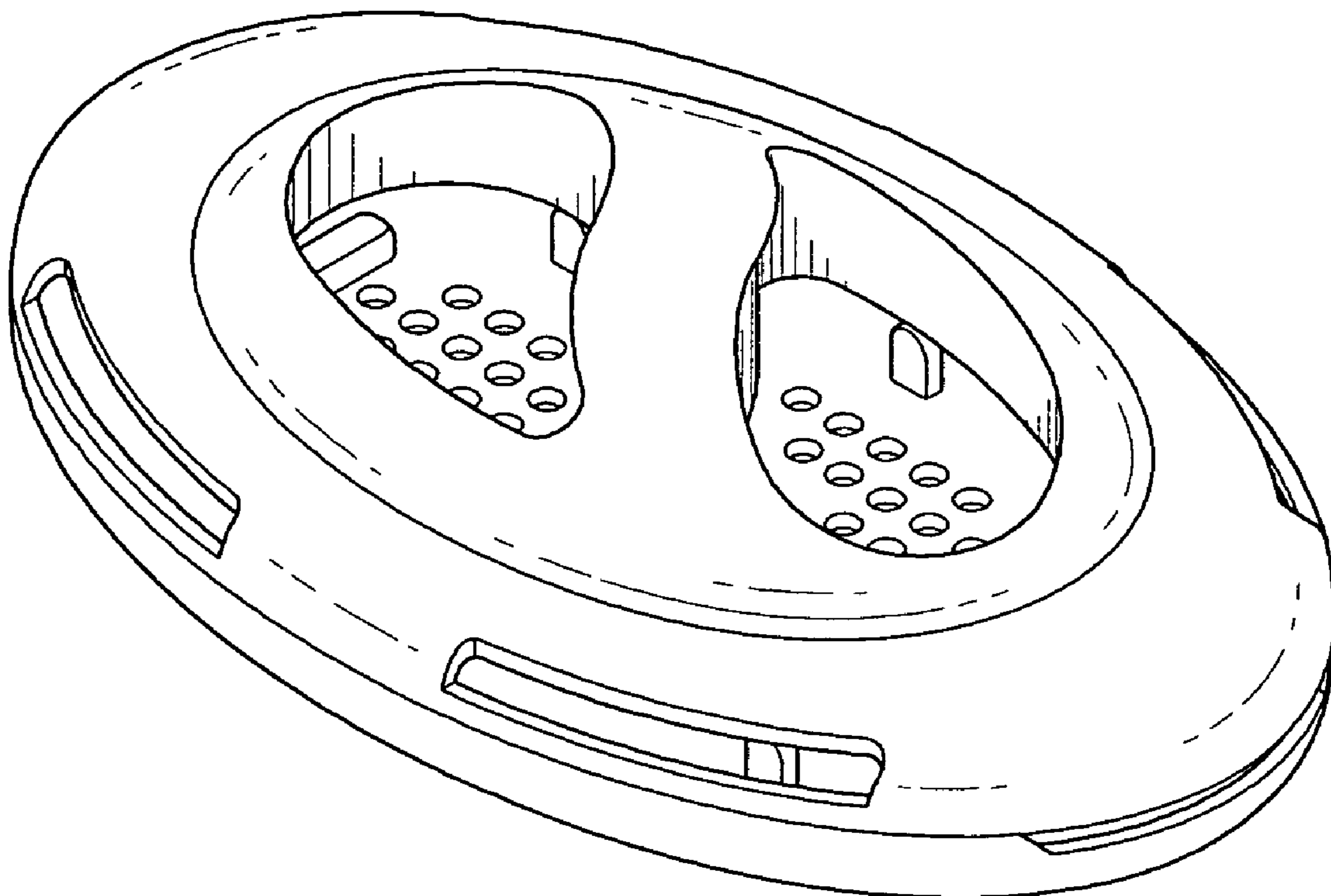
FIG. 4 is a left end view of the air freshener device (in the orientation shown in FIG. 1);

FIG. 5 is a right end view of the air freshener device;

FIG. 6 is a top plan view of the air freshener device; and,

FIG. 7 is a bottom view of the air freshener device.

1 Claim, 7 Drawing Sheets



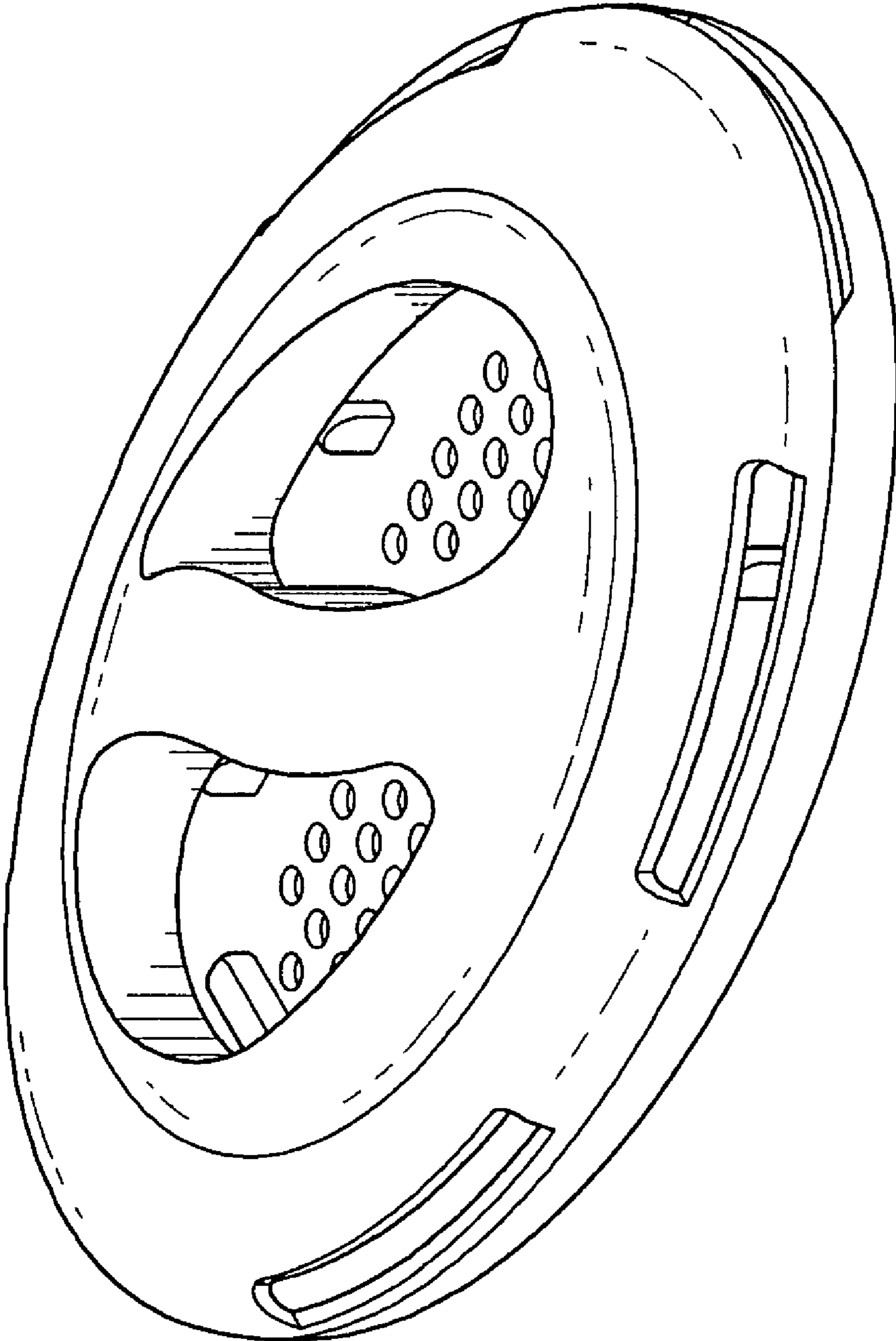


FIG. 1

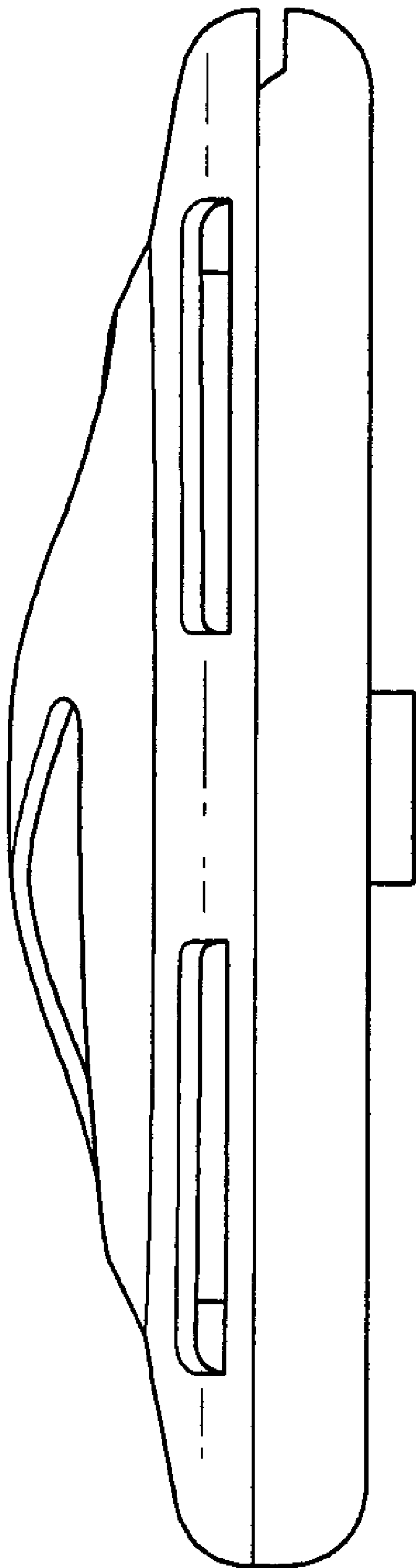


FIG. 2

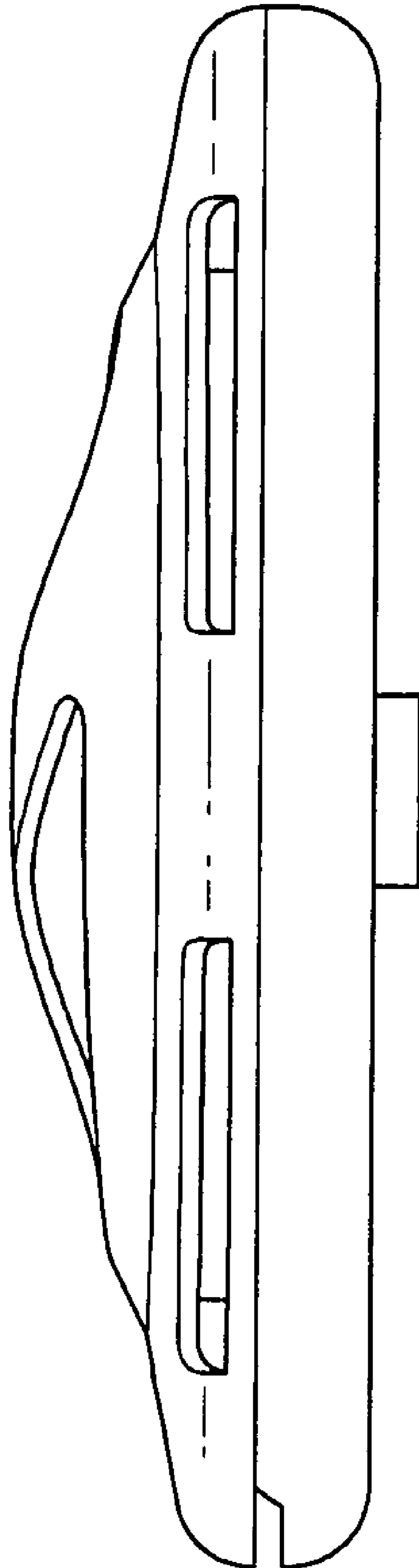


FIG. 3

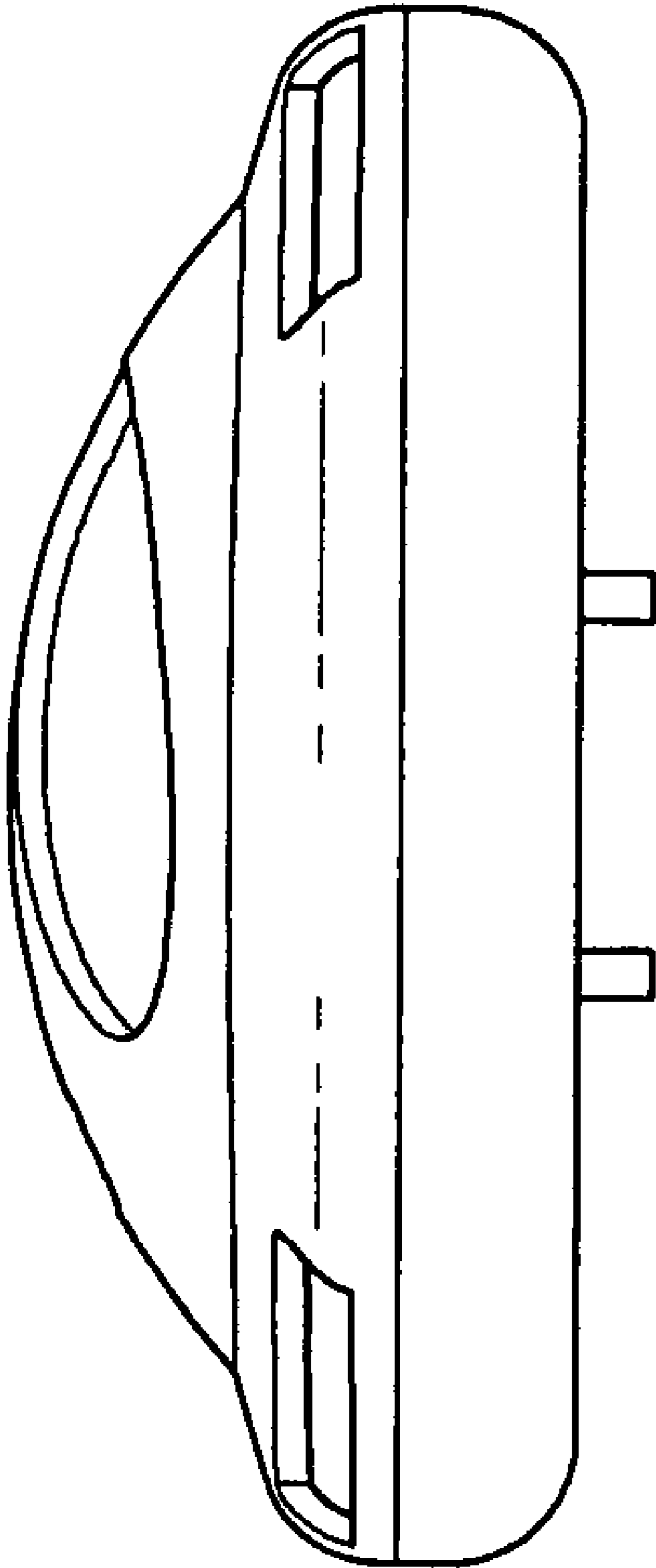


FIG. 4

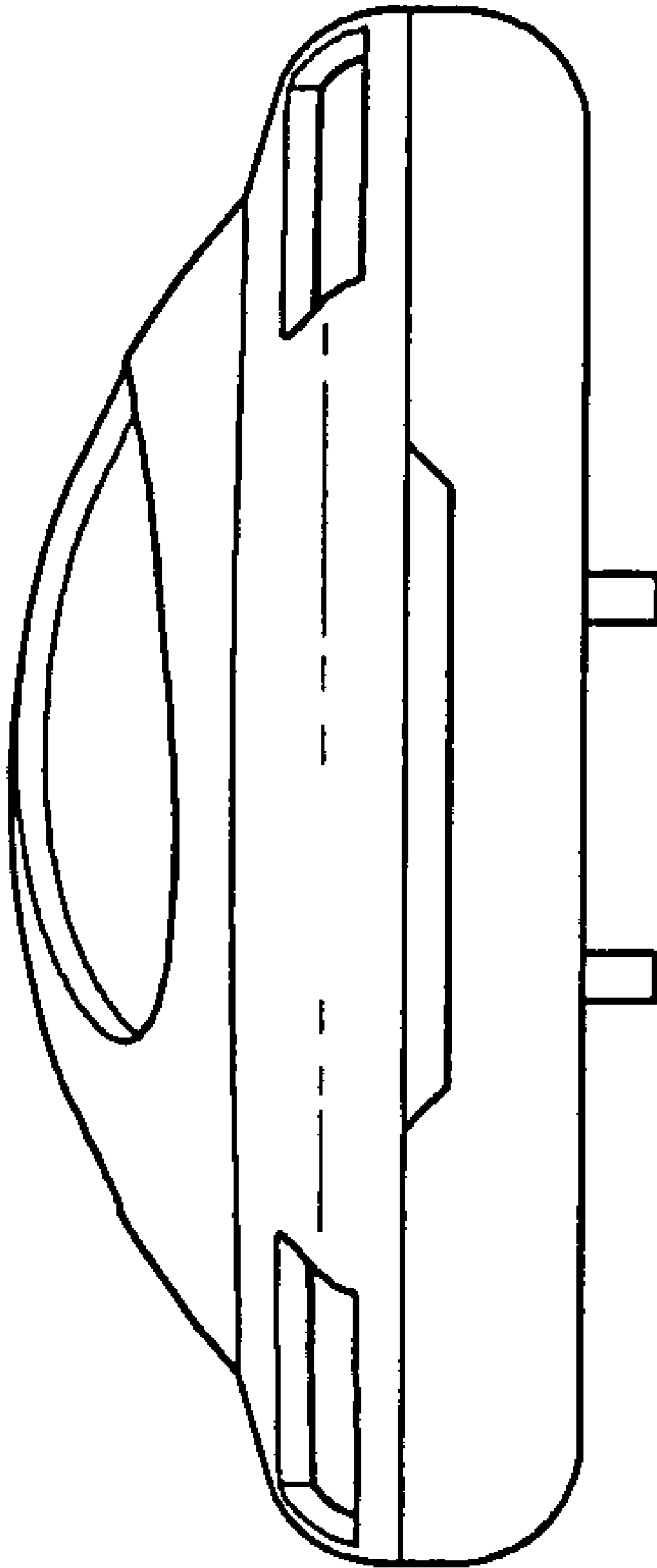


FIG. 5

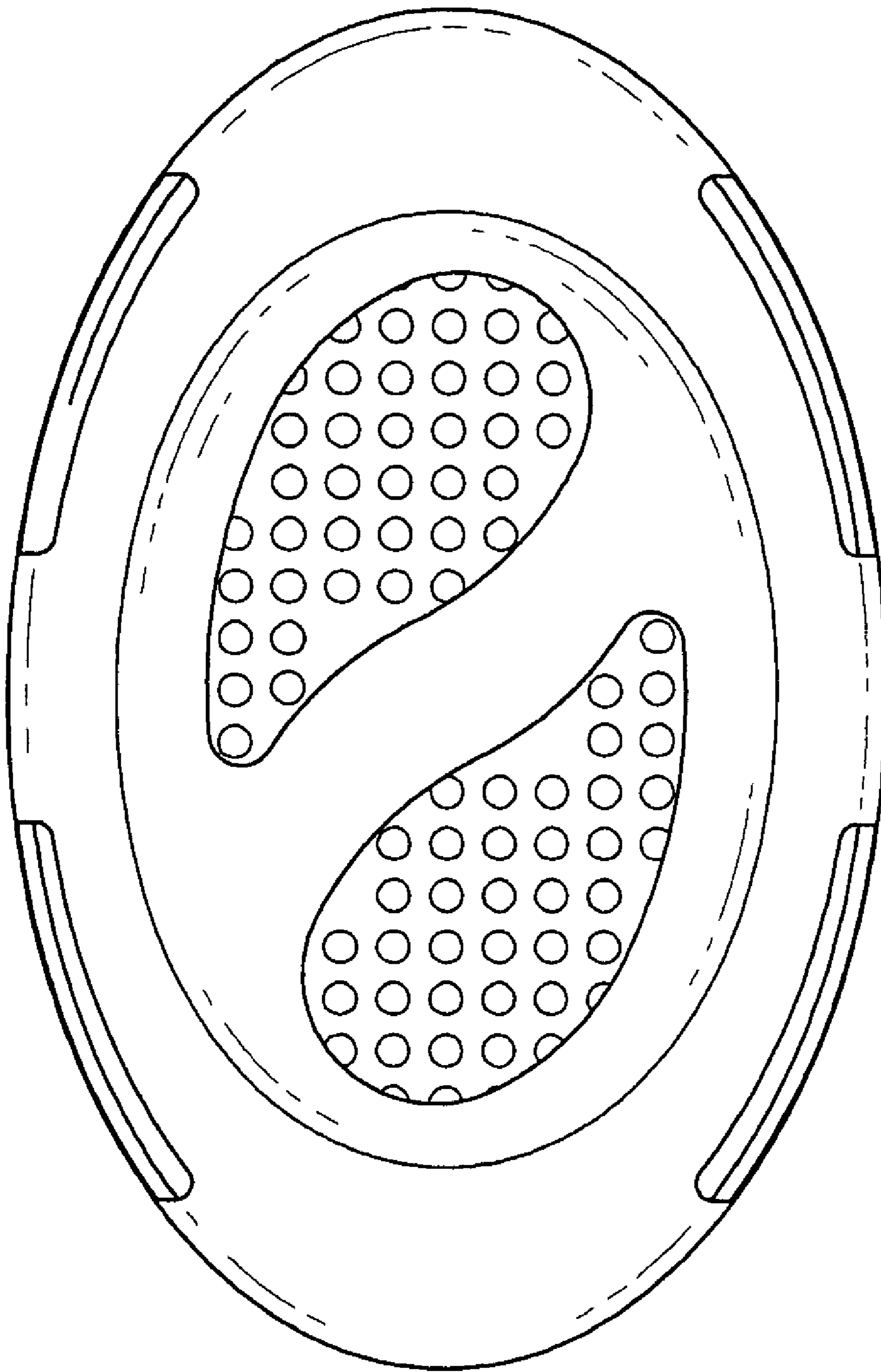


FIG. 6

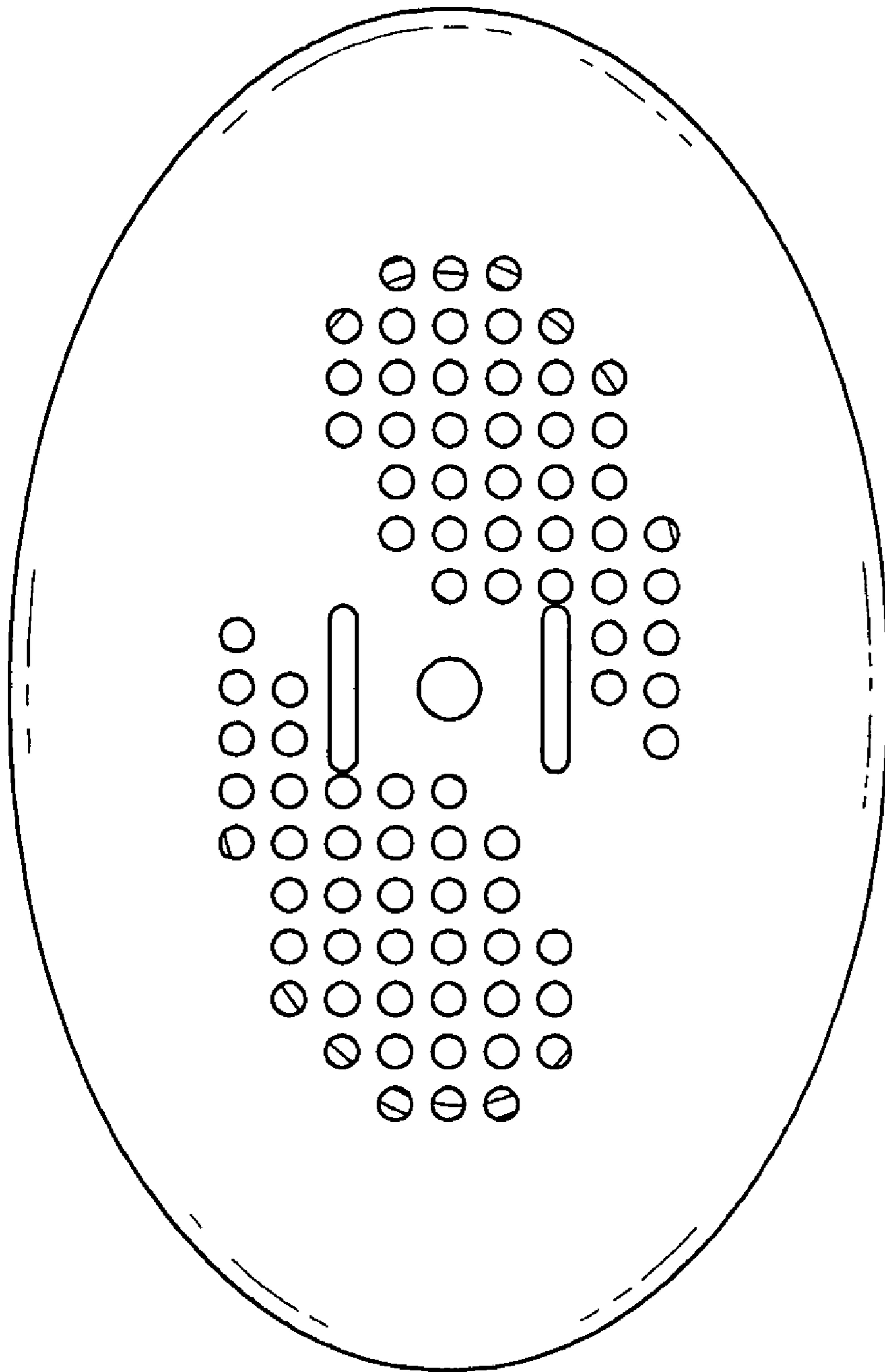


FIG. 7