

US00D591414S

(12) **United States Design Patent**
Farnaby et al.

(10) **Patent No.:** **US D591,414 S**
(45) **Date of Patent:** **** Apr. 28, 2009**

(54) **GAS PURIFIER**

7,332,010 B2 * 2/2008 Steiner 55/486

(75) Inventors: **James Farnaby**, Gateshead (GB); **David McMillan**, Newcastle upon Tyne (GB)

* cited by examiner

(73) Assignee: **Domnick Hunter Ltd.**, Birtley, Co. Durham (GB)

Primary Examiner—Robin V Webster

(74) *Attorney, Agent, or Firm*—Maginot, Moore & Beck LLP

(**) Term: **14 Years**

(57) **CLAIM**

(21) Appl. No.: **29/233,963**

The ornamental design for a gas purifier, as shown and described.

(22) Filed: **Jul. 12, 2005**

DESCRIPTION

(30) **Foreign Application Priority Data**

Jan. 28, 2005 (EM) 000289889

FIG. 1 is a top perspective view of a gas purifier showing our new design;

(51) **LOC (9) Cl.** **23-04**

FIG. 2 is a front elevational view showing the design for the gas purifier of FIG. 1;

(52) **U.S. Cl.** **D23/365; D23/209**

FIG. 3 is a right side elevational view showing the design for the gas purifier of FIG. 1; and,

(58) **Field of Classification Search** D23/207, D23/209, 364, 365; 55/319, 498; 96/147
See application file for complete search history.

FIG. 4 is a top elevational view showing the design for the gas purifier of FIG. 1.

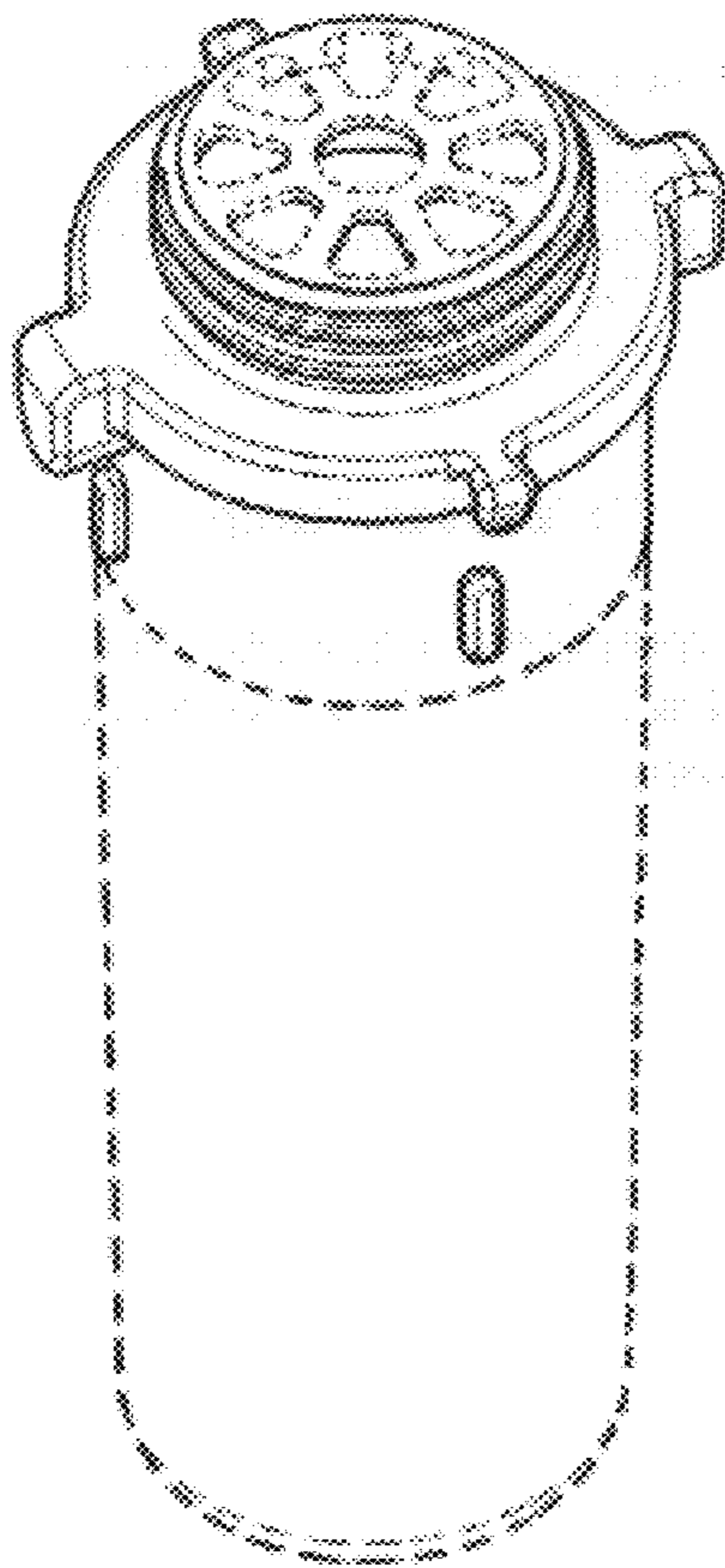
(56) **References Cited**

U.S. PATENT DOCUMENTS

3,421,315 A * 1/1969 Aoi 60/297
4,925,466 A * 5/1990 Overby 55/319
6,723,149 B2 * 4/2004 Ernst et al. 55/498
7,332,009 B2 * 2/2008 Casey et al. 55/423

In FIGS. 1–4, the broken lines showing of various items including (i) the structural detail on the top portion of the gas purifier (FIGS. 1 and 4), and (ii) the structural detail of the lower portion of the gas purifier (FIGS. 1–3) is for illustrative purposes only and forms no part of the claimed design.

1 Claim, 4 Drawing Sheets



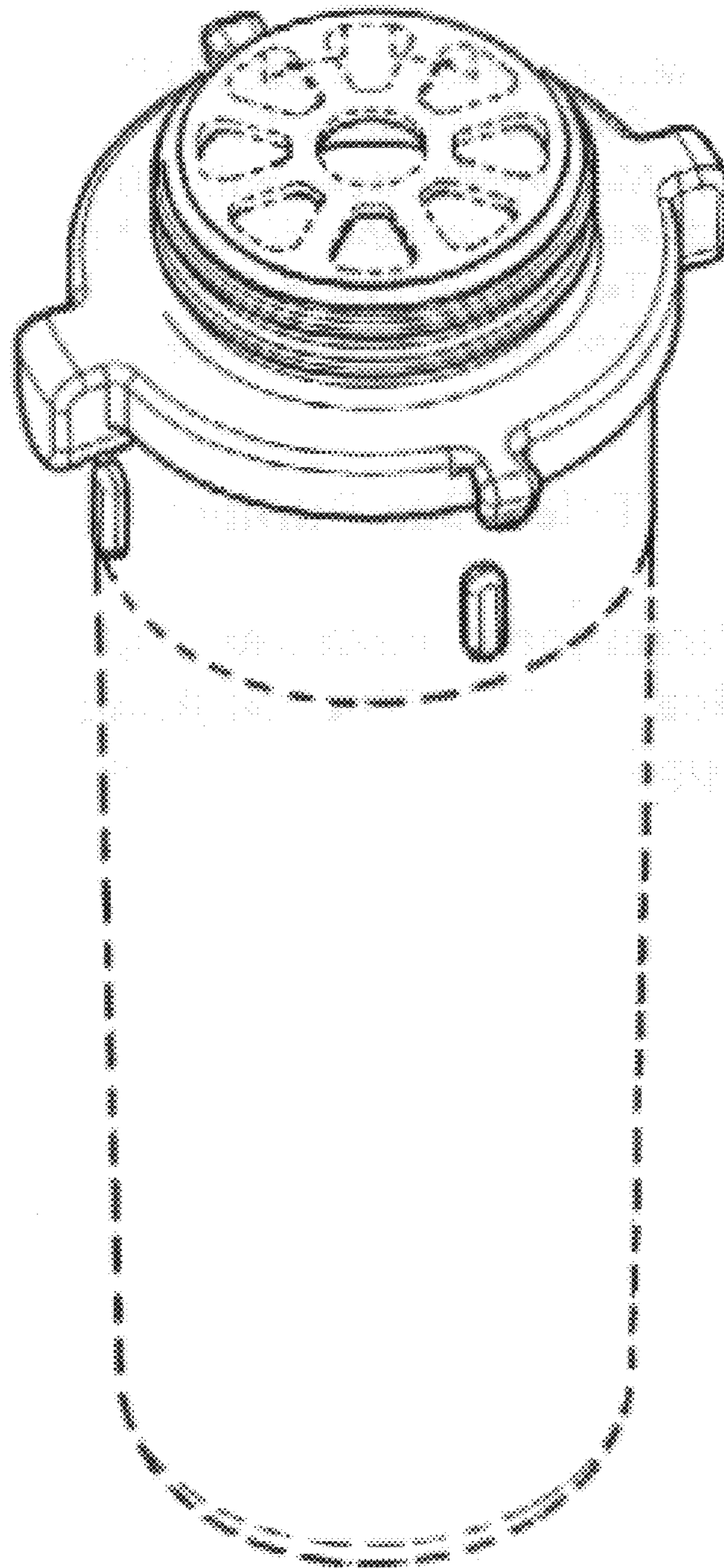


Fig. 1

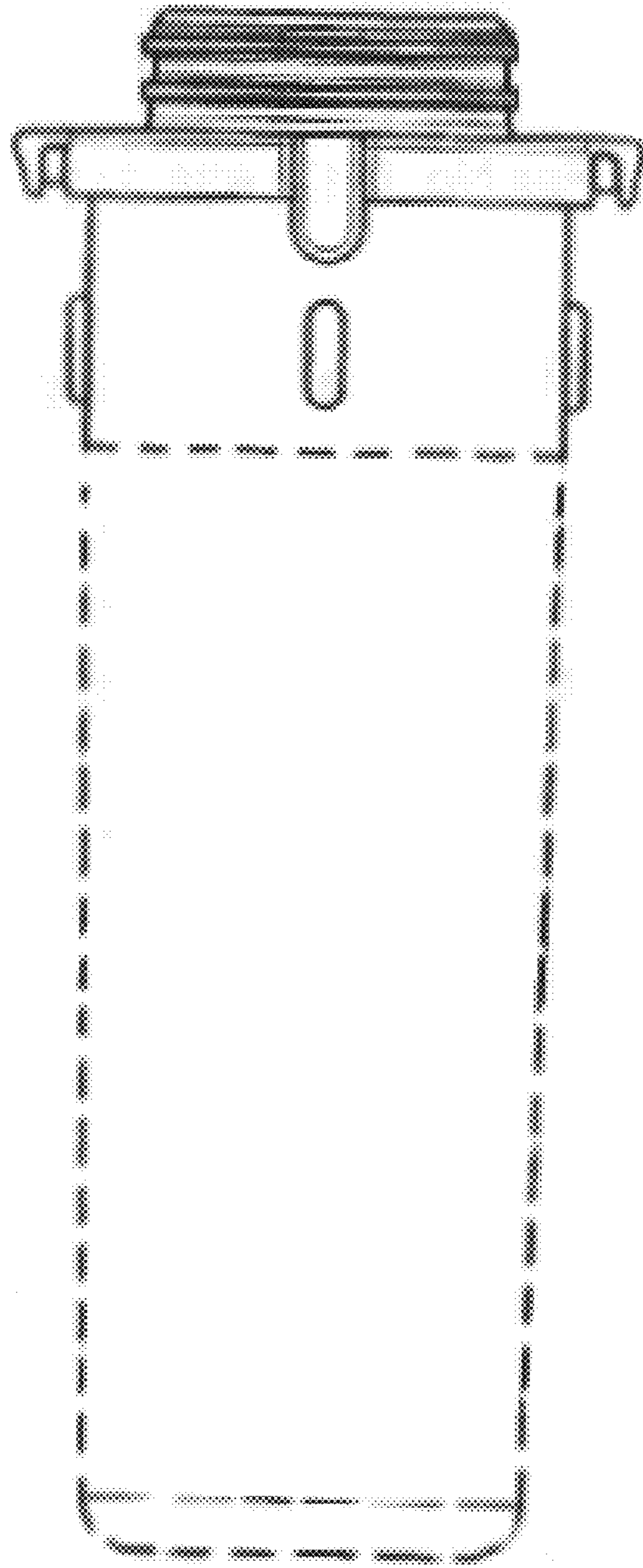


Fig. 2

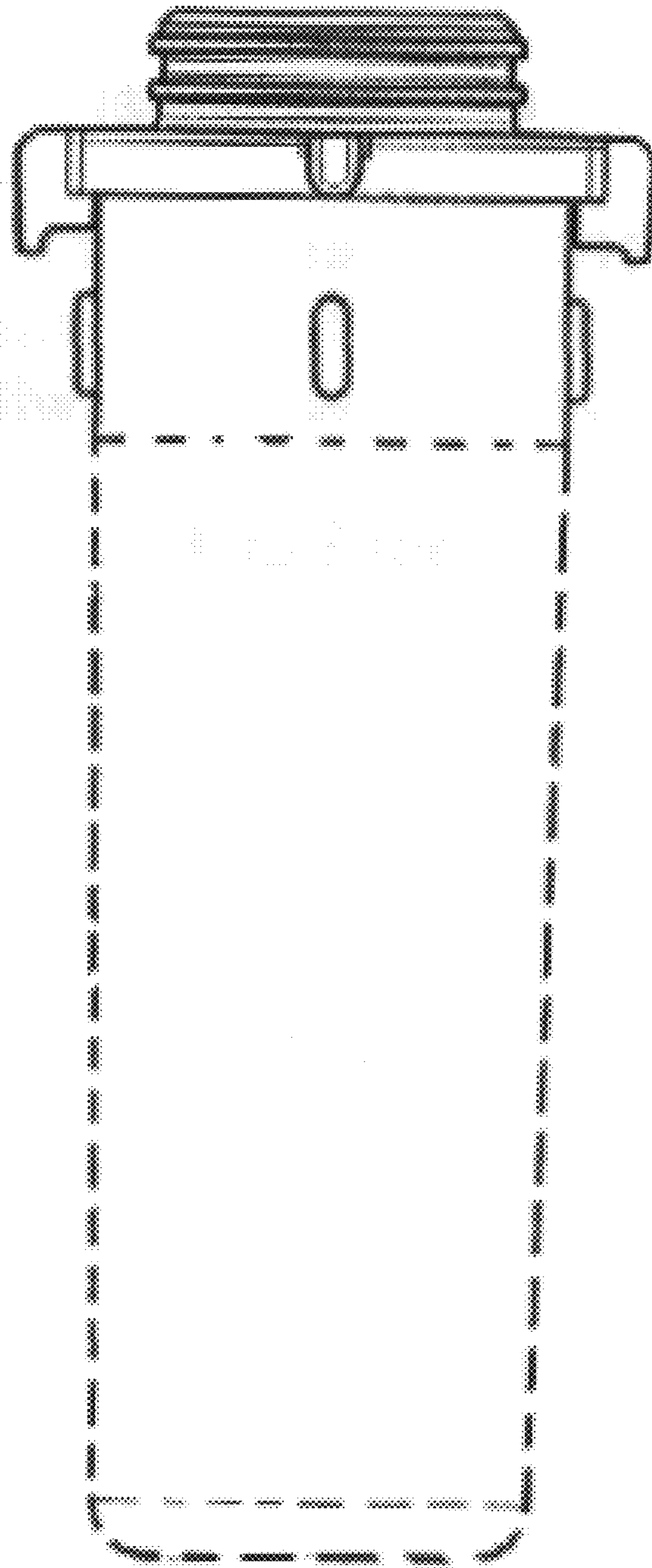


Fig. 3

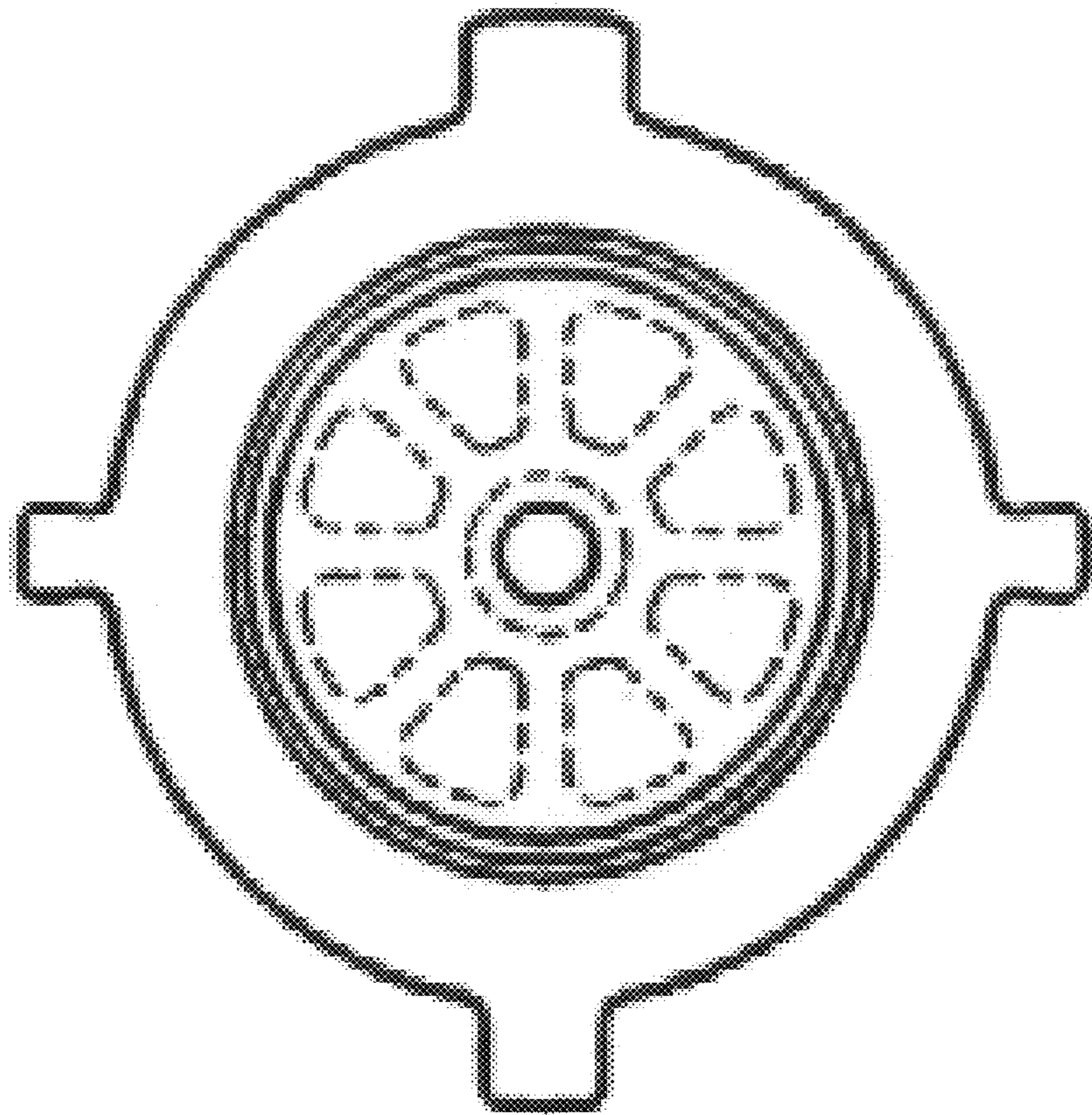


Fig. 4