

US00D591409S

(12) **United States Design Patent**
Kashimoto

(10) **Patent No.:** **US D591,409 S**

(45) **Date of Patent:** **** Apr. 28, 2009**

(54) **AIR CONDITIONER**

(75) Inventor: **Hiroko Kashimoto**, Shiga-ken (JP)

(73) Assignee: **Daikin Industries Ltd.**, Osaka-shi,
Osaka (JP)

(**) Term: **14 Years**

(21) Appl. No.: **29/311,064**

(22) Filed: **Dec. 18, 2008**

(30) **Foreign Application Priority Data**

Sep. 22, 2008 (JP) 2008-024198

(51) **LOC (9) Cl.** **23-04**

(52) **U.S. Cl.** **D23/351**

(58) **Field of Classification Search** D23/351-354;
312/236; 62/259.1, 259.4, 262-263, 304;
454/330-331, 349-350

See application file for complete search history.

(56) **References Cited**

U.S. PATENT DOCUMENTS

D568,975 S * 5/2008 Lim D23/351

D576,719 S * 9/2008 Seki D23/351

D580,033 S * 11/2008 Seki D23/351

D580,035 S * 11/2008 Seki D23/351

D580,537 S * 11/2008 Niki et al. D23/351

D584,389 S * 1/2009 Oh et al. D23/351

* cited by examiner

Primary Examiner—Brian N Vinson

(74) *Attorney, Agent, or Firm*—Manabu Kanesaka

(57) **CLAIM**

The ornamental design for an air conditioner, as shown and described.

DESCRIPTION

FIG. 1 is a perspective view of an air conditioner showing my new design;

FIG. 2 is a perspective view in a state of operation;

FIG. 3 is a front view thereof;

FIG. 4 is a rear view thereof;

FIG. 5 is a plan view thereof;

FIG. 6 is a bottom view thereof; and

FIG. 7 is a right side view thereof; and

FIG. 8 is a left side view thereof.

1 Claim, 6 Drawing Sheets

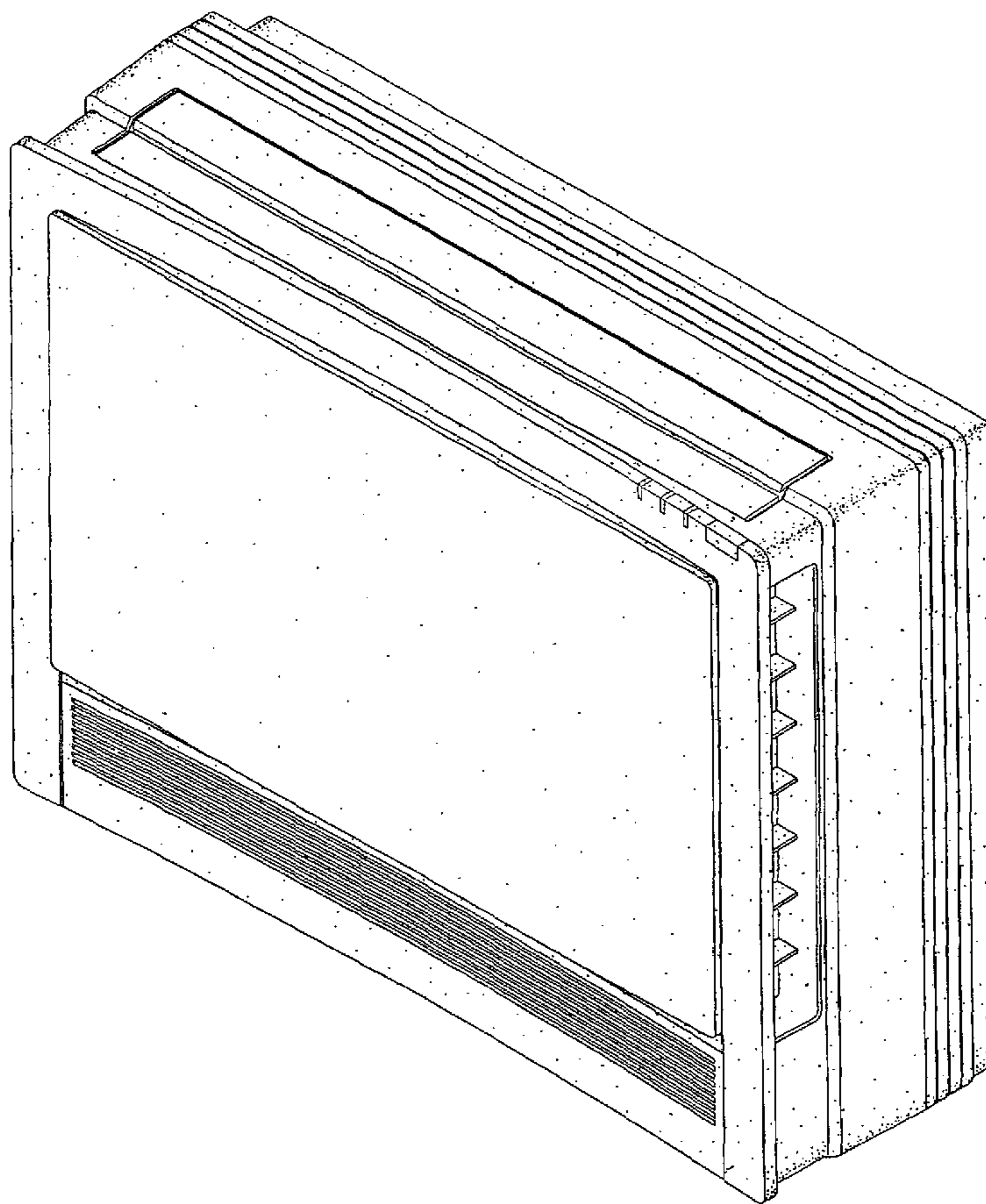


Fig. 1

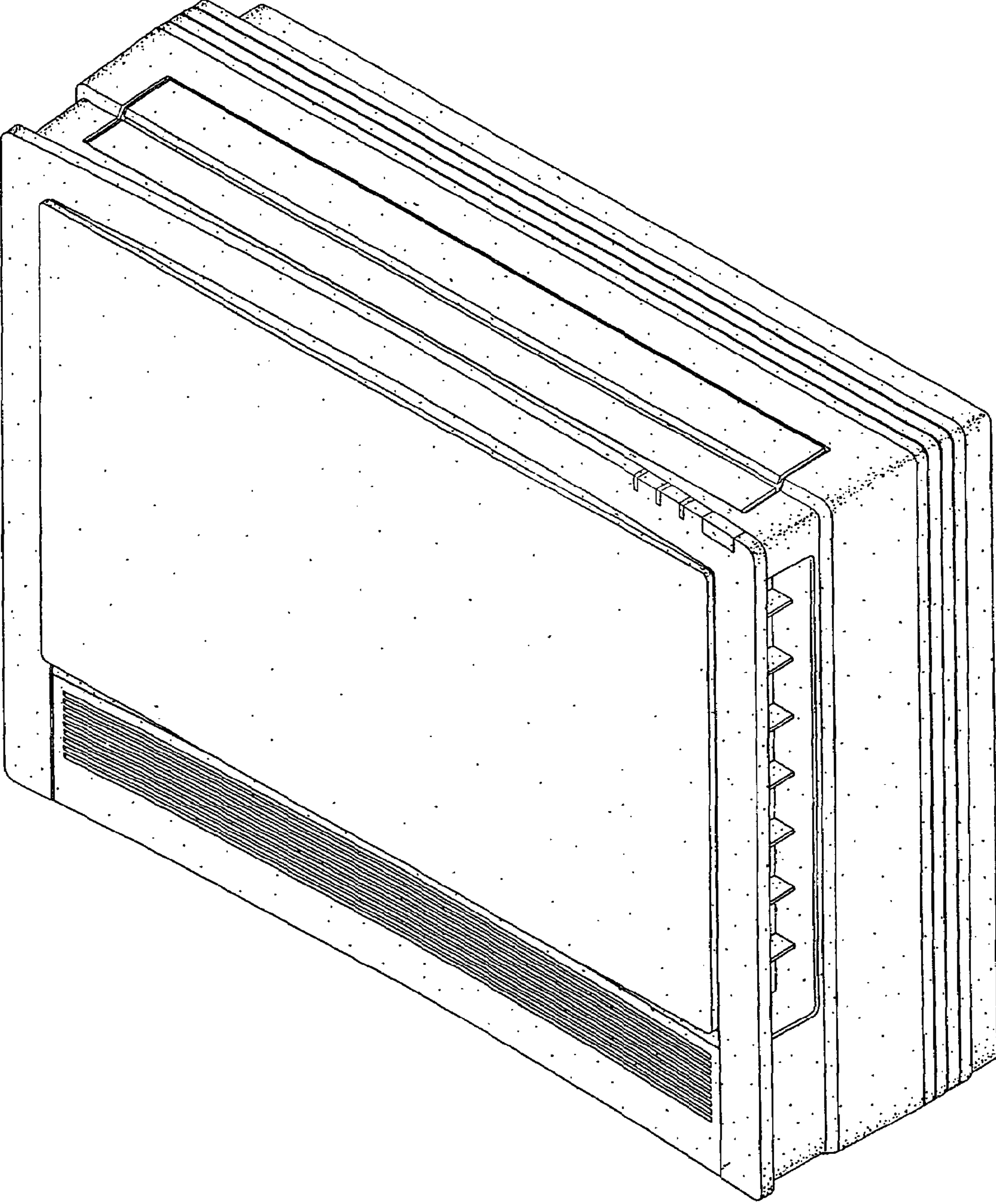


Fig. 2

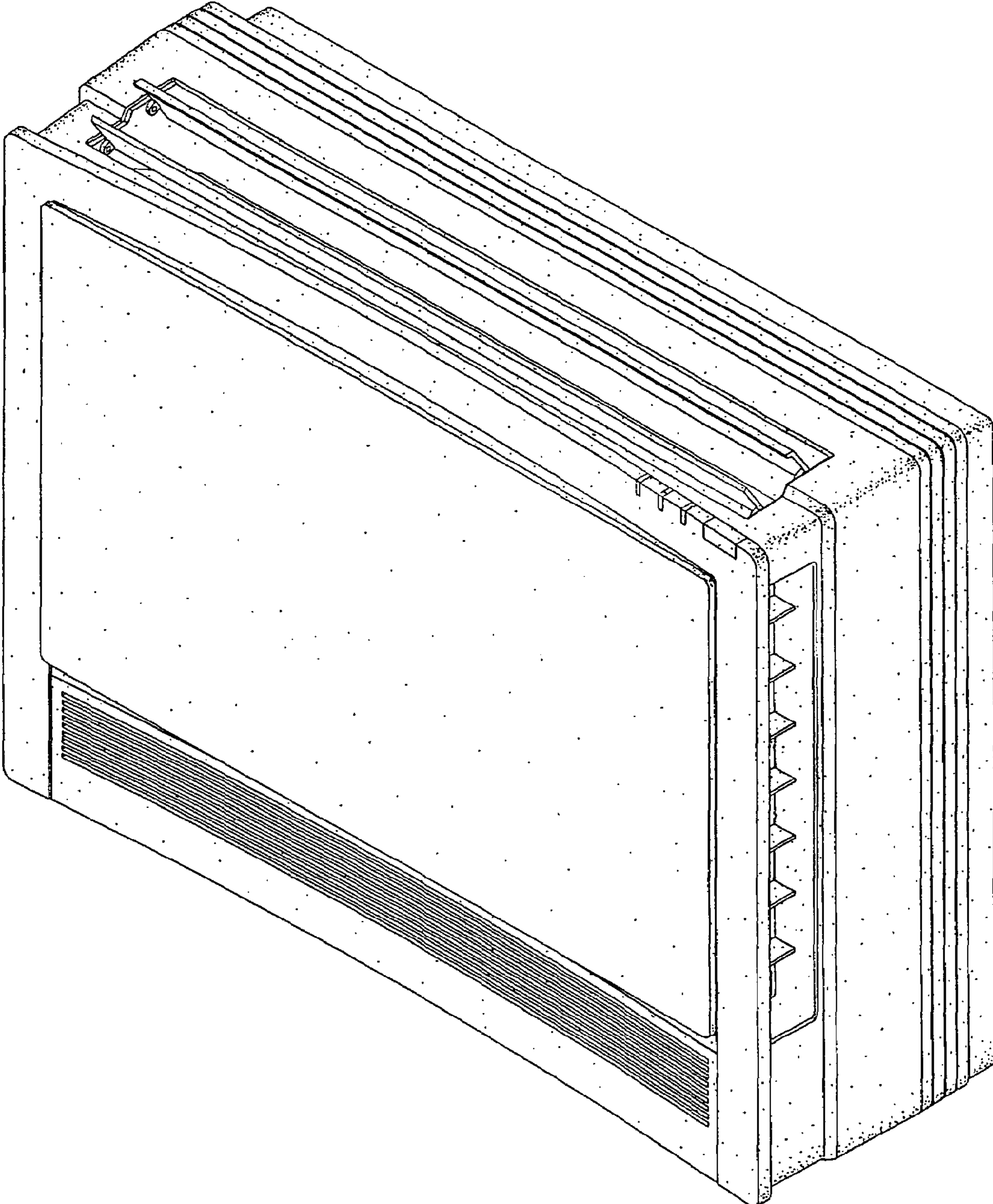


Fig. 3

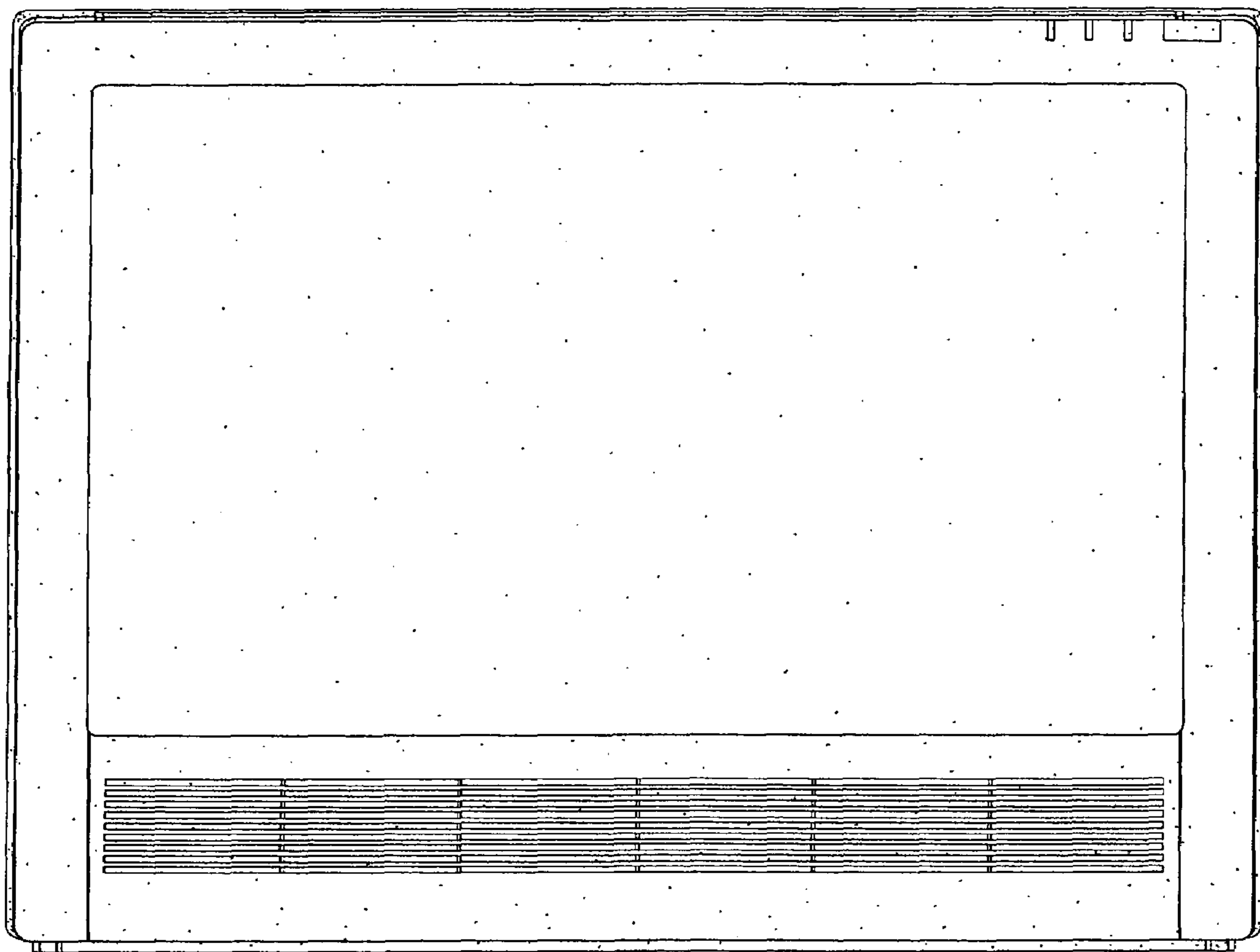


Fig. 4

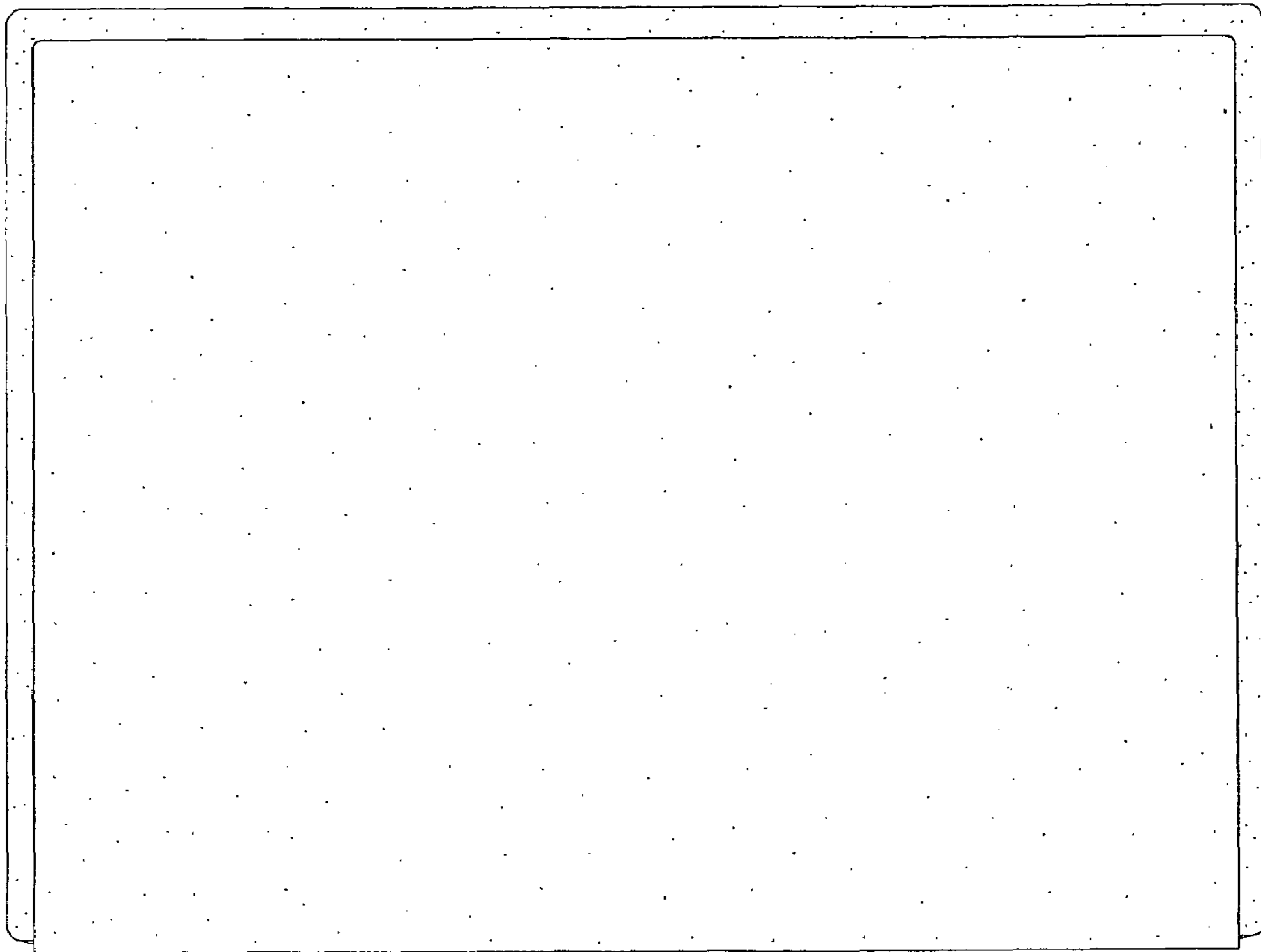


Fig. 5

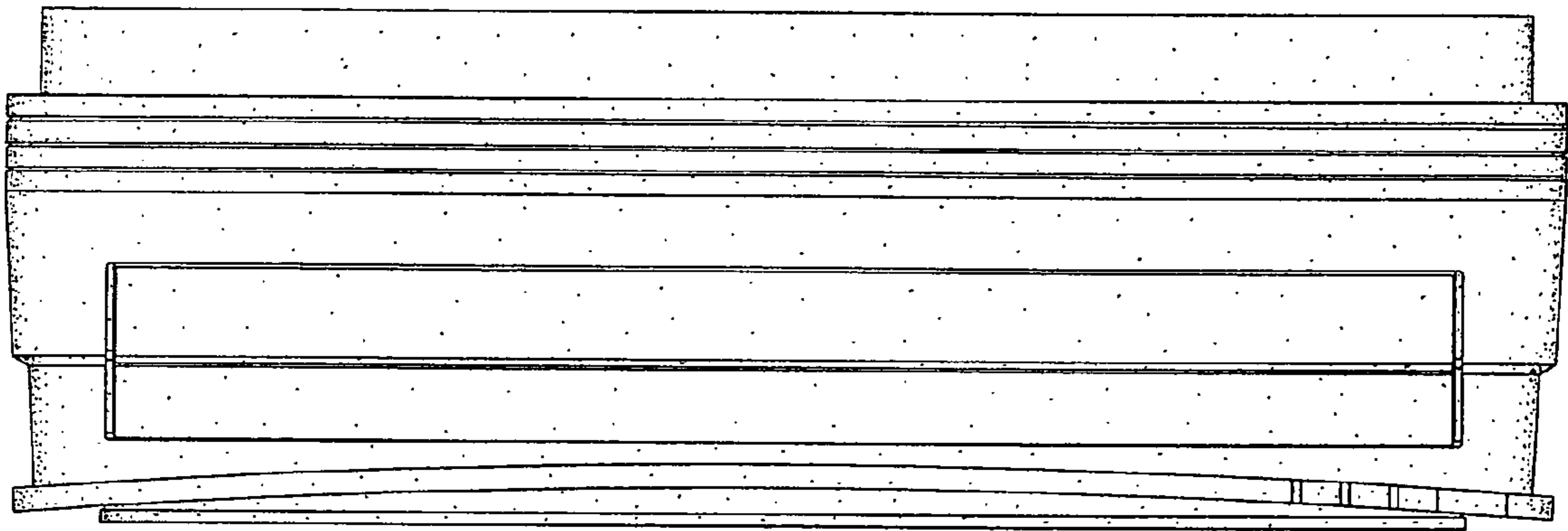


Fig. 6

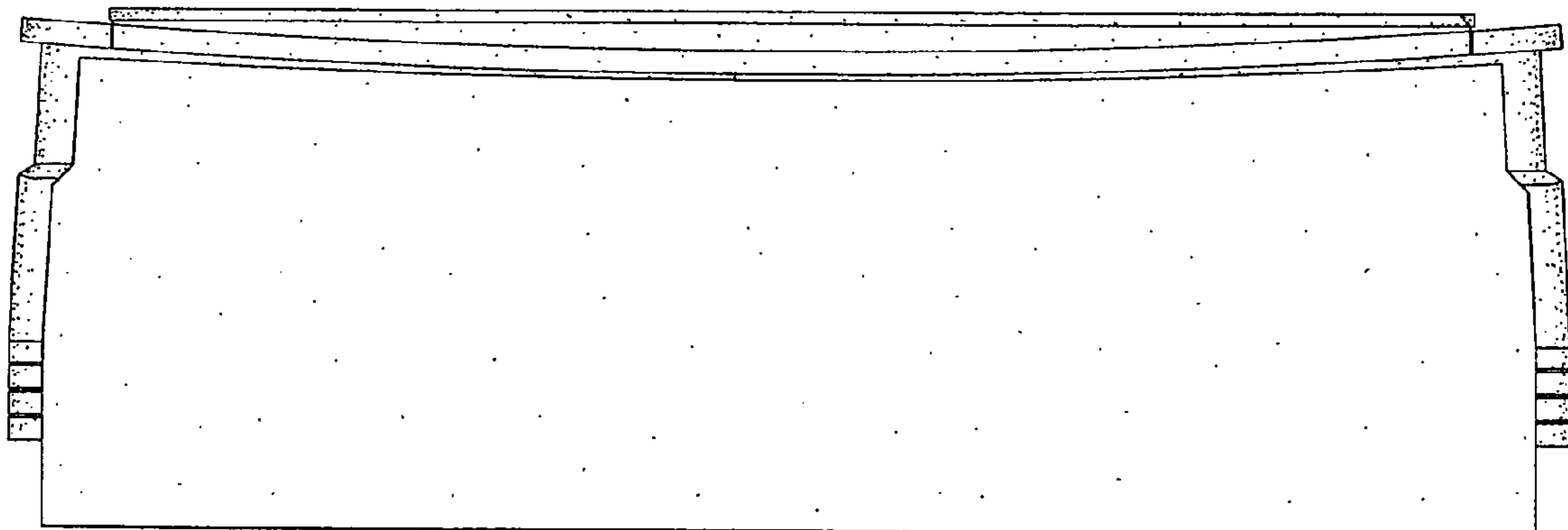


Fig. 7

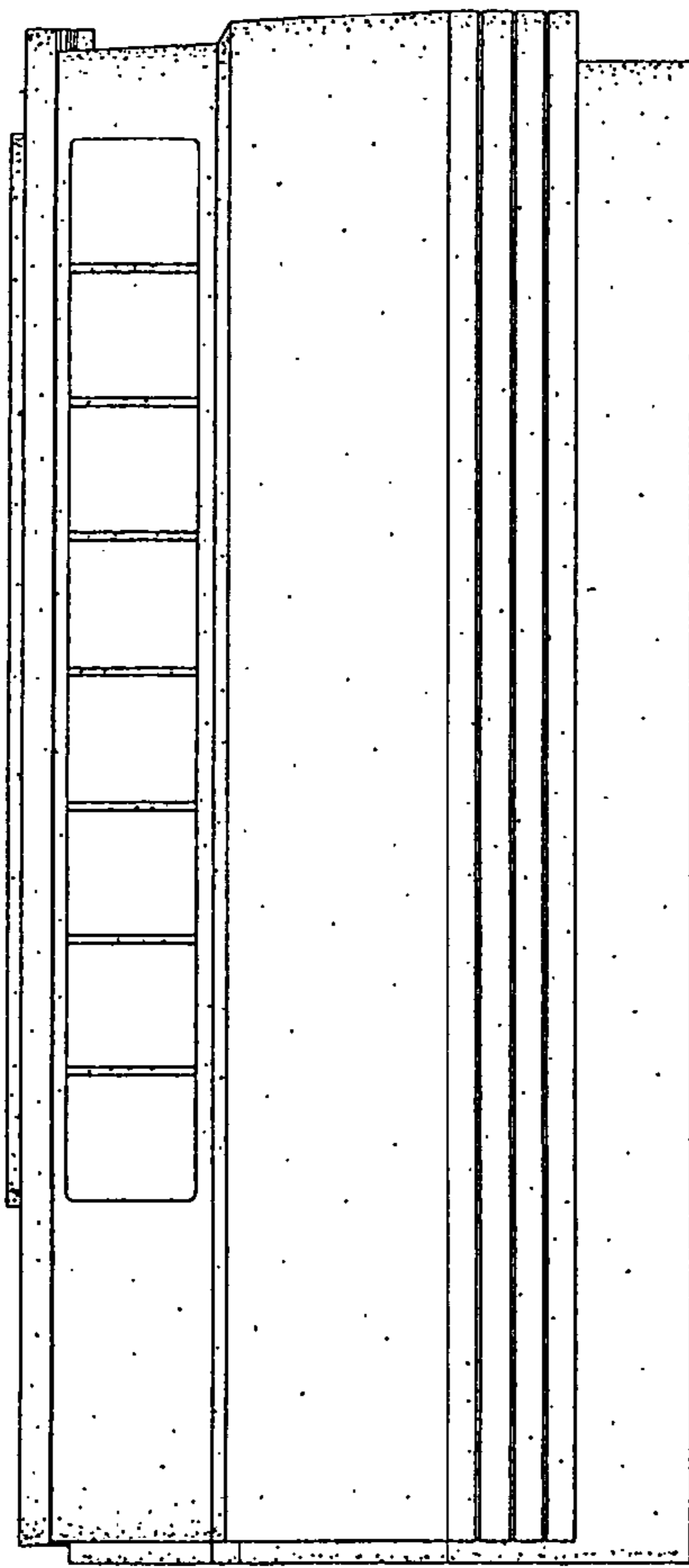


Fig. 8

