



US00D591408S

(12) **United States Design Patent**
Sato et al.

(10) **Patent No.:** **US D591,408 S**
(45) **Date of Patent:** **** Apr. 28, 2009**

(54) **PORTABLE AND FOLDABLE TOILET**

D470,230 S * 2/2003 Jones D23/299

(75) Inventors: **Masaru Sato**, Fukuoka (JP); **Kohei Mataga**, Fukuoka (JP); **Yasuhiro Kishimoto**, Dazaifu (JP)

* cited by examiner

Primary Examiner—Robert A Delehanty
(74) *Attorney, Agent, or Firm*—Jordan and Hamburg LLP

(73) Assignee: **Kyushu University, National University Corporation**, Fukuoka-shi (JP)

(57) **CLAIM**

The ornamental design for a portable and foldable toilet, as shown and described.

(**) Term: **14 Years**

(21) Appl. No.: **29/272,650**

(22) Filed: **Feb. 14, 2007**

(30) **Foreign Application Priority Data**

Aug. 14, 2006 (JP) 2006-021683

(51) **LOC (9) Cl.** **23-02**

(52) **U.S. Cl.** **D23/299**

(58) **Field of Classification Search** D23/273–274,
D23/295–299, 303, 309; 4/663–664, 300,
4/312, 329, 348, 352–353

See application file for complete search history.

(56) **References Cited**

U.S. PATENT DOCUMENTS

4,631,061 A * 12/1986 Martin 4/301
4,799,272 A * 1/1989 Horng 4/312
D425,607 S * 5/2000 Pham D23/296
6,341,386 B1 * 1/2002 Phillips et al. 4/484

DESCRIPTION

FIG. 1 is a perspective view of a portable and foldable toilet showing our new design;

FIG. 2 is a top plan view thereof;

FIG. 3 is a bottom plan view thereof;

FIG. 4 is a front elevation view thereof;

FIG. 5 is a rear elevation view thereof;

FIG. 6 is a right side elevation view thereof

FIG. 7 is a left side elevation view thereof;

FIG. 8 is a perspective view thereof in which the toilet seat is detached and the toilet is folded; and,

FIG. 9 is a perspective view thereof with a toilet roll holder thereof partly unfolded.

The broken line showing of the internal structure is for purposes of illustrating interior mechanical features and forms no part of the claimed design.

1 Claim, 5 Drawing Sheets

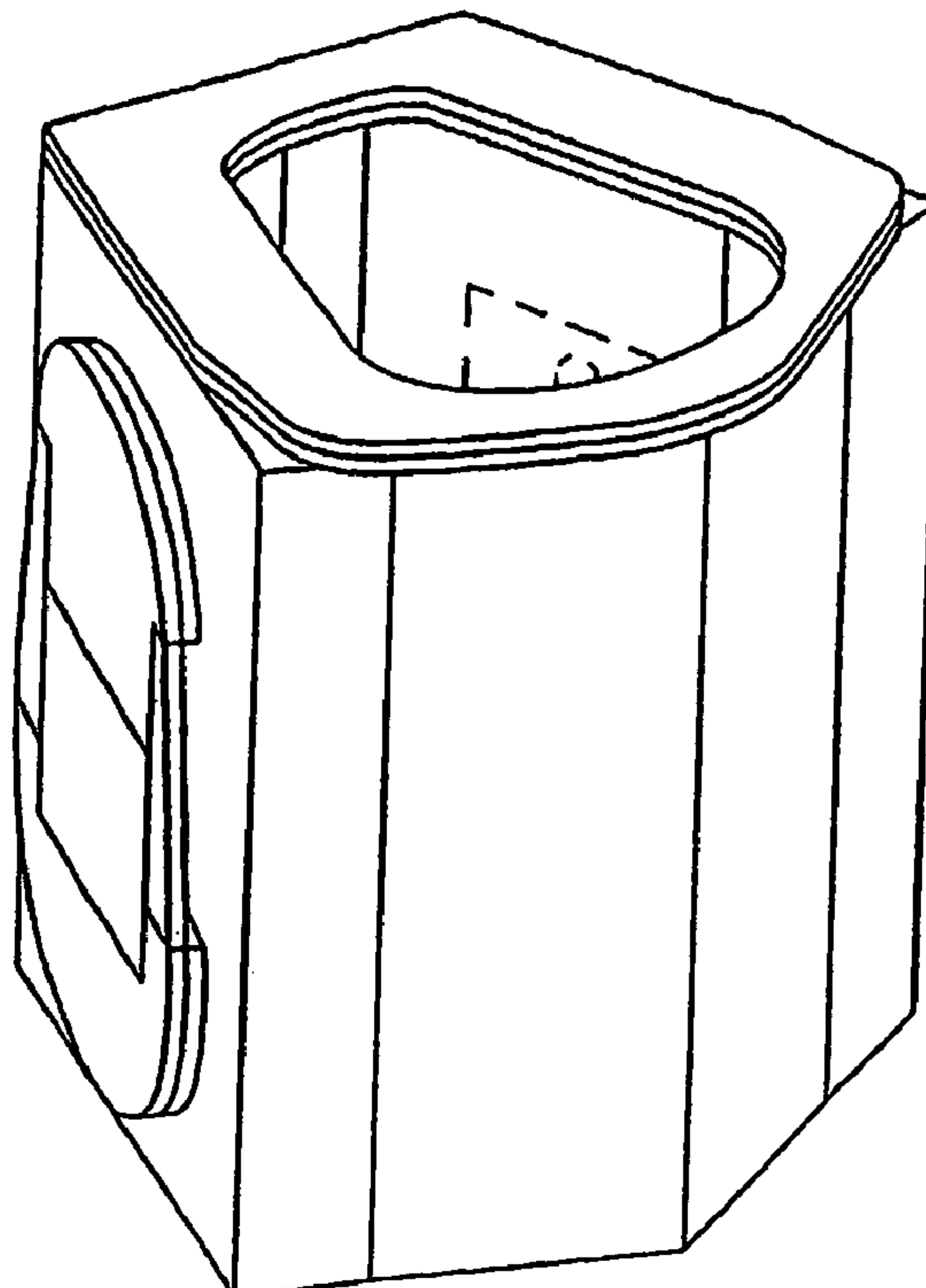


Fig. 1

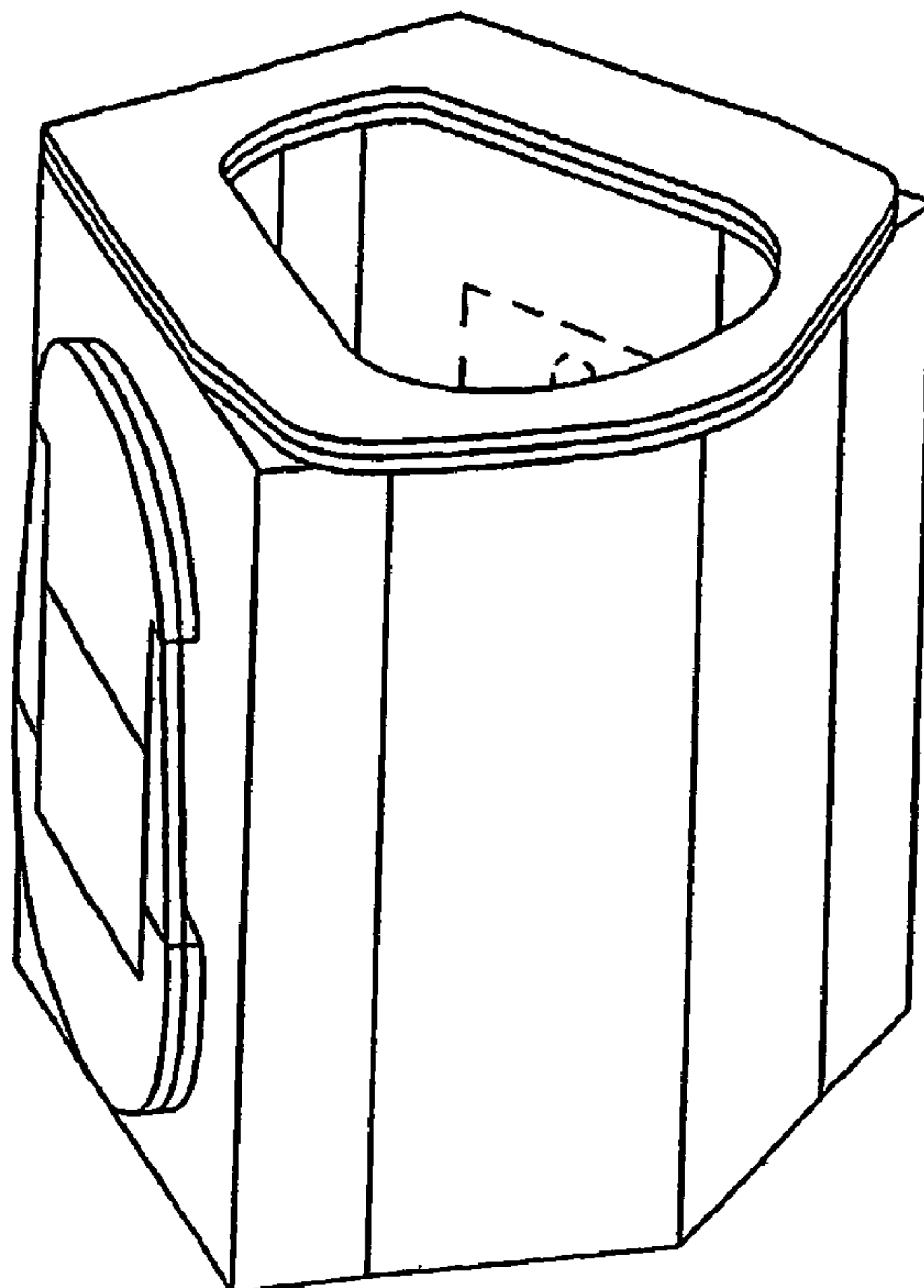


Fig. 2

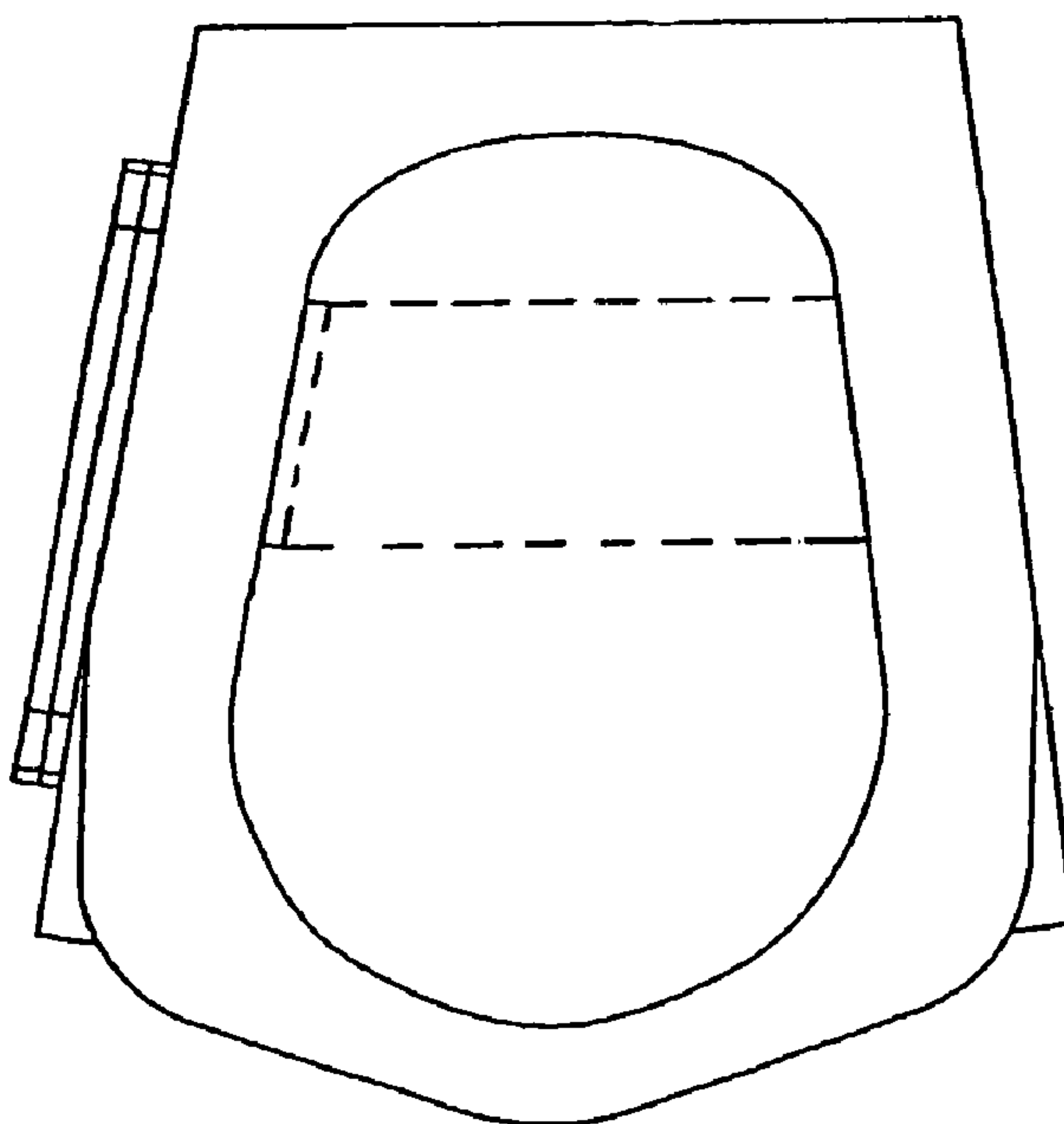


Fig. 3

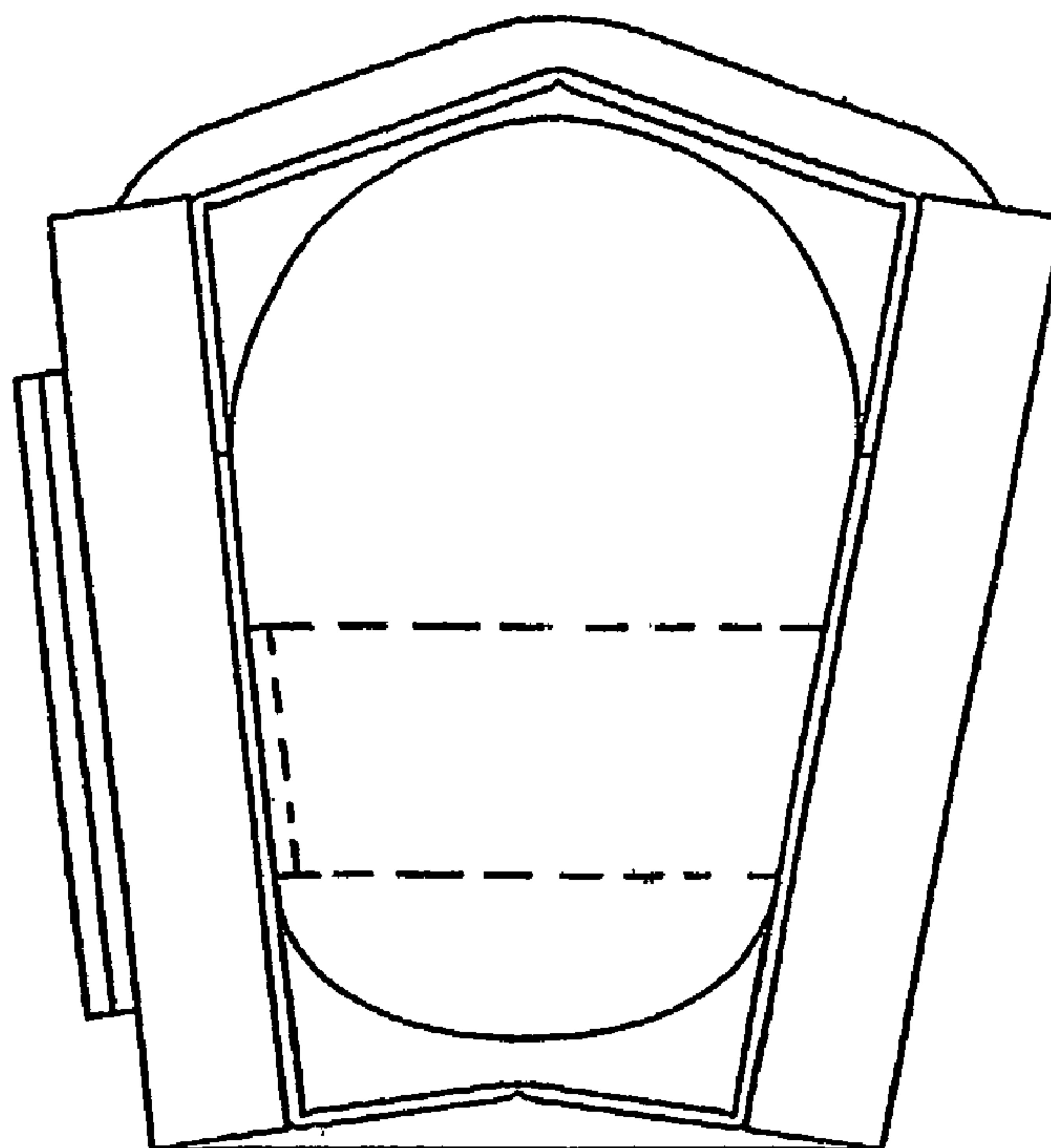


Fig. 4

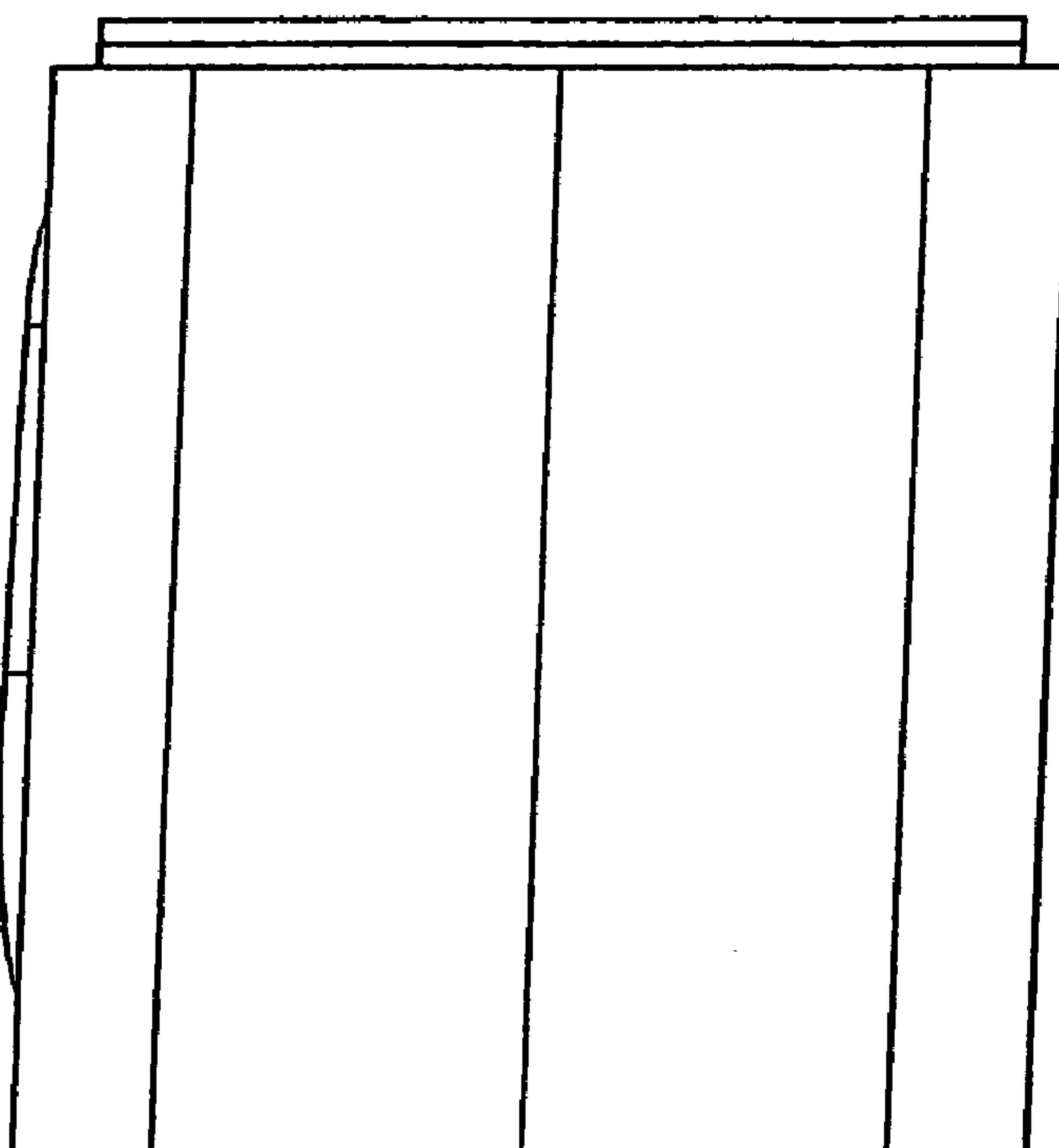


Fig. 5

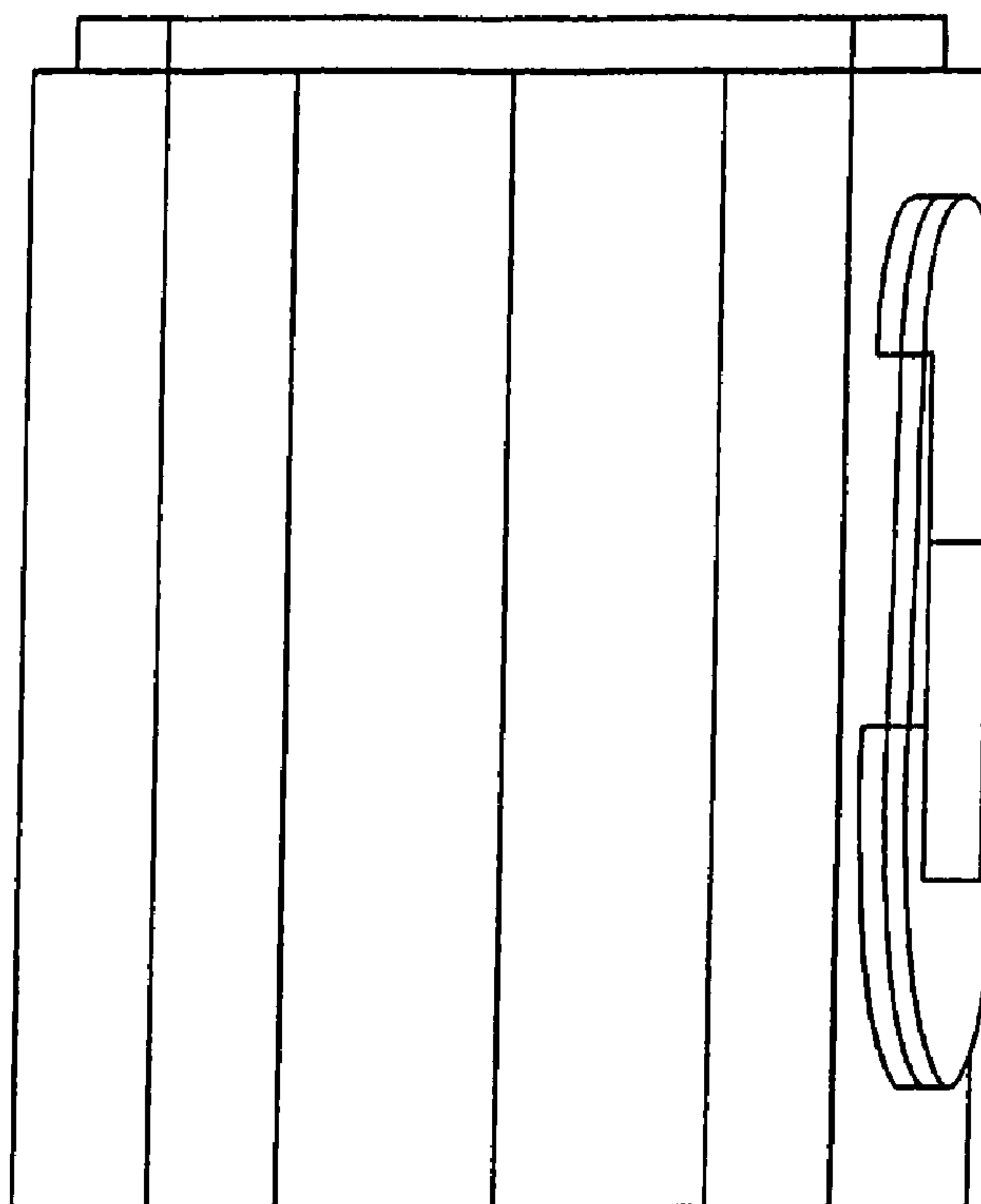


Fig. 6

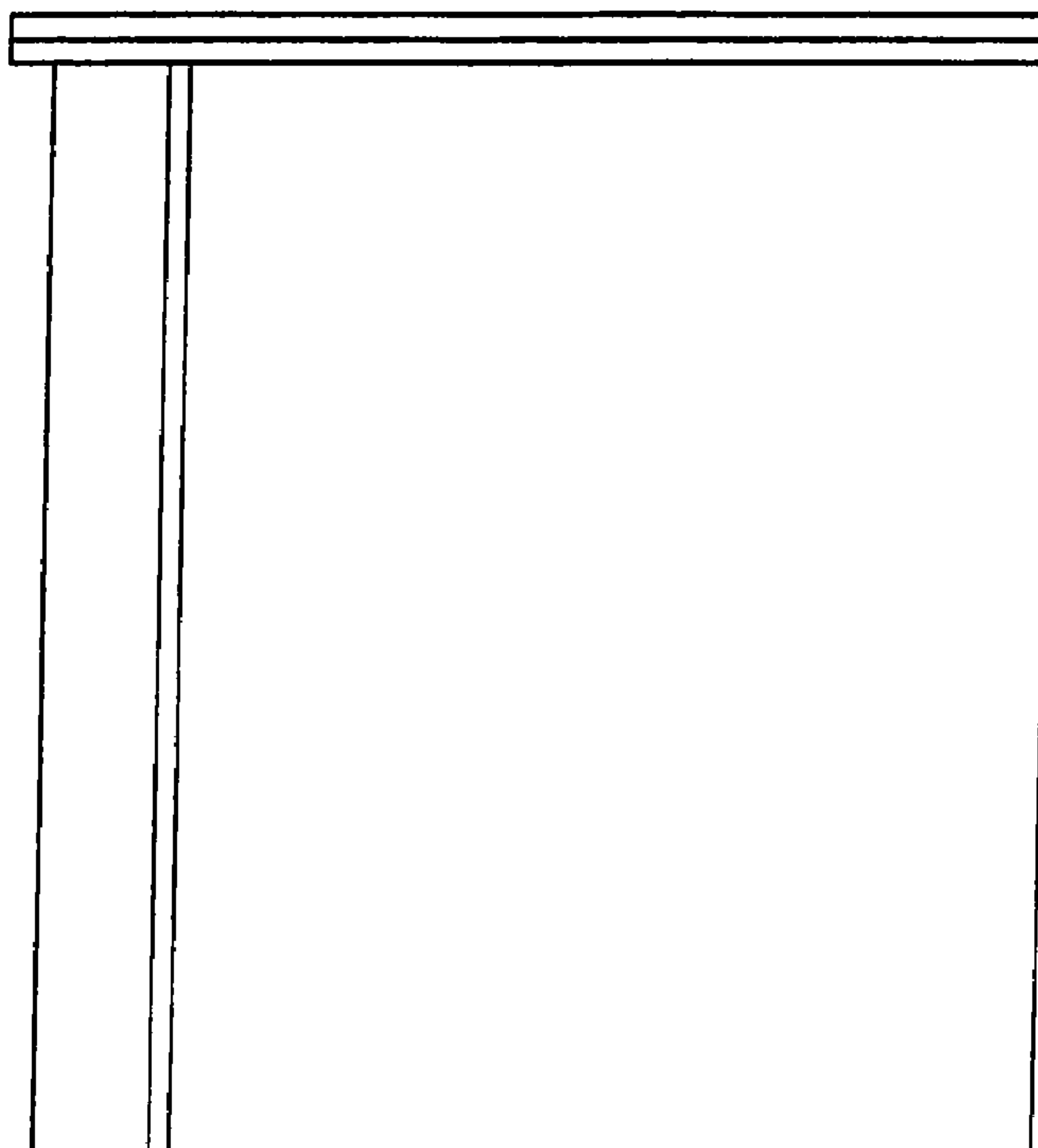


Fig. 7

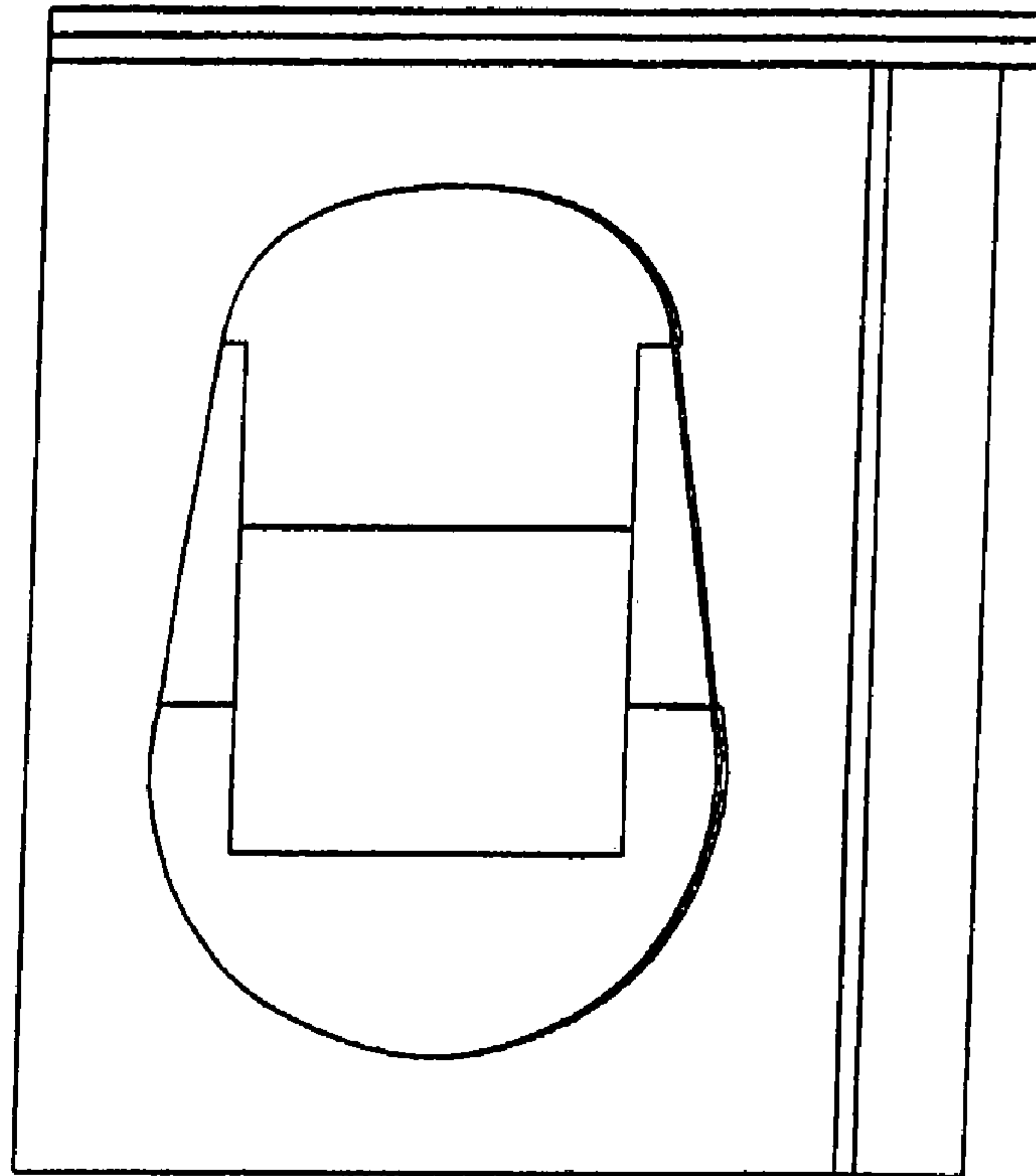


Fig. 8

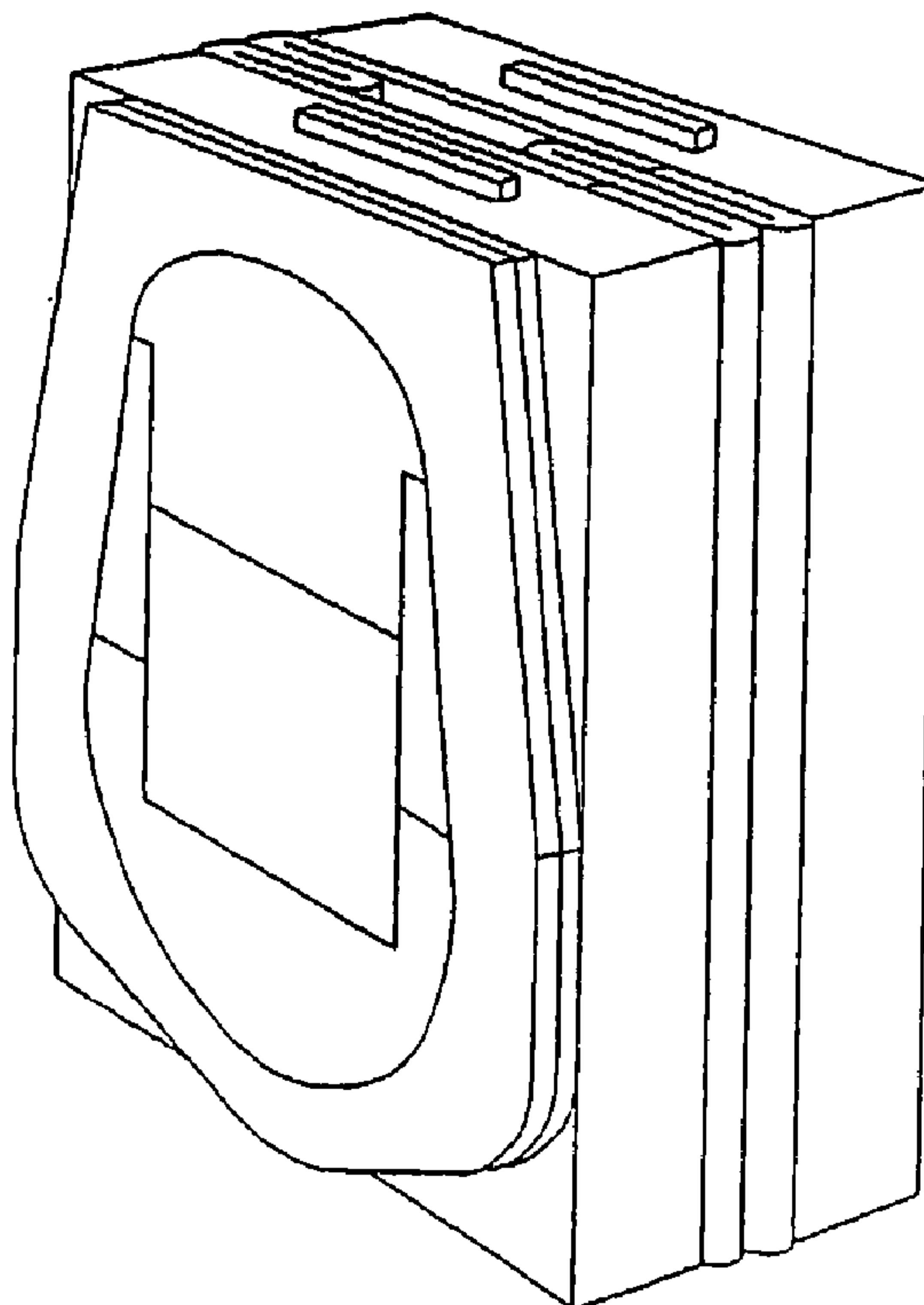


Fig. 9

