



US00D591407S

(12) **United States Design Patent**
Youssef et al.

(10) **Patent No.:** **US D591,407 S**
(45) **Date of Patent:** **** Apr. 28, 2009**

(54) **PIPE HAVING A SPIGOT END AND A BELL END**

(75) Inventors: **Younes Youssef**, Montreal (CA);
Pierre-Alexandre Hamel, St. Marie de Beauce (CA)

(73) Assignee: **IPEX Inc.**, Mississauga, Ontario (CA)

(**) Term: **14 Years**

(21) Appl. No.: **29/309,210**

(22) Filed: **Jul. 8, 2008**

(51) **LOC (9) Cl.** **23-01**

(52) **U.S. Cl.** **D23/266**

(58) **Field of Classification Search** D23/259–269;
285/91–93, 55, 374, 337, 110, 104; 277/625–627,
277/615–617, 602–609

See application file for complete search history.

(56) **References Cited**

U.S. PATENT DOCUMENTS

23,811 A	4/1859	Quinn	
25,283 A	8/1859	Smith	
51,910 A	1/1866	Barbarour	
RE3,459 E	5/1869	Isbell	
227,412 A	5/1880	Camp	
1,186,376 A	6/1916	Chapman	
1,446,789 A	2/1923	Dodd	
2,236,802 A *	4/1941	McDonald	138/113
2,383,582 A *	8/1945	Barbehenn	156/190
2,465,708 A	3/1949	Chapin	
2,642,312 A	6/1953	Shine	
2,818,084 A *	12/1957	Tennison, Jr.	285/5
2,819,115 A	1/1958	Arnold	
3,498,645 A	3/1970	Kowalewski	
3,781,040 A	12/1973	Lasko	

4,348,956 A	9/1982	Schmidlin	
4,645,247 A *	2/1987	Ward	285/382.1
4,826,028 A *	5/1989	Vassallo et al.	277/615
4,830,408 A	5/1989	Reimert	
4,907,828 A	3/1990	Chang	
5,168,943 A	12/1992	Falgout, Sr.	
5,431,455 A	7/1995	Seely	
5,716,078 A *	2/1998	Powers	285/110
6,199,914 B1	3/2001	Duhn	
6,447,028 B1	9/2002	LaMarca	
2002/0070545 A1	6/2002	Meek	
2003/0047946 A1	3/2003	Ohanesian	
2005/0257433 A1 *	11/2005	Dussault et al.	52/12
2006/0273588 A1	12/2006	Scartozzi	
2008/0282464 A1 *	11/2008	Bauer	4/610

FOREIGN PATENT DOCUMENTS

CH	672361	11/1989
JP	06229492	8/1994

* cited by examiner

Primary Examiner—T. Chase Nelson
Assistant Examiner—Eric L Goodman

(57) **CLAIM**

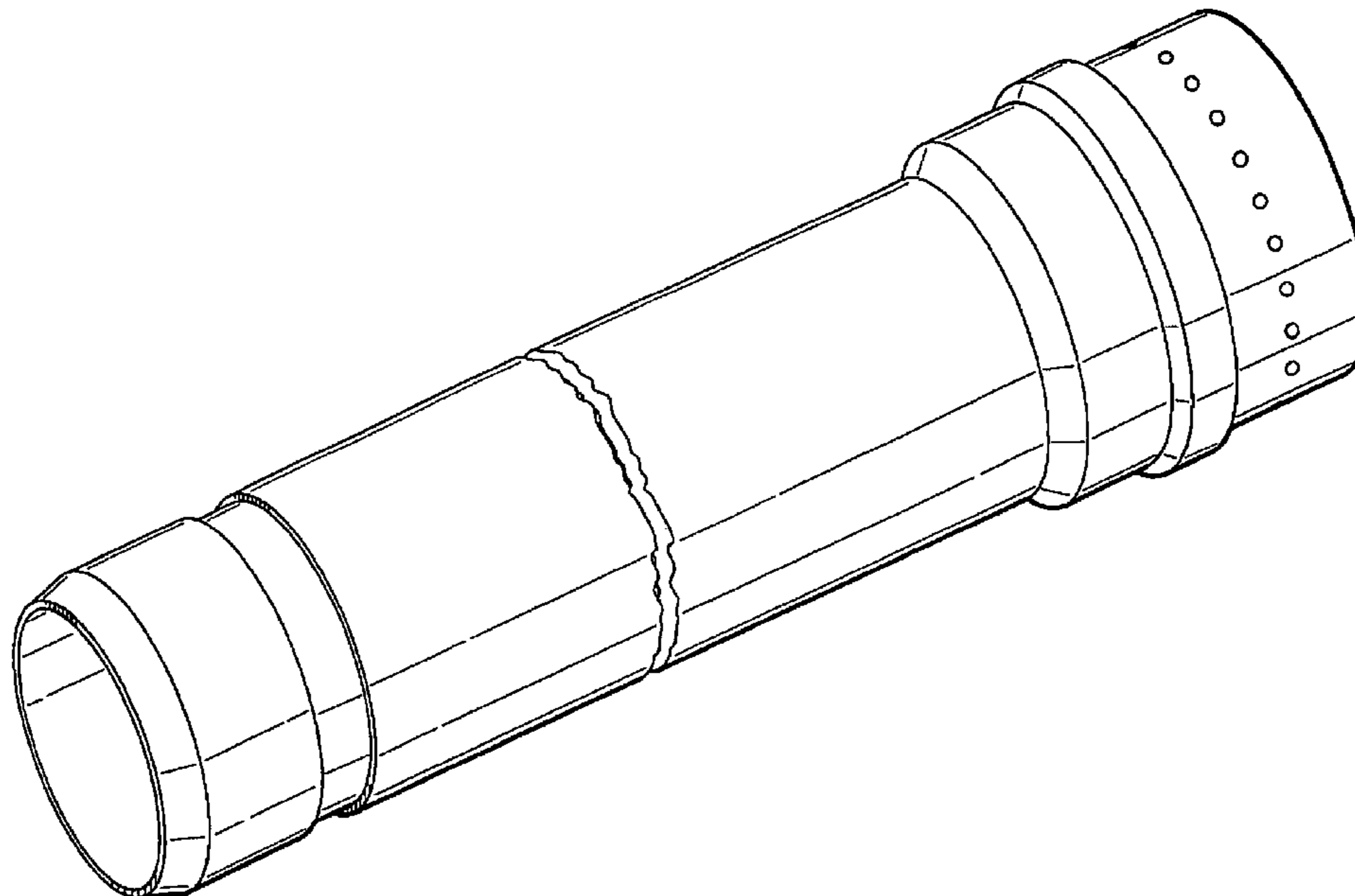
We claim the ornamental design for a pipe having a spigot end and a bell end, as shown and described.

DESCRIPTION

FIG. 1 is a front perspective view showing our new design; FIG. 2 is a side elevational view of the design; FIG. 3 is a front elevational view thereof; and, FIG. 4 is a rear elevational view thereof.

The design is shown broken away in order to indicate that a specific length of pipe forms no part of the claimed design.

1 Claim, 2 Drawing Sheets



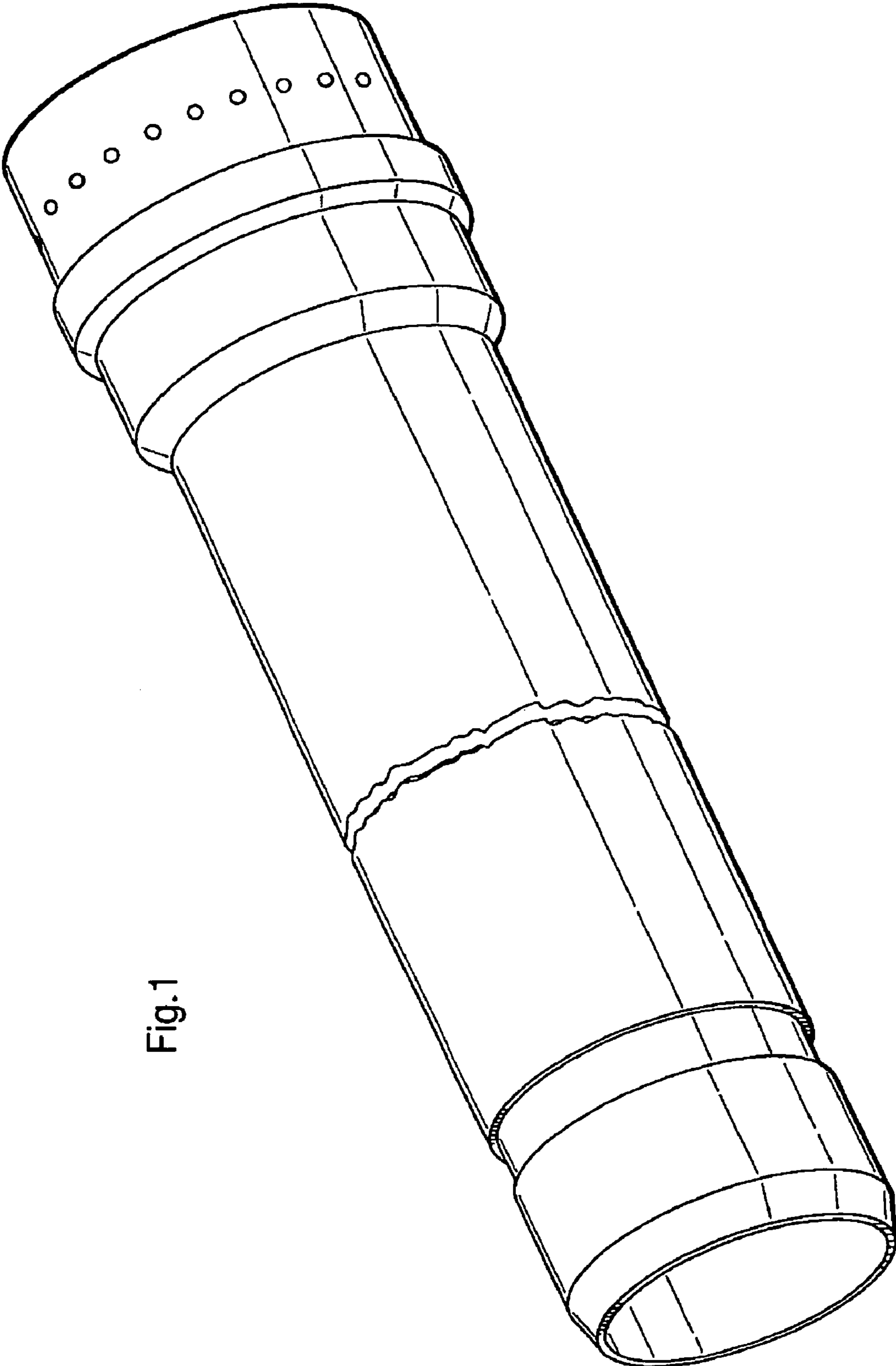


Fig.1

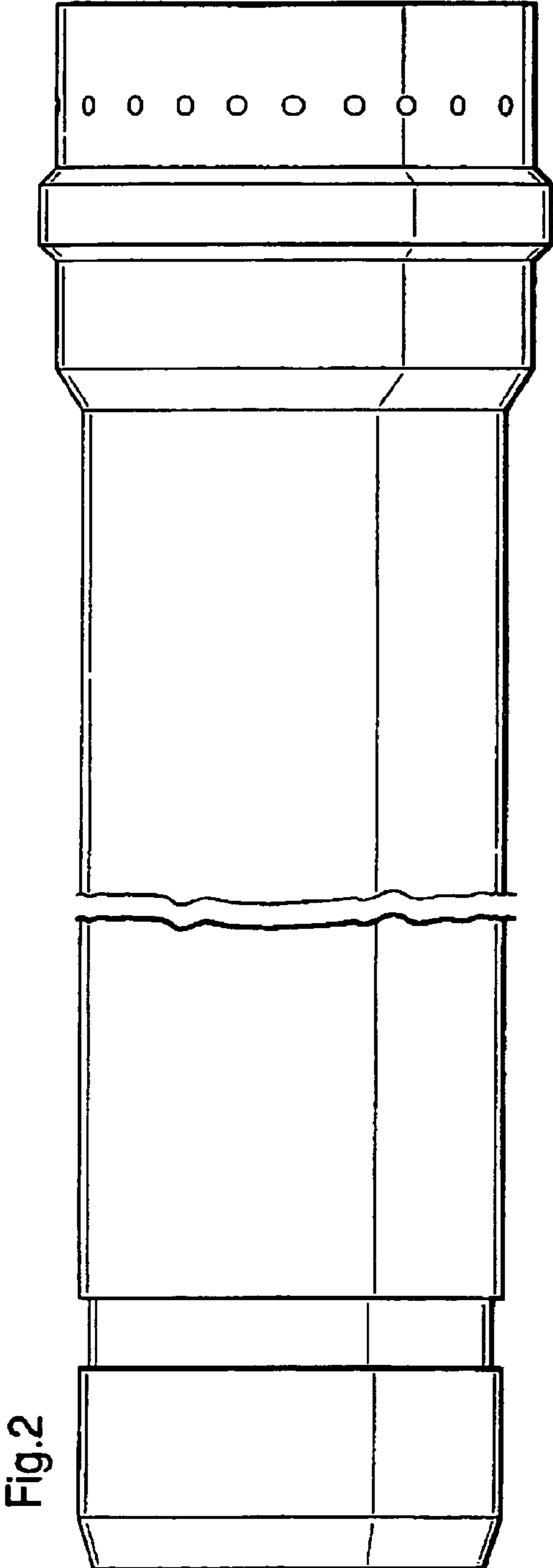


Fig.2

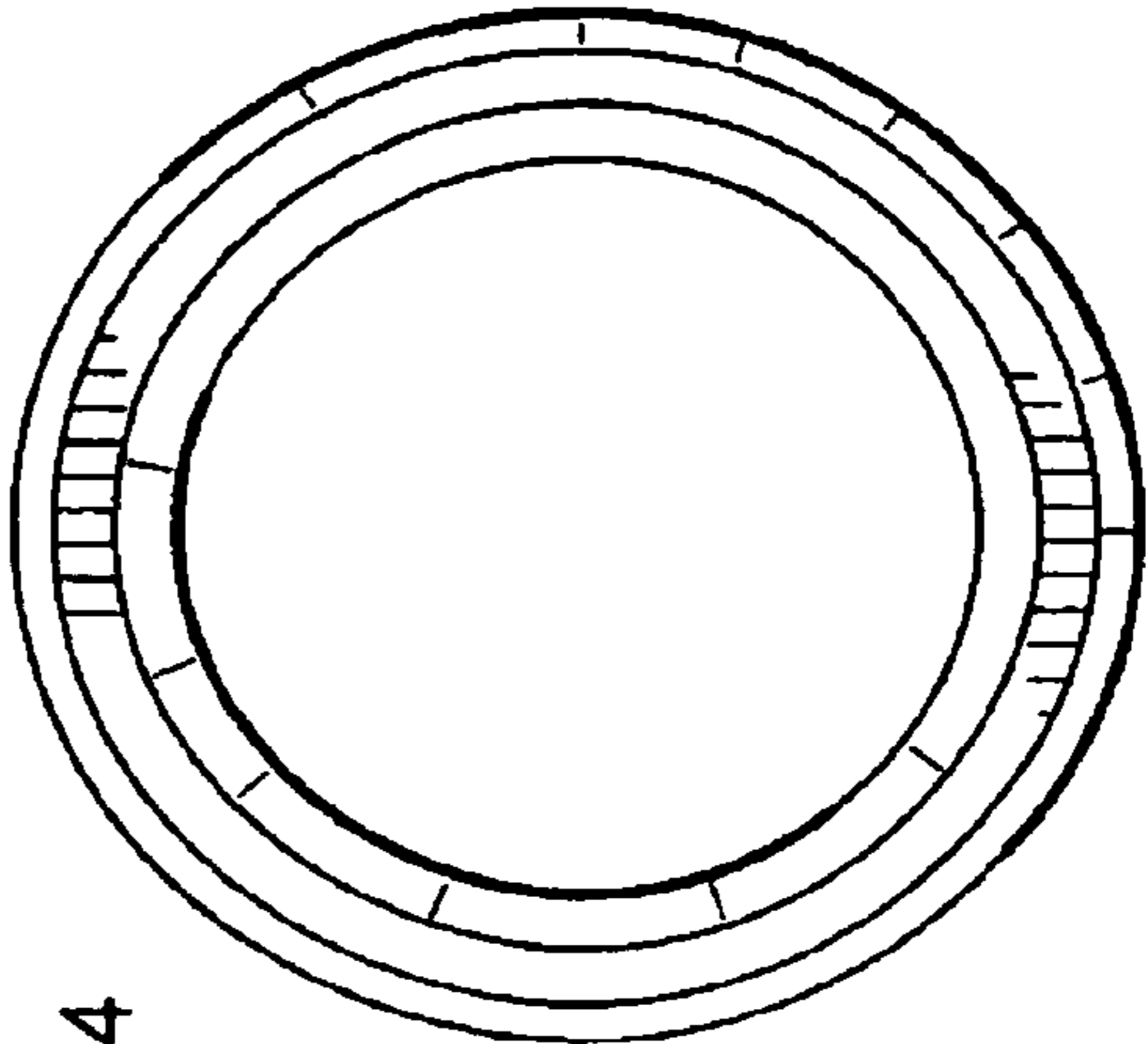


Fig.4

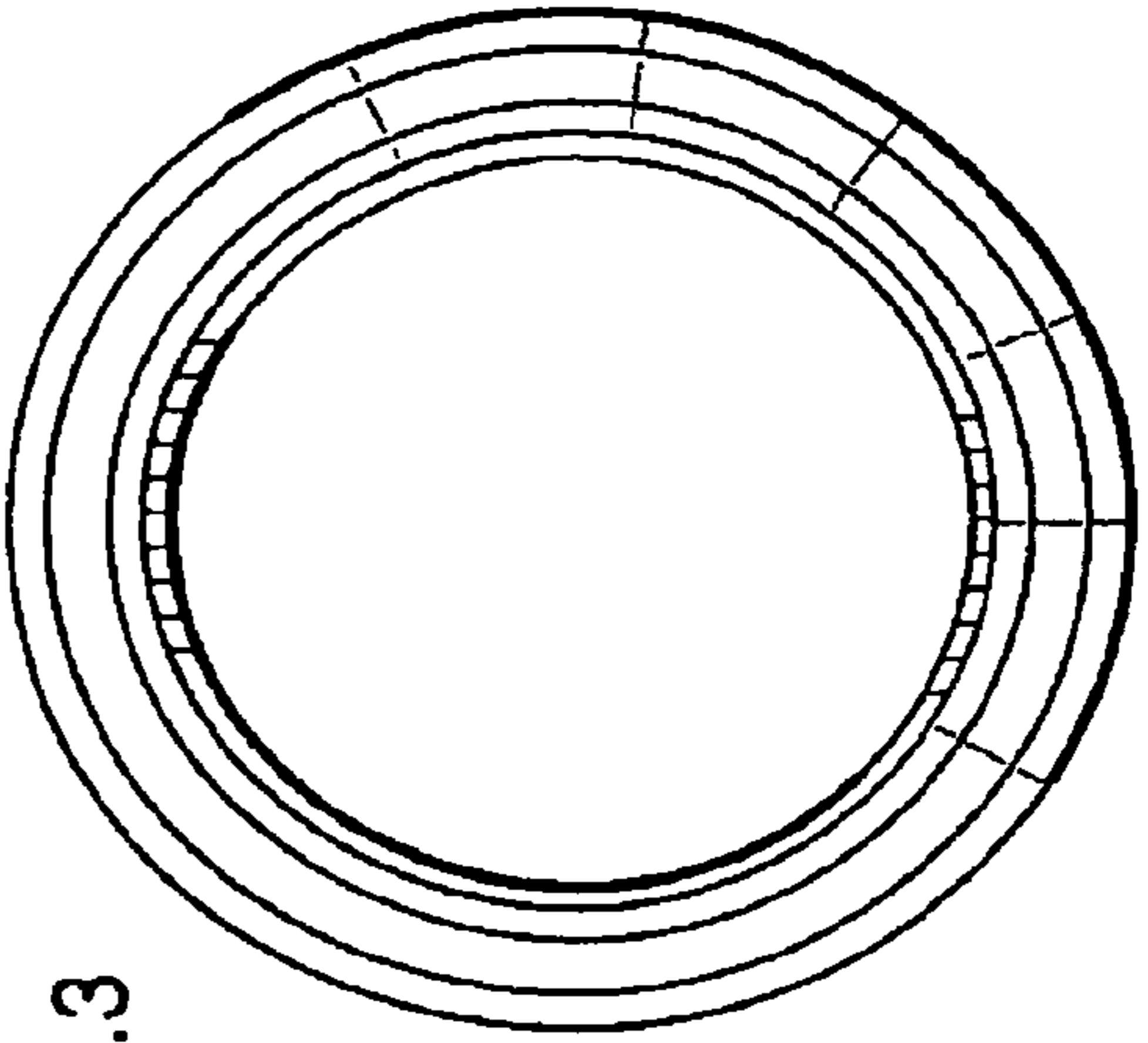


Fig.3