



US00D591406S

(12) **United States Design Patent**
Crain

(10) **Patent No.:** **US D591,406 S**
(45) **Date of Patent:** **** Apr. 28, 2009**

(54) **DRAIN CONDUIT**

(76) Inventor: **John F. Crain**, 749 Grandpa's La., St. Charles, MO (US) 63366

(**) Term: **14 Years**

(21) Appl. No.: **29/263,863**

(22) Filed: **Jul. 31, 2006**

(51) **LOC (9) Cl.** **23-01**

(52) **U.S. Cl.** **D23/266**

(58) **Field of Classification Search** D23/213,
D23/249, 257, 259, 260-269; 239/428.5;
261/DIG. 22; D8/396; 285/1, 112, 179,
285/340, 367, 373, 404, 53, 915; 4/675-678;
403/291, 300; 411/5, 10; 137/801
See application file for complete search history.

(56) **References Cited**

U.S. PATENT DOCUMENTS

2,703,002	A	3/1955	Suskind	
3,283,460	A	11/1966	Patrick	
3,287,866	A	11/1966	Bevilacqua	
D222,643	S *	11/1971	Martin D23/266
4,185,429	A	1/1980	Mendola	
4,333,281	A	6/1982	Scarfone	
4,745,716	A	5/1988	Kuypers	
D296,355	S *	6/1988	Kanao D23/266
D296,356	S *	6/1988	Kanao D23/266
4,869,032	A	9/1989	Geske	
5,100,258	A	3/1992	VanWagoner	
D364,918	S *	12/1995	Hutchens D23/262
5,501,044	A	3/1996	Janesky	

5,586,416	A	12/1996	Hess, III et al.	
5,694,723	A	12/1997	Parker	
5,845,456	A	12/1998	Read	
6,089,779	A *	7/2000	Lancelot, III 403/313
6,230,468	B1	5/2001	Klaus	
6,550,190	B2	4/2003	Ruiz et al.	
6,598,360	B1	7/2003	Pratt	

* cited by examiner

Primary Examiner—Louis S Zarfes

Assistant Examiner—Michael A Pratt

(74) *Attorney, Agent, or Firm*—Harness, Dickey & Pierce, P.L.C.

(57) **CLAIM**

The ornamental design for corrugated drain conduit, as shown and described.

DESCRIPTION

FIG. 1 is a front elevation view of a corrugated drain conduit showing my new design;

FIG. 2. is a right side elevation view, the opposite side being a mirror image thereof;

FIG. 3 is a top elevation view thereof; and,

FIG. 4 is a front perspective view thereof.

The views of the corrugated drain conduit not shown form no part of the claimed design. The dashed lines represent environmental elements only and form no part of the claimed design. The break lines in FIGS. 1-4 indicate that no specific length is being claimed.

1 Claim, 2 Drawing Sheets

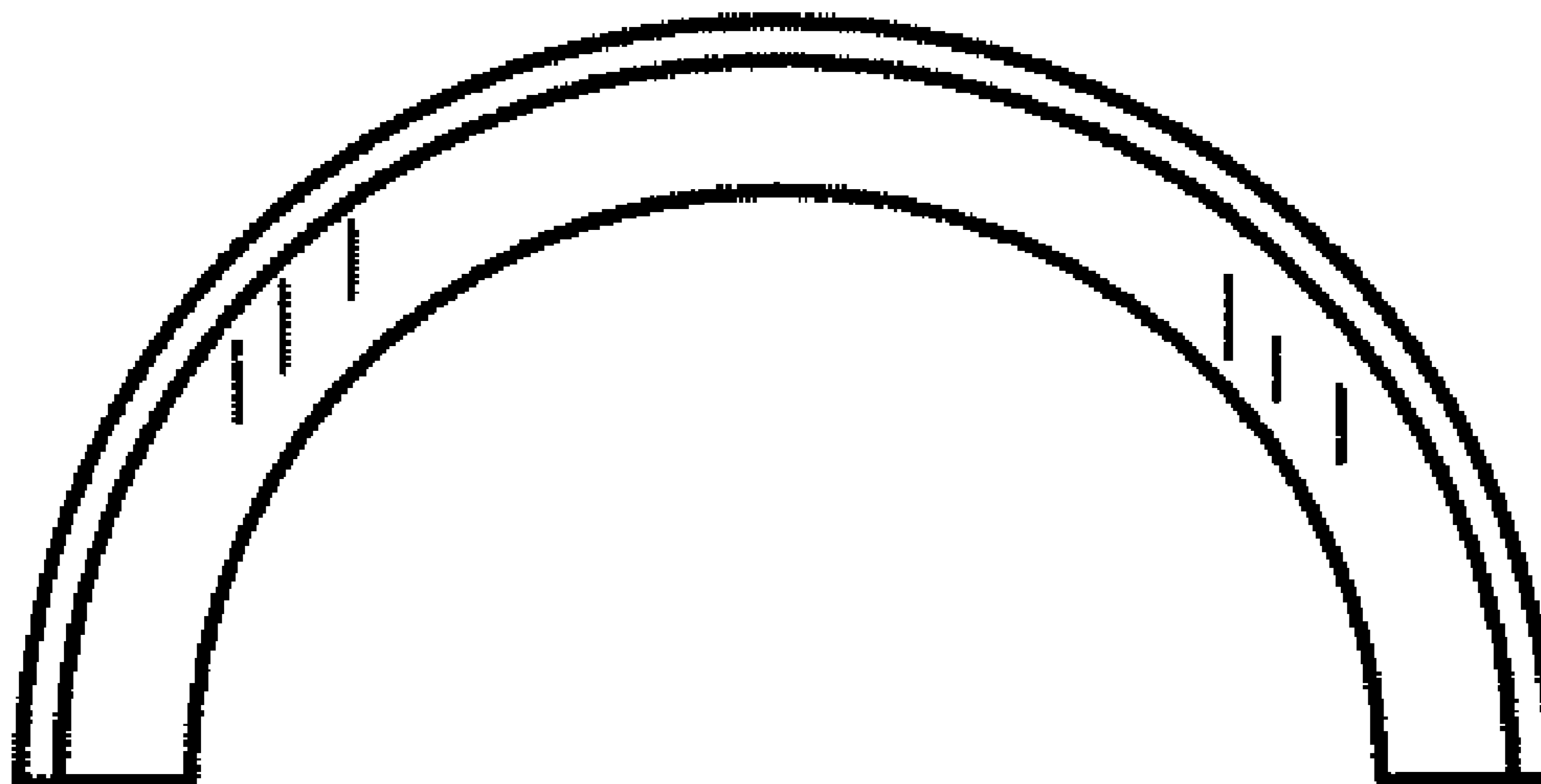




Fig. 1

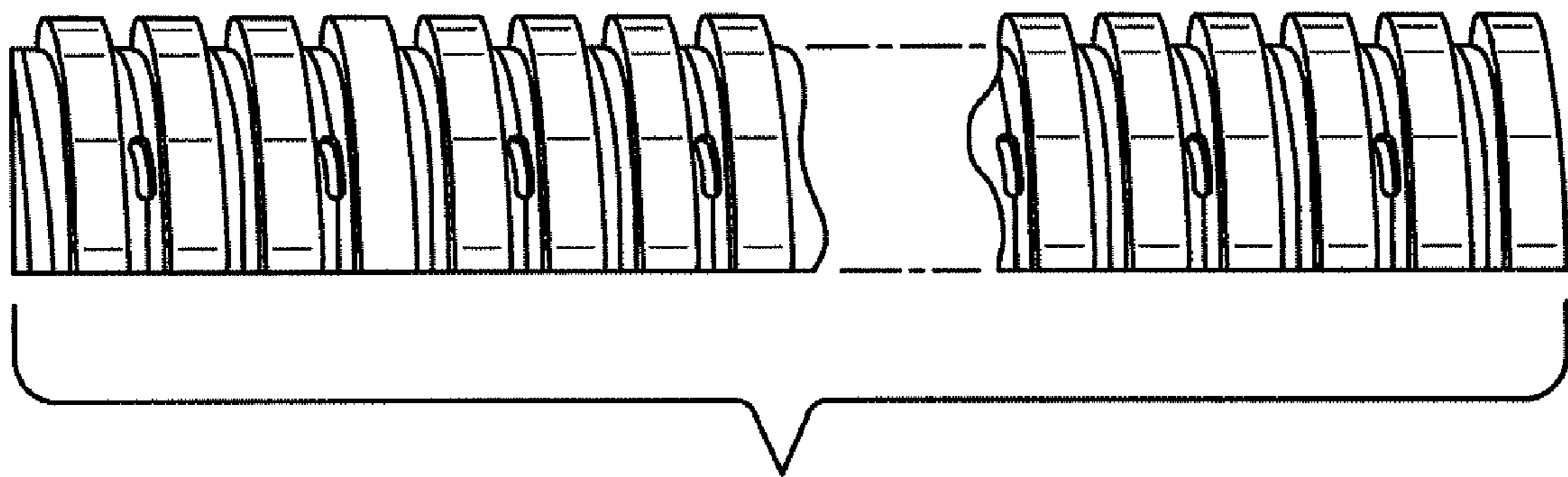


Fig. 2

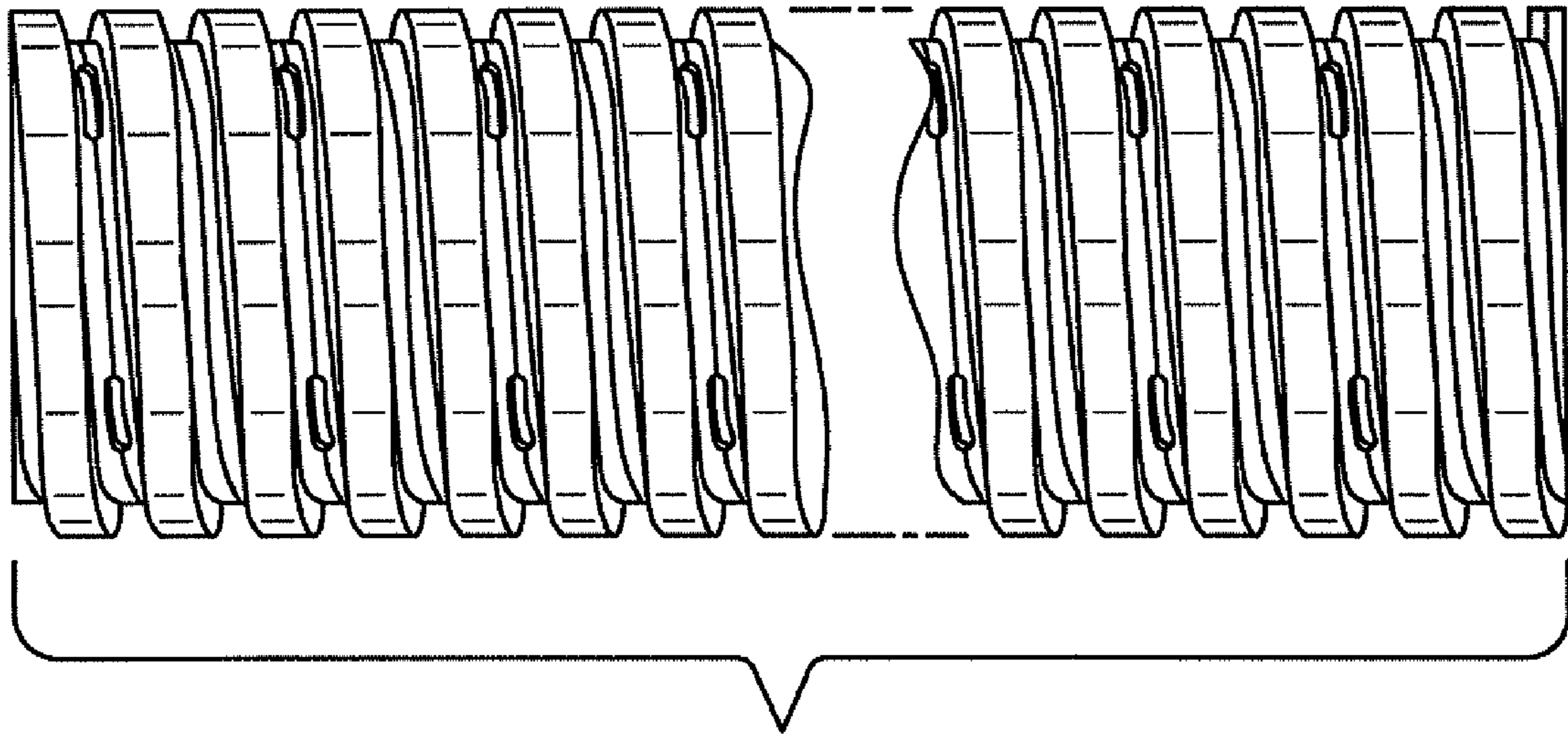


Fig. 3

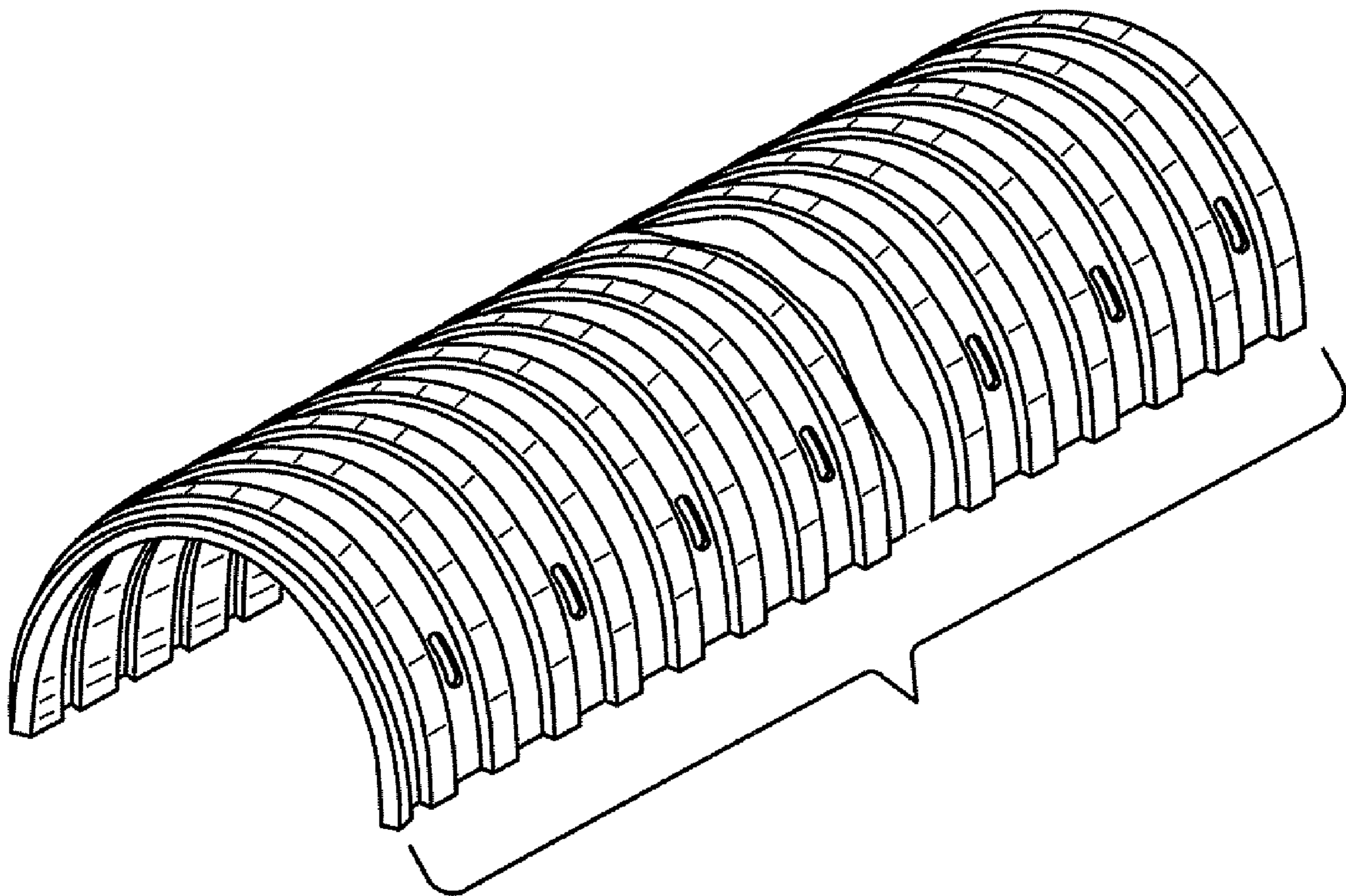


Fig. 4