



US00D591404S

(12) **United States Design Patent**  
**Rubin et al.**

(10) **Patent No.:** **US D591,404 S**

(45) **Date of Patent:** **\*\* Apr. 28, 2009**

(54) **PLUMBING FITTING**

(75) Inventors: **Leila M. Rubin**, Sheboygan, WI (US);  
**Herbert V. Kohler, Jr.**, Kohler, WI (US)

(73) Assignee: **Kohler Co.**, Kohler, WI (US)

(\*\*) Term: **14 Years**

(21) Appl. No.: **29/318,408**

(22) Filed: **May 20, 2008**

(51) **LOC (9) Cl.** ..... **23-01**

(52) **U.S. Cl.** ..... **D23/255; D23/238**

(58) **Field of Classification Search** ..... D23/200,  
D23/238-257; 4/675-678; 137/801  
See application file for complete search history.

(56) **References Cited**

**U.S. PATENT DOCUMENTS**

D367,699	S	*	3/1996	Hill et al.	.....	D23/238
D388,158	S	*	12/1997	Doughty et al.	.....	D23/238
D411,875	S	*	7/1999	Lord	.....	D23/255
D413,161	S	*	8/1999	Lord	.....	D23/243
D416,078	S	*	11/1999	Lord	.....	D23/238
D418,206	S	*	12/1999	Lord	.....	D23/255
D418,586	S	*	1/2000	Lord	.....	D23/255
D419,651	S	*	1/2000	Lord	.....	D23/255
D420,725	S	*	2/2000	Lord	.....	D23/255
D421,790	S	*	3/2000	Lord	.....	D23/255
D443,337	S	*	6/2001	Mark et al.	.....	D23/238
D467,995	S	*	12/2002	Lord	.....	D23/238
D530,785	S	*	10/2006	Rexach et al.	.....	D23/238

**OTHER PUBLICATIONS**

Danze. Melrose Kitchen Faucet Stainless Street 16" Spout Height. Model No. D457015SS (former Model No. 4570-15-SS). HomeCenter.com online catalog. Copyright © 2006, 2008 HomeCenter.com.

Blanco-Merkur. Merkur Plus Series. Model No. 157073PST. Amazon.com online catalog. Copyright 1996-2008 Amazon.com, Inc. or it's affiliates.

Kohler Co. "Clairette Kitchen Faucet Brushed Nickel". Model No. 692-BN. HomeCenter.com online catalog. Copyright © 2006, 2008 HomeCenter.com.

Kohler Co. "Evoke Single-Control Pullout Kitchen Faucet". Model No. K-6331. Kohler Co. online catalog. Copyright 2008 Kohler Co.

\* cited by examiner

*Primary Examiner*—Robert A. Delehanty

*Assistant Examiner*—Mark Cavanna

(74) *Attorney, Agent, or Firm*—Quarles & Brady LLP

(57) **CLAIM**

The ornamental design for a plumbing fitting, as shown and described.

**DESCRIPTION**

In a preferred embodiment, the nature of this product is as a plumbing fitting in the form of a faucet with a movable spray head usable to wash various items and/or body parts, as well as a handle and a spray head therefor.

FIG. 1 is a right, top, front perspective view of a plumbing fitting embodying our new design;

FIG. 2 is a front elevational view thereof;

FIG. 3 is a right side elevational view thereof;

FIG. 4 is a left side elevational view thereof;

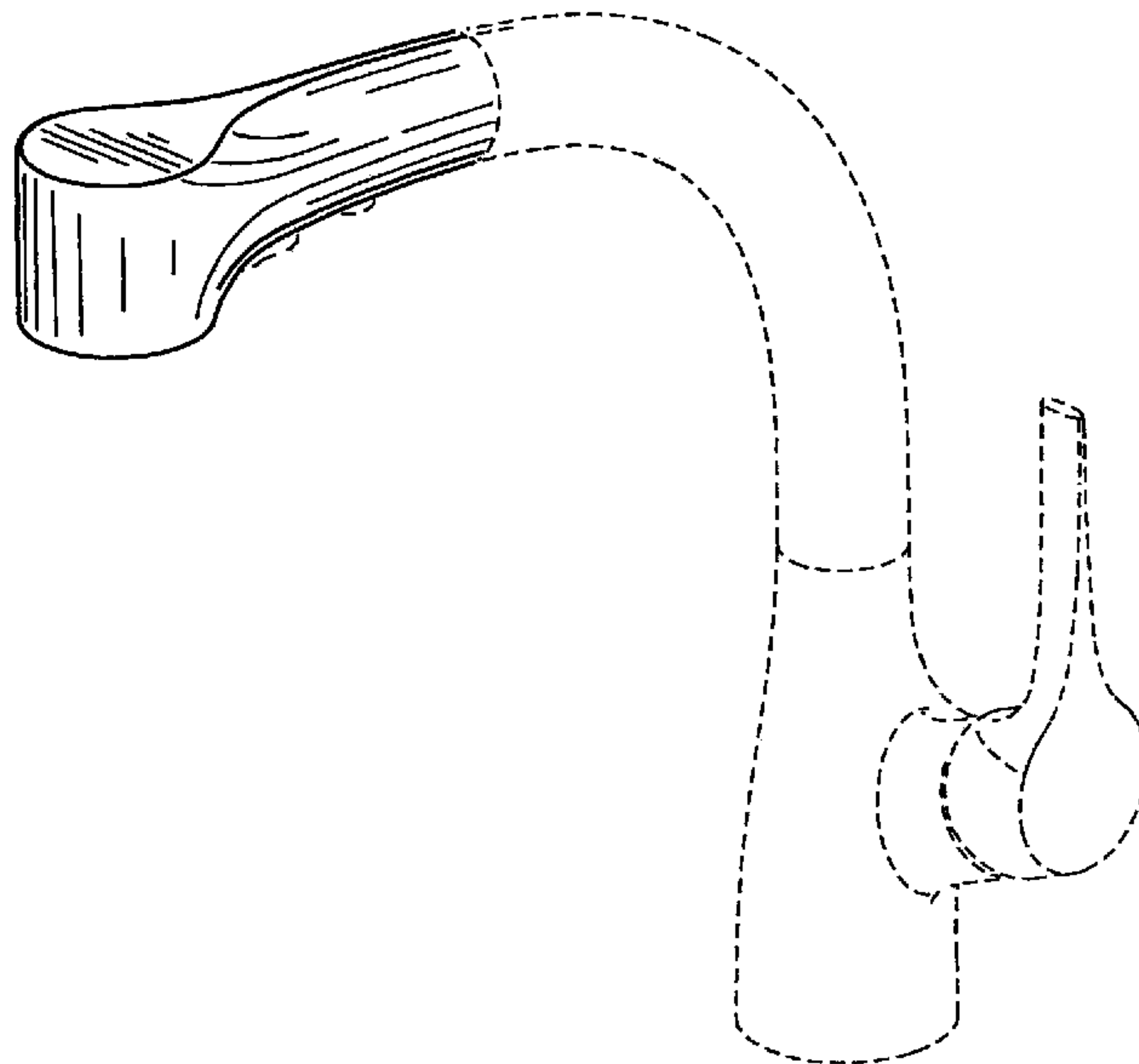
FIG. 5 is a rear elevational view thereof;

FIG. 6 is a top plan view thereof; and,

FIG. 7 is a bottom plan view thereof.

The broken lines are included for the purpose of illustrating portions of the plumbing fitting that forms no part of the claimed design.

**1 Claim, 5 Drawing Sheets**



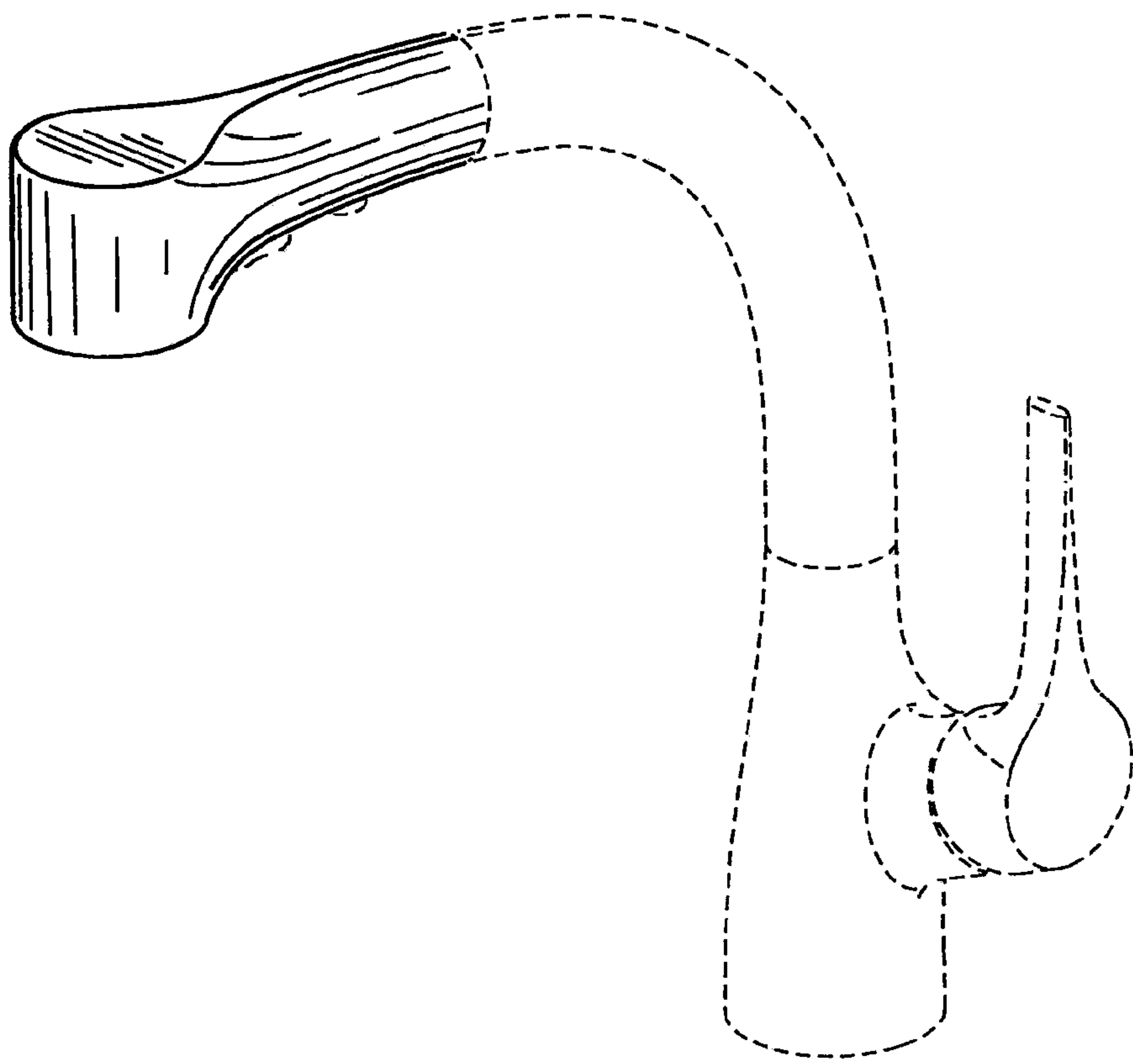


FIG. 1

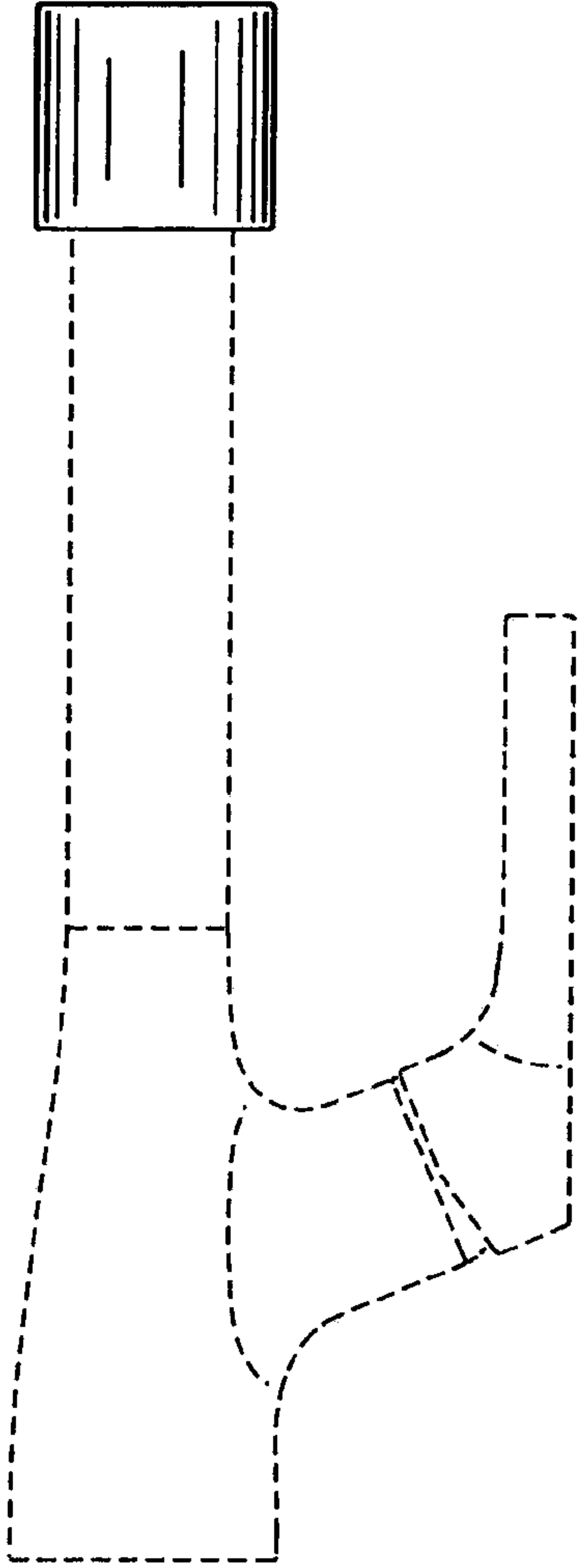


FIG. 2

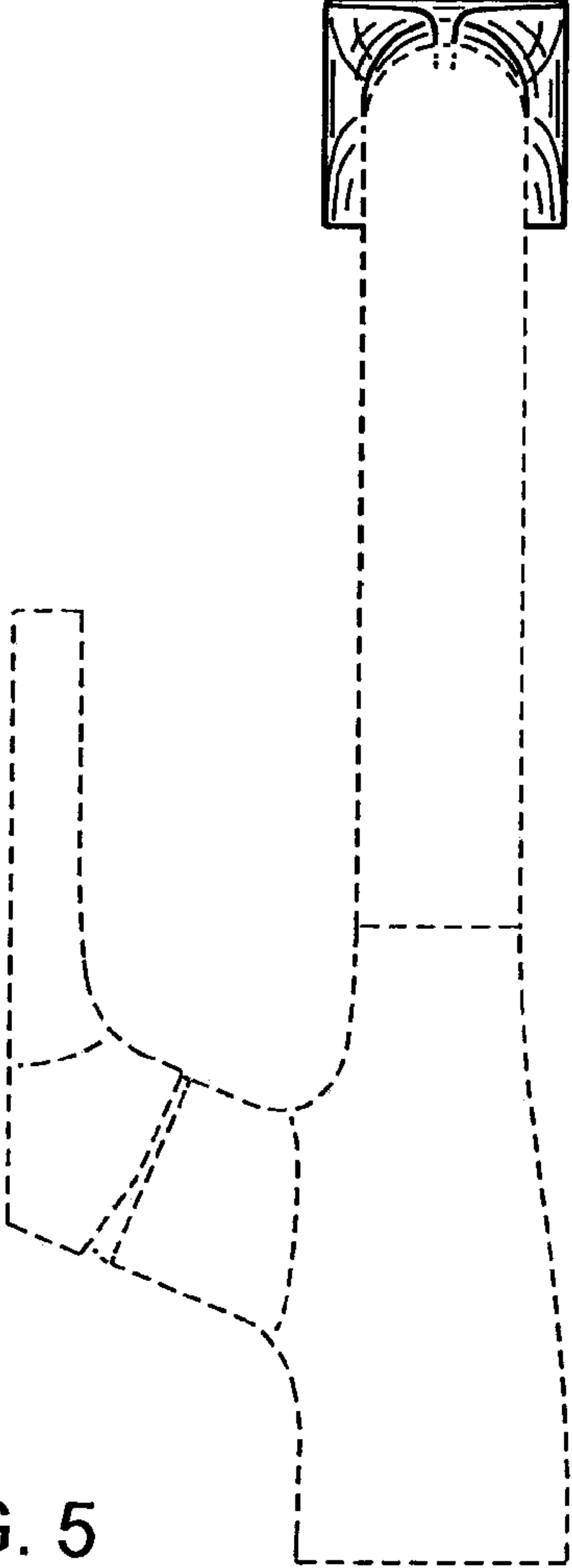


FIG. 5

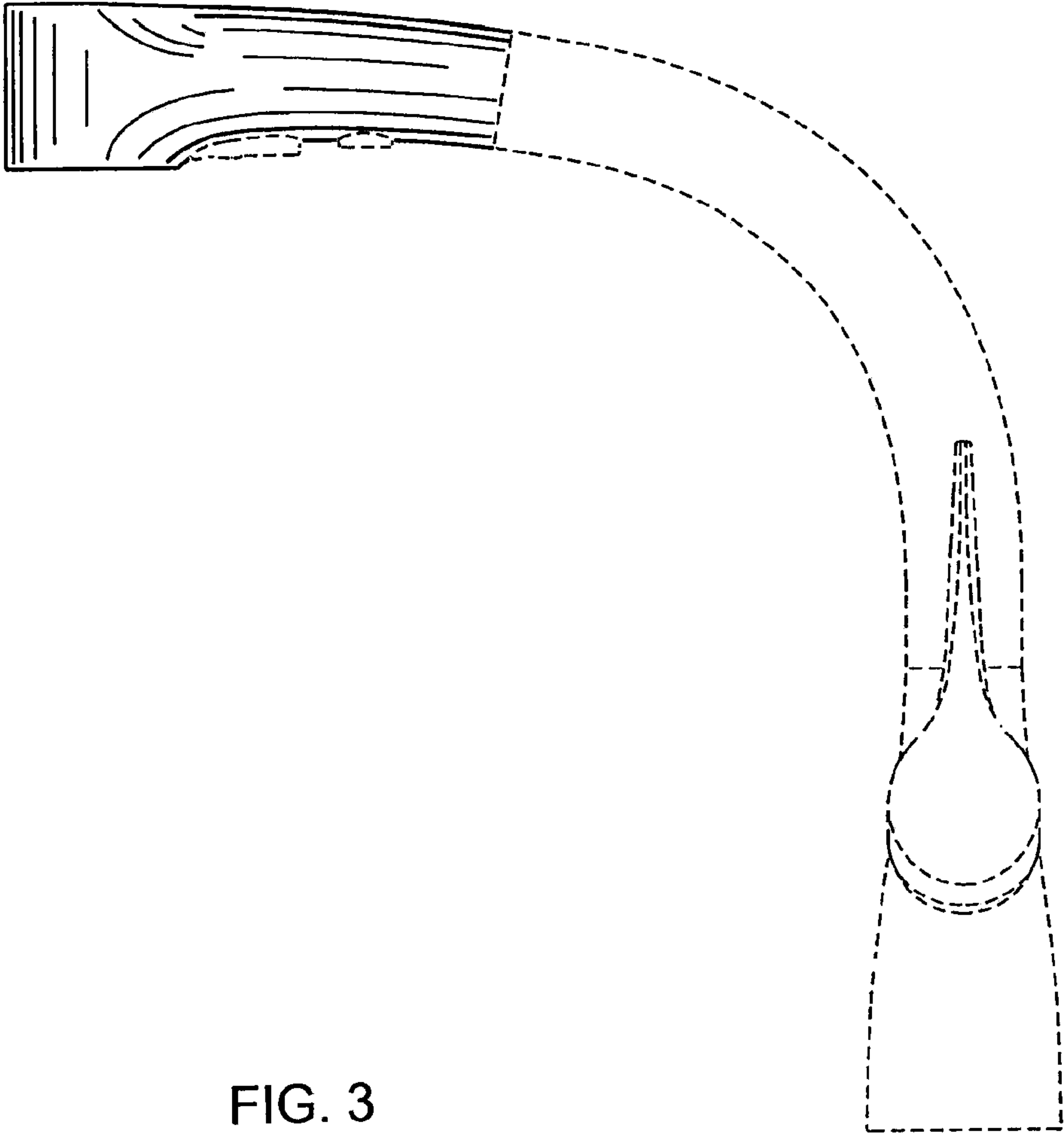


FIG. 3

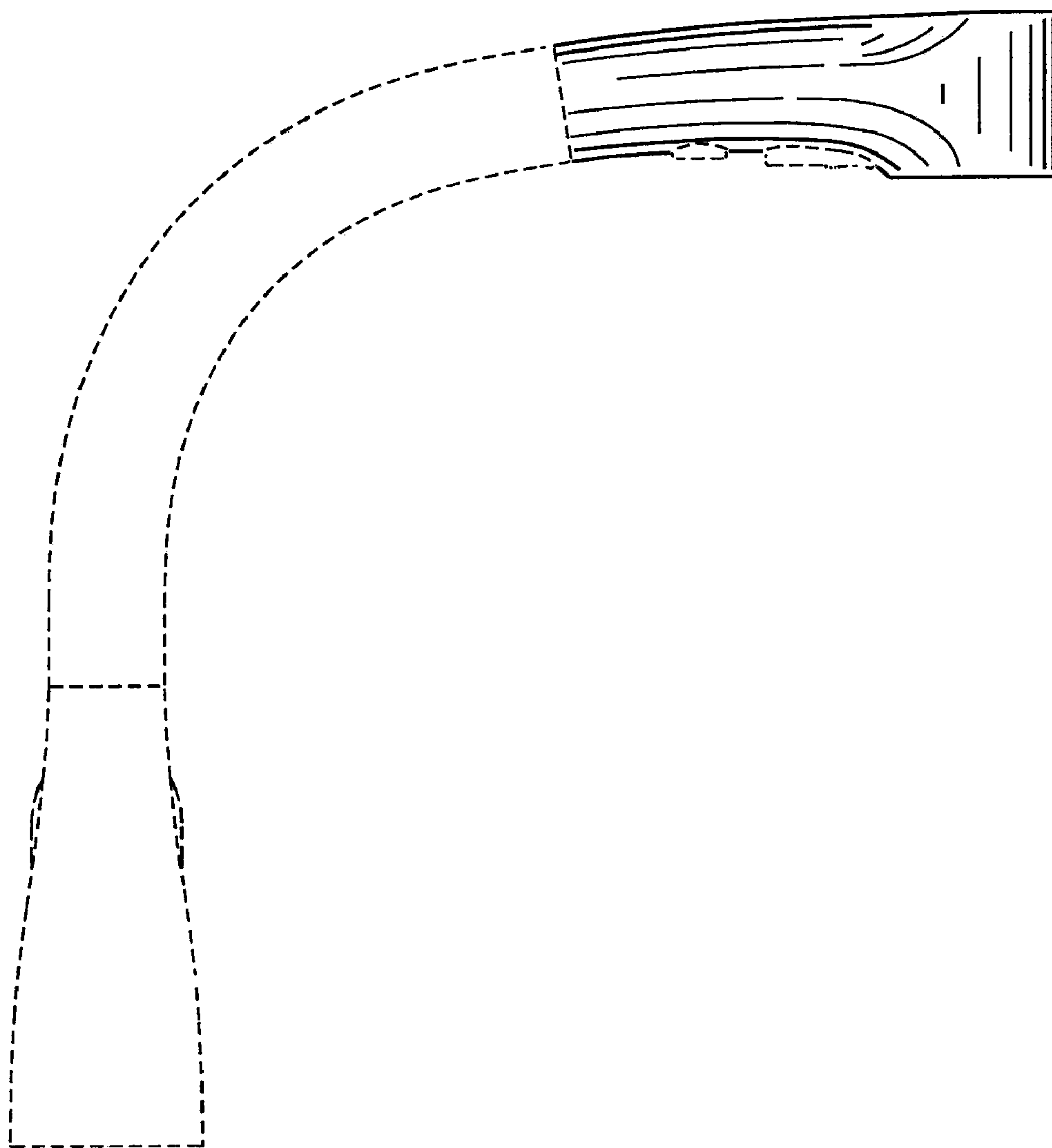


FIG. 4

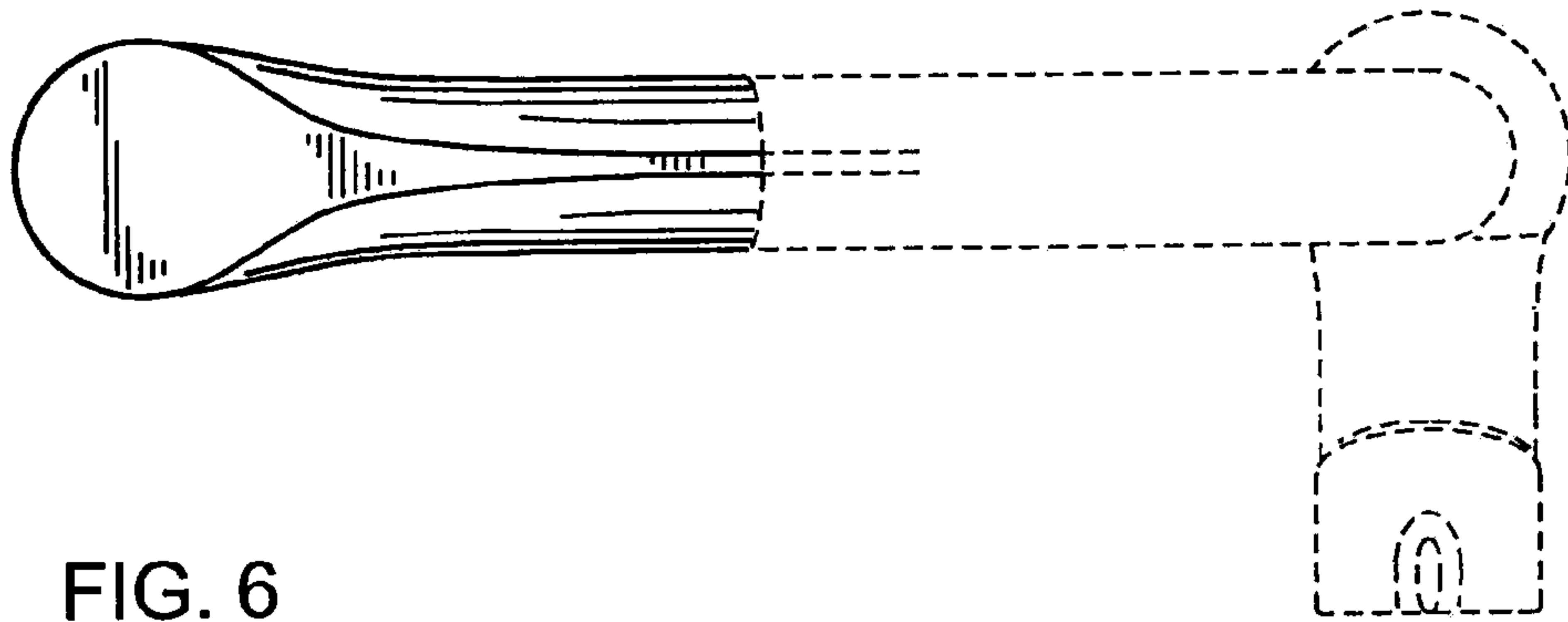


FIG. 6

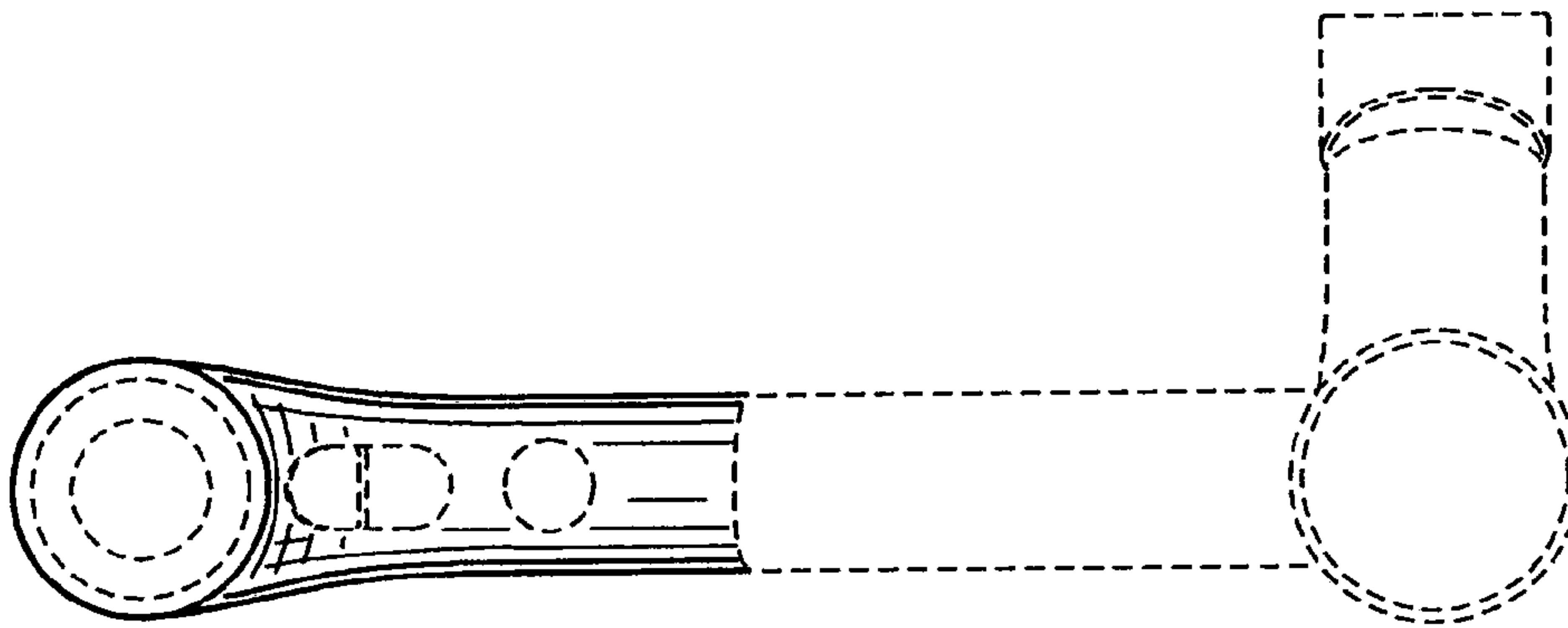


FIG. 7