

US00D591403S

(12) **United States Design Patent**  
**Grether**

(10) **Patent No.:** **US D591,403 S**  
(45) **Date of Patent:** **\*\* Apr. 28, 2009**

(54) **FLOW REGULATOR**

(75) Inventor: **Hermann Grether**, Mullheim (DE)

(73) Assignee: **Neoperl GmbH**, Mullheim (DE)

(\*\*) Term: **14 Years**

(21) Appl. No.: **29/250,267**

(22) Filed: **Nov. 8, 2006**

**Related U.S. Application Data**

(63) Continuation-in-part of application No. 29/248,106, filed on Jul. 28, 2006, now abandoned, which is a continuation-in-part of application No. 29/224,526, filed on Mar. 3, 2005, now Pat. No. Des. 526,701.

(51) **LOC (9) Cl.** ..... **23-01**

(52) **U.S. Cl.** ..... **D23/249**

(58) **Field of Classification Search** ..... D23/235,  
D23/236, 237, 246, 247, 248, 249, 257, 260,  
D23/213; 138/40-42, 37; 239/428.5, 552,  
239/553, 3, 553.5; 261/DIG. 22  
See application file for complete search history.

(56) **References Cited**

**U.S. PATENT DOCUMENTS**

2,487,023	A	11/1949	Lehmann	
2,793,016	A	5/1957	Aghnides	
D235,772	S *	7/1975	Saporito	..... D23/213
4,313,564	A	2/1982	Shames et al.	
4,874,017	A	10/1989	Hendrickson	
4,971,117	A	11/1990	Hendrickson	
5,467,929	A	11/1995	Bosio	
D428,114	S	7/2000	Le Bars	
D428,483	S	7/2000	Balint	

6,126,093	A	10/2000	Grether et al.	
6,152,182	A	11/2000	Grether et al.	
6,354,903	B1 *	3/2002	Nelson	..... 445/58
6,571,831	B1	6/2003	Hart	
6,892,964	B2	5/2005	Grether et al.	
6,902,123	B2	6/2005	Grether et al.	
D516,182	S	2/2006	Buttgen	
D526,701	S *	8/2006	Grether	..... D23/249
D529,588	S	10/2006	Grether	
D536,067	S *	1/2007	Grether	..... D23/249
D536,068	S	1/2007	Grether	
D536,069	S	1/2007	Grether	
D536,417	S *	2/2007	Buttgen	..... D23/213
D536,424	S	2/2007	Grether	
D539,390	S *	3/2007	Grether	..... D23/249
D550,816	S *	9/2007	Grether	..... D23/249
2006/0011748	A1	1/2006	Ferrari	

\* cited by examiner

*Primary Examiner*—Ian Simmons

*Assistant Examiner*—Carissa C Fitts

(74) *Attorney, Agent, or Firm*—Volpe and Koenig, P.C.

(57) **CLAIM**

The ornamental design for a flow regulator, as shown and described.

**DESCRIPTION**

FIG. 1 is a top perspective view of a flow regulator showing my new design in a lower position of use;

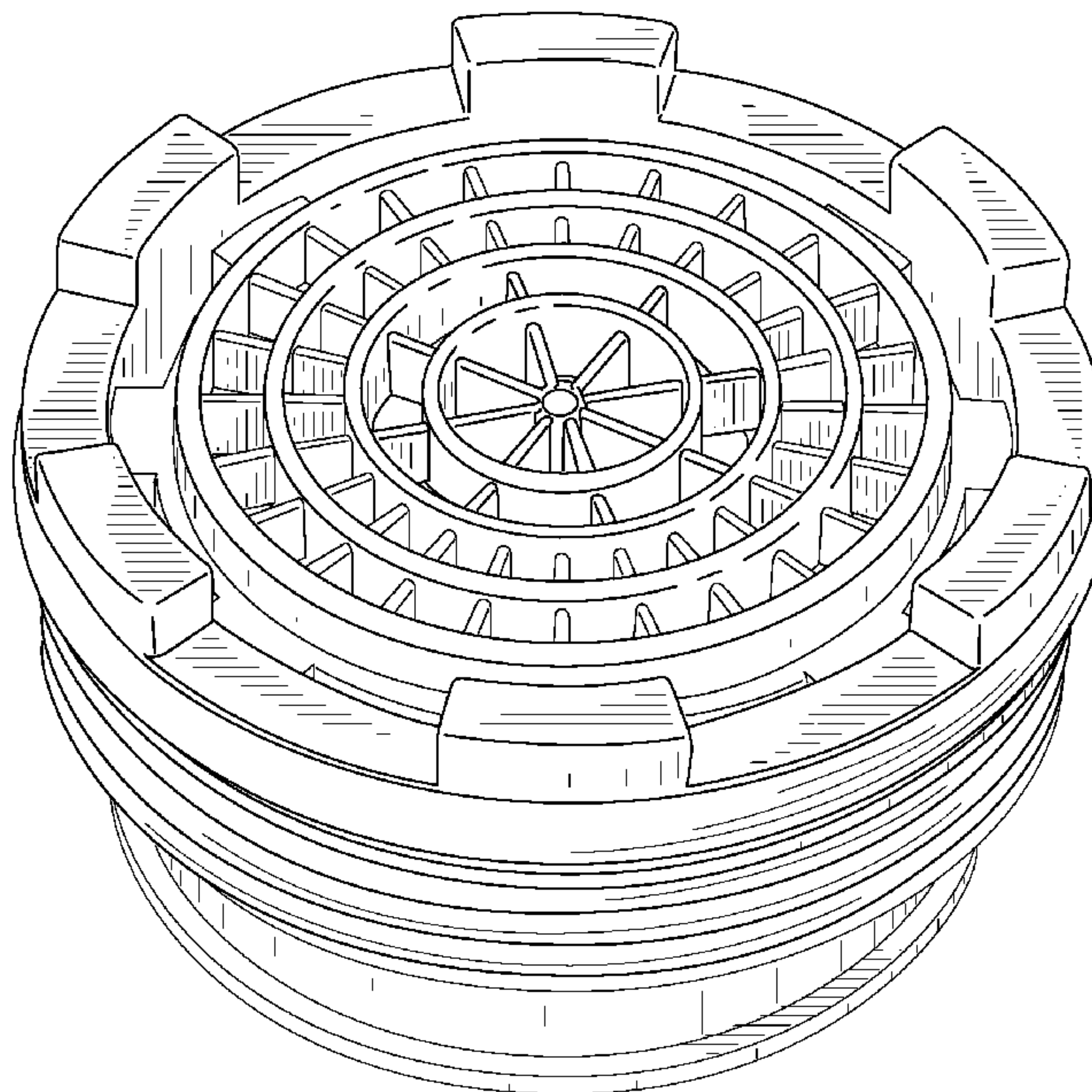
FIG. 2 is top perspective view thereof in an upper position of use;

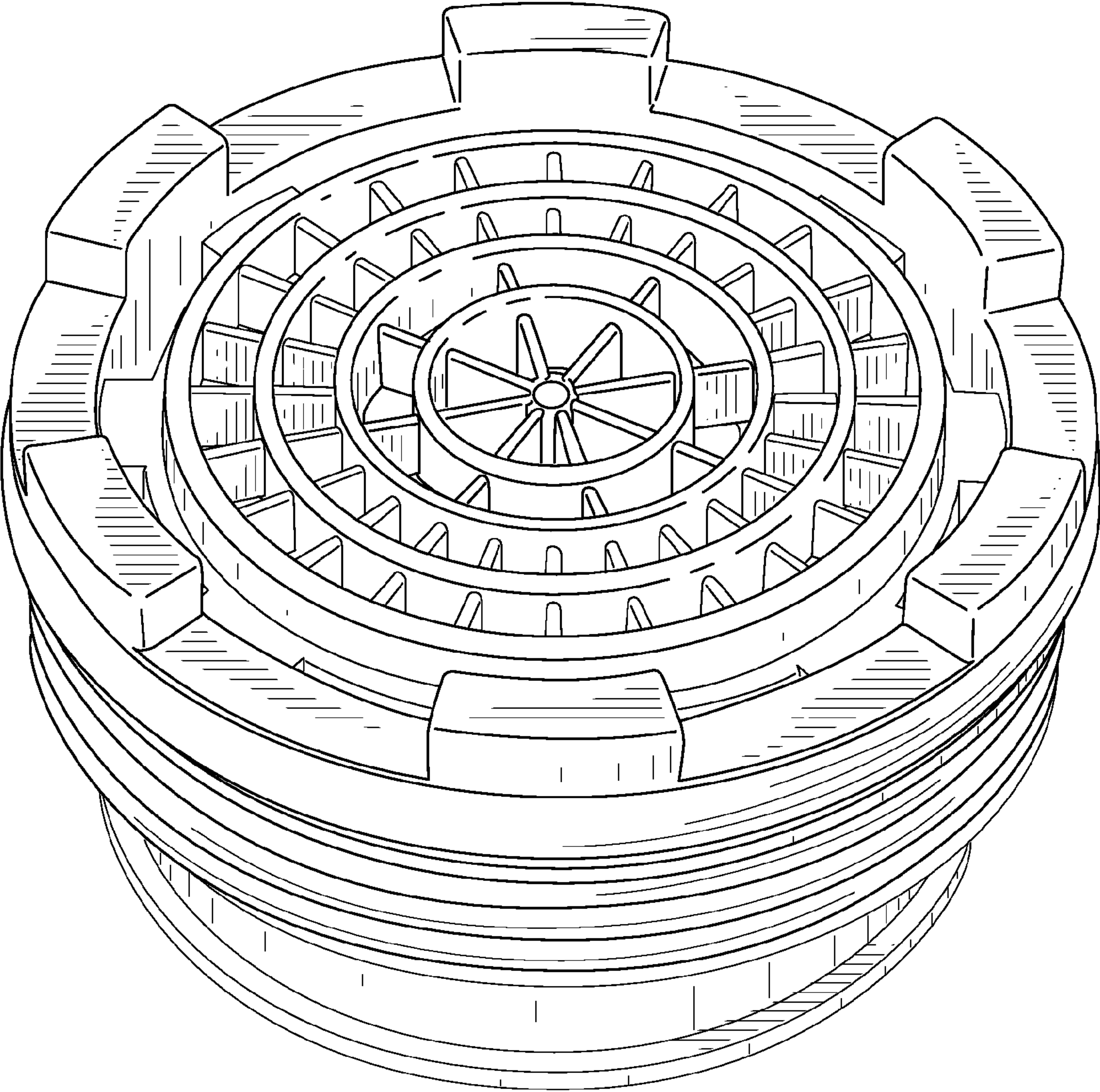
FIG. 3 is an elevational view thereof;

FIG. 4 is a top plan view thereof; and,

FIG. 5 is a bottom plan view thereof.

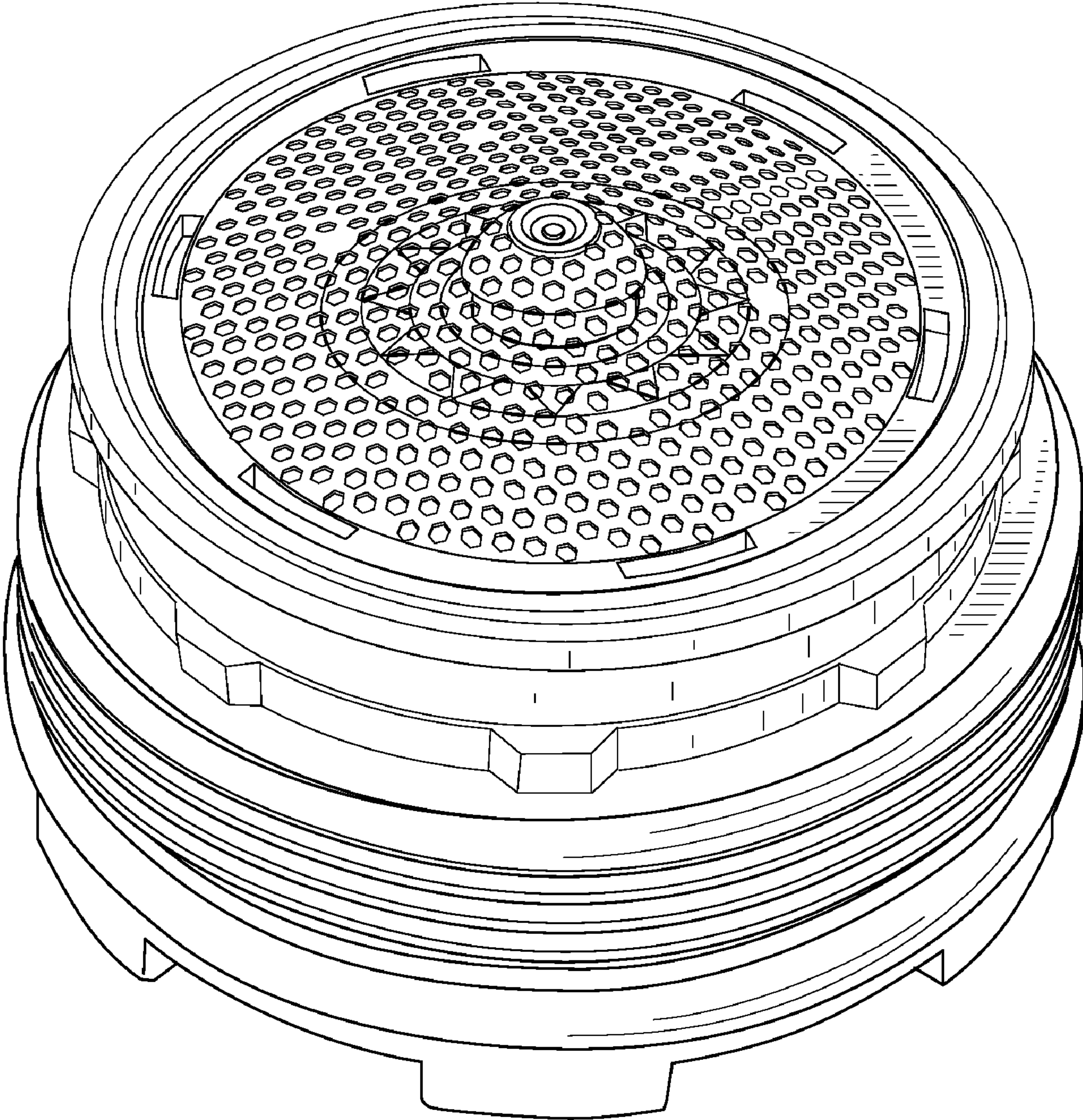
**1 Claim, 5 Drawing Sheets**



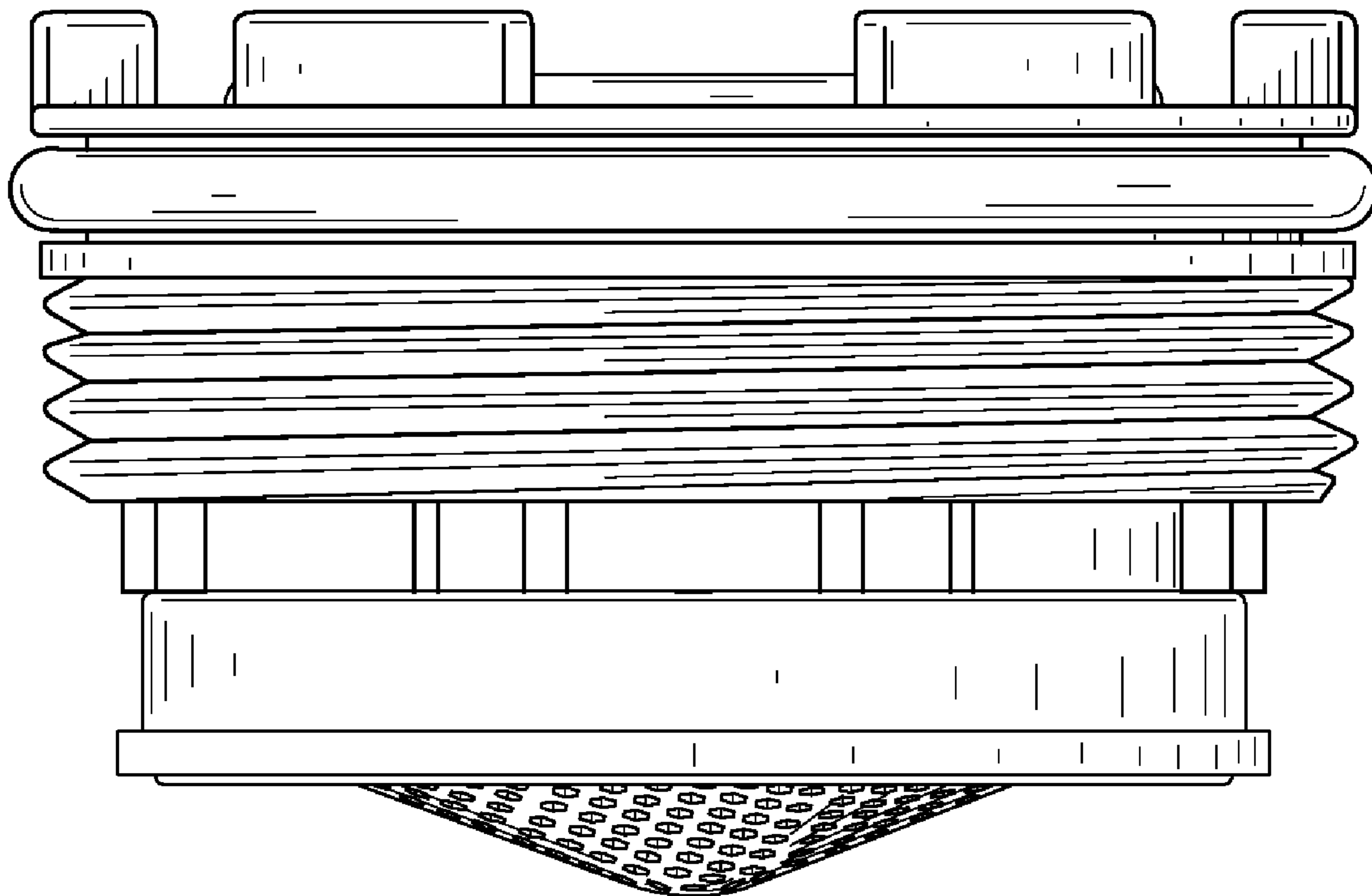


**FIG. 1**

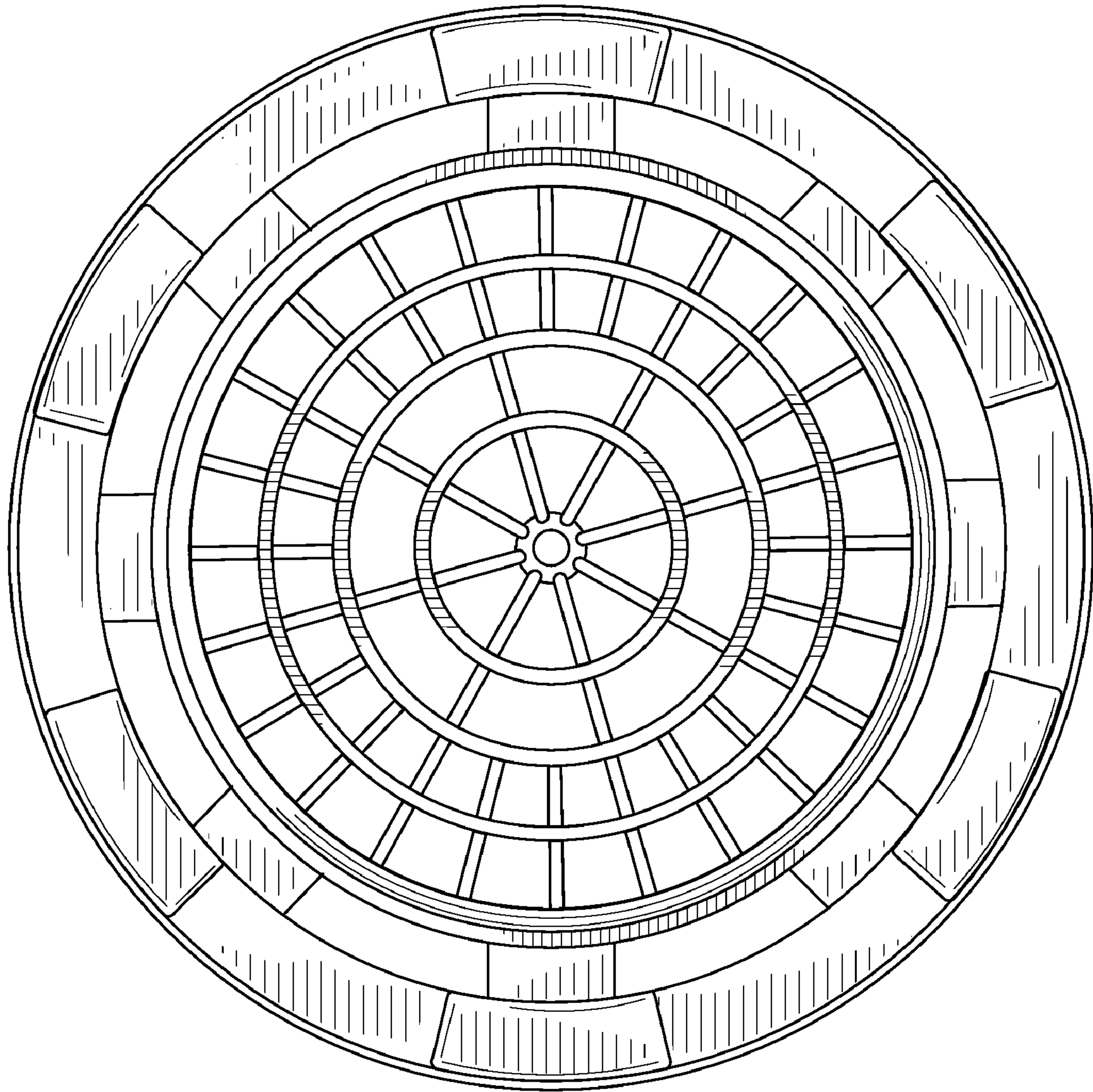




**FIG. 2**

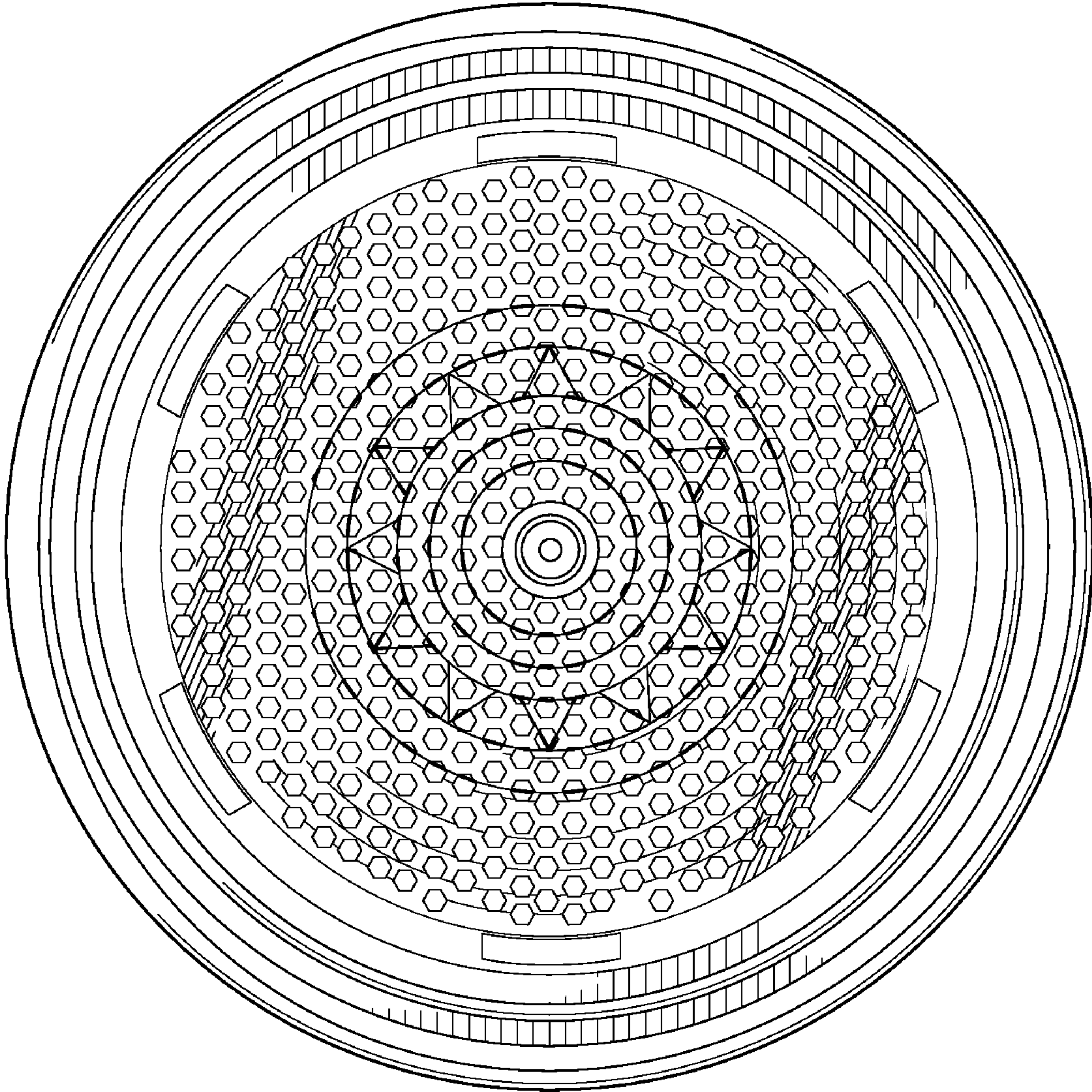


**FIG. 3**



**FIG. 4**





**FIG. 5**