



US00D591402S

(12) **United States Design Patent**
Eckhaus

(10) **Patent No.:** **US D591,402 S**

(45) **Date of Patent:** **** Apr. 28, 2009**

(54) **BRIDGE FAUCET**

(74) *Attorney, Agent, or Firm*—Harvey Lunenfeld

(76) **Inventor:** **Efraim Eckhaus**, 77 Tummel La., West Haven, CT (US) 06516

(57) **CLAIM**

(**) **Term:** **14 Years**

The ornamental design for a bridge faucet, as shown and described.

(21) **Appl. No.:** **29/323,416**

DESCRIPTION

(22) **Filed:** **Aug. 26, 2008**

(51) **LOC (9) Cl.** **23-01**

(52) **U.S. Cl.** **D23/238**

(58) **Field of Classification Search** D23/200,
D23/238–257; 4/675–678; 137/801
See application file for complete search history.

FIG. 1 is a perspective view of a bridge faucet, showing my new design, the broken line showing of a cross handle, a side spray, and a spout shown for illustrative purposes only and forming no part of the claimed design;

FIG. 2 is a front elevation view thereof;

FIG. 3 is a side elevation view thereof;

FIG. 4 is a top plan view thereof;

FIG. 5 is another perspective view thereof, the broken line showing of a lever handle, a side spray, and a spout shown for illustrative purposes only and forming no part of the claimed design;

FIG. 6 is another front elevation view thereof;

FIG. 7 is another side elevation view thereof; and,

FIG. 8 is another top plan view thereof.

The broken line showing of a cross handle, a side spray, and a spout in FIGS. 1–4 are for illustrative purposes only and form no part of the claimed design.

The broken line showing of a lever handle, a side spray, and a spout in FIGS. 5–8 are for illustrative purposes only and form no part of the claimed design.

(56) **References Cited**

U.S. PATENT DOCUMENTS

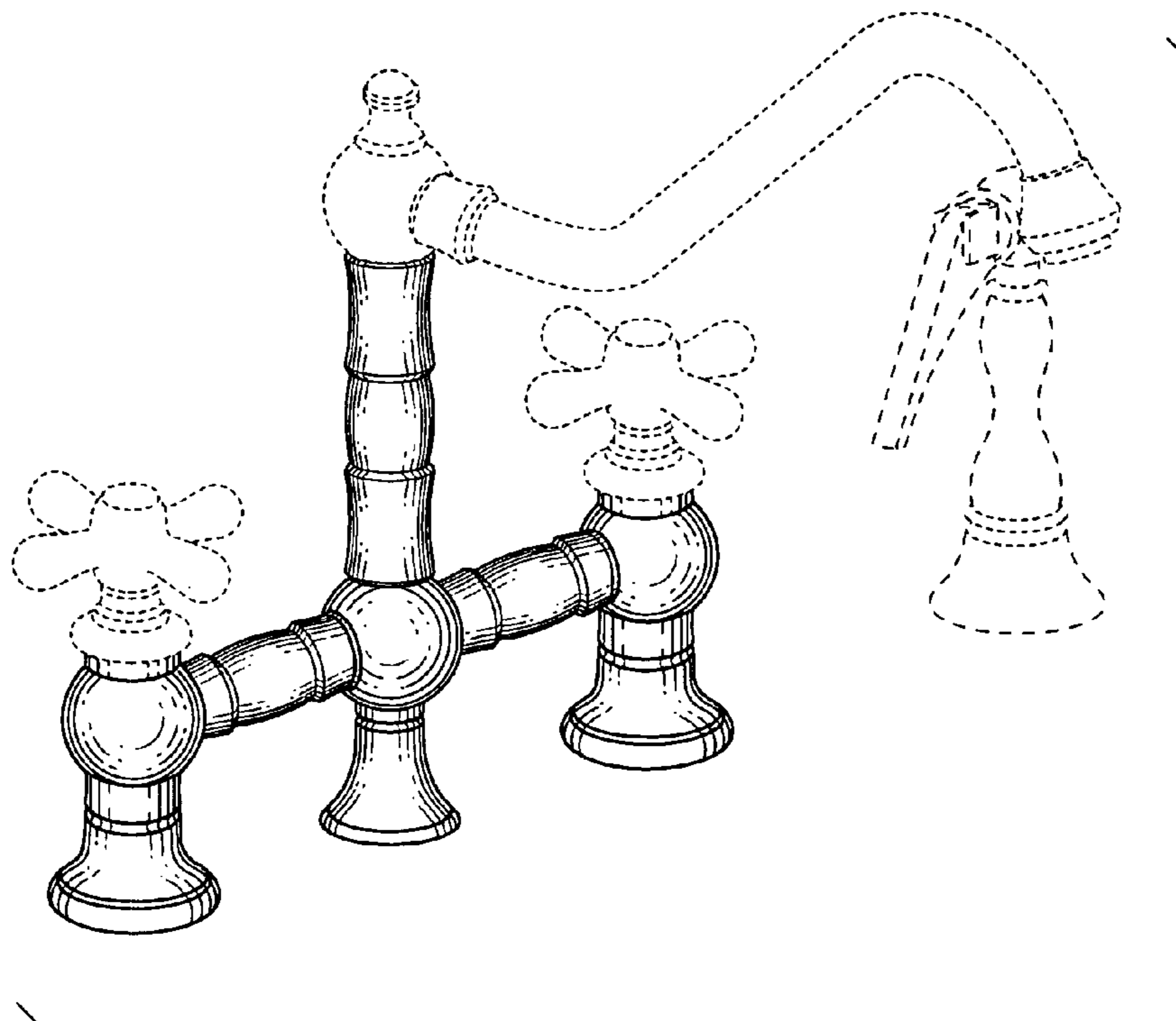
D466,981 S	*	12/2002	Cosolito et al.	D23/242
D472,608 S	*	4/2003	Shieh	D23/241
D492,391 S	*	6/2004	Herbeau	D23/241
D497,410 S	*	10/2004	Warshawsky	D23/241
D511,815 S	*	11/2005	Egee	D23/241
D512,485 S	*	12/2005	Kulig	D23/241
D516,177 S	*	2/2006	Ouyoung	D23/241
D516,681 S	*	3/2006	Gilbert	D23/249
D524,418 S	*	7/2006	Schaffeld et al.	D23/241
D524,916 S	*	7/2006	Schaffeld et al.	D23/249
D569,482 S	*	5/2008	Hanna	D23/238

* cited by examiner

Primary Examiner—Robert A. Delehanty

Assistant Examiner—Mark Cavanna

1 Claim, 8 Drawing Sheets



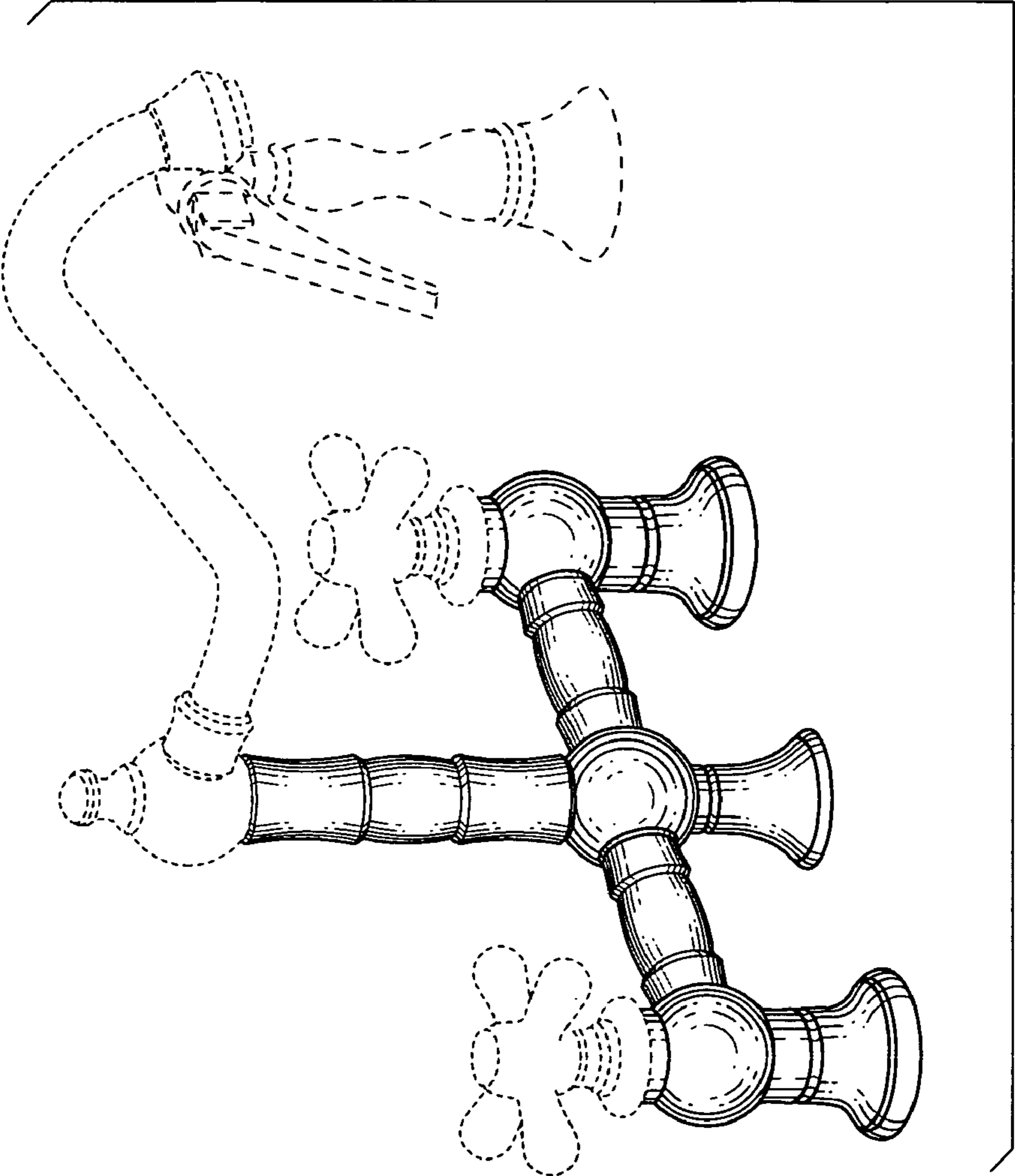


FIG. 1

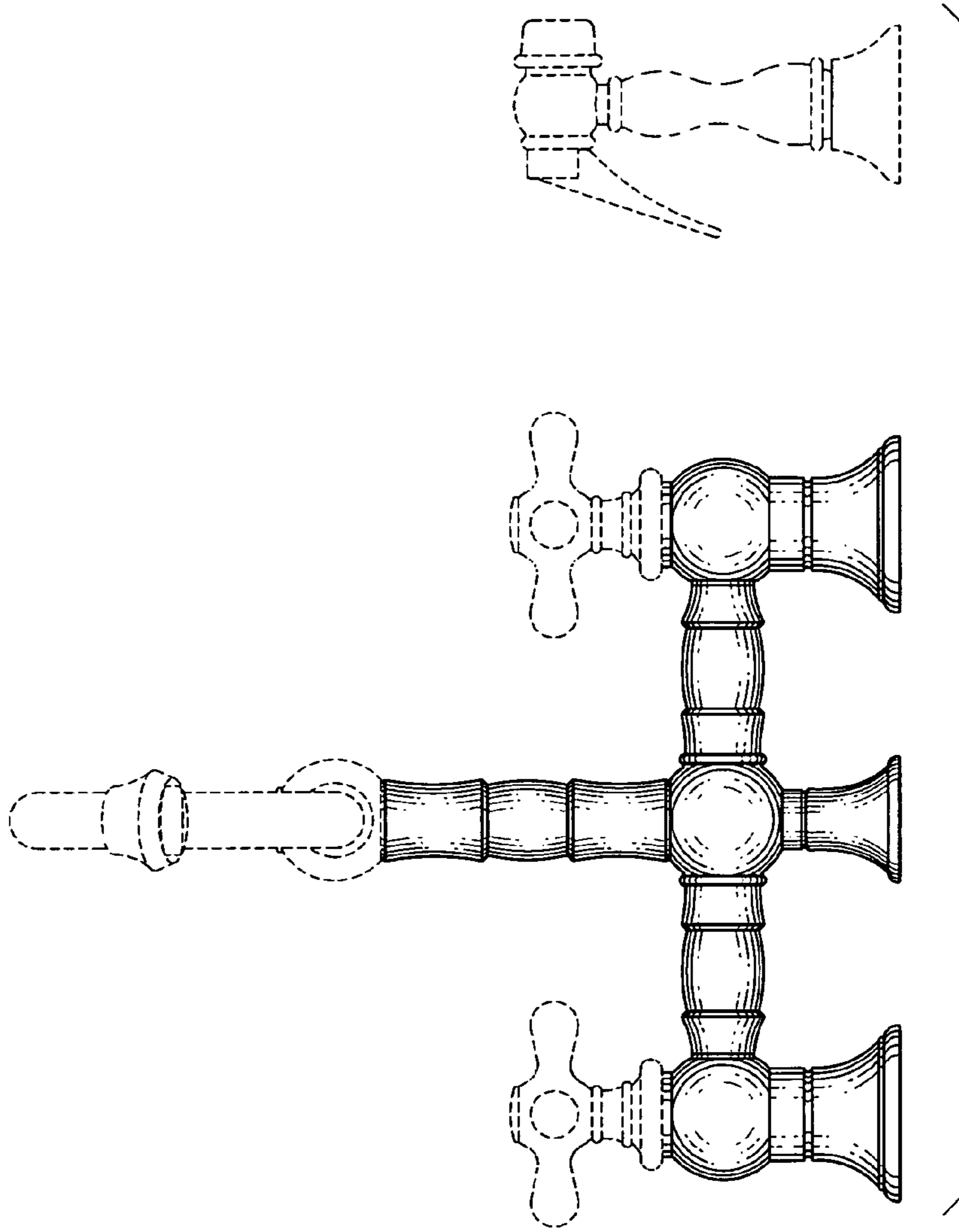


FIG. 2

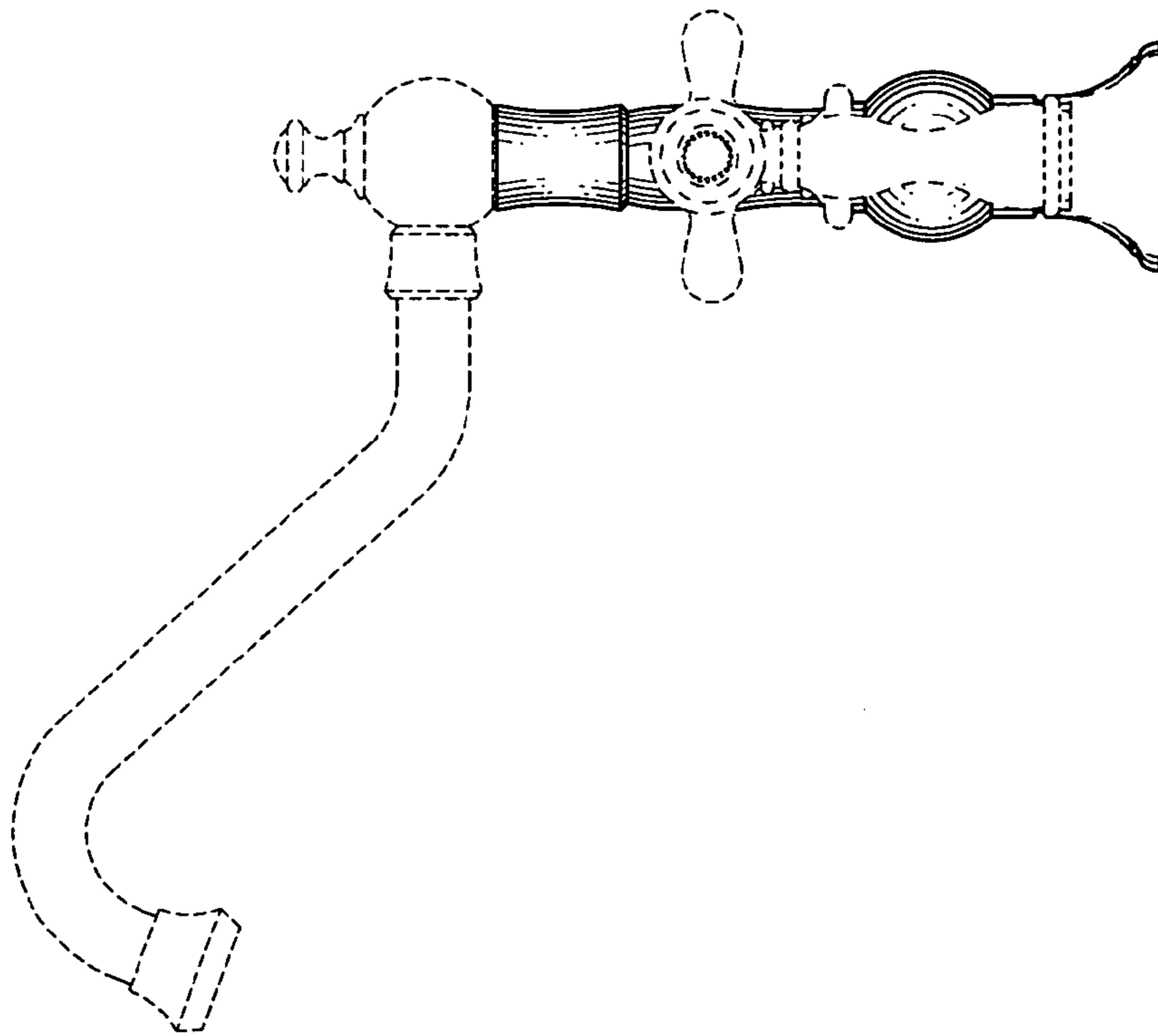


FIG. 3

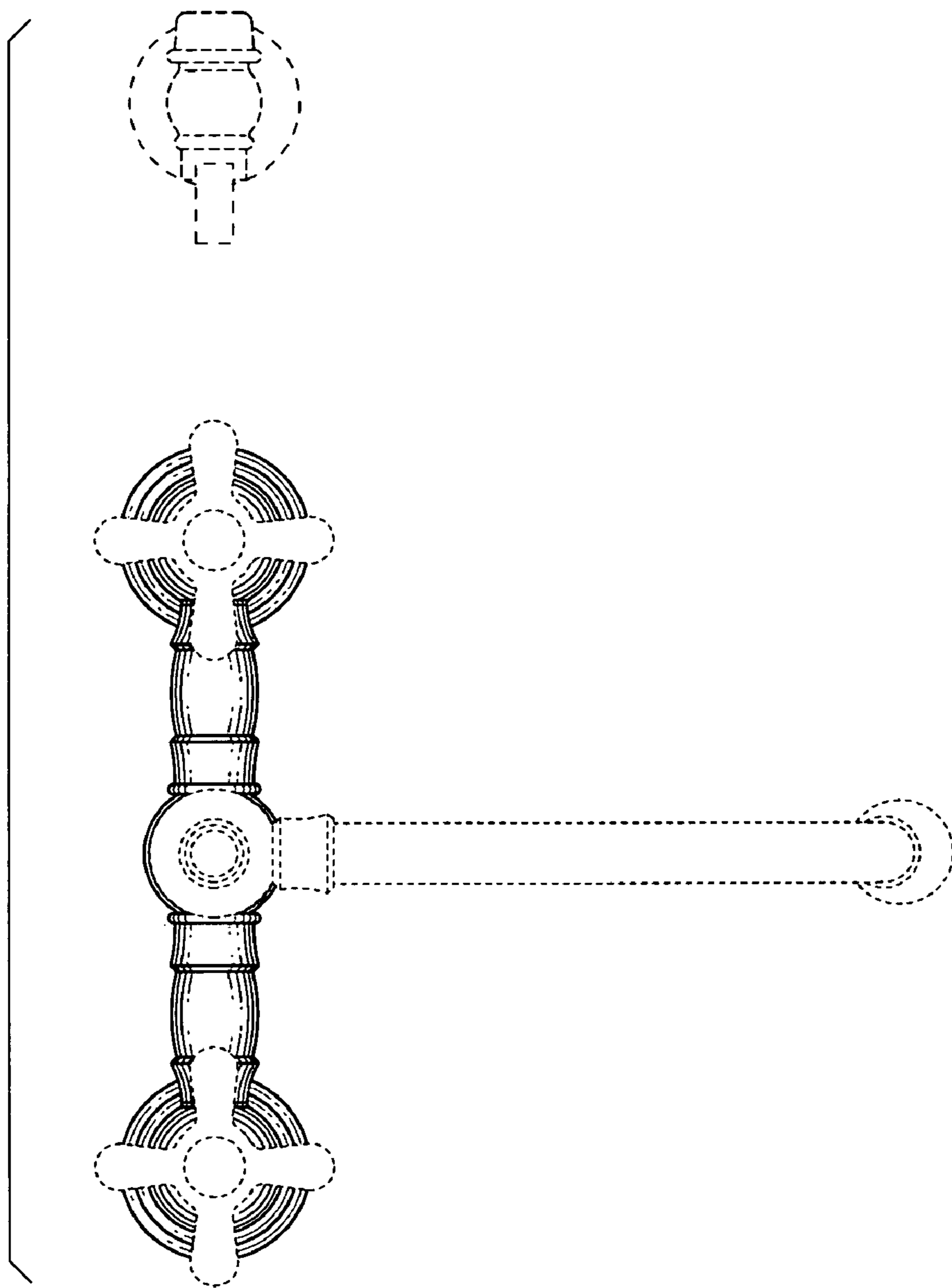


FIG. 4

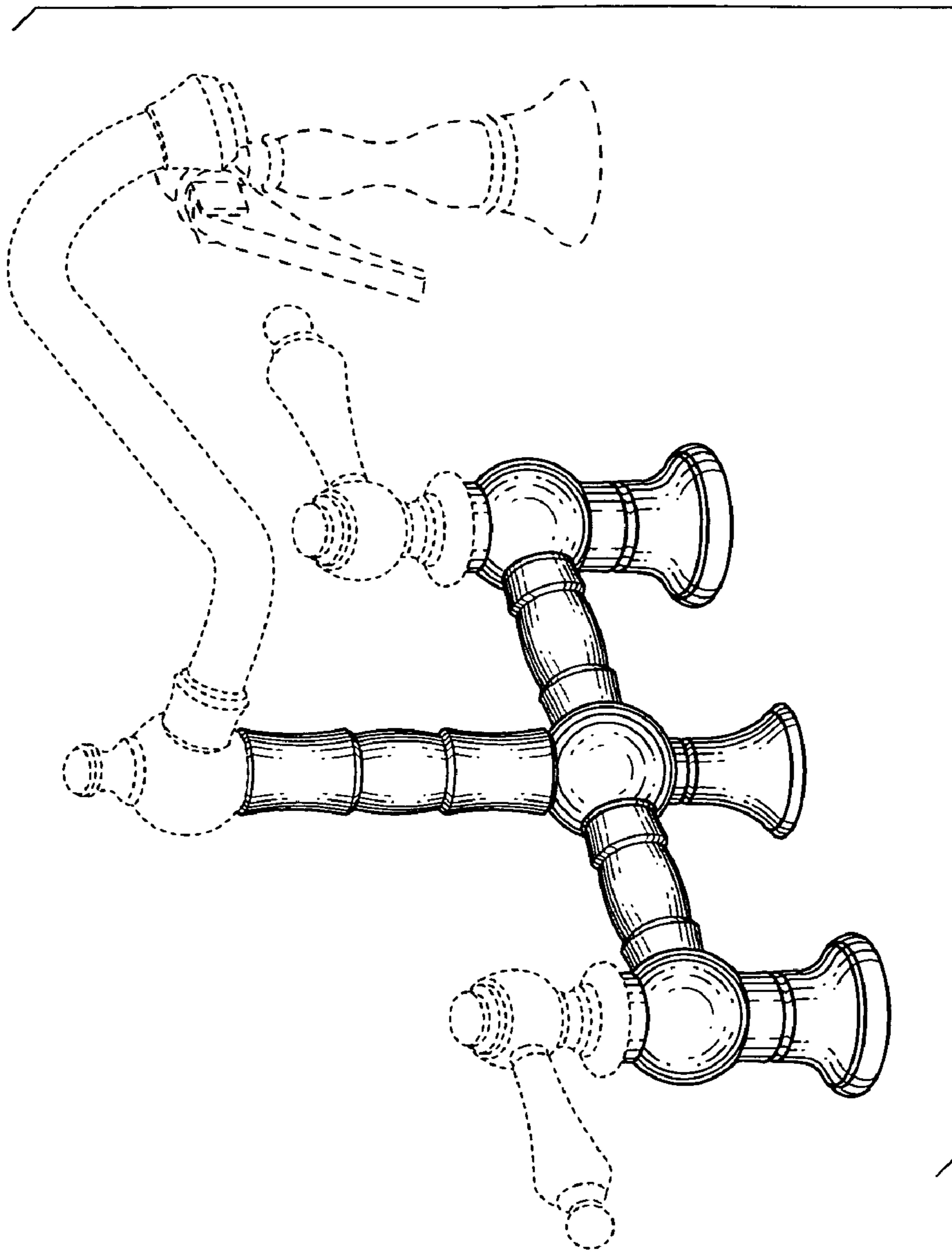


FIG. 5

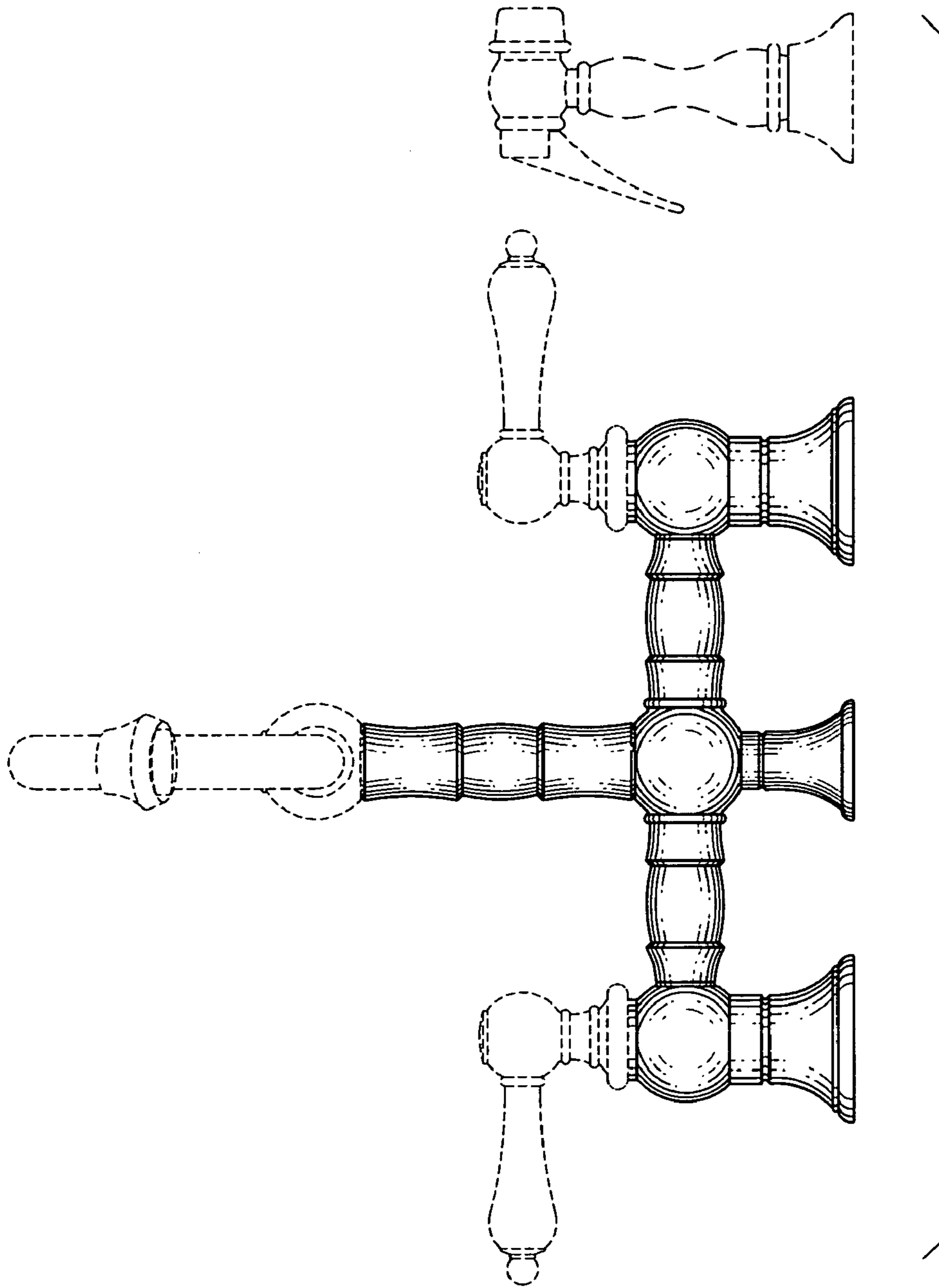


FIG. 6

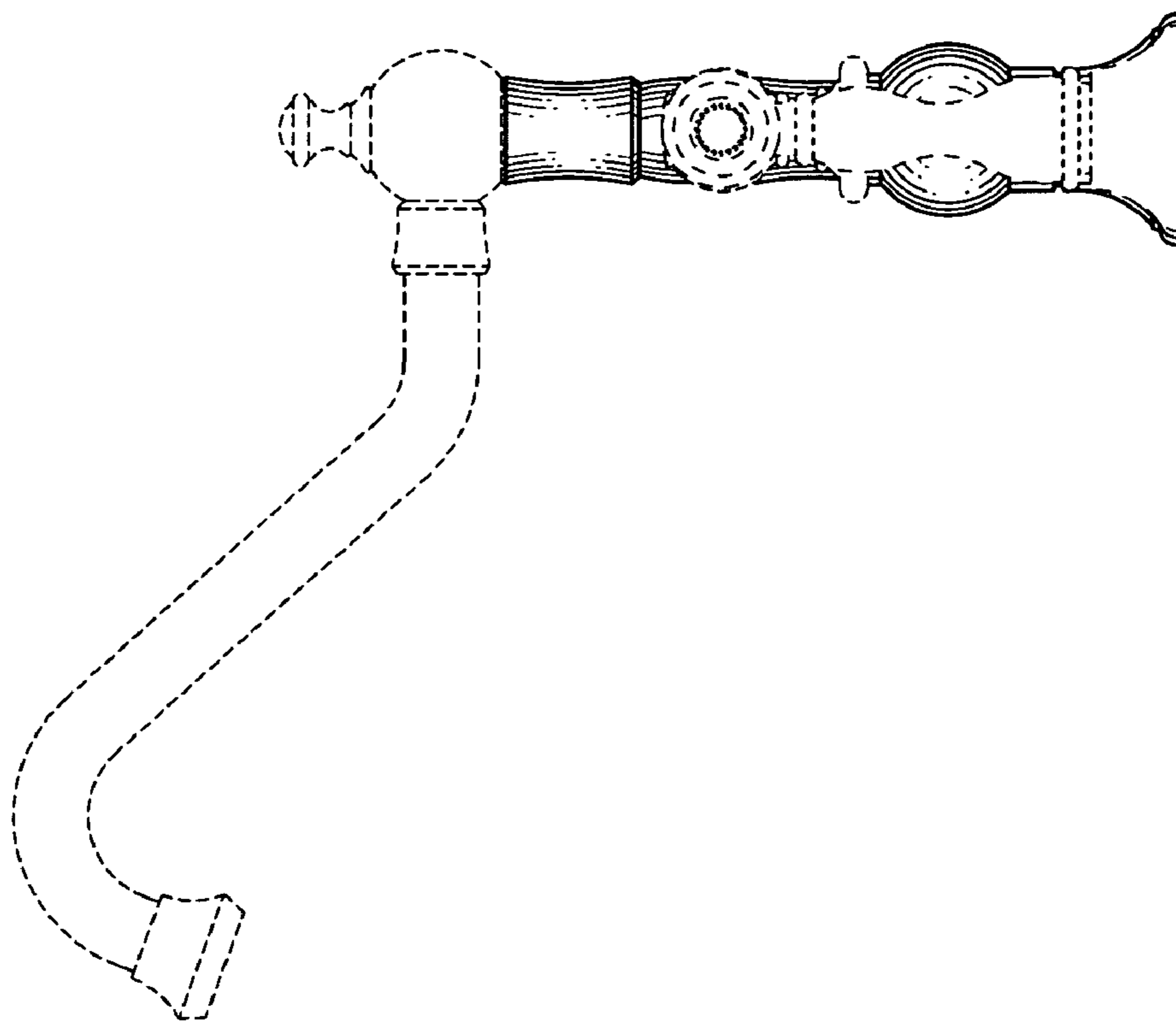


FIG. 7

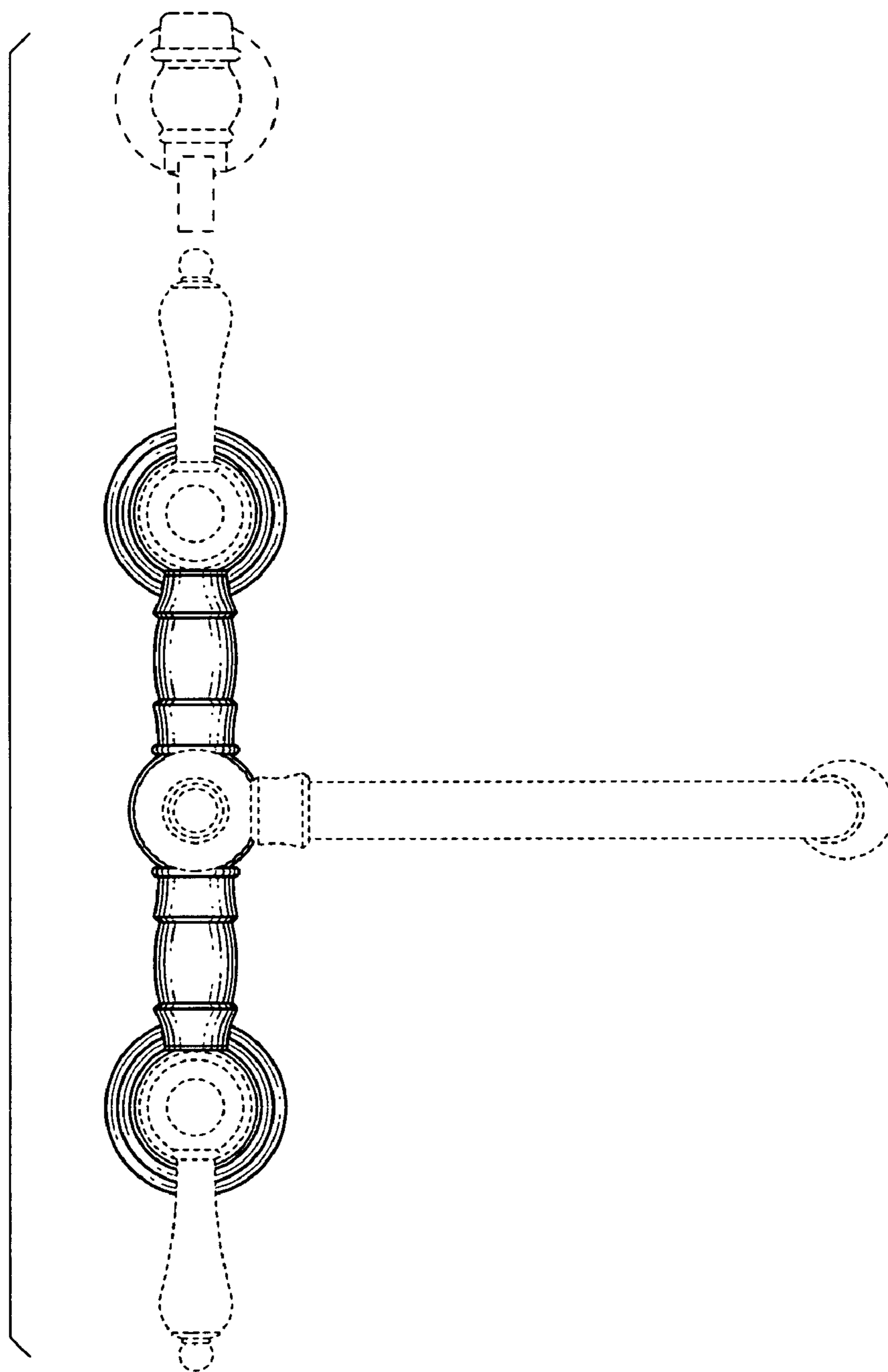


FIG. 8