



US00D591399S

(12) **United States Design Patent**
Miyamoto et al.

(10) **Patent No.:** **US D591,399 S**

(45) **Date of Patent:** **** Apr. 28, 2009**

(54) **FAUCET AND HANDLE SET**

D581,016 S * 11/2008 Lin D23/238

(75) Inventors: **Takeaki Miyamoto**, Kitakyusyu (JP);
Atsushi Toyohara, Kitakyusyu (JP)

FOREIGN PATENT DOCUMENTS

KR 03-0364175 2/2004

* cited by examiner

(73) Assignee: **Toto Ltd.**, Kitakyusyu-shi (JP)

Primary Examiner—Robert A Delehanty

(**) Term: **14 Years**

(74) *Attorney, Agent, or Firm*—Birch, Stewart, Kolasch & Birch, LLP

(21) Appl. No.: **29/317,354**

(57) **CLAIM**

(22) Filed: **Apr. 28, 2008**

The ornamental design for a faucet and handle set, as shown and described.

(30) **Foreign Application Priority Data**

DESCRIPTION

Mar. 3, 2008 (JP) 2008-005016

(51) **LOC (9) Cl.** **23-01**

FIG. 1 is a perspective view of the top, front and right side of a faucet and handle set showing our new design;

(52) **U.S. Cl.** **D23/238**

FIG. 2 is front view thereof;

(58) **Field of Classification Search** D23/238–243,
D23/255–257; 4/675–678; 137/801; D8/300,
D8/307–308, 321; 16/110.1

FIG. 3 is a rear view thereof;

See application file for complete search history.

FIG. 4 is a top plan view thereof;

FIG. 5 is a bottom view thereof; and,

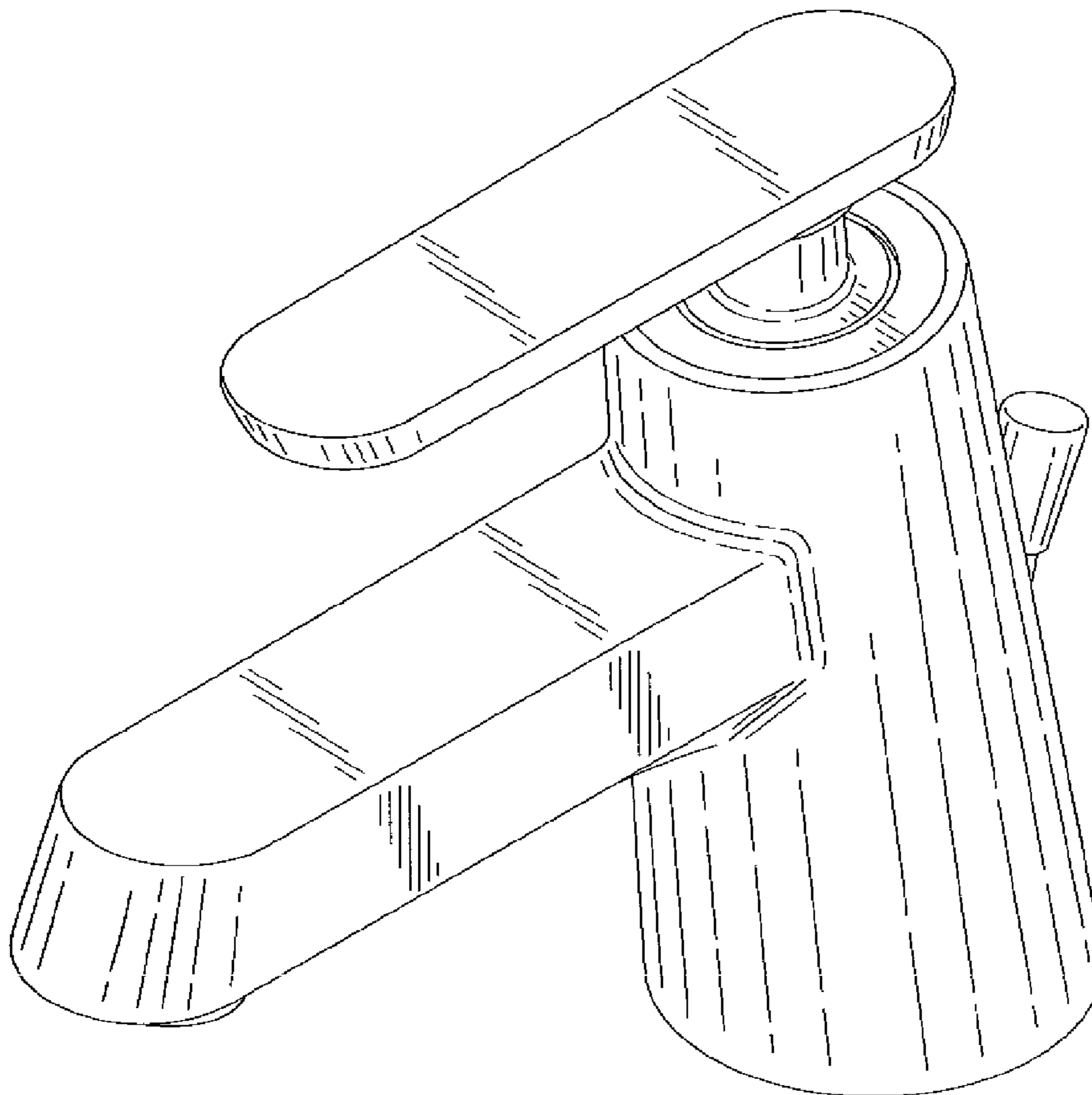
(56) **References Cited**

FIG. 6 is a right side view thereof, the left side view is mirror image thereof.

U.S. PATENT DOCUMENTS

D580,014 S * 11/2008 Citterio D23/238

1 Claim, 4 Drawing Sheets



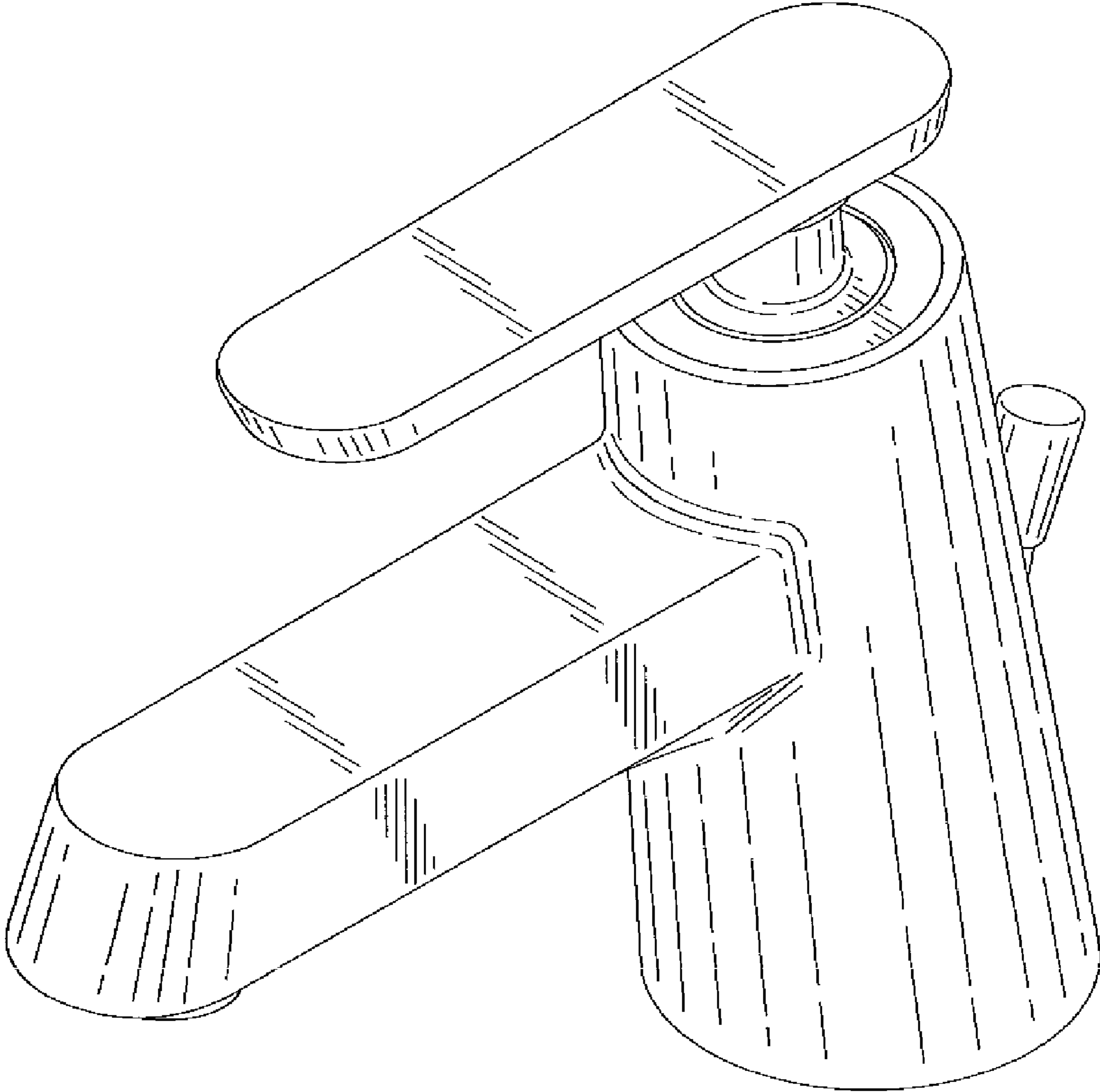


FIG. 1

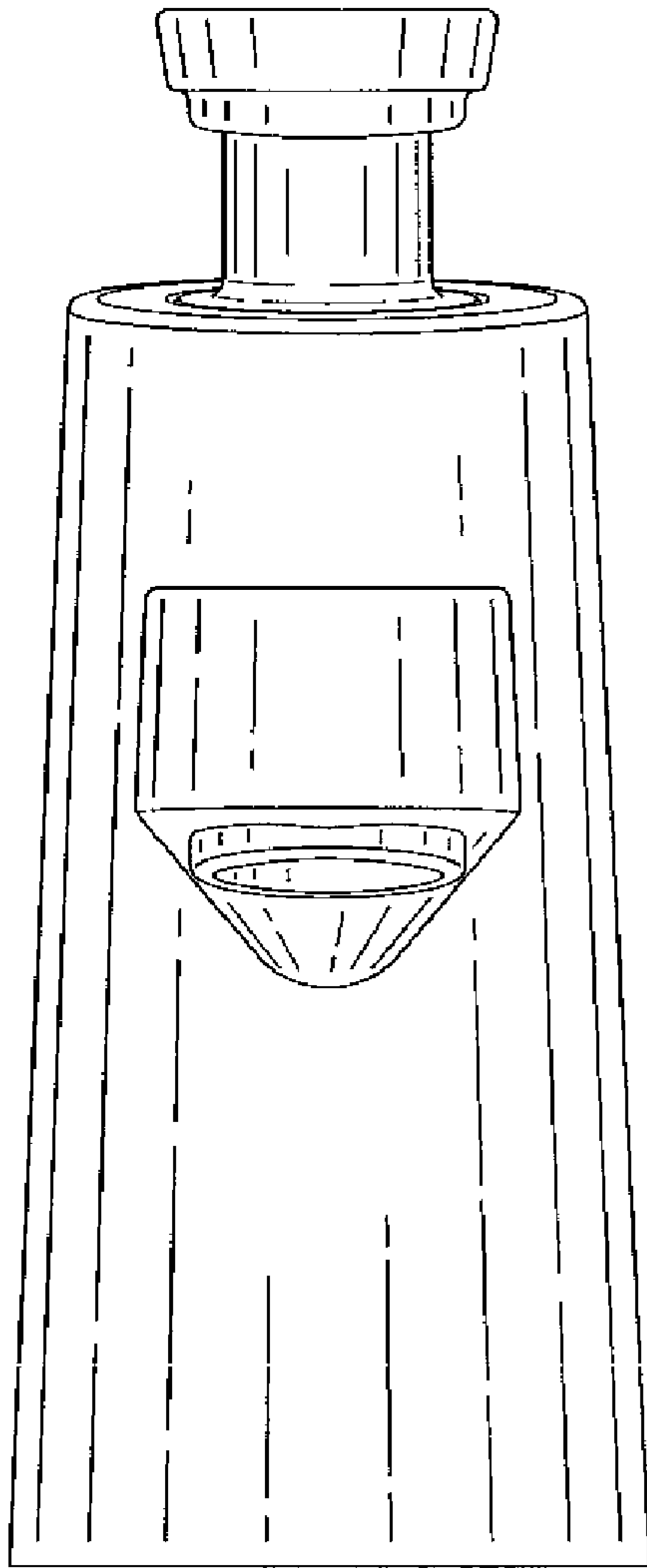


FIG. 2

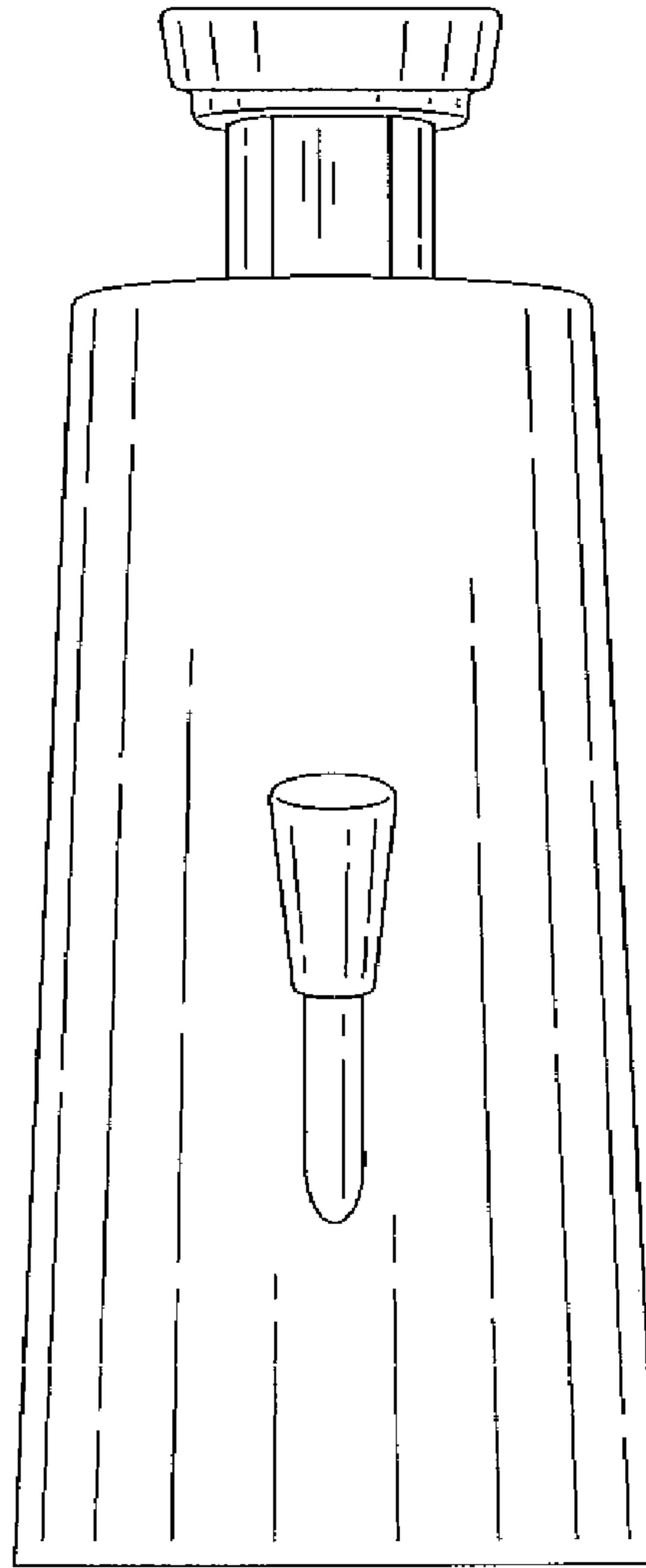


FIG. 3

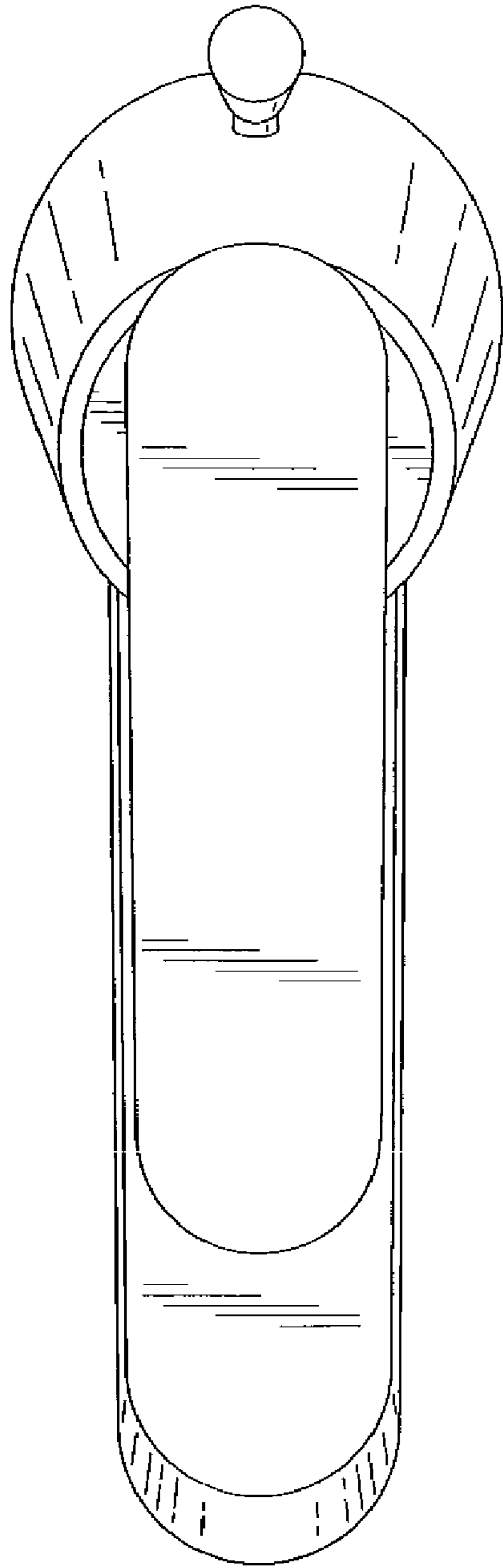


FIG. 4

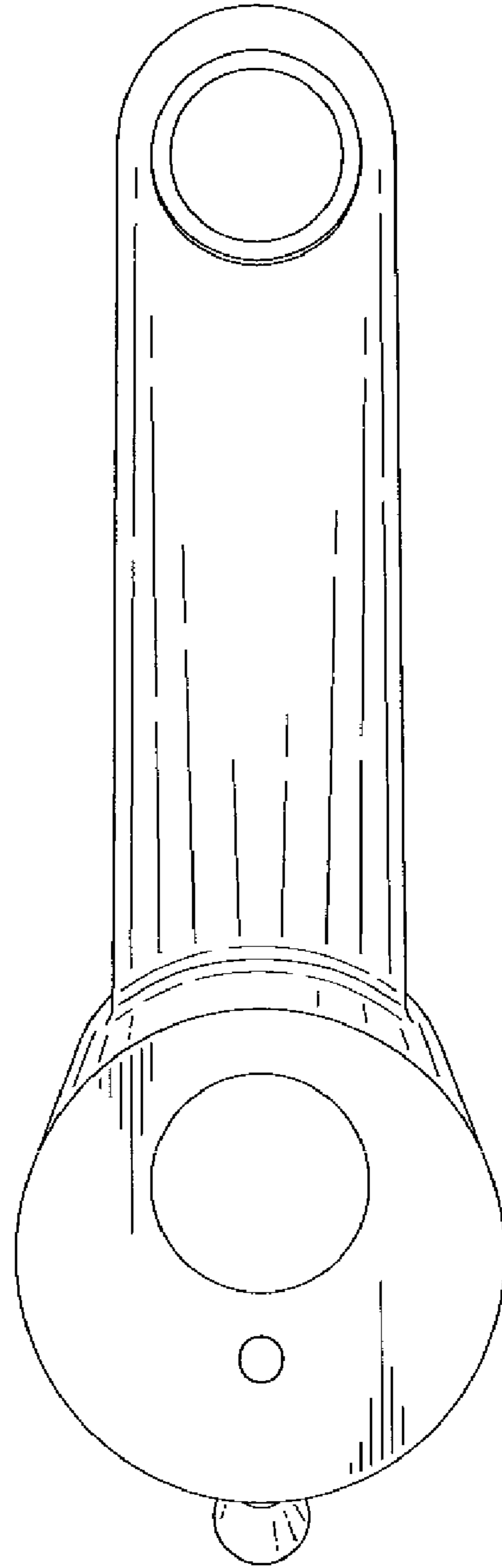


FIG. 5

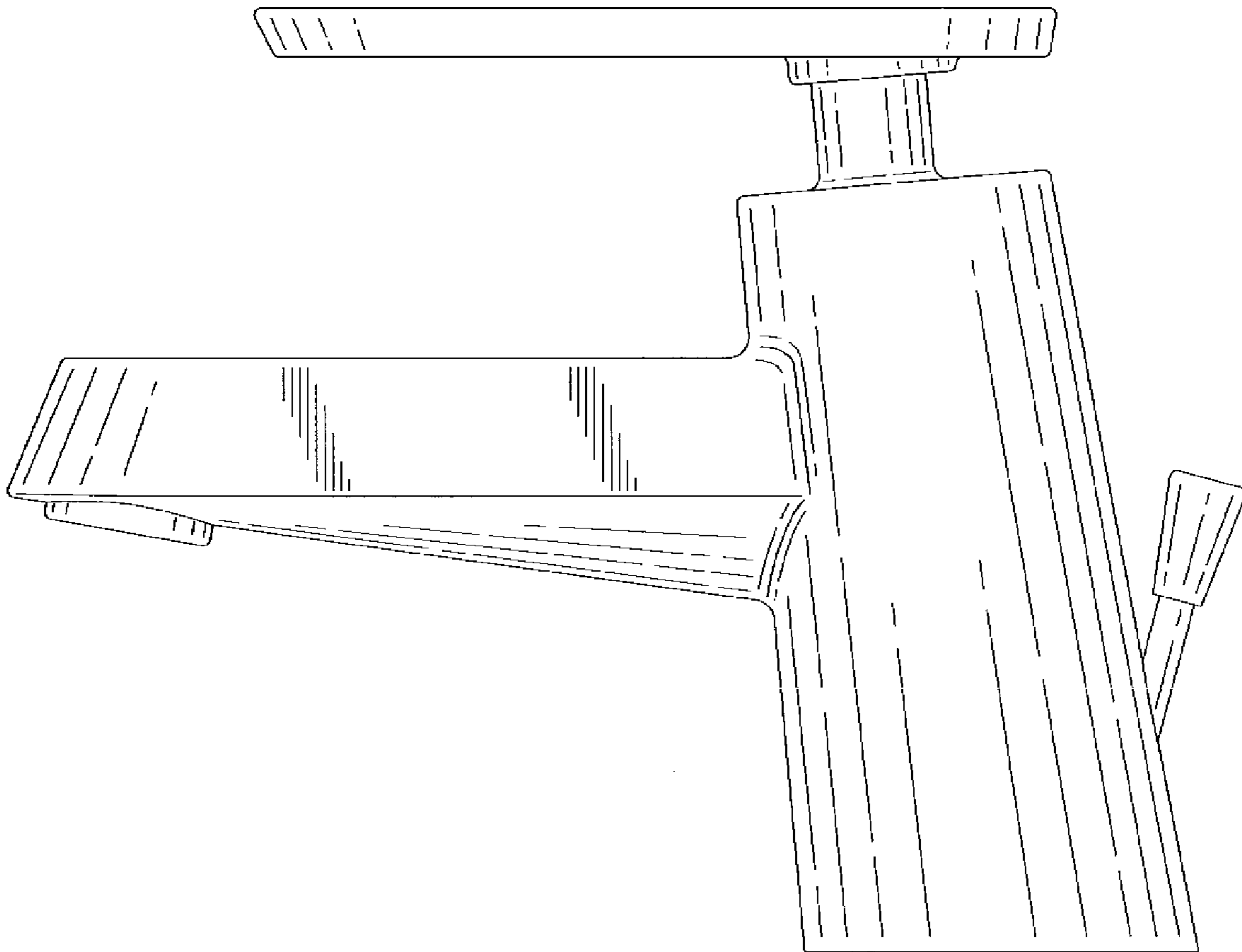


FIG. 6