

US00D591398S

(12) **United States Design Patent**  
**Lammel et al.**

(10) **Patent No.:** **US D591,398 S**  
(45) **Date of Patent:** **\*\* Apr. 28, 2009**

(54) **FAUCET**

(75) Inventors: **Michael Lammel**, Aachen (DE);  
**Michael Zeisel**, Aachen (DE)

(73) Assignee: **KWC AG**, Unterkulm (CH)

(\*\*) Term: **14 Years**

(21) Appl. No.: **29/259,023**

(22) Filed: **May 2, 2006**

(30) **Foreign Application Priority Data**

Nov. 3, 2005 (CH) ..... 132261

(51) **LOC (9) Cl.** ..... **23-01**

(52) **U.S. Cl.** ..... **D23/238**

(58) **Field of Classification Search** ..... D23/238–257;  
4/675–678; 137/801

See application file for complete search history.

(56) **References Cited**

**U.S. PATENT DOCUMENTS**

6,220,298	B1 *	4/2001	Wu	.....	137/801
D444,212	S	6/2001	Fleischmann		
D479,309	S *	9/2003	Haug et al.	.....	D23/238
D479,579	S *	9/2003	Haug et al.	.....	D23/238
D481,104	S *	10/2003	Wettstein et al.	.....	D23/238
D481,105	S *	10/2003	Wettstein et al.	.....	D23/238
D527,074	S *	8/2006	Lammel et al.	.....	D23/238
D528,188	S *	9/2006	Lammel et al.	.....	D23/238
D528,635	S *	9/2006	Lammel et al.	.....	D23/238
D529,131	S *	9/2006	Haug et al.	.....	D23/238
D539,870	S *	4/2007	Lammel et al.	.....	D23/238
D544,072	S *	6/2007	Gloor	.....	D23/238
D550,813	S *	9/2007	Lammel et al.	.....	D23/238

2006/0289343 A1\* 12/2006 Schmitt et al. .... 210/85

**OTHER PUBLICATIONS**

“Architecture World” Magazine for the 1<sup>st</sup> half of year 2003, p. 1789 with cover page.

U.S. Appl. No. 29/259,023, filed May 2, 2006, Lammel, et al.

U.S. Appl. No. 29/276,813, filed Feb. 6, 2007, Lammel, et al.

U.S. Appl. No. 29/266,685, filed Sep. 27, 2006, Gloor.

U.S. Appl. No. 29/222,515, filed Feb. 2, 2005, Lammel, et al.

U.S. Appl. No. 29/222,538, filed Feb. 2, 2005, Lammel, et al.

U.S. Appl. No. 29/234,422, filed Jul. 19, 2005, Lammel, et al.

U.S. Appl. No. 29/253,832, filed Feb. 14, 2006, Lammel, et al.

U.S. Appl. No. 29/253,837, filed Feb. 14, 2006, Lammel, et al.

“Architecture Word” Magazine, Publication Date: 1<sup>st</sup> half year of 2003, p. 1789, Item A-266.

\* cited by examiner

*Primary Examiner*—T. Chase Nelson

*Assistant Examiner*—Ania K Dworzecka

(74) *Attorney, Agent, or Firm*—Oblon, Spivak, McClelland, Maier & Neustadt, P.C.

(57) **CLAIM**

The ornamental design for a faucet, as shown and described.

**DESCRIPTION**

FIG. 1 is a bottom and right front perspective view of a faucet, showing our new design;

FIG. 2 is a top and right front perspective view thereof;

FIG. 3 is a top plan view thereof;

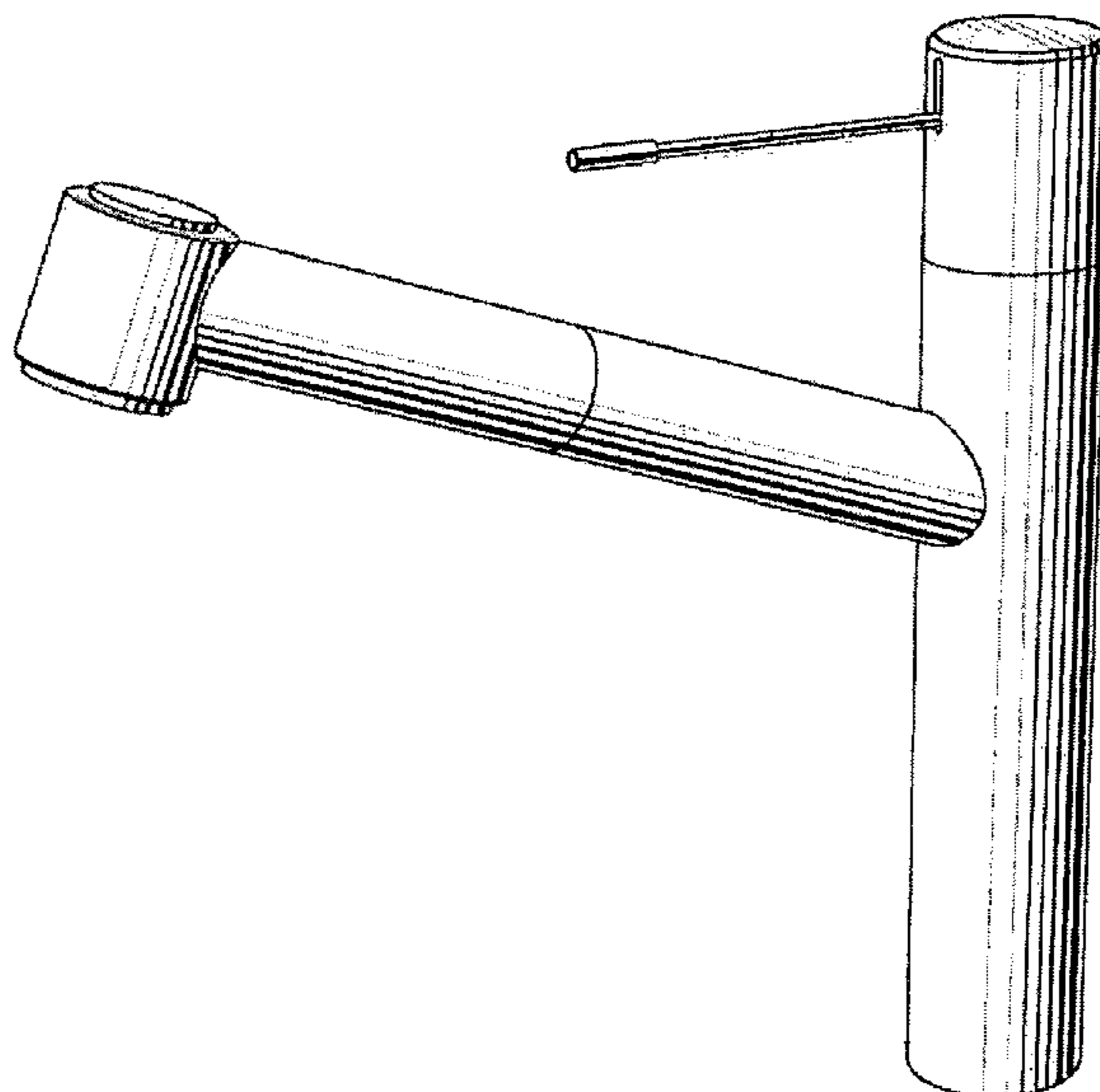
FIG. 4 is a right side elevational view thereof, the left side elevational view being a mirror image of the side view shown;

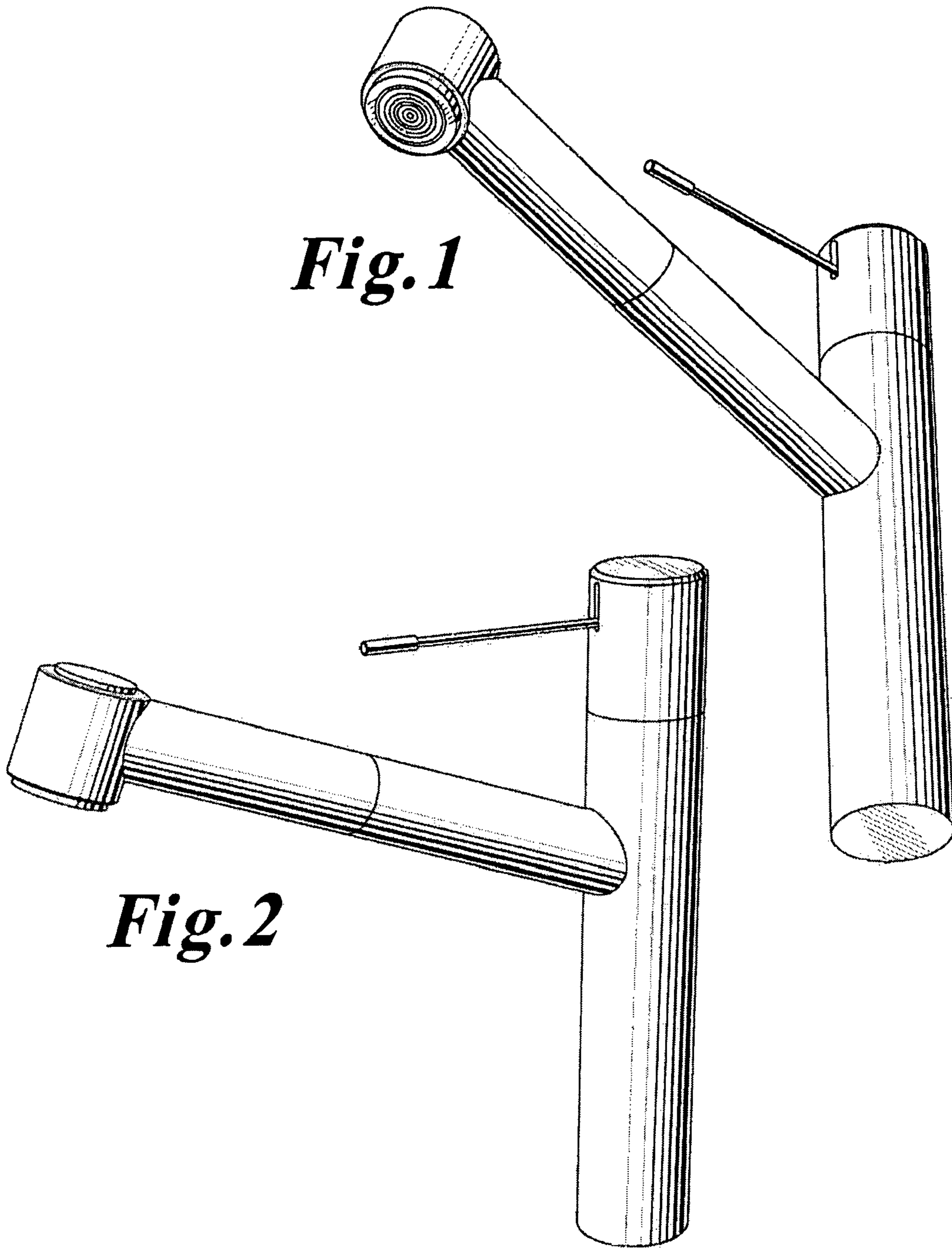
FIG. 5 is a right rear elevational view thereof;

FIG. 6 is a front elevational view thereof; and,

FIG. 7 is an enlarged detailed view of the handle thereof.

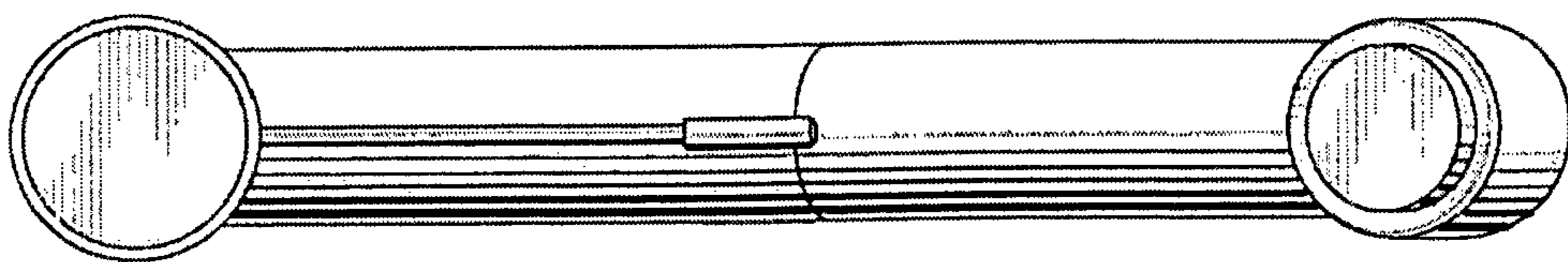
**1 Claim, 3 Drawing Sheets**



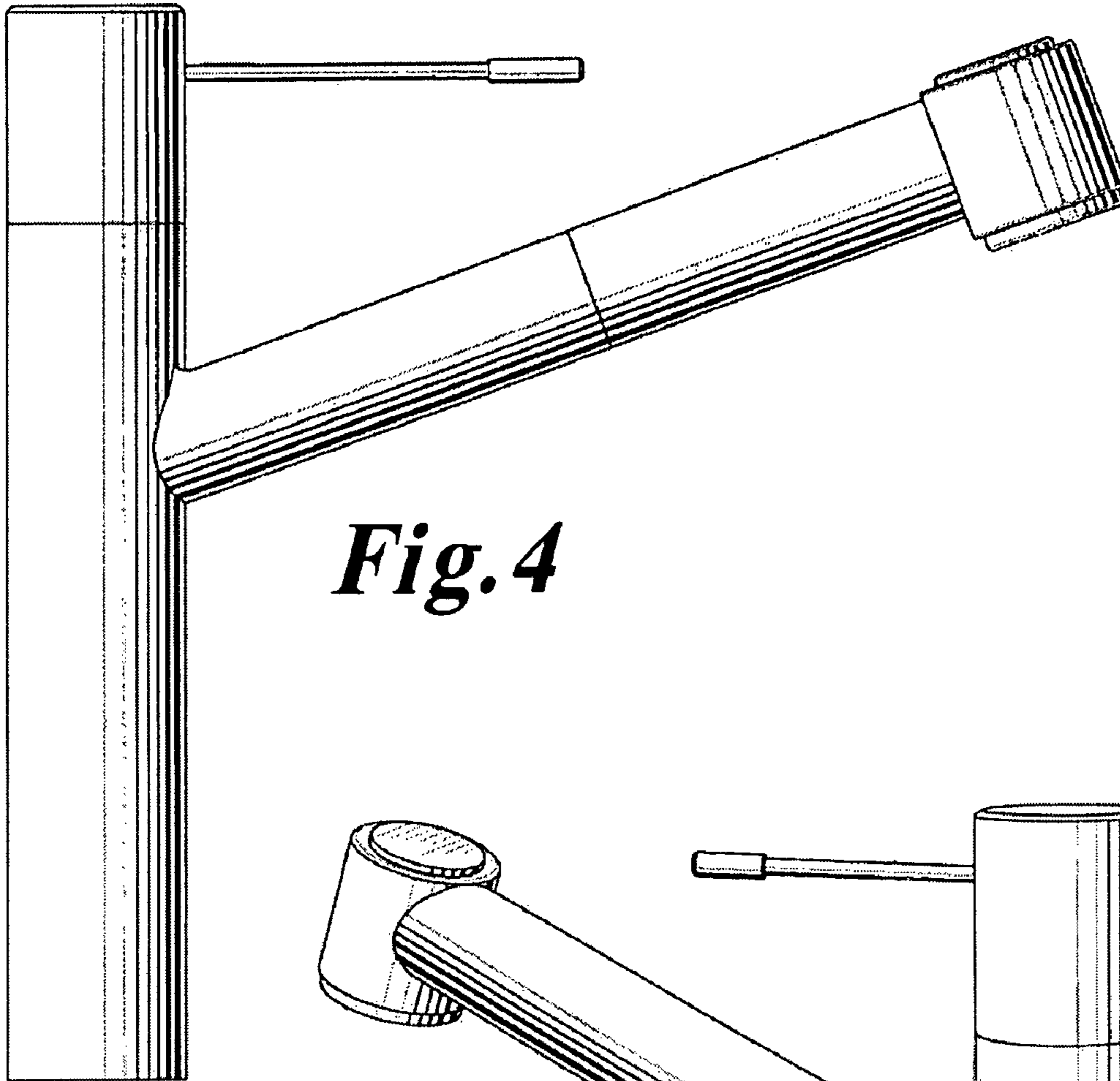


*Fig. 1*

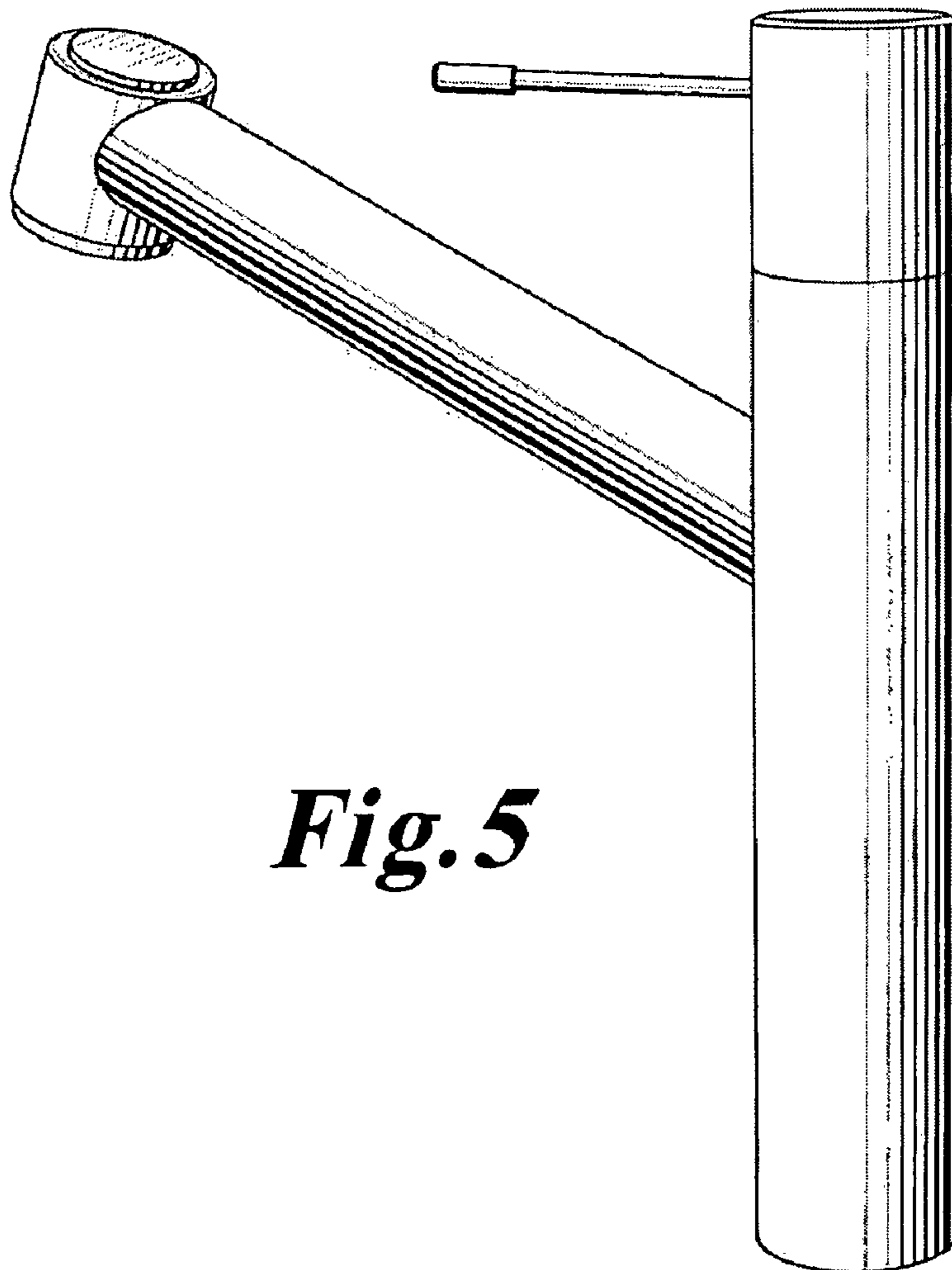
*Fig. 2*



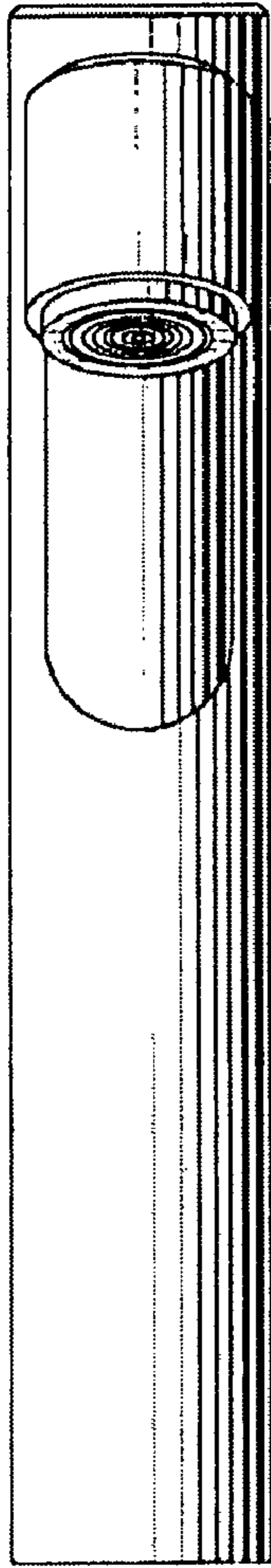
*Fig. 3*



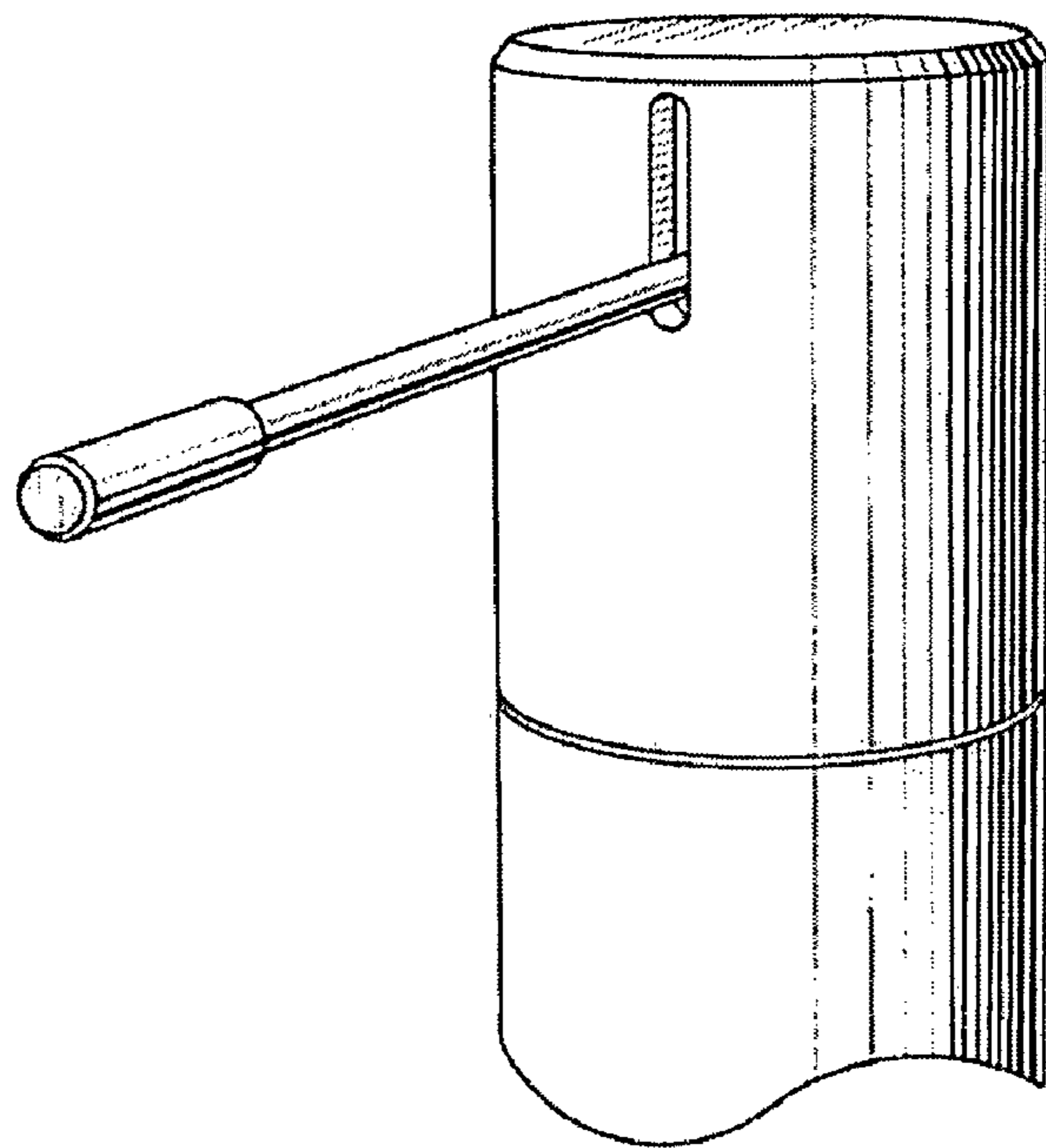
*Fig. 4*



*Fig. 5*



***Fig. 6***



***Fig. 7***