

US00D591395S

(12) **United States Design Patent**
Lobermeier

(10) **Patent No.:** **US D591,395 S**
(45) **Date of Patent:** **** Apr. 28, 2009**

(54) **SPRAY HEAD**

(75) Inventor: **Hans Lobermeier**, Menden (DE)

(73) Assignee: **Grohe AG**, Hemer (DE)

(**) Term: **14 Years**

(21) Appl. No.: **29/322,899**

(22) Filed: **Aug. 14, 2008**

(30) **Foreign Application Priority Data**

Feb. 14, 2008 (EP) 000878889-0010

(51) **LOC (9) Cl.** **23-01**

(52) **U.S. Cl.** **D23/213; D23/229**

(58) **Field of Classification Search** **D23/213,**
D23/223, 229-230; 239/282-283; 4/567,
4/615

See application file for complete search history.

(56) **References Cited**

U.S. PATENT DOCUMENTS

D333,338 S * 2/1993 Klose D23/213

D486,556 S * 2/2004 Lobermeier D23/229

D538,390 S * 3/2007 Sallick et al. D23/213

* cited by examiner

Primary Examiner—Robin V Webster

(74) *Attorney, Agent, or Firm*—Muncy, Geissler, Olds & Lowe, PLLC

(57) **CLAIM**

The ornamental design of a spray head, as shown and described.

DESCRIPTION

FIG. 1 is a perspective view of a spray head of the present invention;

FIG. 2 is a left side elevational view of the spray head of FIG. 1;

FIG. 3 is a right side elevational view of the spray head of FIG. 1;

FIG. 4 is a rear elevational view of the spray head of FIG. 1;

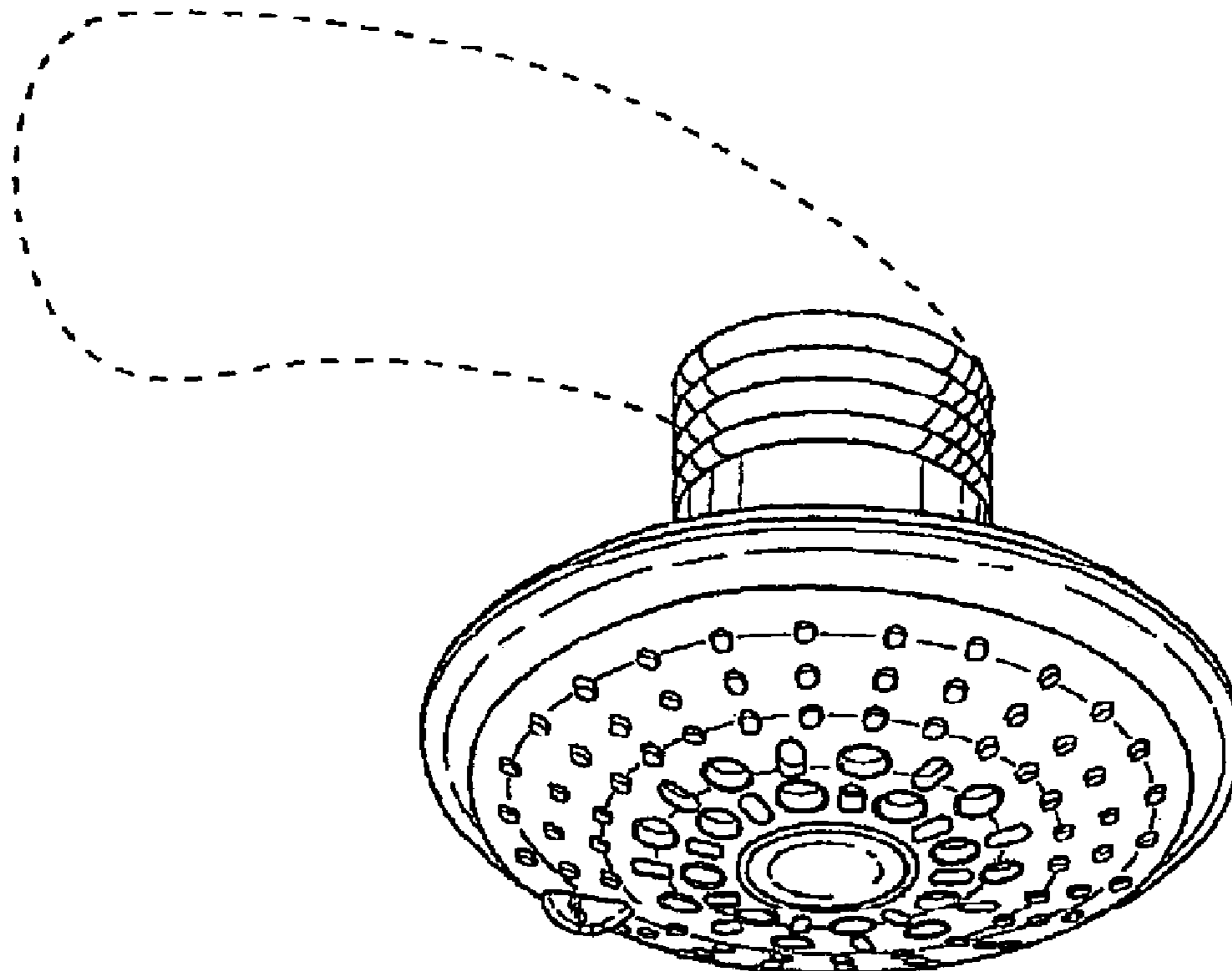
FIG. 5 is a front elevational view of the spray head of FIG. 1;

FIG. 6 is a bottom plan view of the spray head of FIG. 1; and,

FIG. 7 is a top plan view of the spray head of FIG. 1.

The dashed lines illustrate environment that does not form a part of the present invention, and no claim is made to the material illustrated with dashed lines.

1 Claim, 7 Drawing Sheets



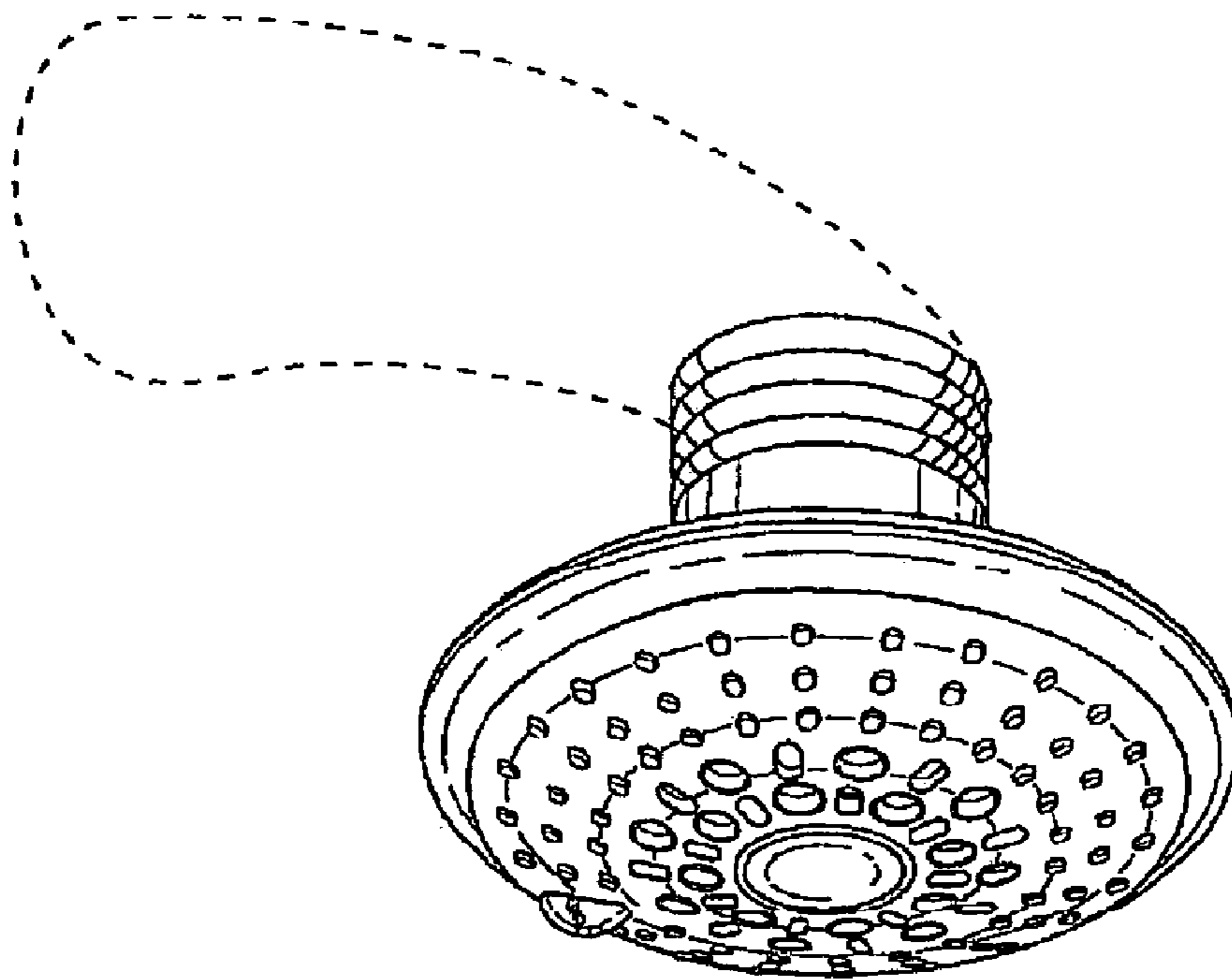


FIG. 1

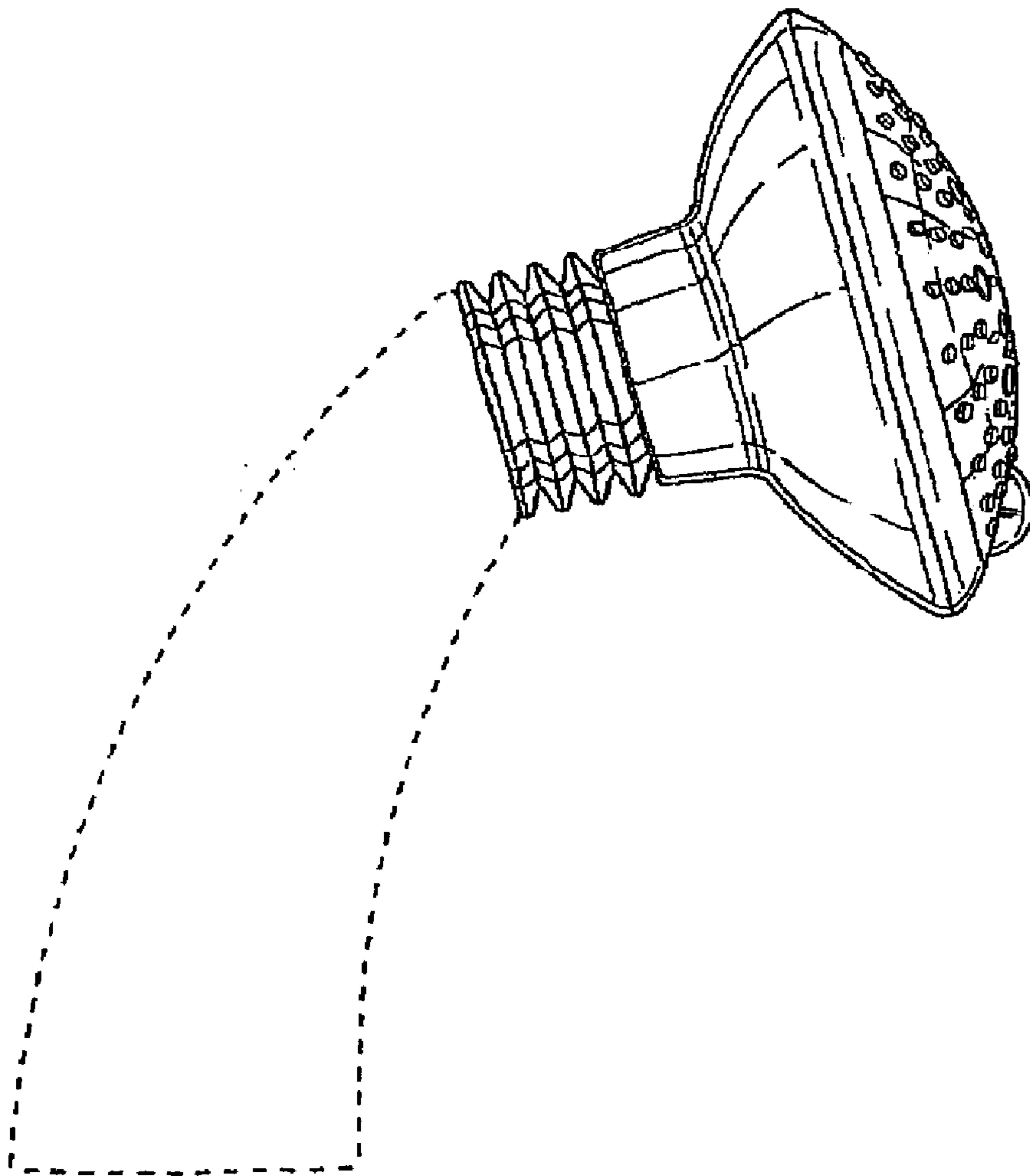


FIG. 2

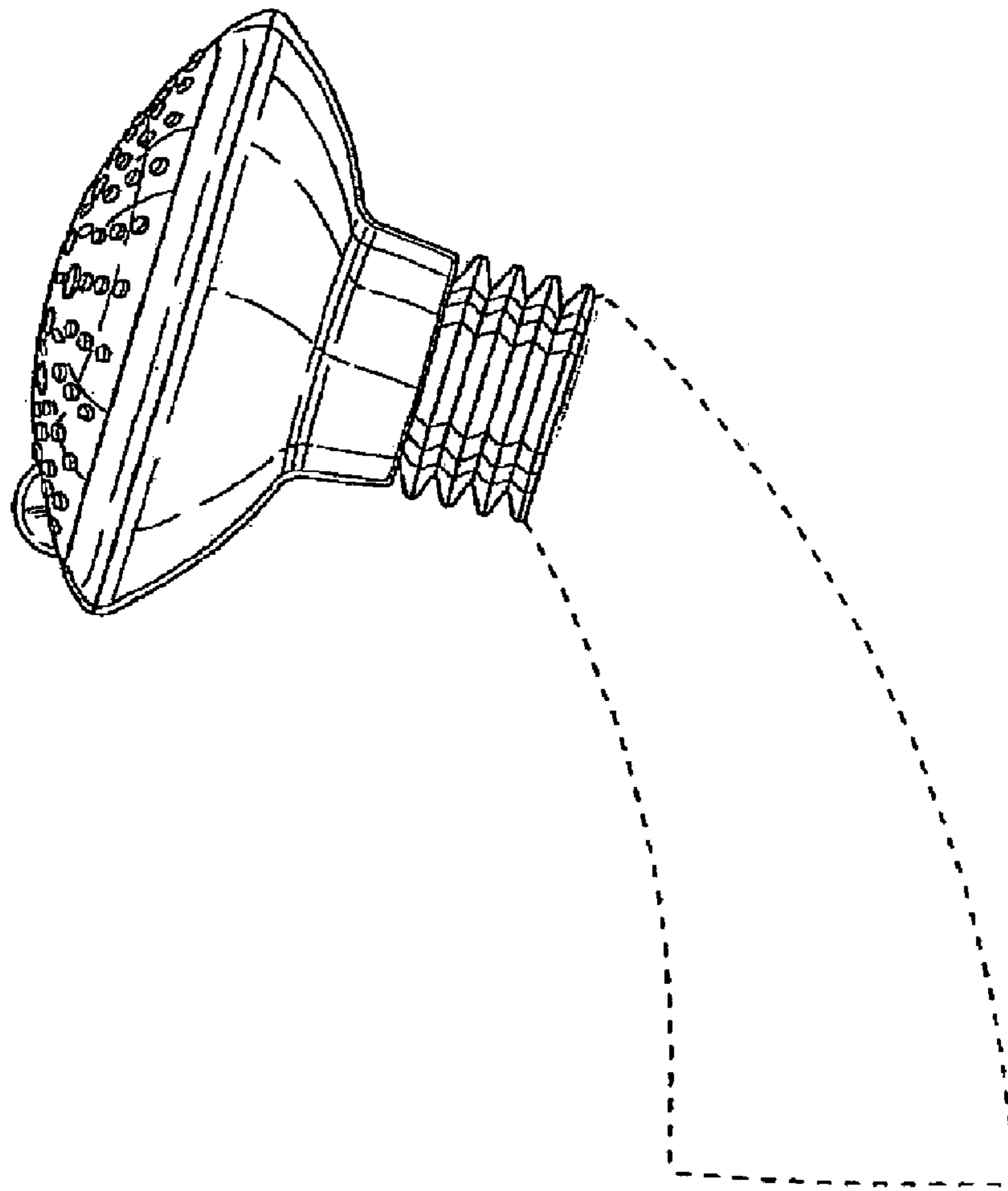


FIG. 3

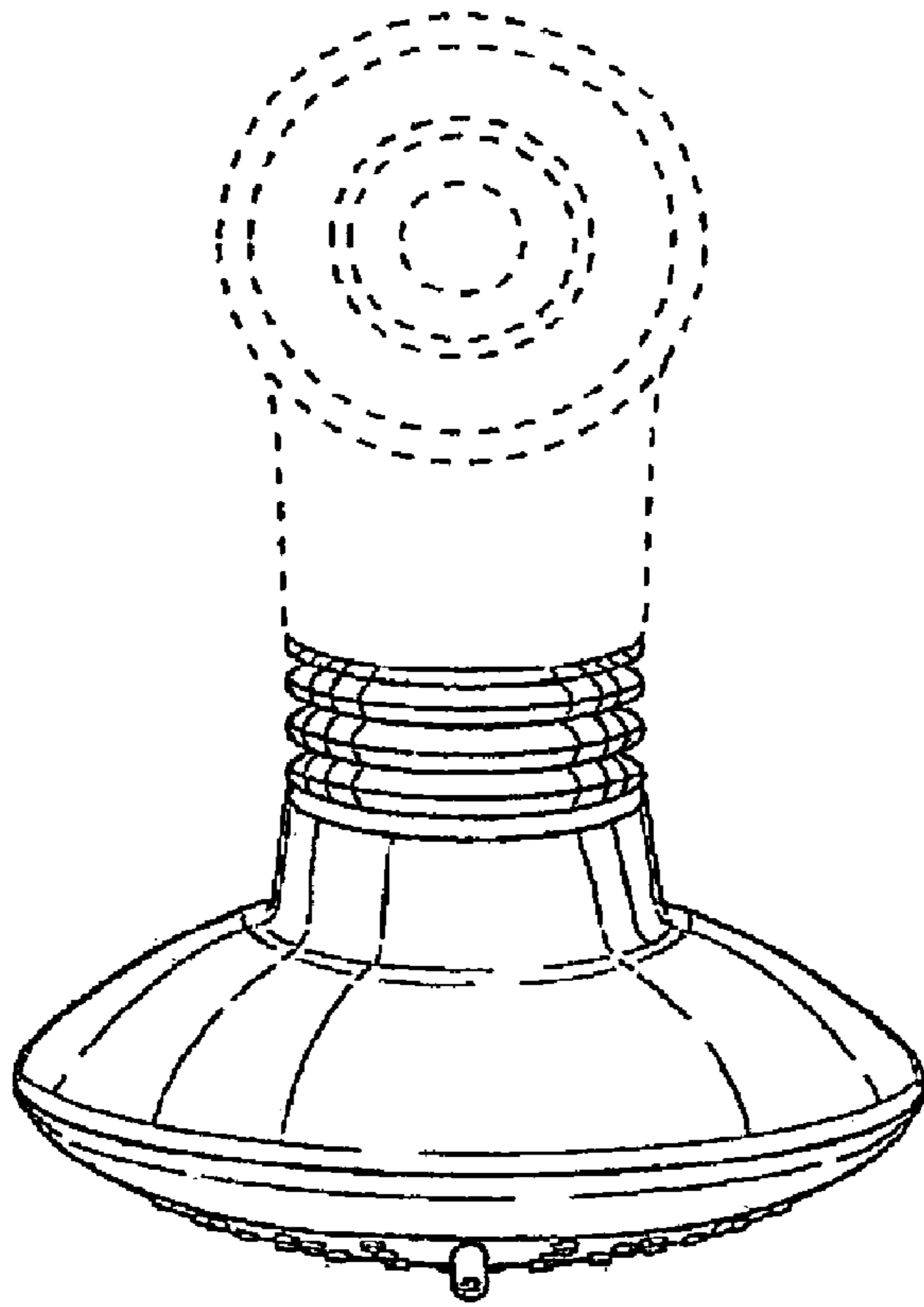


FIG. 4

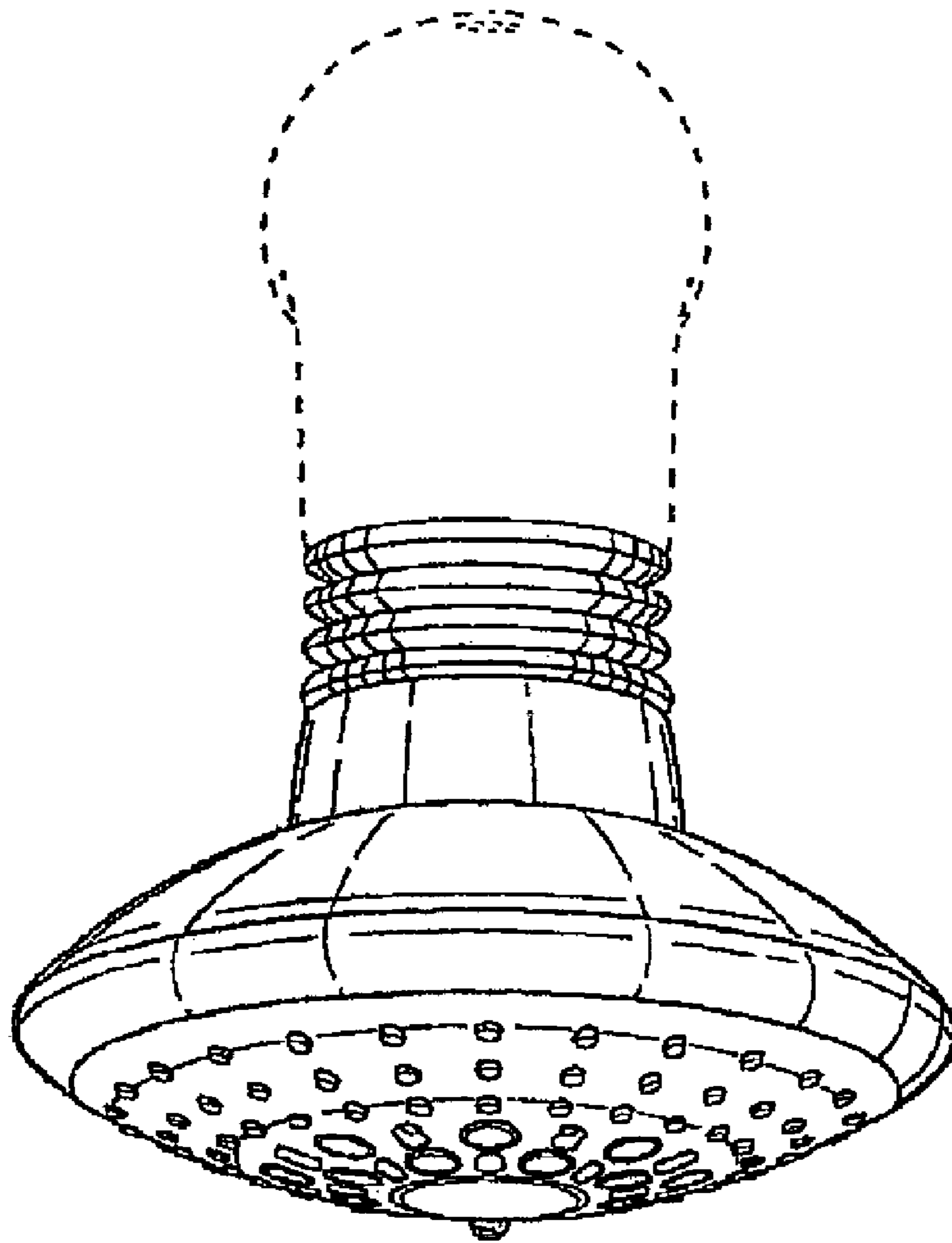


FIG. 5

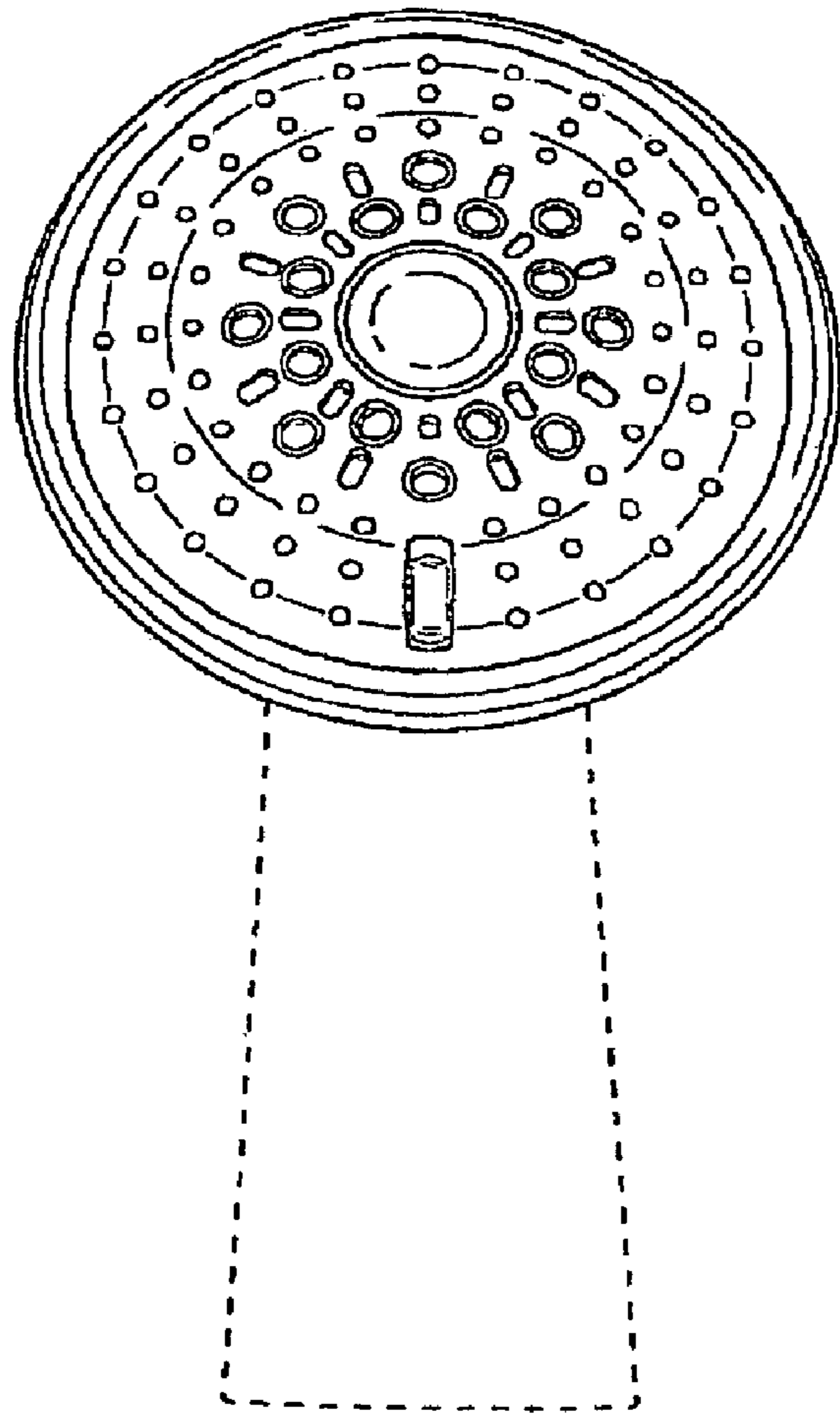


FIG. 6

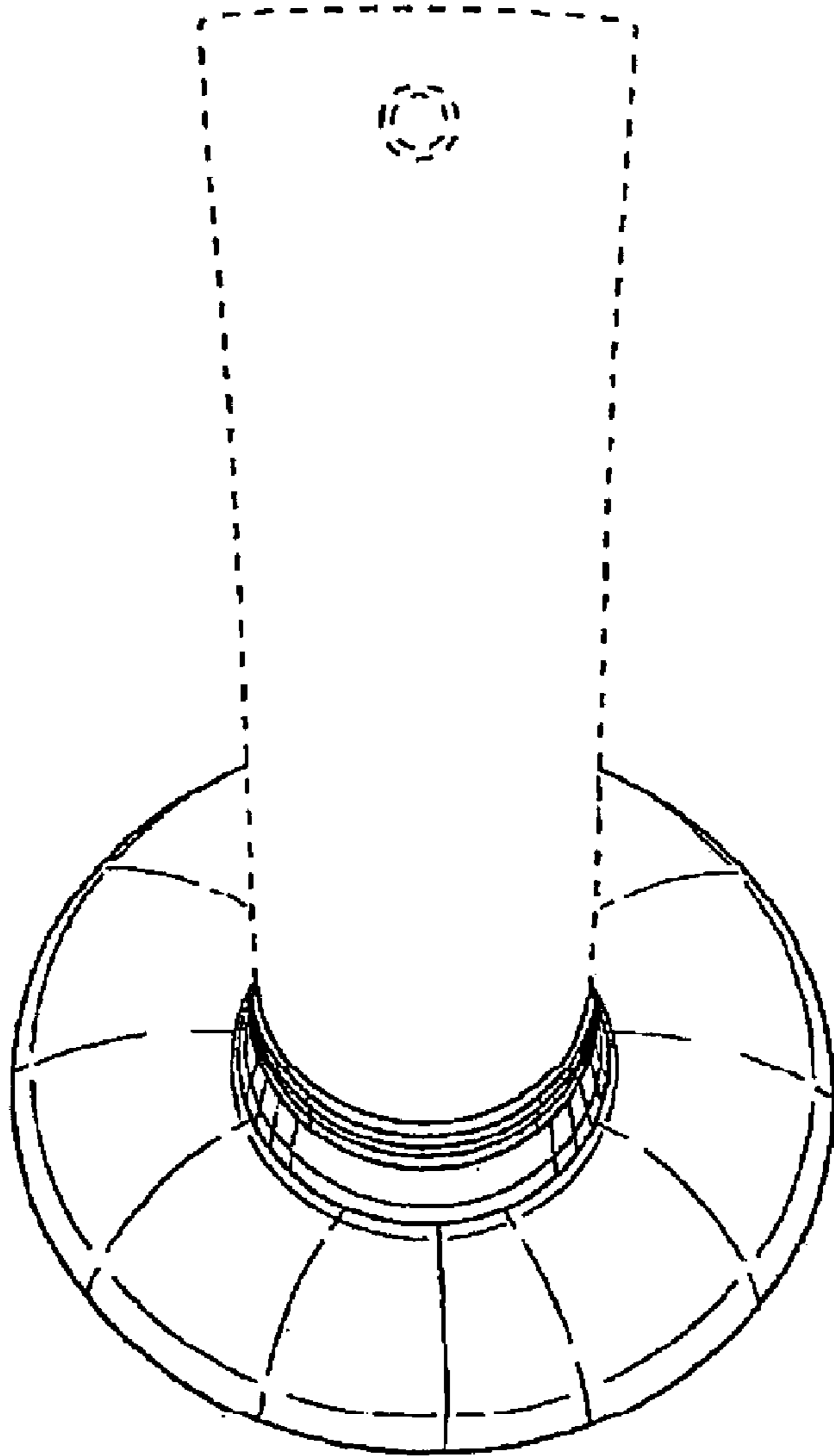


FIG. 7

UNITED STATES PATENT AND TRADEMARK OFFICE
CERTIFICATE OF CORRECTION

PATENT NO. : Des. 591,395 S
APPLICATION NO. : 29/322899
DATED : April 28, 2009
INVENTOR(S) : Lobermeier

Page 1 of 1

It is certified that error appears in the above-identified patent and that said Letters Patent is hereby corrected as shown below:

On Title Page, Item (30)

Change from:

(30) Foreign Application Priority Data

Feb. 14, 2008 (EP)000878889-0010

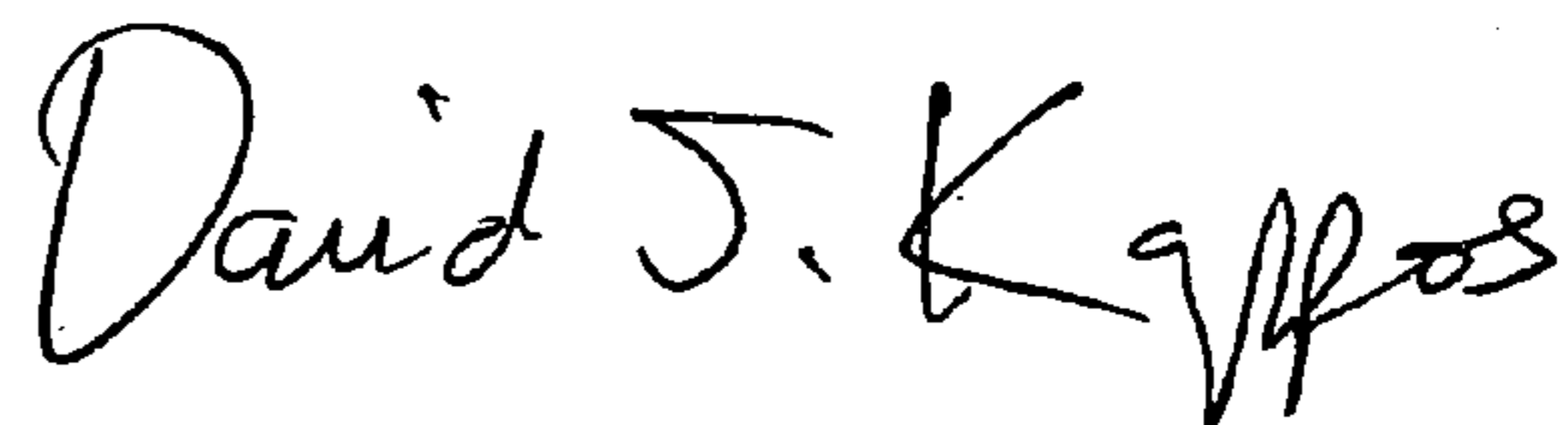
To:

(30) Foreign Application Priority Data

Feb. 14, 2008 (EU)000878889-0010

Signed and Sealed this

Thirtieth Day of March, 2010



David J. Kappos
Director of the United States Patent and Trademark Office