



US00D591394S

(12) **United States Design Patent**
Ugone

(10) **Patent No.:** **US D591,394 S**
(45) **Date of Patent:** **** Apr. 28, 2009**

(54) **WATERING CAN COMPRISING A ROSE DOCKING STATION, GLOVE MOUNTS, FERTILIZER CONTAINMENT CHAMBER, MEASURING SPOON AND MEASURING TUBE**

6,799,700 B2 10/2004 Durant et al.
D505,182 S * 5/2005 Durant et al. D23/212
7,011,235 B2 * 3/2006 Pasquariello 222/133
D525,340 S * 7/2006 Durant D23/212
7,216,780 B2 5/2007 Durant et al.

(76) Inventor: **James Ugone**, 10 South St., Ste. 209, Topsfield, MA (US) 01983

* cited by examiner

(**) Term: **14 Years**

Primary Examiner—Robin V Webster
(74) *Attorney, Agent, or Firm*—Lambert & Associates; Gary E. Lambert

(21) Appl. No.: **29/331,699**

(57) **CLAIM**

(22) Filed: **Jan. 30, 2009**

The ornamental design for watering can comprising a rose docking station, glove mounts, fertilizer containment chamber, measuring spoon and measuring tube, as shown and described.

(51) **LOC (9) Cl.** **23-01**

(52) **U.S. Cl.** **D23/212; D8/2**

(58) **Field of Classification Search** D23/212;
239/289, 375-377; 222/465.1, 133, 1; D8/2
See application file for complete search history.

DESCRIPTION

(56) **References Cited**

U.S. PATENT DOCUMENTS

92,194 A * 7/1869 Kaiser 222/385
880,522 A * 3/1908 Gray 220/759
3,353,725 A * 11/1967 Caceres 222/456
4,030,664 A 6/1977 Tisbo et al.
D266,450 S * 10/1982 Swett et al. D23/212
4,392,594 A 7/1983 Swett et al.
D295,547 S * 5/1988 Cuning D23/212
4,901,878 A 2/1990 Humphries
5,722,570 A 3/1998 Sultzer, III et al.
D401,668 S * 11/1998 Kreizel D23/212
D459,431 S * 6/2002 Rosenberg D23/212

FIG. 1 is a top perspective view of a watering can comprising a rose docking station, glove mounts, fertilizer containment chamber, measuring spoon and measuring tube showing my new design;

FIG. 2 is a side elevation view thereof;

FIG. 3 is the opposite side elevation view thereof;

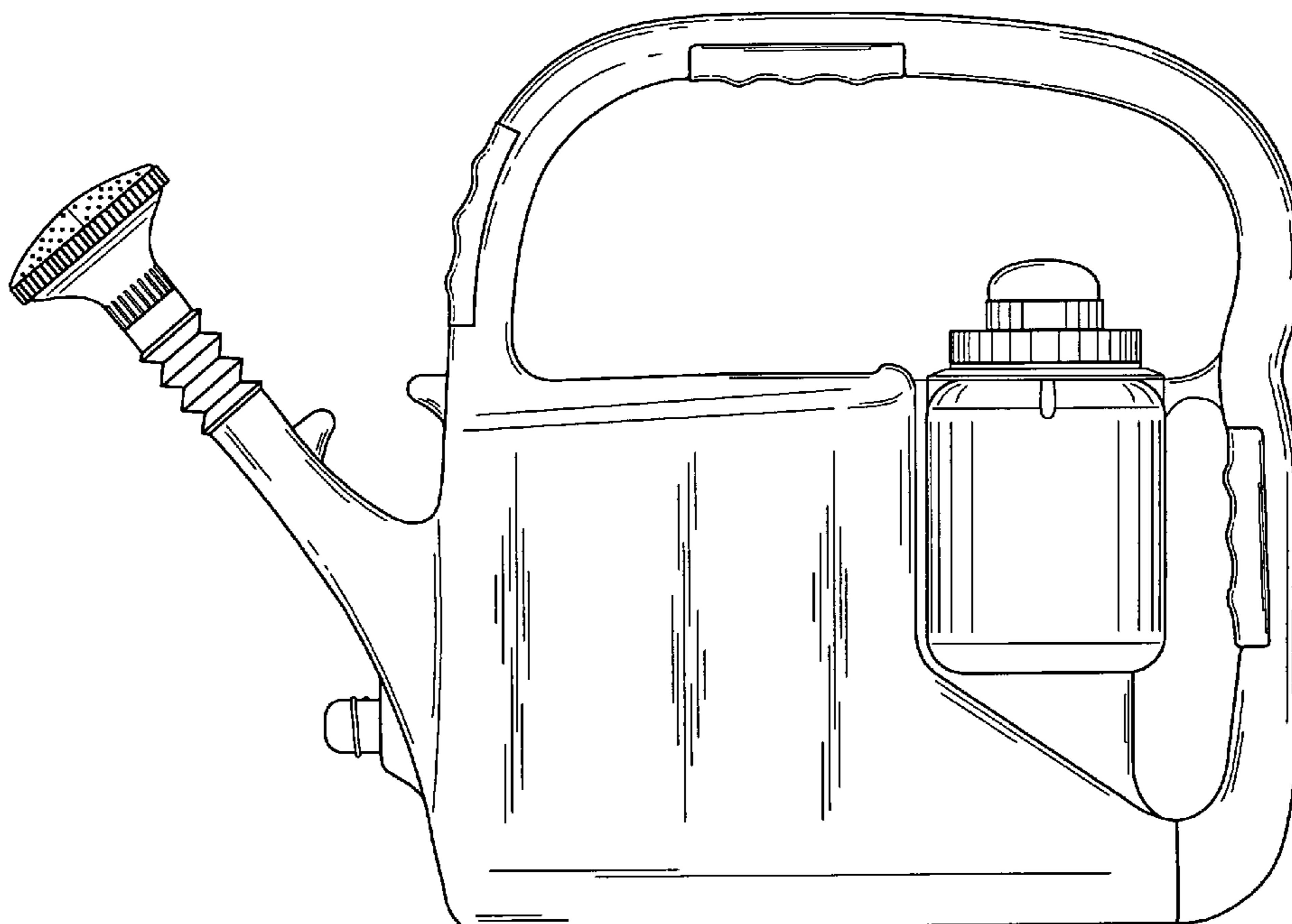
FIG. 4 is a front view thereof;

FIG. 5 is a rear view thereof;

FIG. 6 is a top plan view thereof; and,

FIG. 7 is a bottom view thereof.

1 Claim, 5 Drawing Sheets



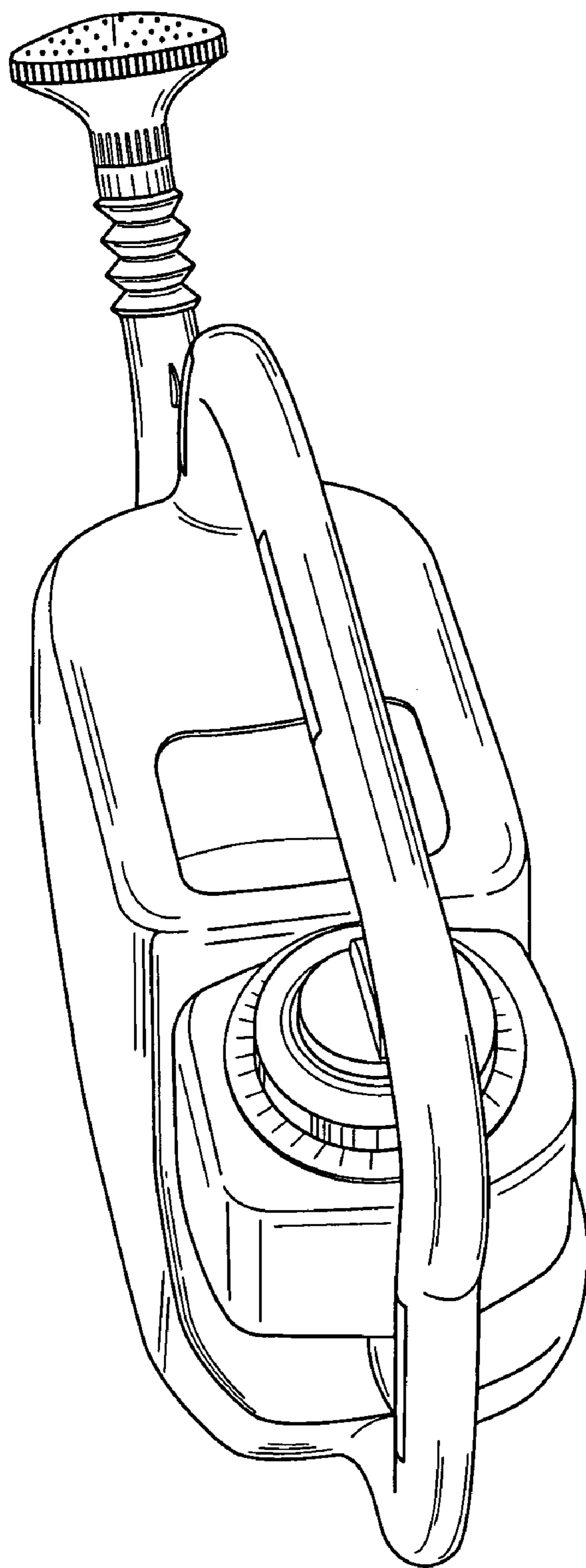


FIG. 1

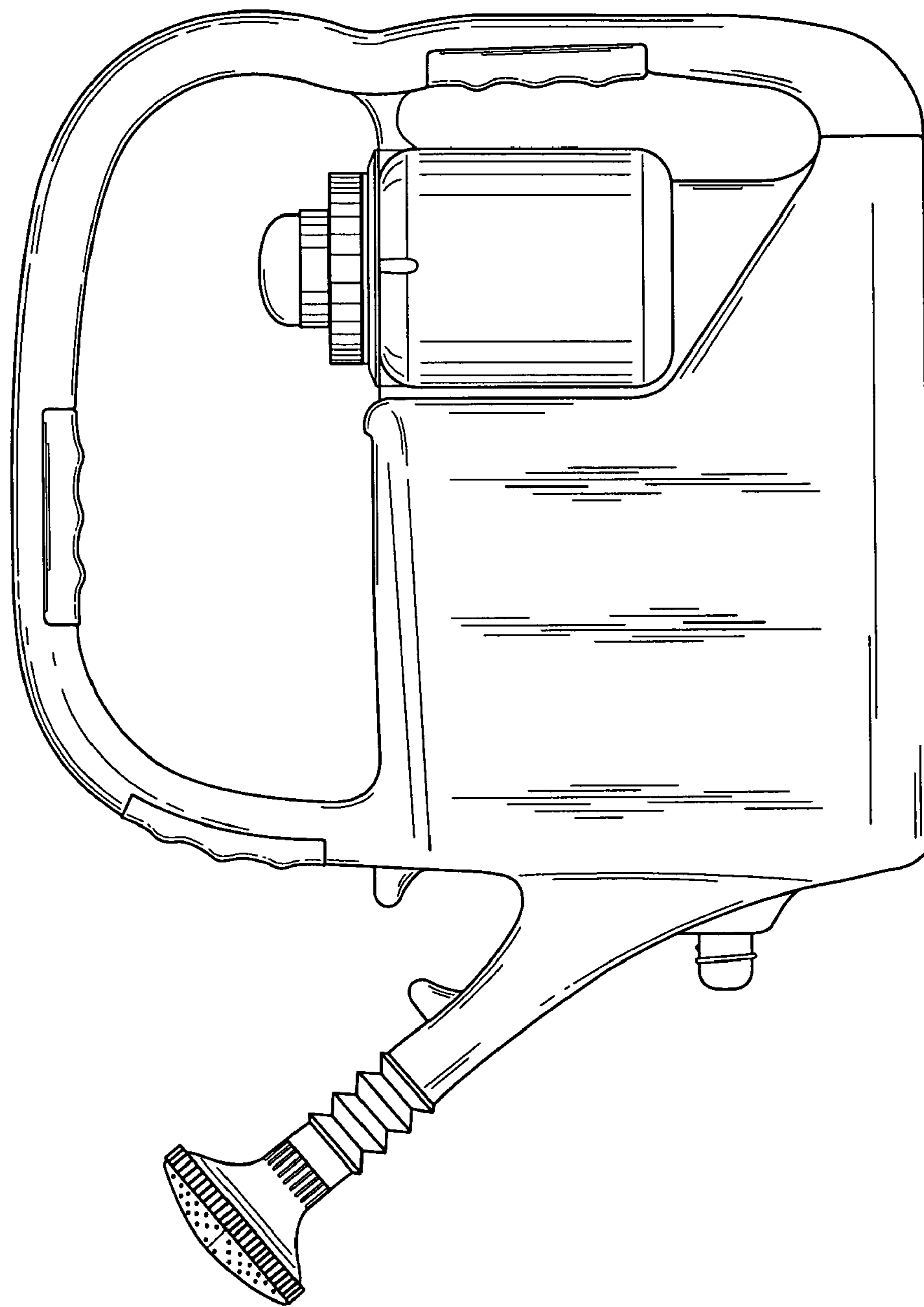


FIG. 2

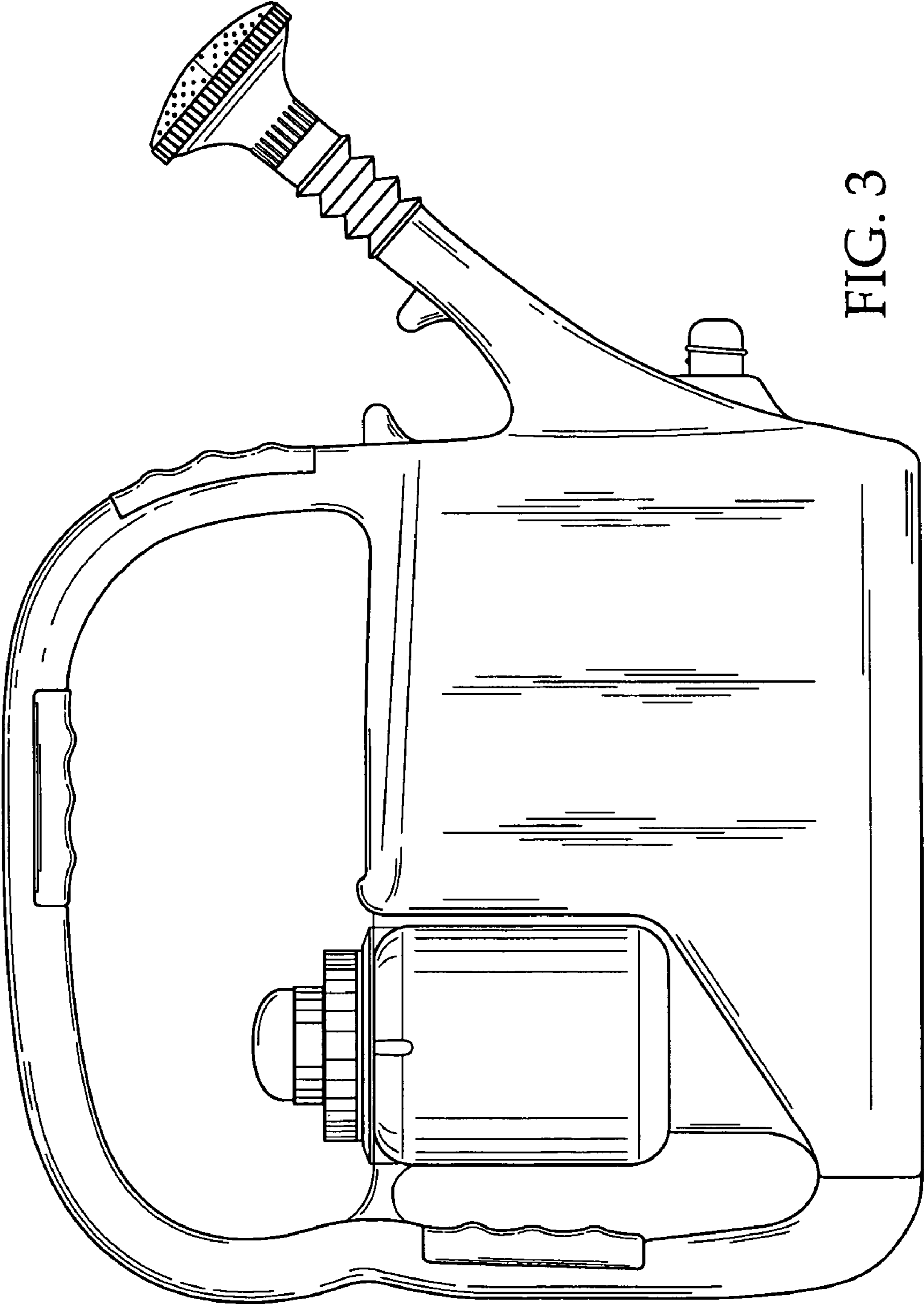


FIG. 3

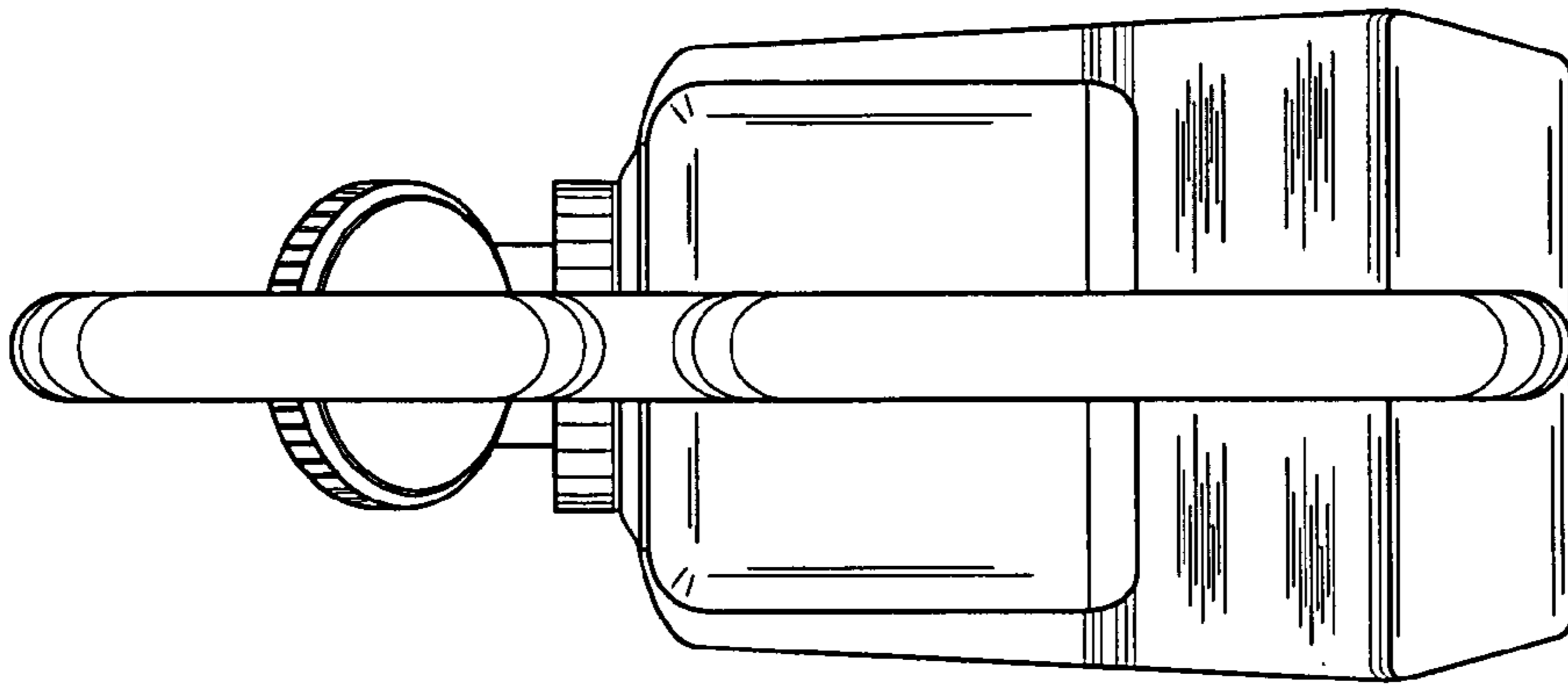


FIG. 5

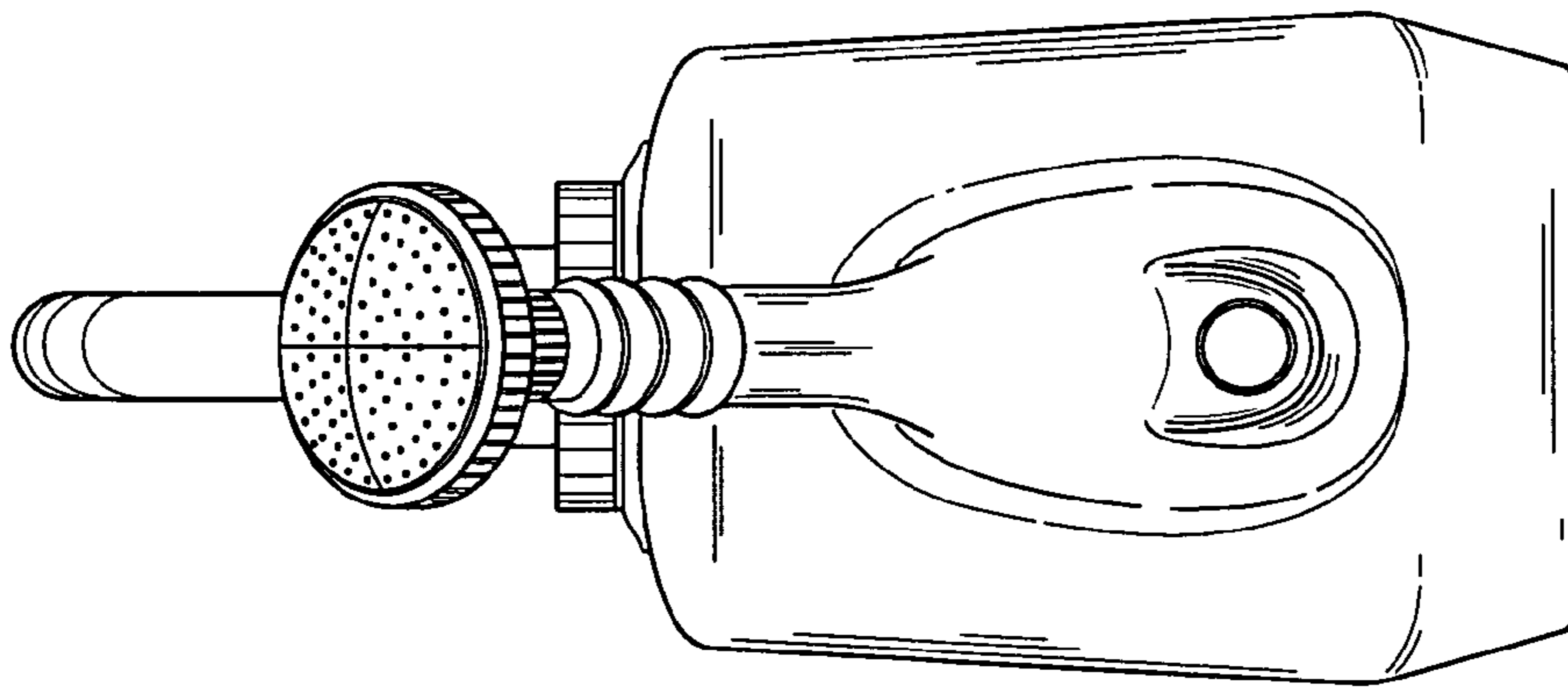


FIG. 4

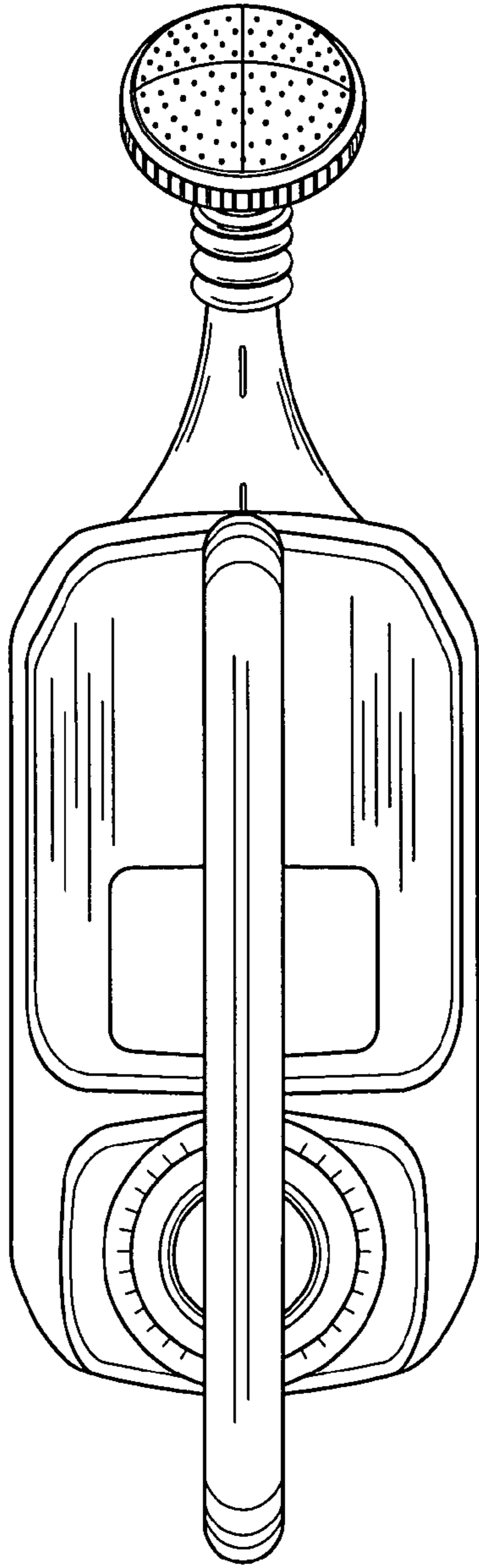


FIG. 6

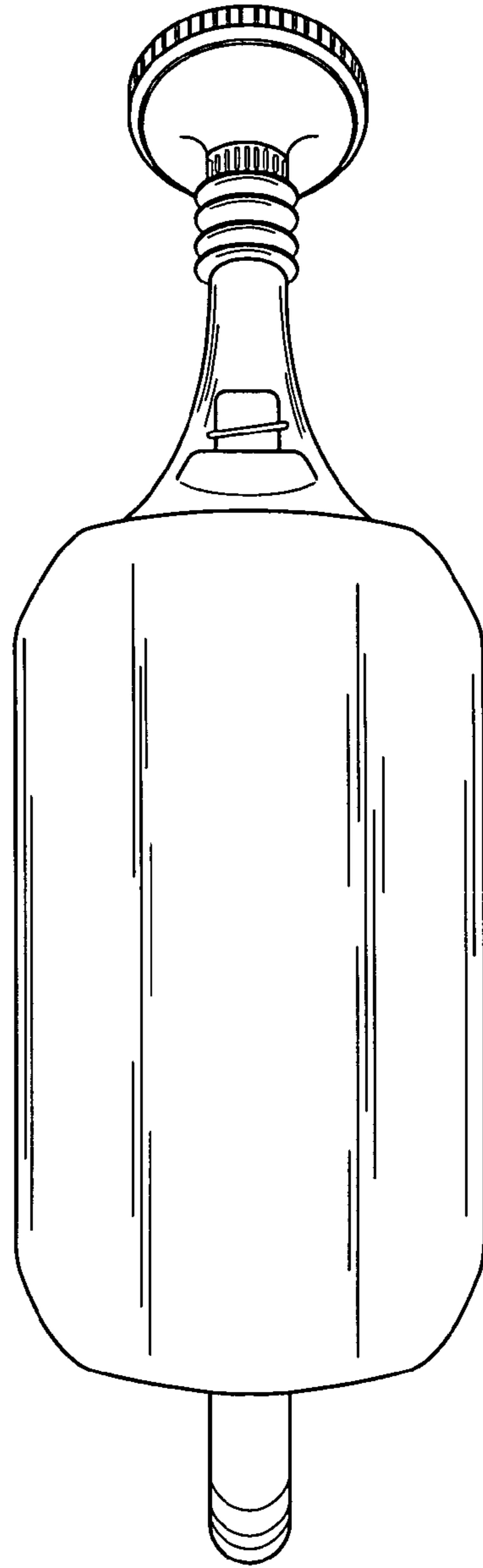


FIG. 7