



US00D591393S

(12) **United States Design Patent**
Ugone

(10) **Patent No.:** **US D591,393 S**
(45) **Date of Patent:** **** Apr. 28, 2009**

(54) **WATERING CAN COMPRISING A PUMP,
ROSE DOCKING STATION AND GLOVE
MOUNTS**

D525,340 S * 7/2006 Durant D23/212

* cited by examiner

Primary Examiner—Robin V Webster

(76) **Inventor:** **James Ugone**, 10 South Street, Ste. 209,
Topsfield, MA (US) 01983

(74) *Attorney, Agent, or Firm*—Lambert & Associates; Gary
E. Lambert

(**) **Term:** **14 Years**

(57) **CLAIM**

(21) **Appl. No.:** **29/325,906**

The ornamental design for a watering can comprising a pump,
rose docking station and glove mounts, as shown and
described.

(22) **Filed:** **Oct. 8, 2008**

(51) **LOC (9) Cl.** **23-01**

DESCRIPTION

(52) **U.S. Cl.** **D23/212**

FIG. 1 is an isometric perspective view of the watering can
displaying a pump chamber located next to a main fluid
containment chamber, an externally threaded rose docking
station extending from said main fluid containment chamber,
two glove mounting tabs and a first side mounted tool holding
chamber.

(58) **Field of Classification Search** D23/212;
239/289, 375–377; 222/465.1, 133, 1

See application file for complete search history.

(56) **References Cited**

U.S. PATENT DOCUMENTS

| | | | | | |
|-----------|------|---------|---------------|-------|---------|
| 92,194 | A * | 7/1869 | Kaiser | | 222/385 |
| 880,522 | A * | 3/1908 | Gray | | 220/759 |
| 3,353,725 | A * | 11/1967 | Caceres | | 222/456 |
| D266,450 | S * | 10/1982 | Swett et al. | | D23/212 |
| D295,547 | S * | 5/1988 | Cunning | | D23/212 |
| D401,668 | S * | 11/1998 | Kreizel | | D23/212 |
| D459,431 | S * | 6/2002 | Rosenberg | | D23/212 |
| D505,182 | S * | 5/2005 | Durant et al. | | D23/212 |
| 7,011,235 | B2 * | 3/2006 | Pasquariello | | 222/133 |

FIG. 2 is a side elevation view thereof,

FIG. 3 is the opposite side elevation view thereof;

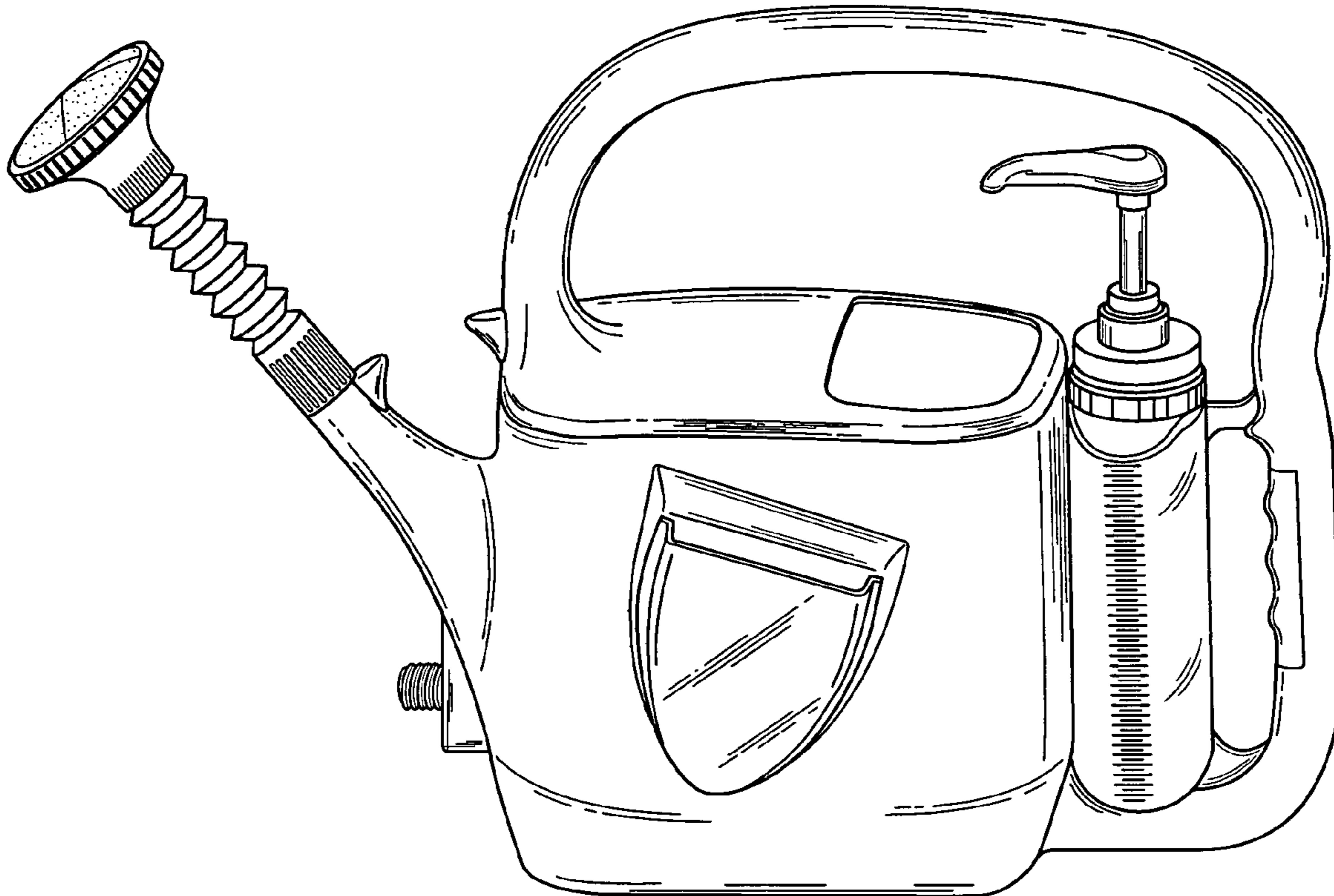
FIG. 4 is a front view thereof;

FIG. 5 is a rear view thereof;

FIG. 6 is a top plan view thereof; and,

FIG. 7 is a bottom view thereof.

1 Claim, 5 Drawing Sheets



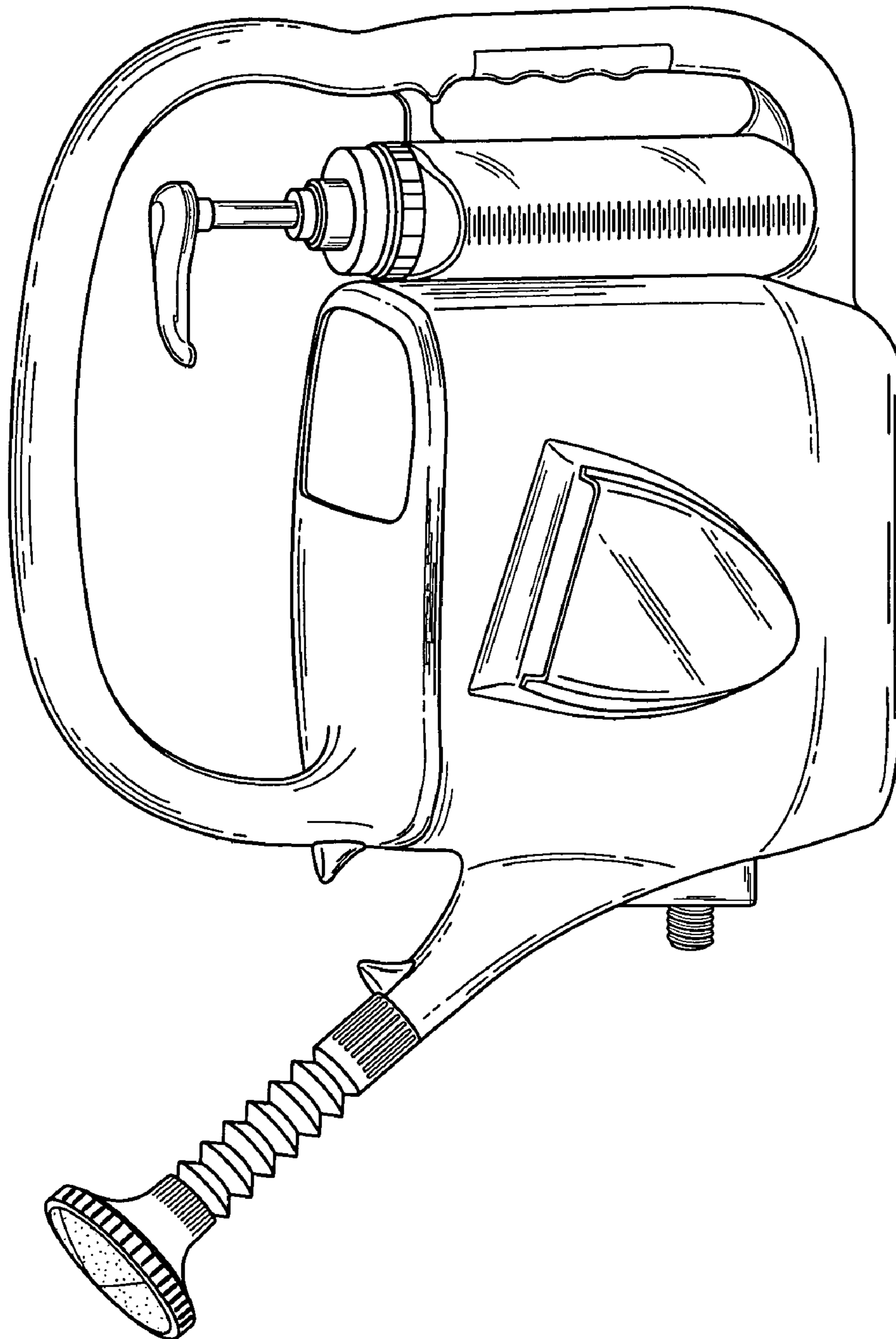


FIG. 1

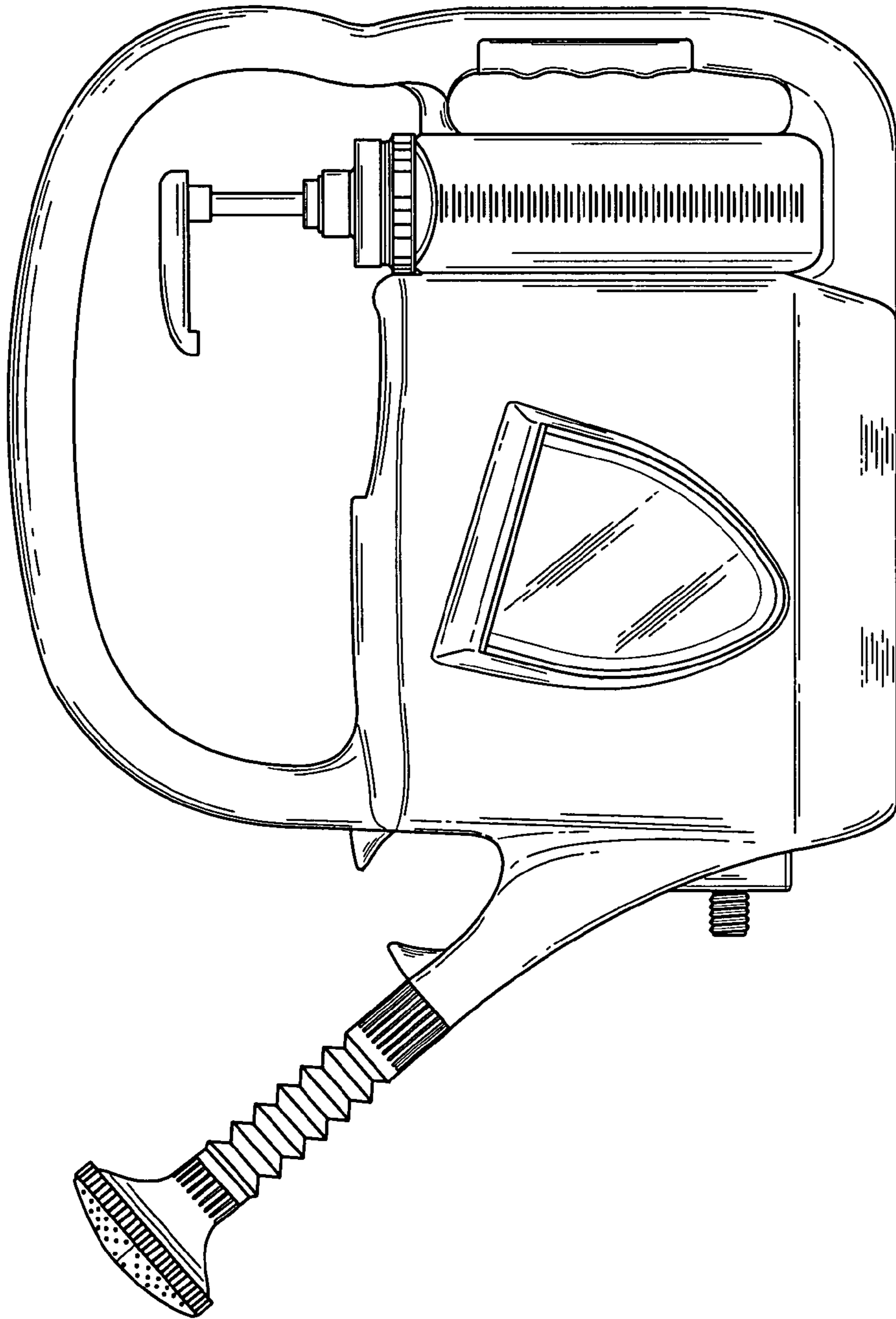


FIG. 2

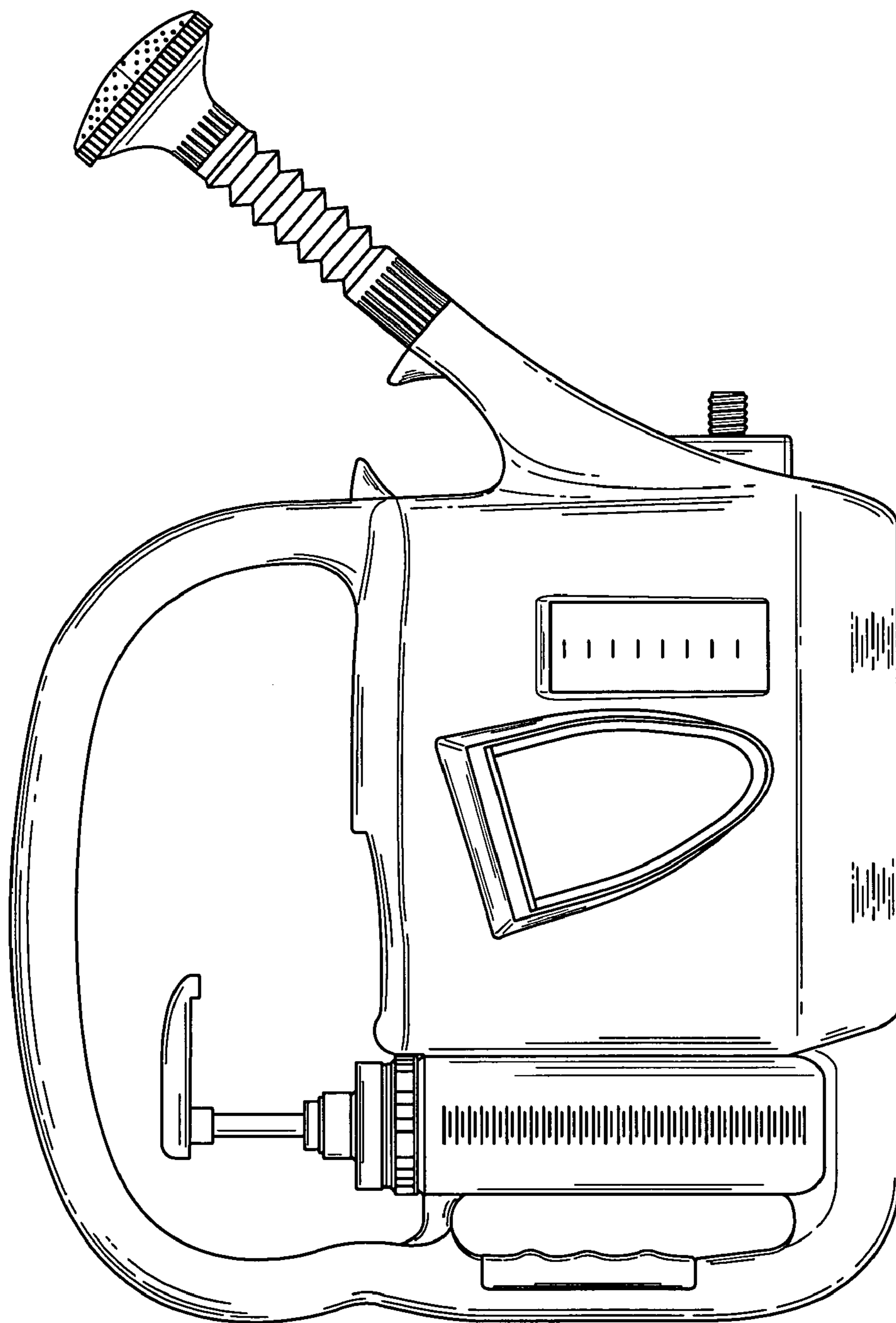


FIG. 3

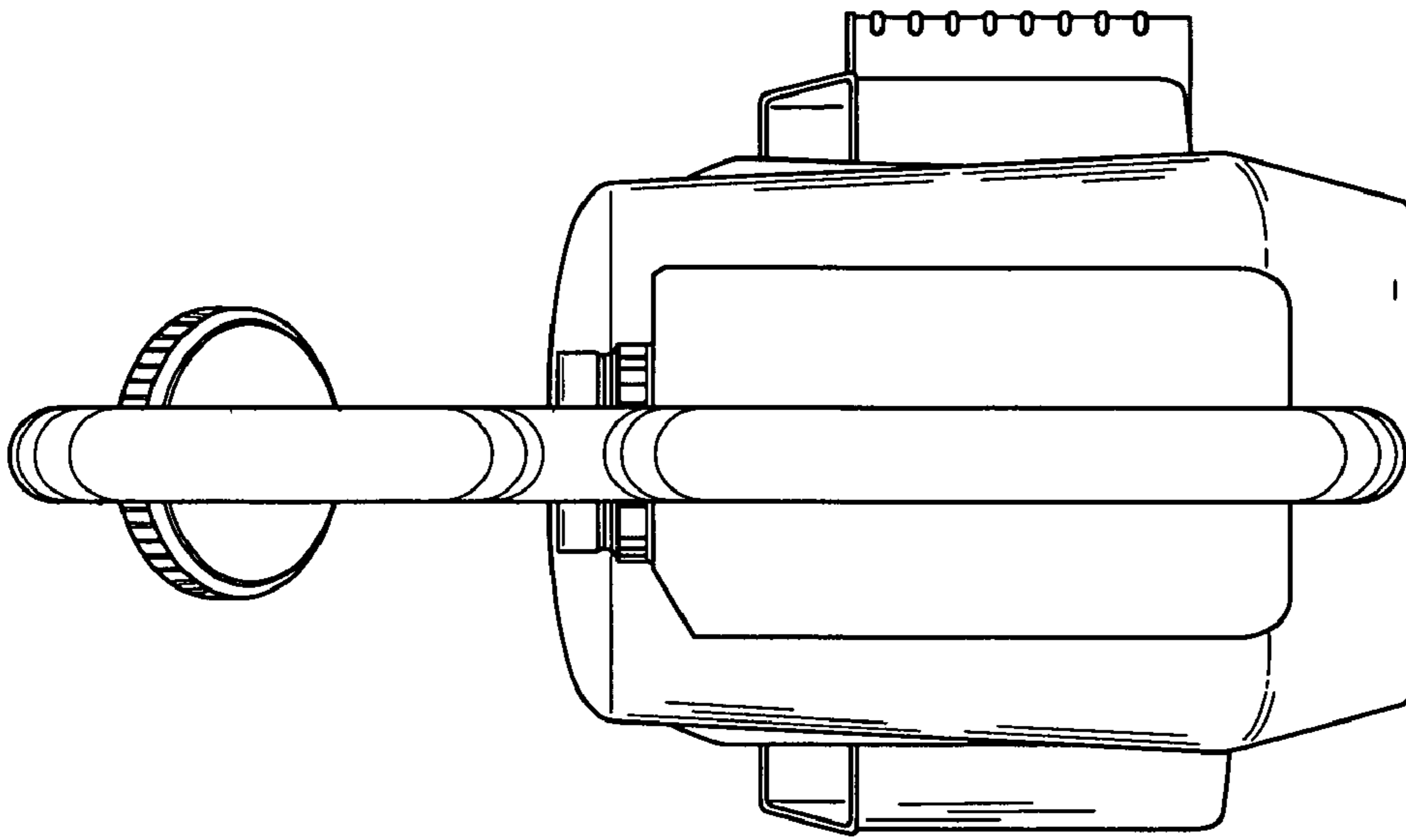


FIG. 5

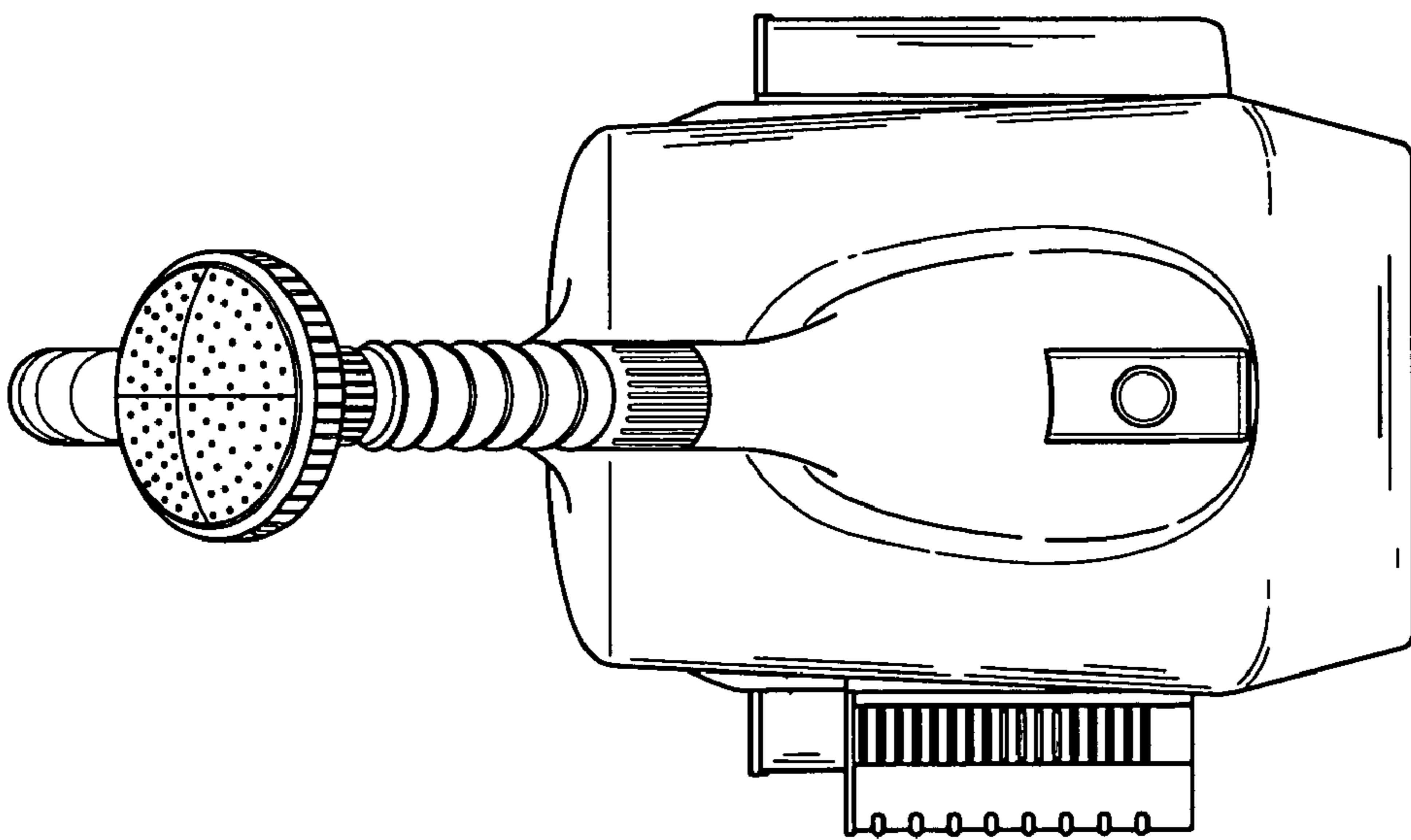


FIG. 4

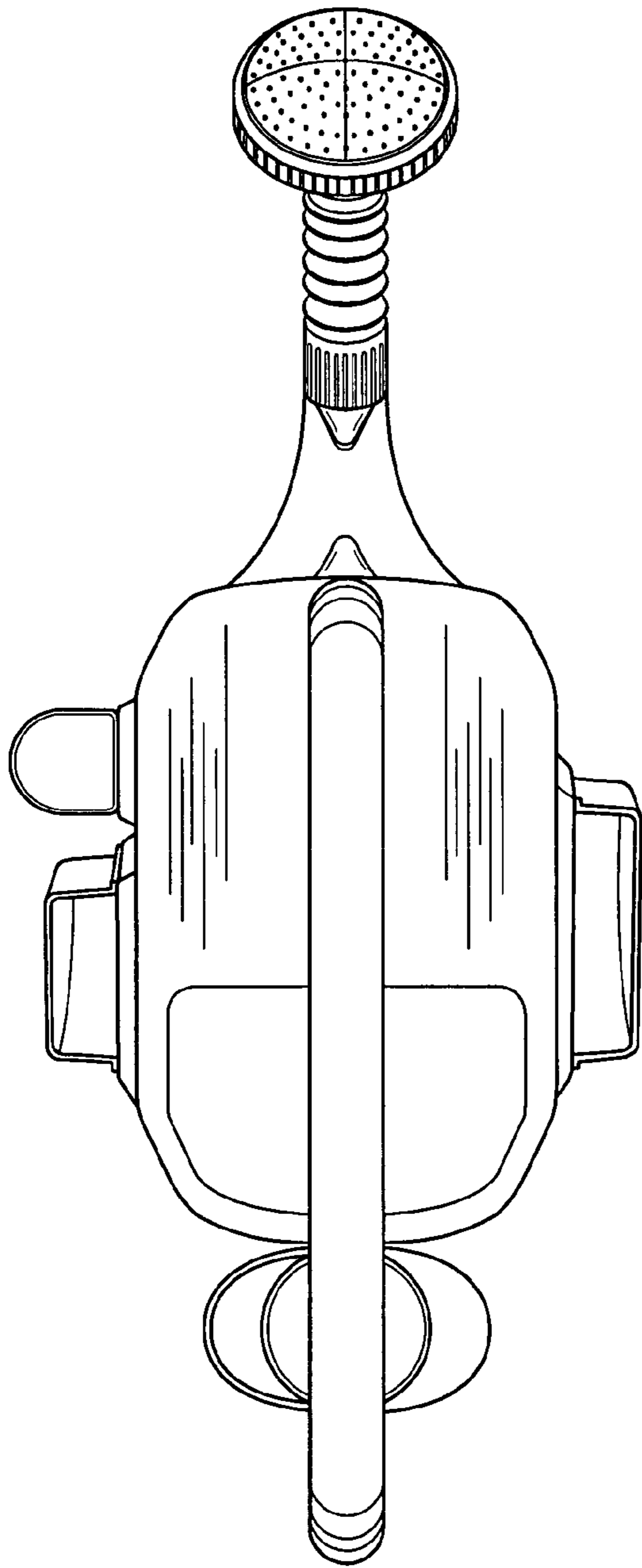


FIG. 6

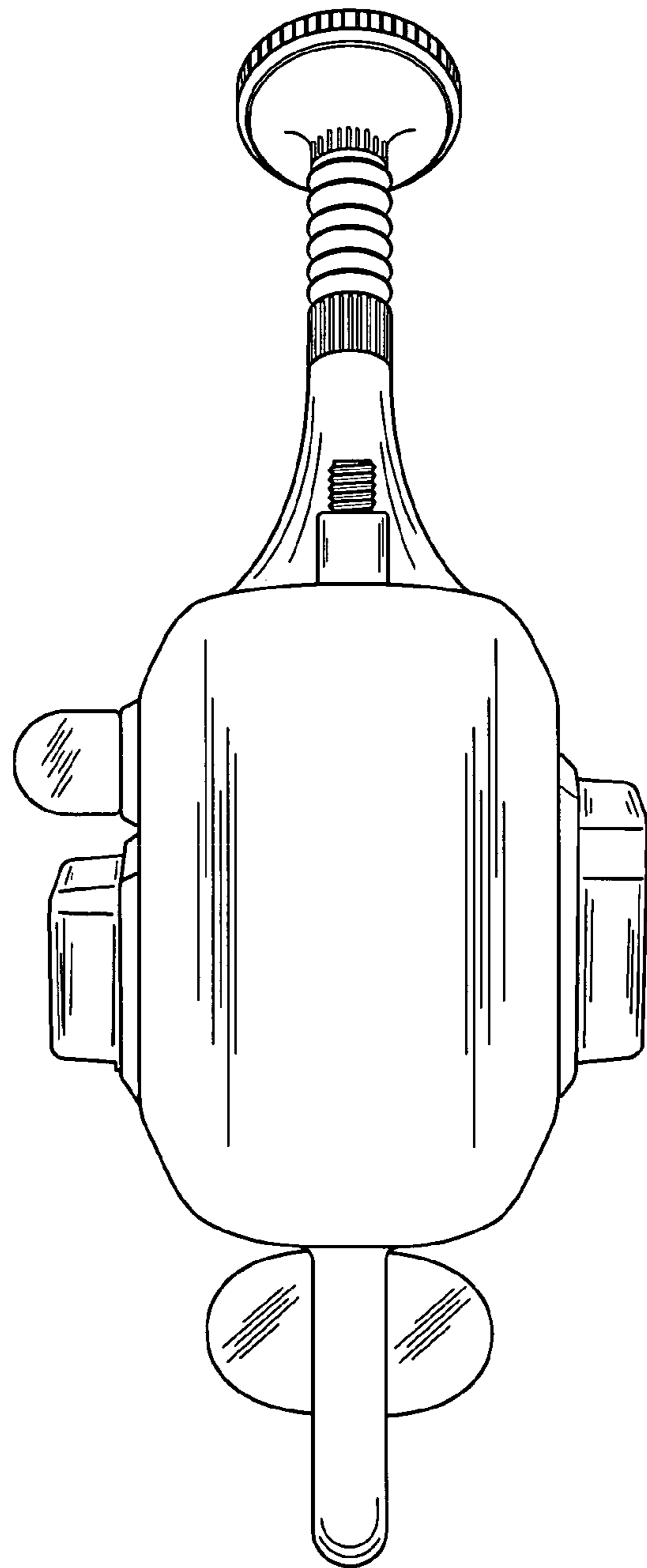


FIG. 7