



US00D591392S

(12) **United States Design Patent**
Ugone

(10) **Patent No.:** **US D591,392 S**
(45) **Date of Patent:** **** Apr. 28, 2009**

(54) **WATERING CAN COMPRISING A PUMP,
KNEE PAD, ROSE DOCKING STATION AND
GLOVE MOUNTS**

Primary Examiner—Robin V Webster
(74) *Attorney, Agent, or Firm*—Lambert & Associates; Gary E. Lambert

(76) **Inventor:** **James Ugone**, 10 South St., Ste. 209,
Topsfield, MA (US) 01983

(57) **CLAIM**

The ornamental design for a watering can comprising a pump, knee pad, rose docking station and glove mounts, as shown and described.

(**) **Term:** **14 Years**

(21) **Appl. No.:** **29/325,904**

(22) **Filed:** **Oct. 8, 2008**

(51) **LOC (9) Cl.** **23-01**

(52) **U.S. Cl.** **D23/212**

(58) **Field of Classification Search** D23/212;
239/289, 375–377; 222/465.1, 133, 1
See application file for complete search history.

DESCRIPTION

FIG. 1 is an isometric perspective view of the watering can comprising a pump, knee pad, rose docking station and glove mounts, displaying a knee pad containment chamber at the bottom of said watering can, a pump chamber located next to a main fluid containment chamber, an externally threaded rose docking station extending from said main fluid containment chamber, two glove mounting tabs and a first side mounted tool holding chamber.

FIG. 2 is a side elevation view thereof;

FIG. 3 is the opposite side elevation view thereof;

FIG. 4 is a front view thereof;

FIG. 5 is a rear view thereof;

FIG. 6 is a top plan view thereof; and,

FIG. 7 is a bottom view thereof.

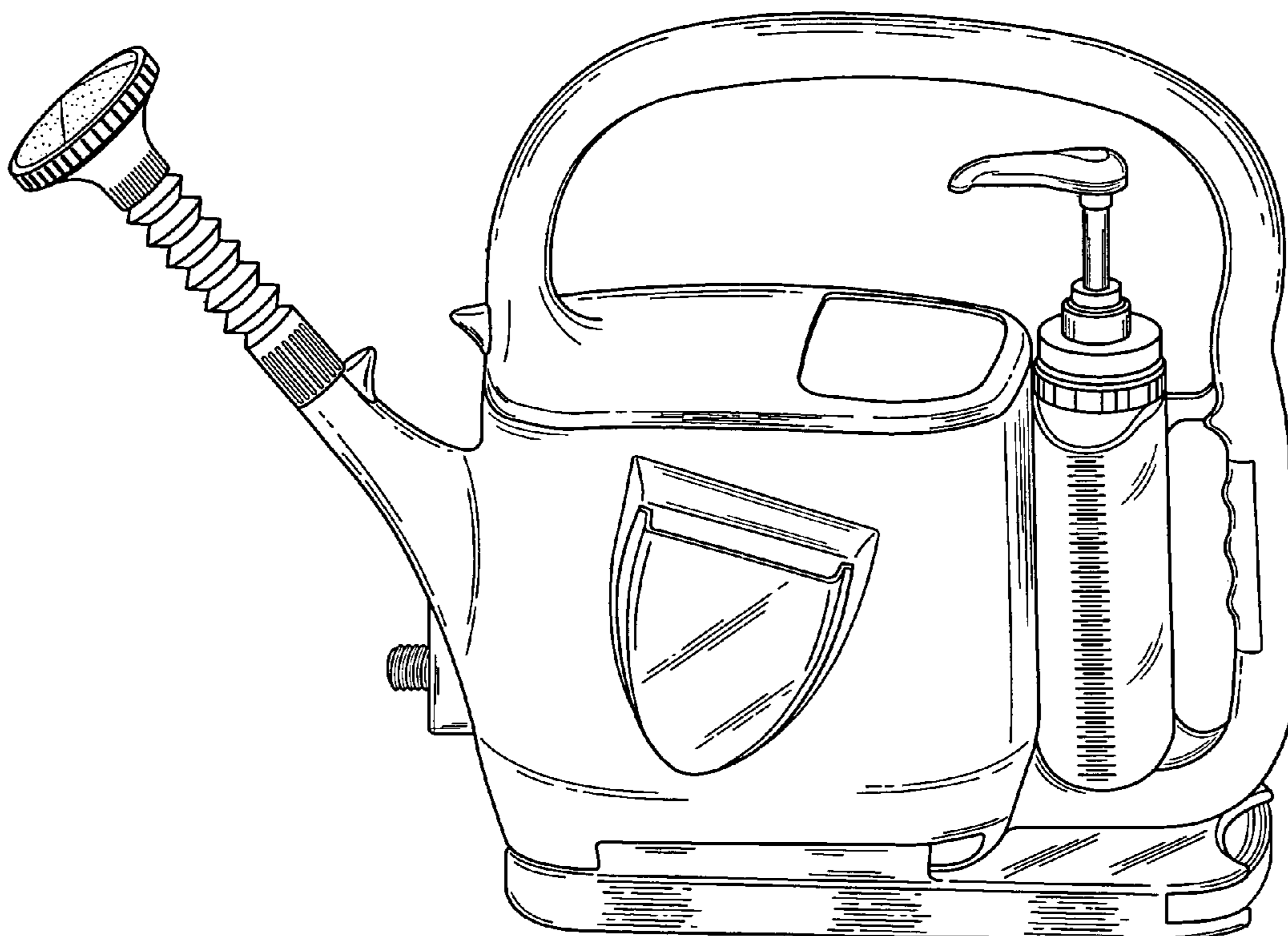
(56) **References Cited**

U.S. PATENT DOCUMENTS

92,194	A *	7/1869	Kaiser	222/385
880,522	A *	3/1908	Gray	220/759
3,353,725	A *	11/1967	Caceres	222/456
D266,450	S *	10/1982	Swett et al.	D23/212
D295,547	S *	5/1988	Cunning	D23/212
D401,668	S *	11/1998	Kreizel	D23/212
D459,431	S *	6/2002	Rosenberg	D23/212
D505,182	S *	5/2005	Durant et al.	D23/212
7,011,235	B2 *	3/2006	Pasquariello	222/133
D525,340	S *	7/2006	Durant	D23/212

* cited by examiner

1 Claim, 5 Drawing Sheets



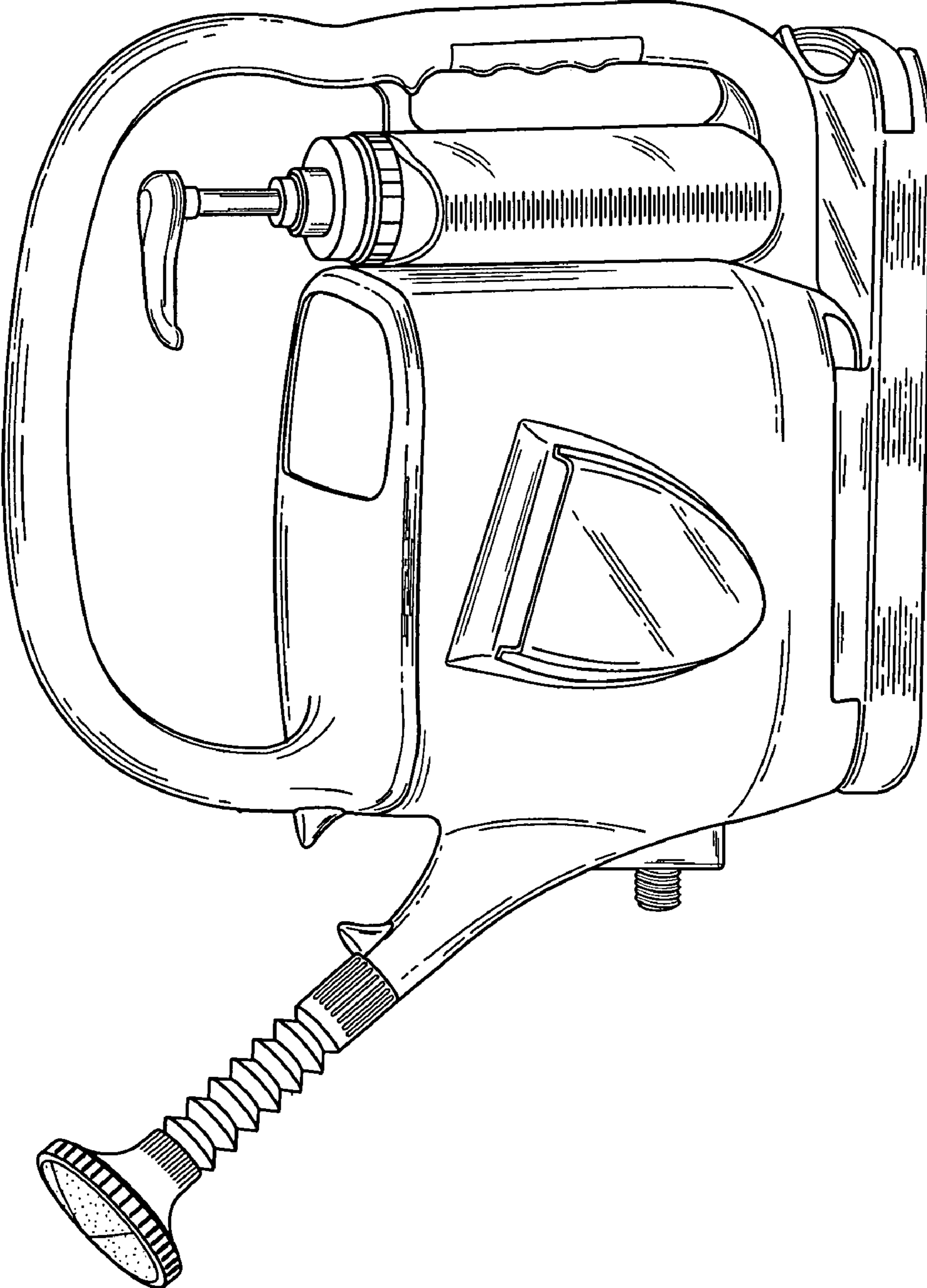


FIG. 1

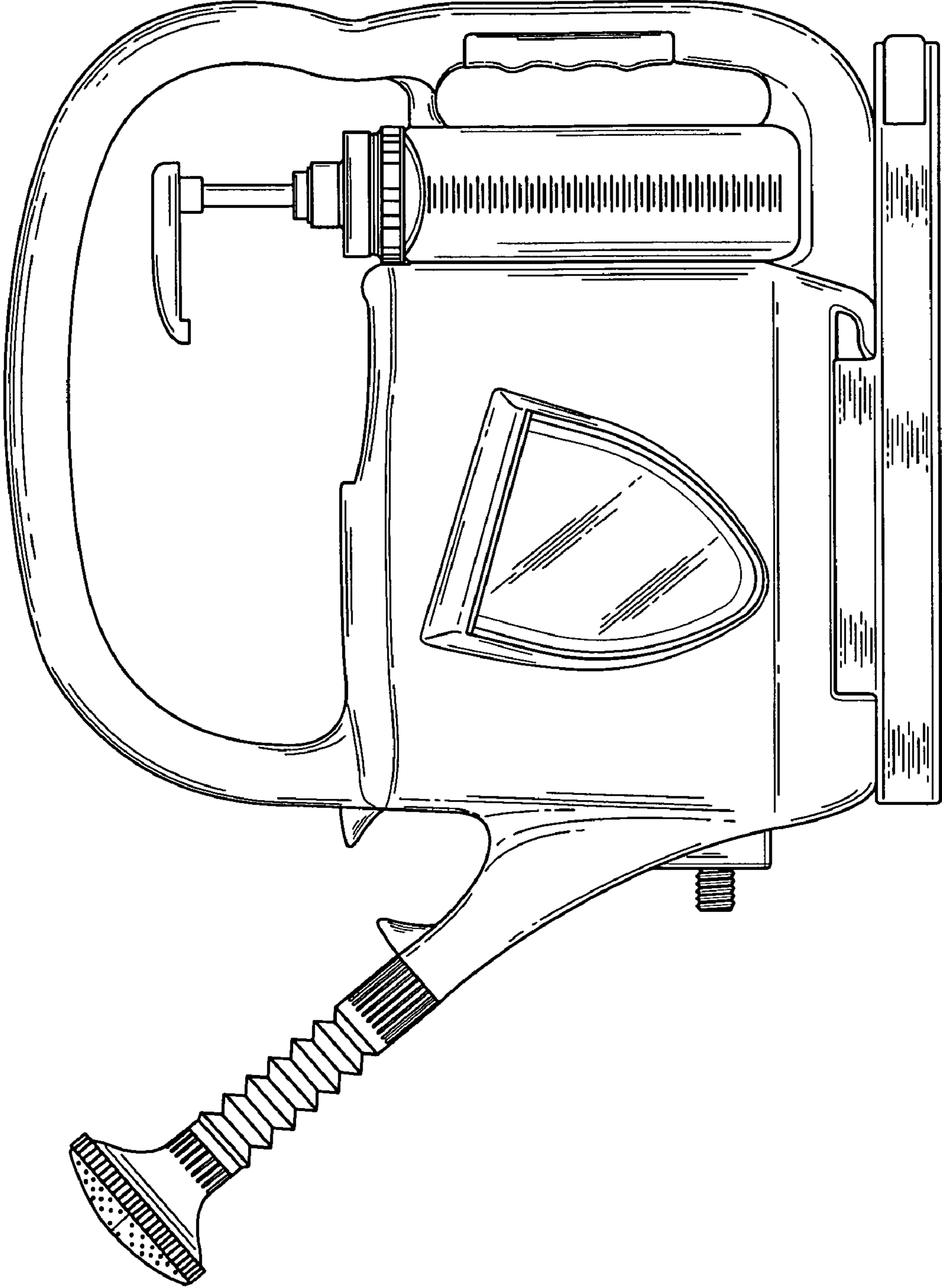


FIG. 2

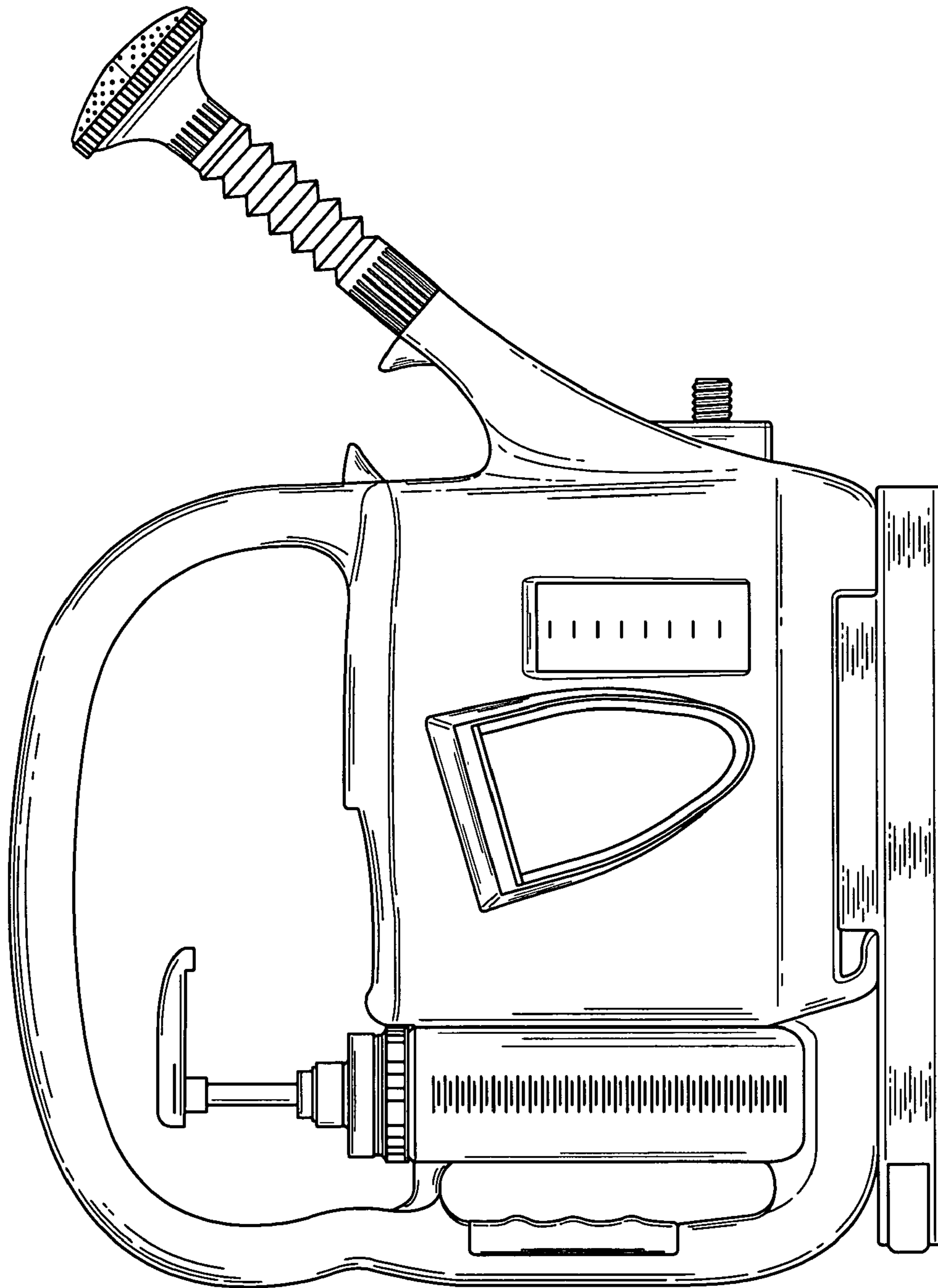


FIG. 3

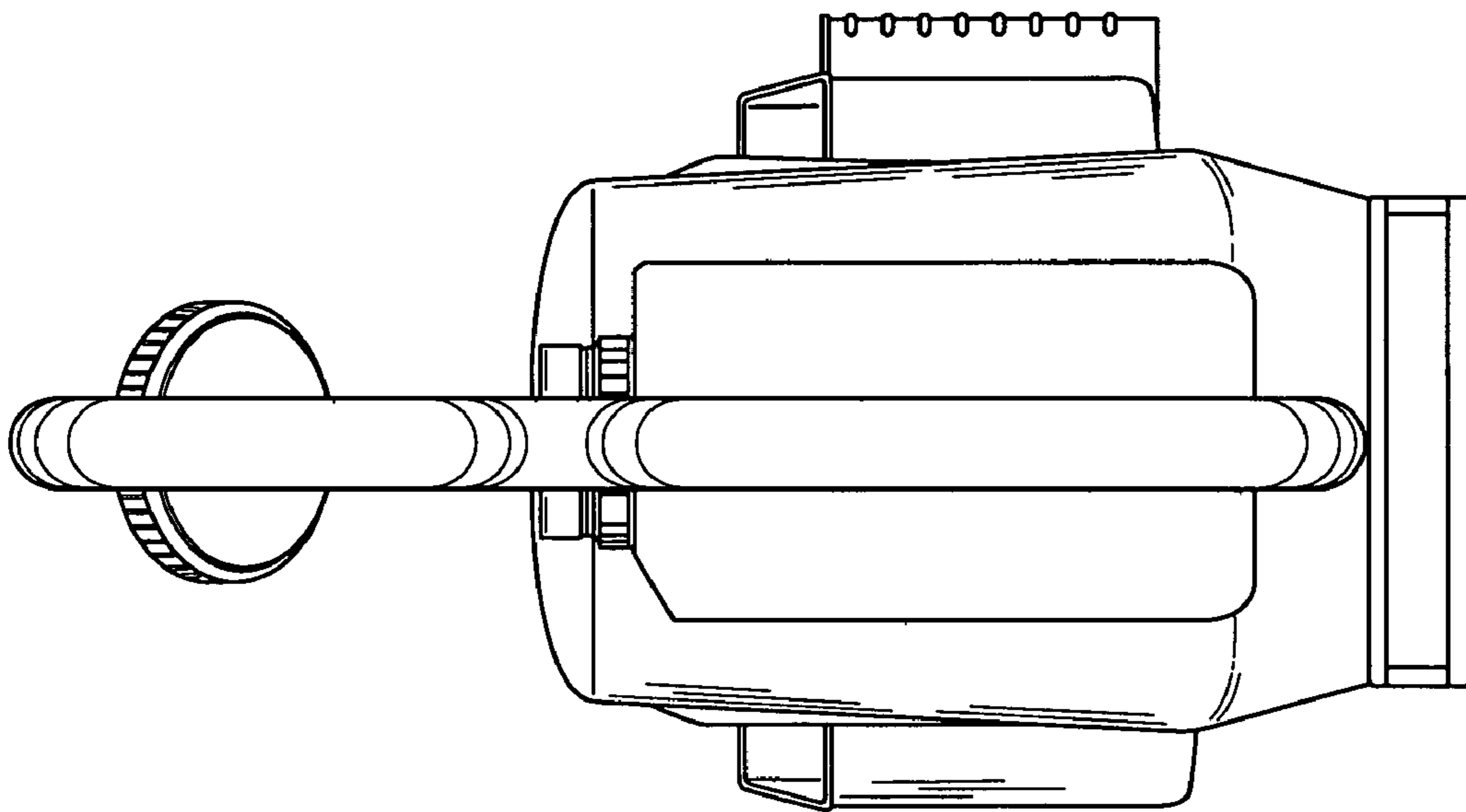


FIG. 5

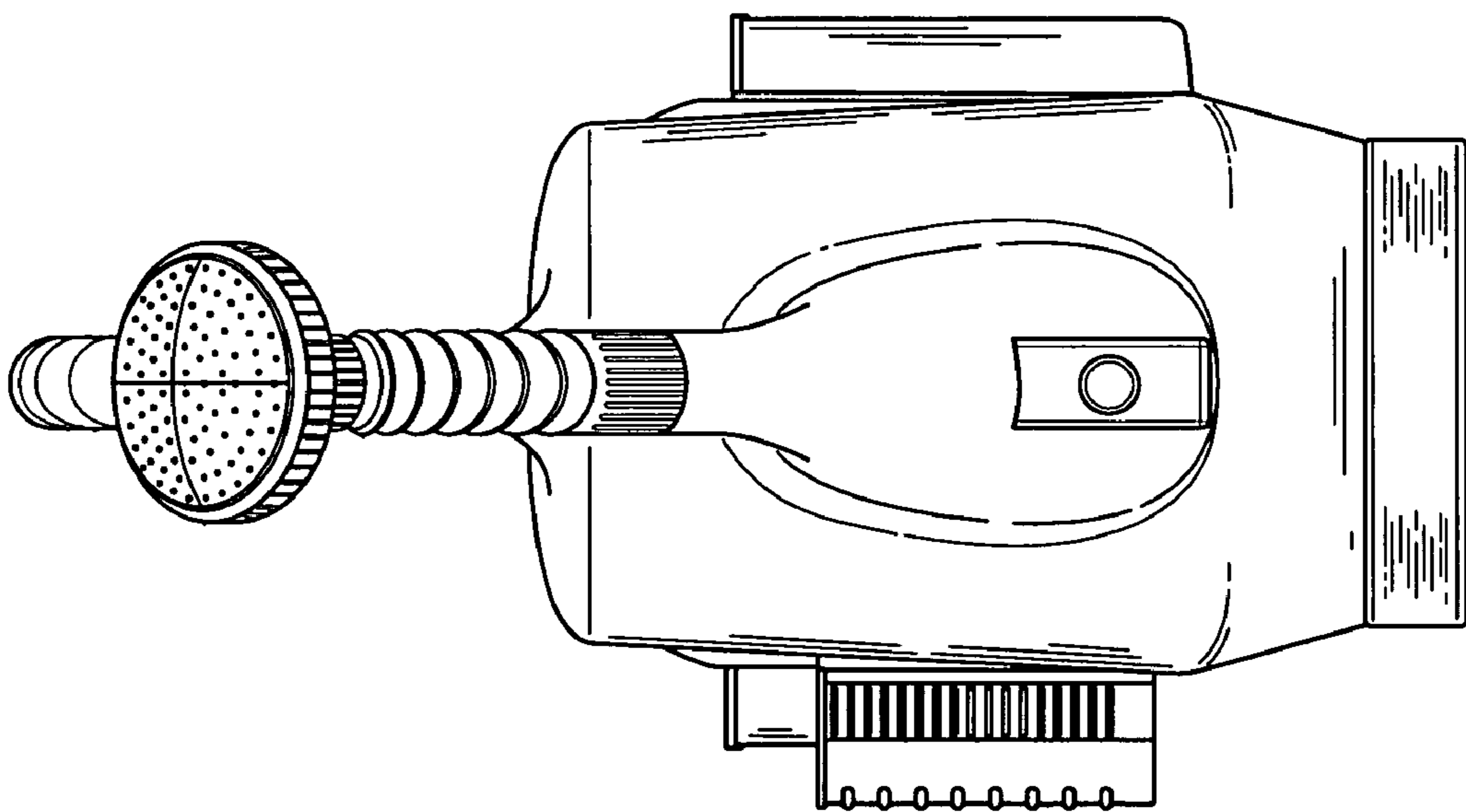


FIG. 4

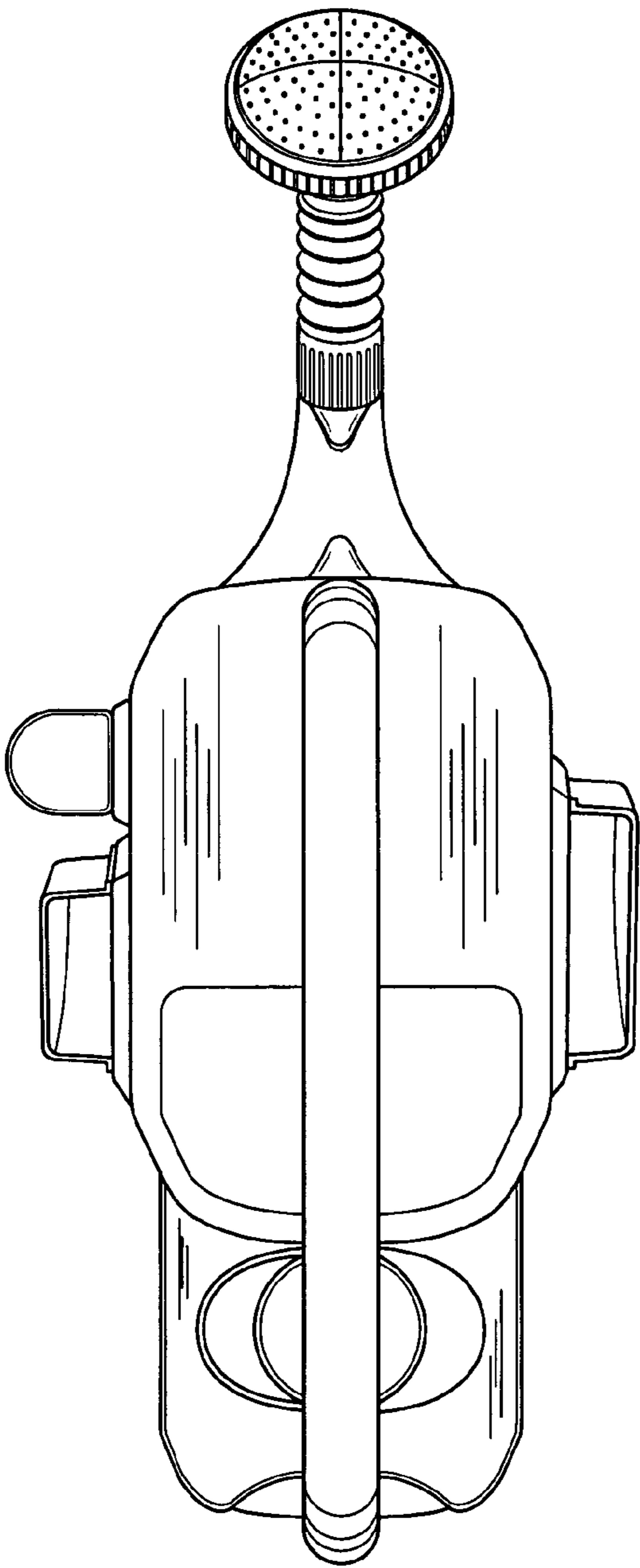


FIG. 6

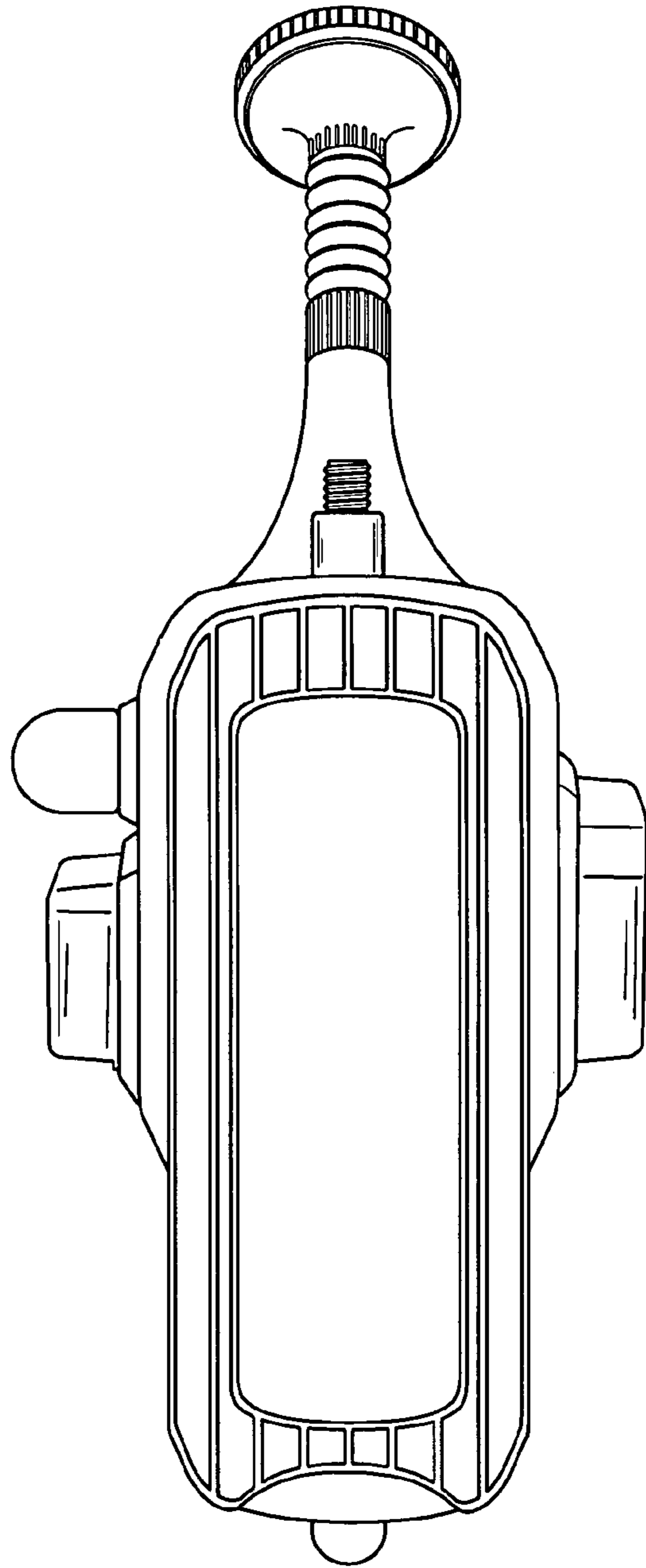


FIG. 7