



US00D591391S

(12) **United States Design Patent**
Ugone

(10) **Patent No.:** **US D591,391 S**
(45) **Date of Patent:** **** Apr. 28, 2009**

(54) **WATERING CAN WITH A KNEE PAD AND KNEE PAD CONTAINMENT CHAMBER**

D525,340 S * 7/2006 Durant D23/212

* cited by examiner

(76) Inventor: **James Ugone**, 10 South St., Ste. 209, Topsfield, MA (US) 01983

Primary Examiner—Robin V Webster
(74) *Attorney, Agent, or Firm*—Lambert & Associates; Gary E. Lambert

(**) Term: **14 Years**

(21) Appl. No.: **29/325,033**

(57) **CLAIM**

(22) Filed: **Sep. 25, 2008**

The ornamental design for a watering can with a knee pad and knee pad containment chamber, as shown and described.

(51) **LOC (9) Cl.** **23-01**

(52) **U.S. Cl.** **D23/212**

(58) **Field of Classification Search** D23/212;
239/289, 375–377; 222/465.1, 133, 1
See application file for complete search history.

DESCRIPTION

FIG. 1 is a top-down isometric perspective view of the watering can with a knee pad and knee pad containment chamber, displaying a knee pad containment chamber at the bottom of said watering can and a first side mounted tool holding chamber.

(56) **References Cited**

U.S. PATENT DOCUMENTS

92,194	A	*	7/1869	Kaiser	222/385
880,522	A	*	3/1908	Gray	220/759
3,353,725	A	*	11/1967	Caceres	222/456
D266,450	S	*	10/1982	Swett et al.	D23/212
D295,547	S	*	5/1988	Cunning	D23/212
D401,668	S	*	11/1998	Kreizel	D23/212
D459,431	S	*	6/2002	Rosenberg	D23/212
D505,182	S	*	5/2005	Durant et al.	D23/212
7,011,235	B2	*	3/2006	Pasquariello	222/133

FIG. 2 is a side elevation view thereof;

FIG. 3 is the opposite side elevation view thereof;

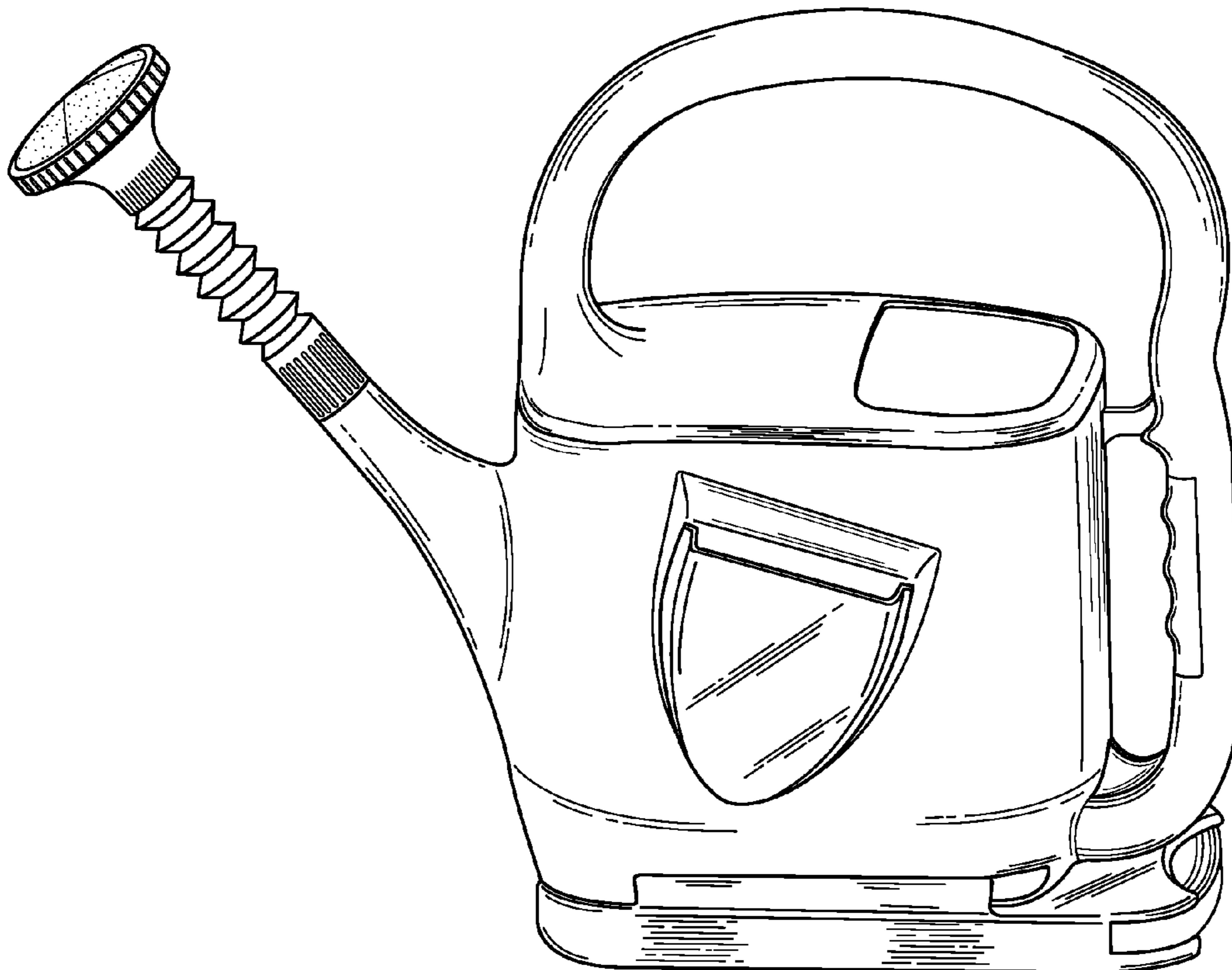
FIG. 4 is a front view thereof;

FIG. 5 is a rear view thereof;

FIG. 6 is a top plan view thereof; and,

FIG. 7 is a bottom view thereof.

1 Claim, 5 Drawing Sheets



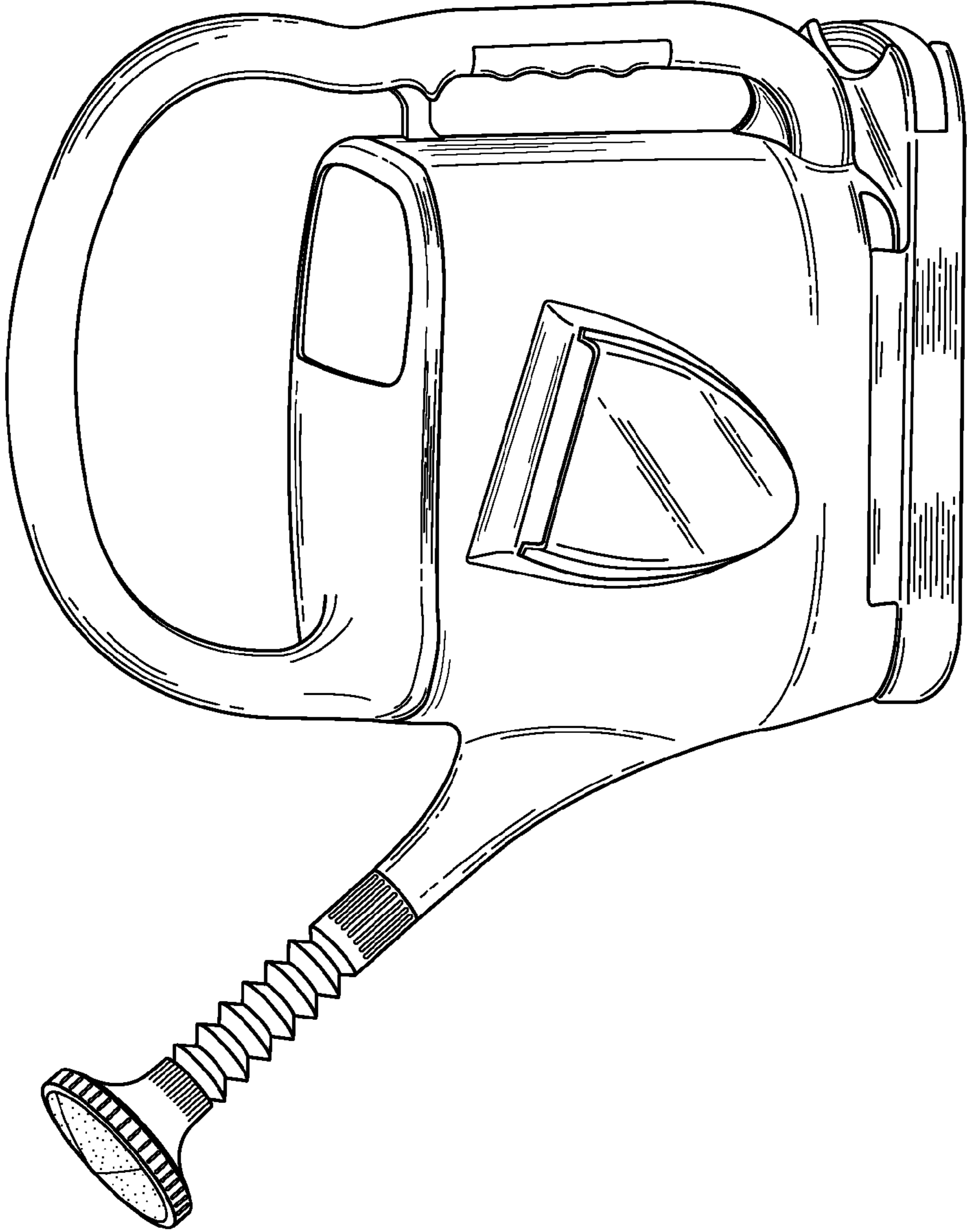


FIG. 1

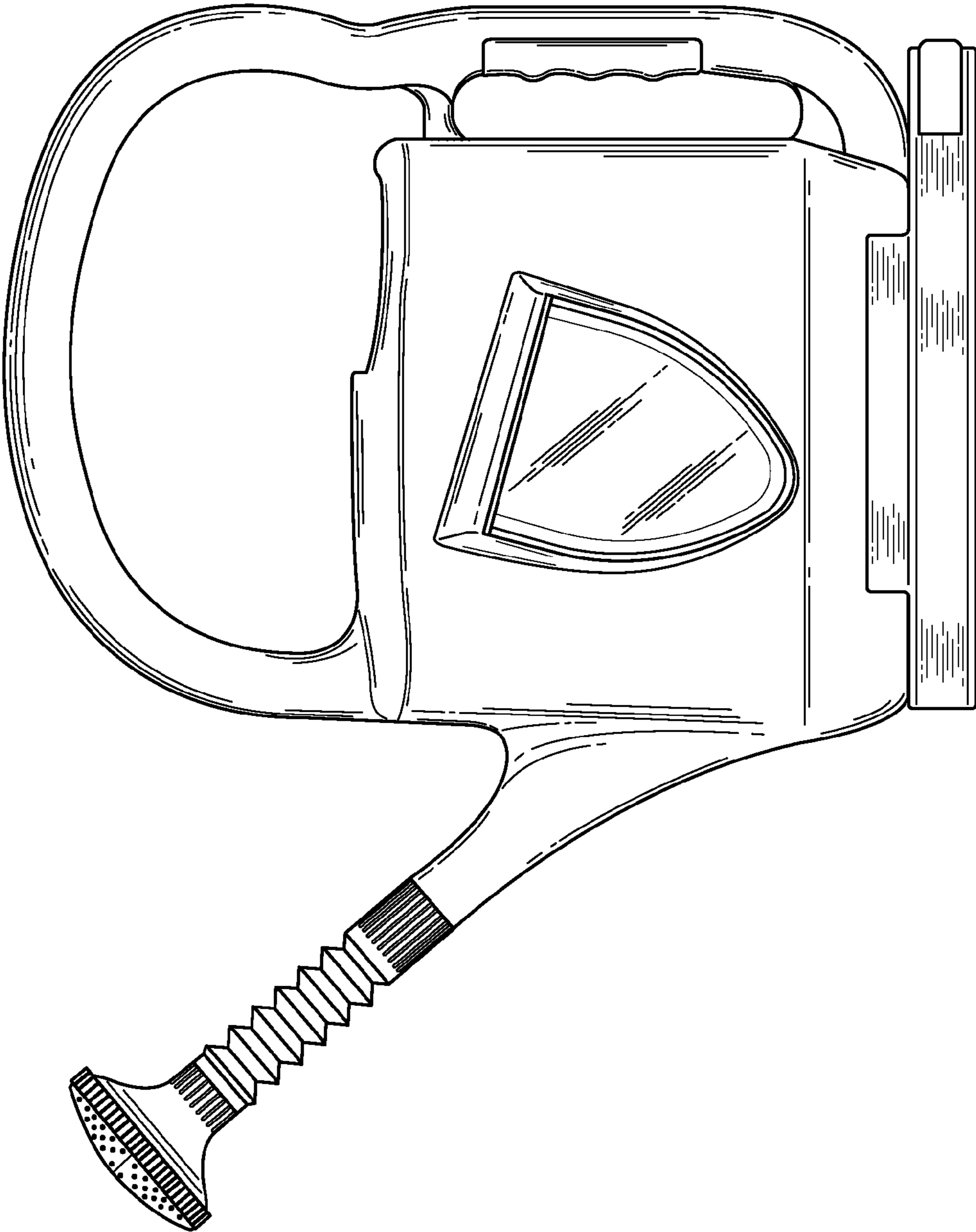


FIG. 2

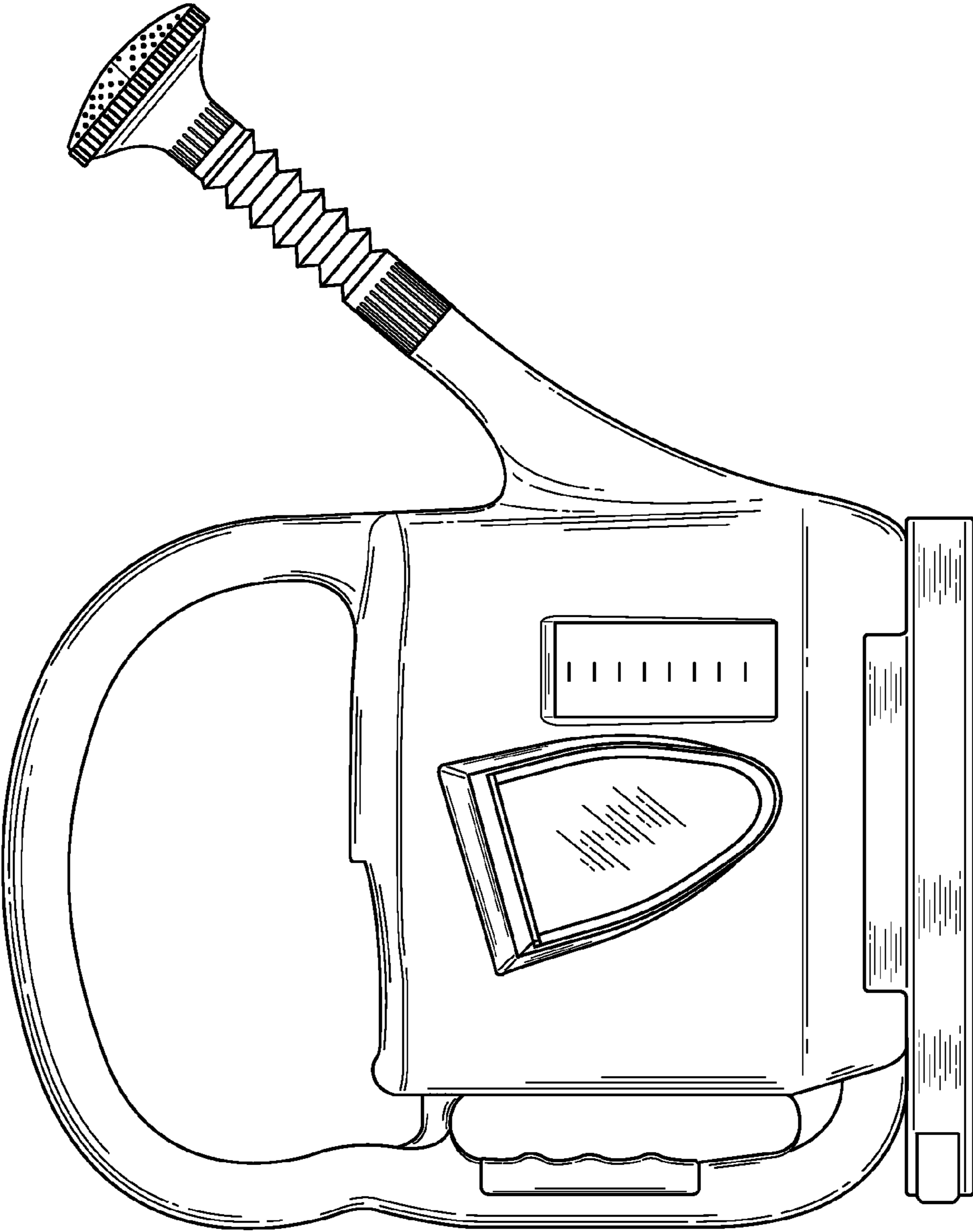


FIG. 3

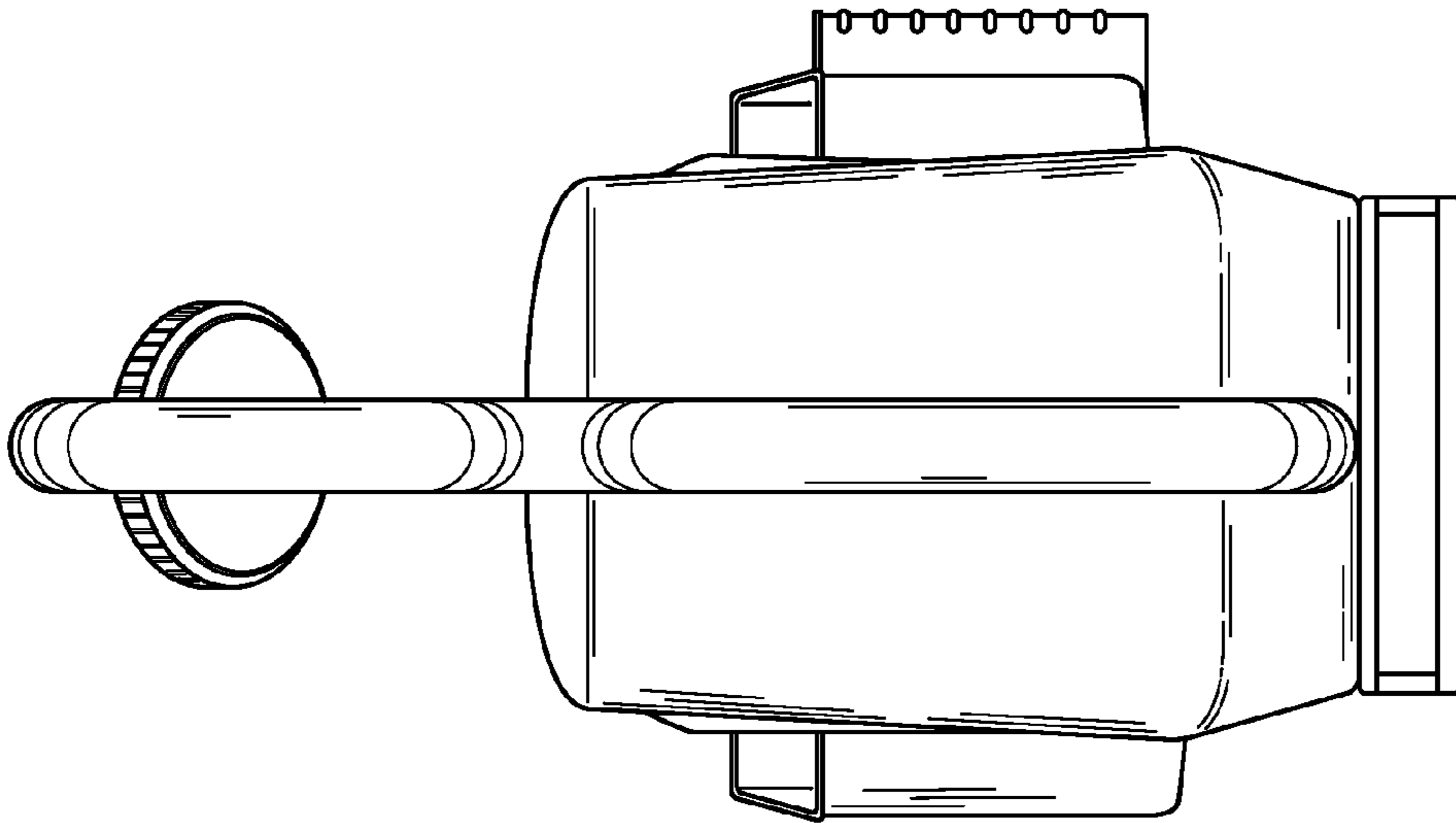


FIG. 5

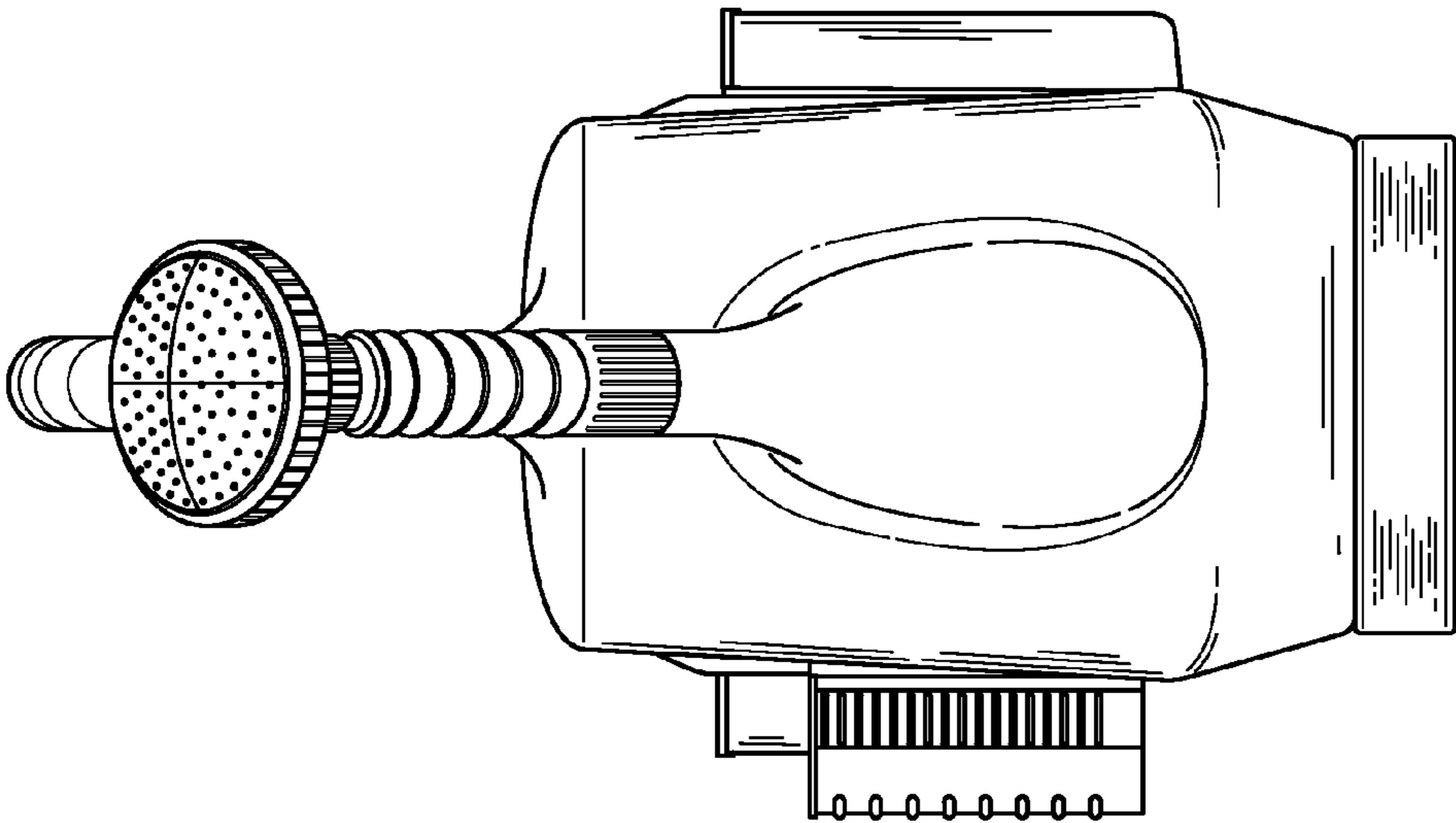


FIG. 4

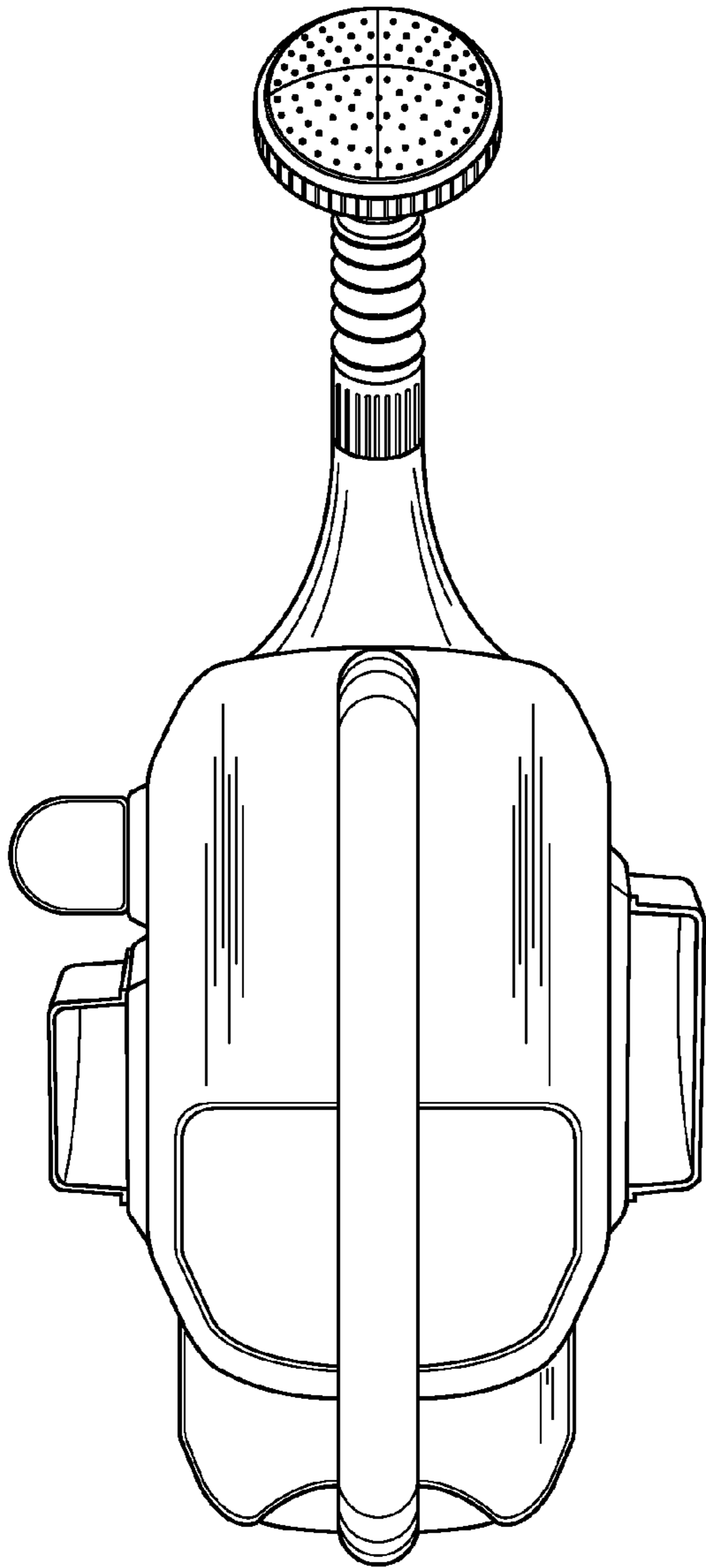


FIG. 6

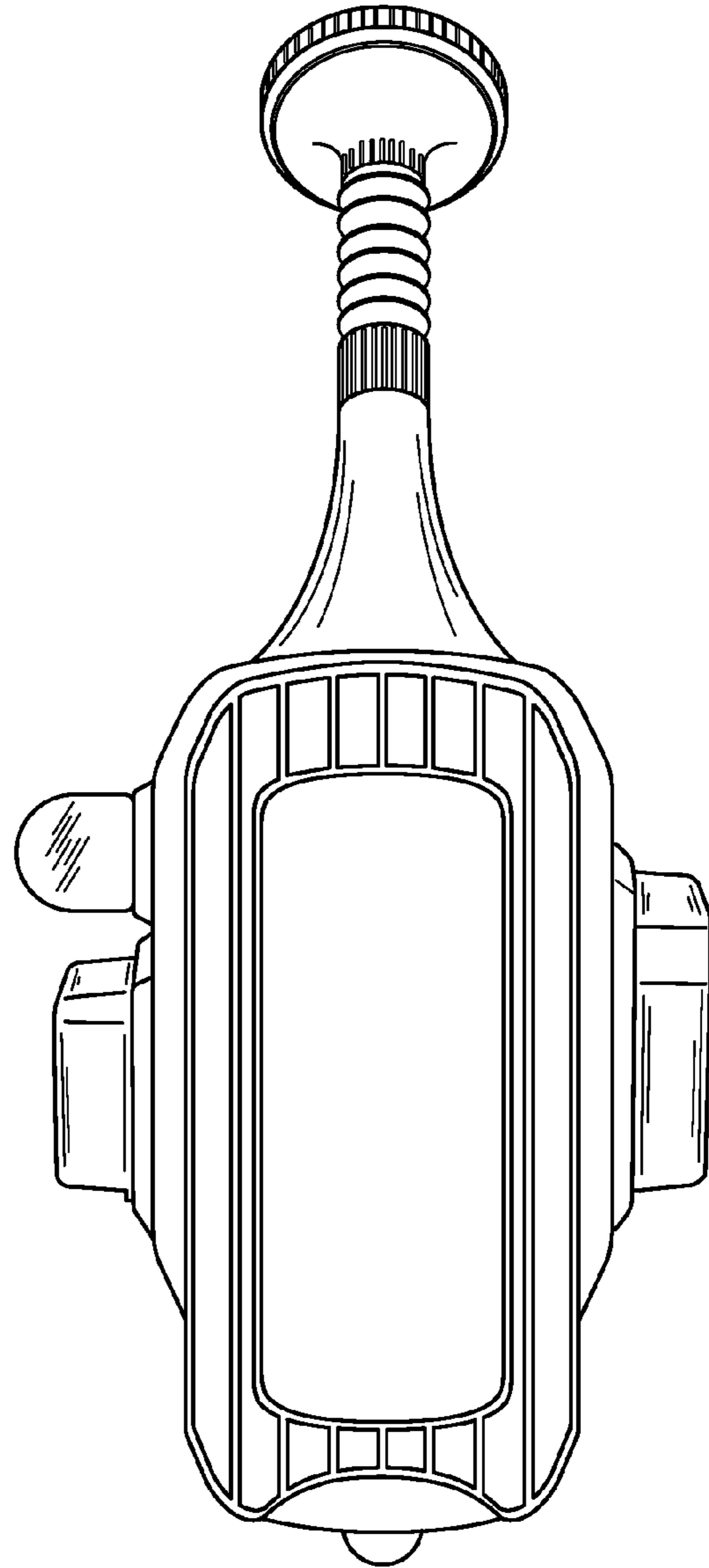


FIG. 7