

US00D591385S

(12) **United States Design Patent**
Baltes

(10) **Patent No.:** **US D591,385 S**

(45) **Date of Patent:** **** Apr. 28, 2009**

(54) **FISHING ROD AND BEVERAGE HOLDER**

D499,789 S * 12/2004 Bridgewater D22/147

* cited by examiner

(75) Inventor: **Michael Baltes**, Hobe Sound, FL (US)

Primary Examiner—Catherine R Oliver

(73) Assignee: **MTB Designs, Inc.**, Hobe Sound, FL (US)

(74) *Attorney, Agent, or Firm*—McHale & Slavin, P.A.

(**) Term: **14 Years**

(57) **CLAIM**

(21) Appl. No.: **29/323,479**

The ornamental design for a fishing rod and beverage holder, as shown and described.

(22) Filed: **Aug. 26, 2008**

DESCRIPTION

(51) **LOC (9) Cl.** **22-05**

(52) **U.S. Cl.** **D22/147**

(58) **Field of Classification Search** D22/147–148, D22/138–139; 43/21.2, 16–18.1, 18.5, 19, 43/19.1; 248/156, 511, 519, 530–532, 545; D3/255, 319–320; D11/182; D6/552–553
See application file for complete search history.

FIG. 1 is a top perspective view of the fishing rod and beverage holder of the instant invention;

FIG. 2 is a top perspective view thereof;

FIG. 3 is a right side view thereof, the left side view being a mirror image thereof;

FIG. 4 is a rear view thereof;

FIG. 5 is a front view thereof;

FIG. 6 is a top view thereof; and,

FIG. 7 is a bottom view thereof.

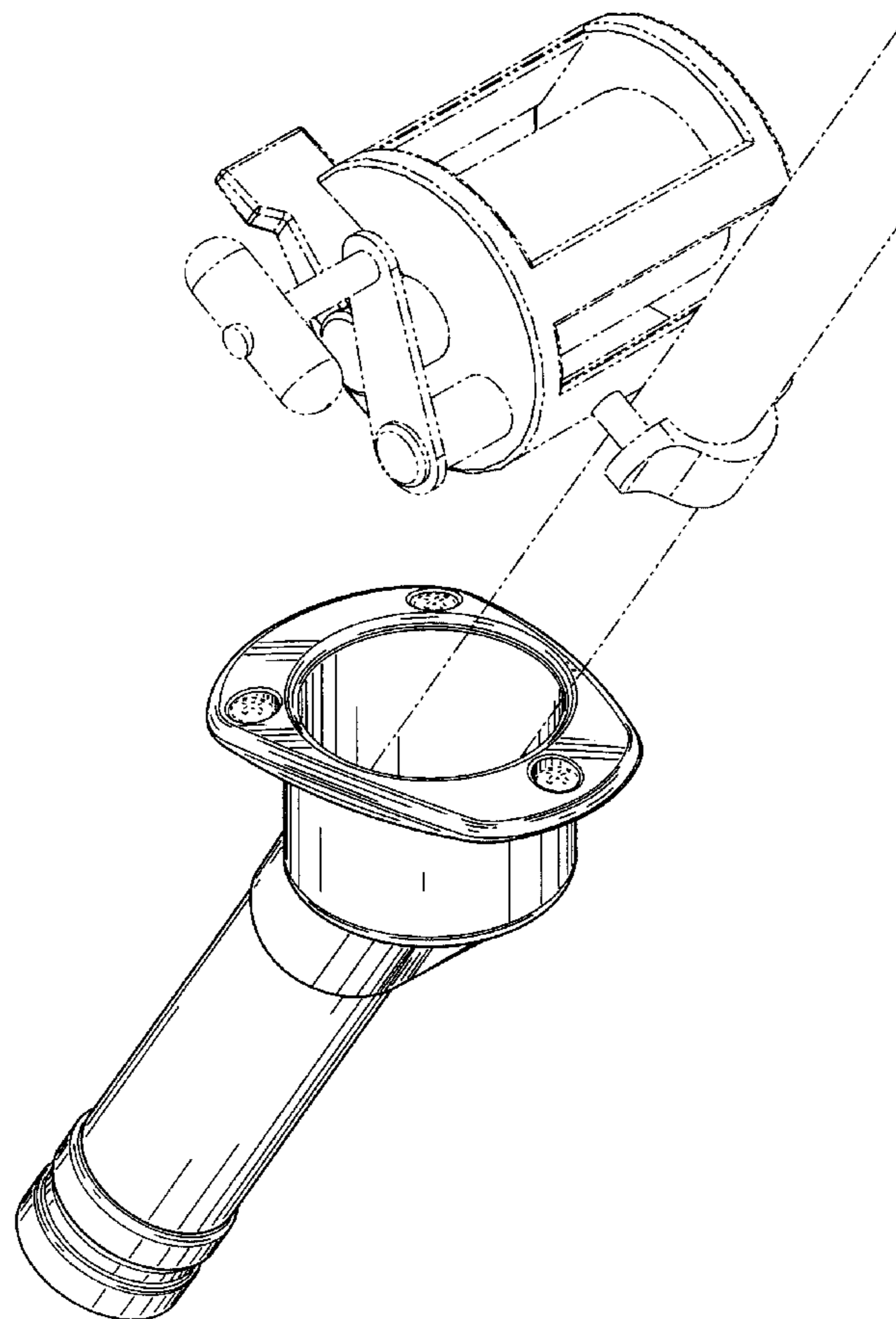
The portions of the Figures shown in broken lines are for illustrative purposes only and form no part of the claimed design.

(56) **References Cited**

U.S. PATENT DOCUMENTS

D352,342 S *	11/1994	Arck	D22/147
D377,387 S *	1/1997	Mathewson	D22/147
D390,308 S *	2/1998	Sieland et al.	D22/147
D399,367 S *	10/1998	Sieland et al.	D22/147
D461,521 S *	8/2002	Krueger	D22/147

1 Claim, 5 Drawing Sheets



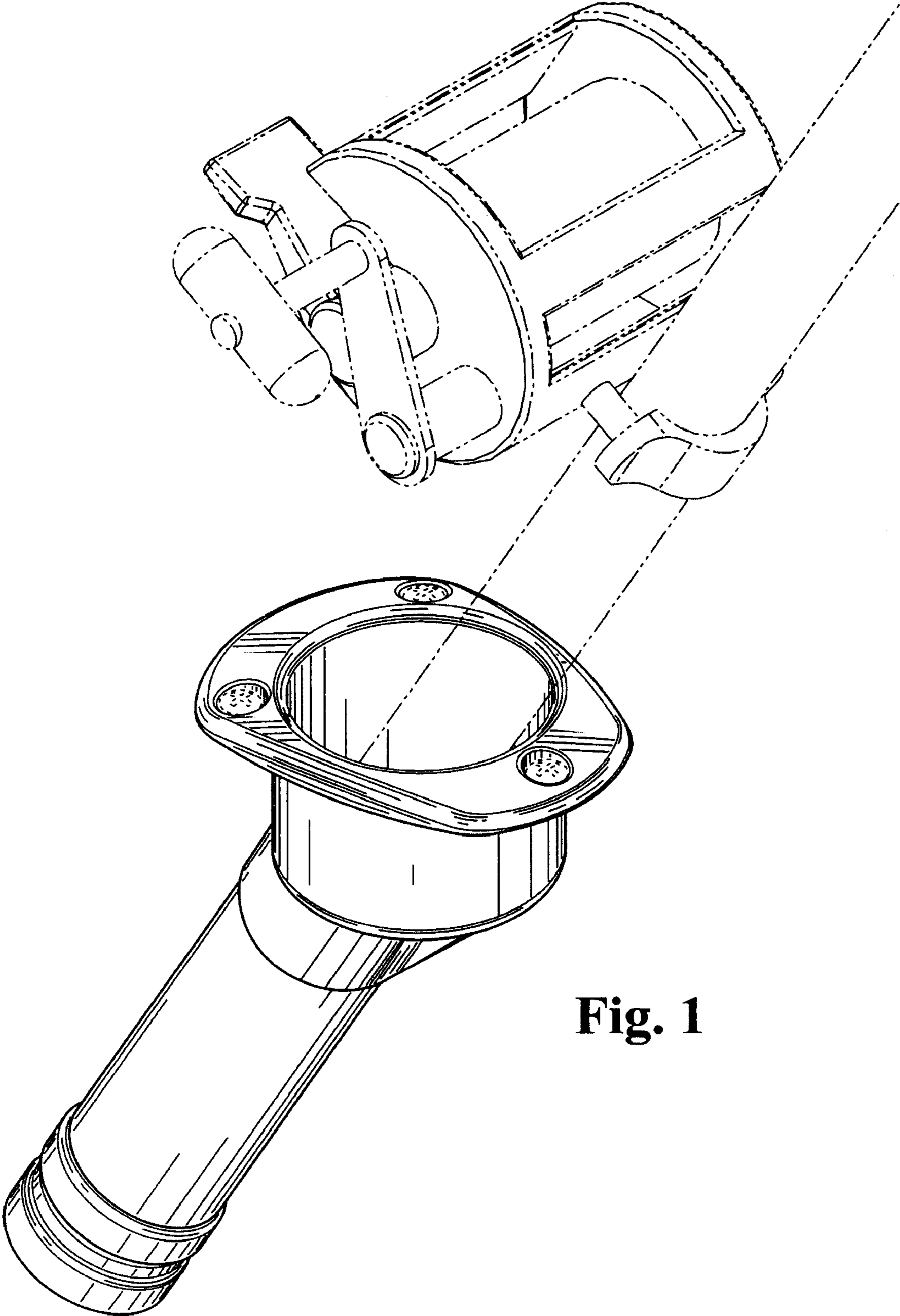


Fig. 1

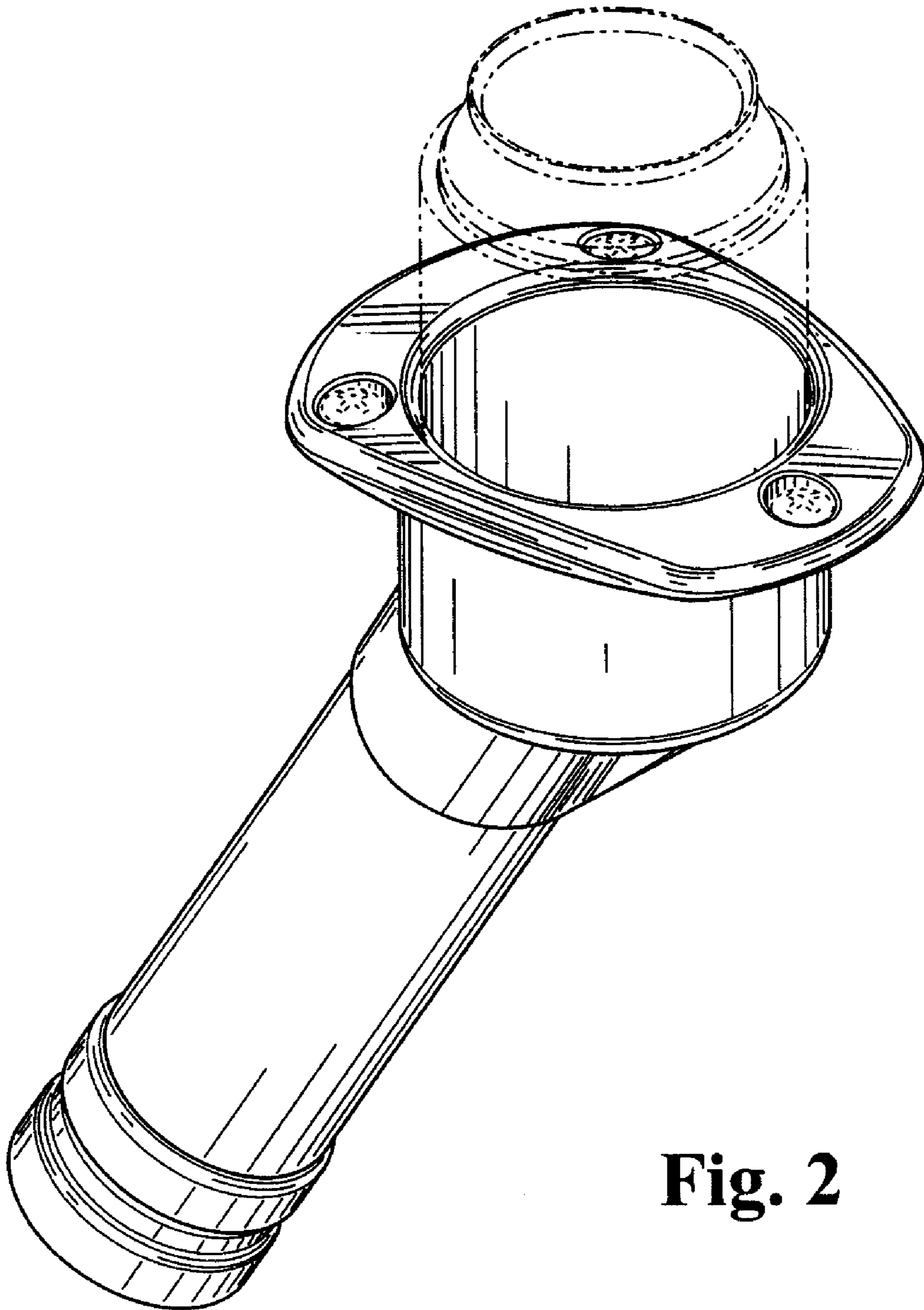


Fig. 2

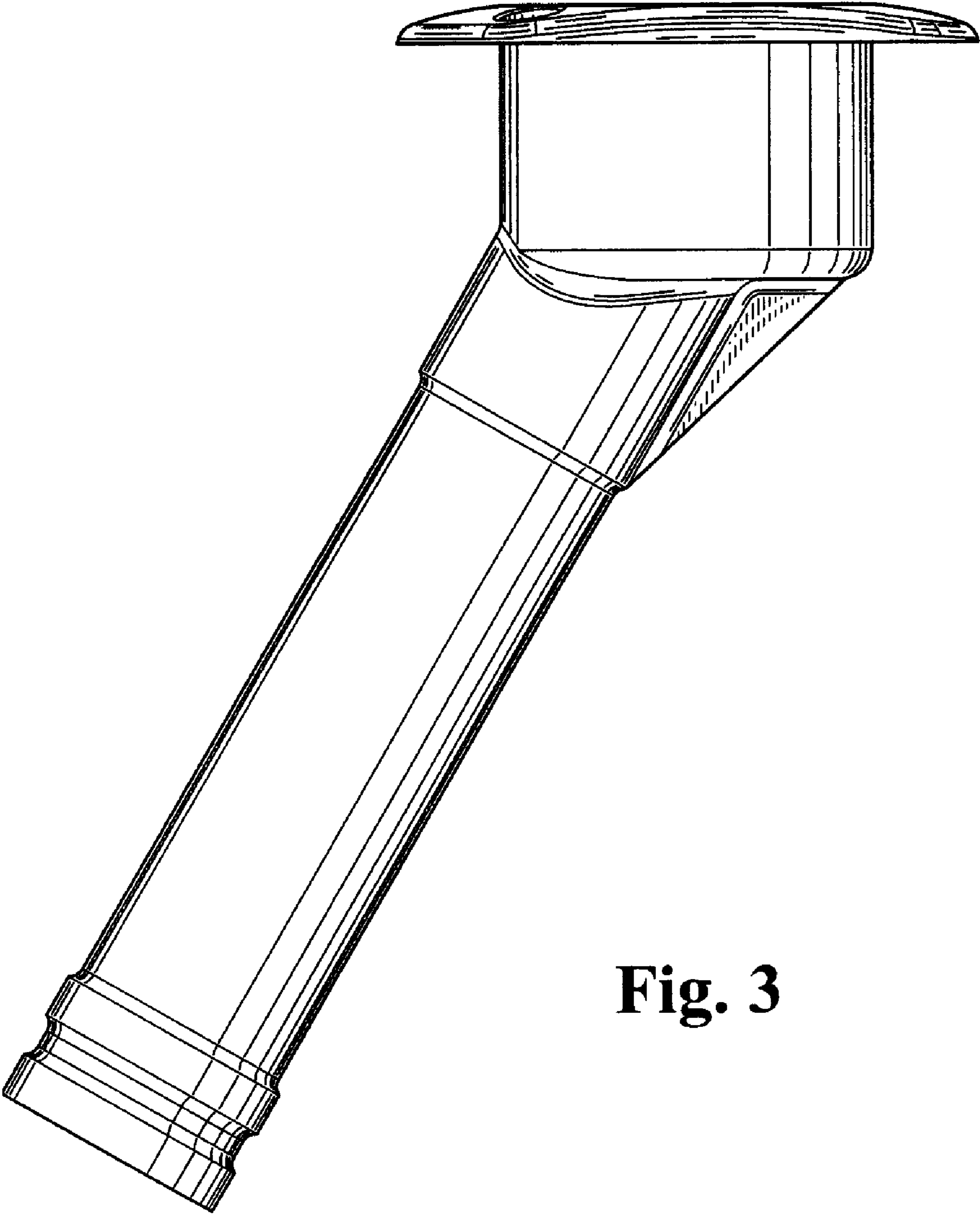


Fig. 3

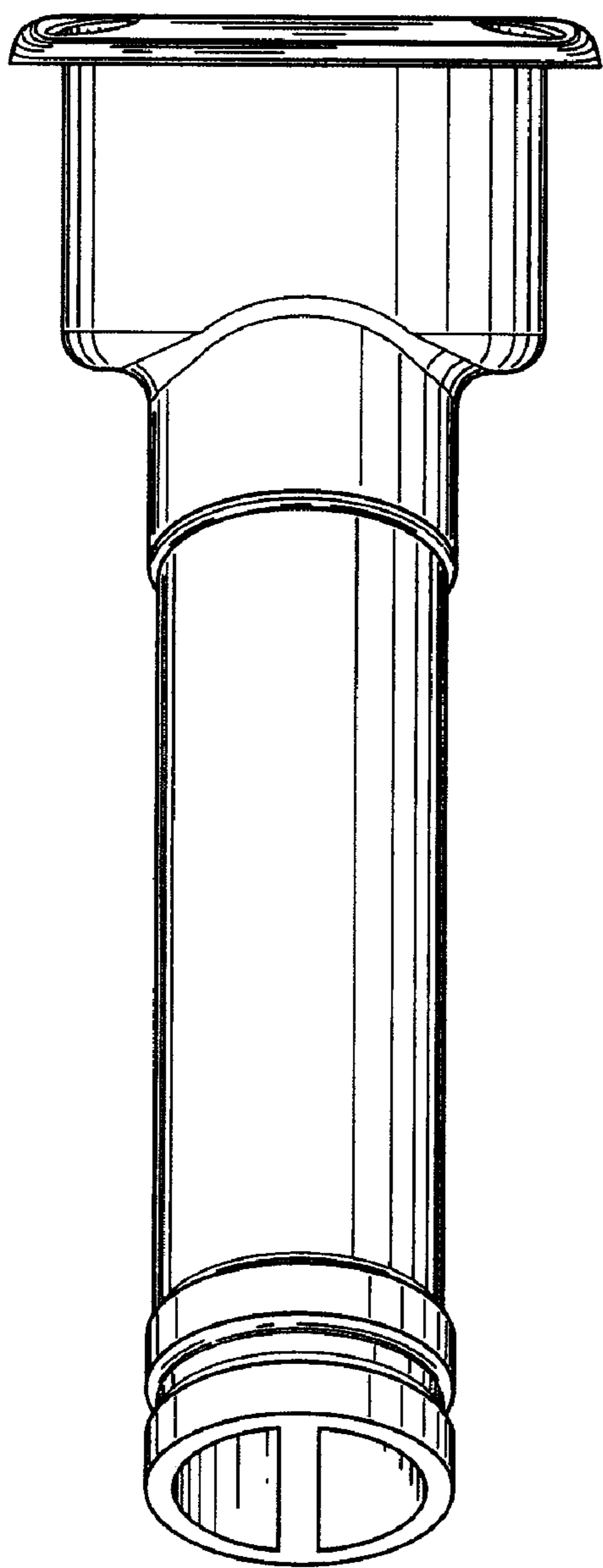


Fig. 4

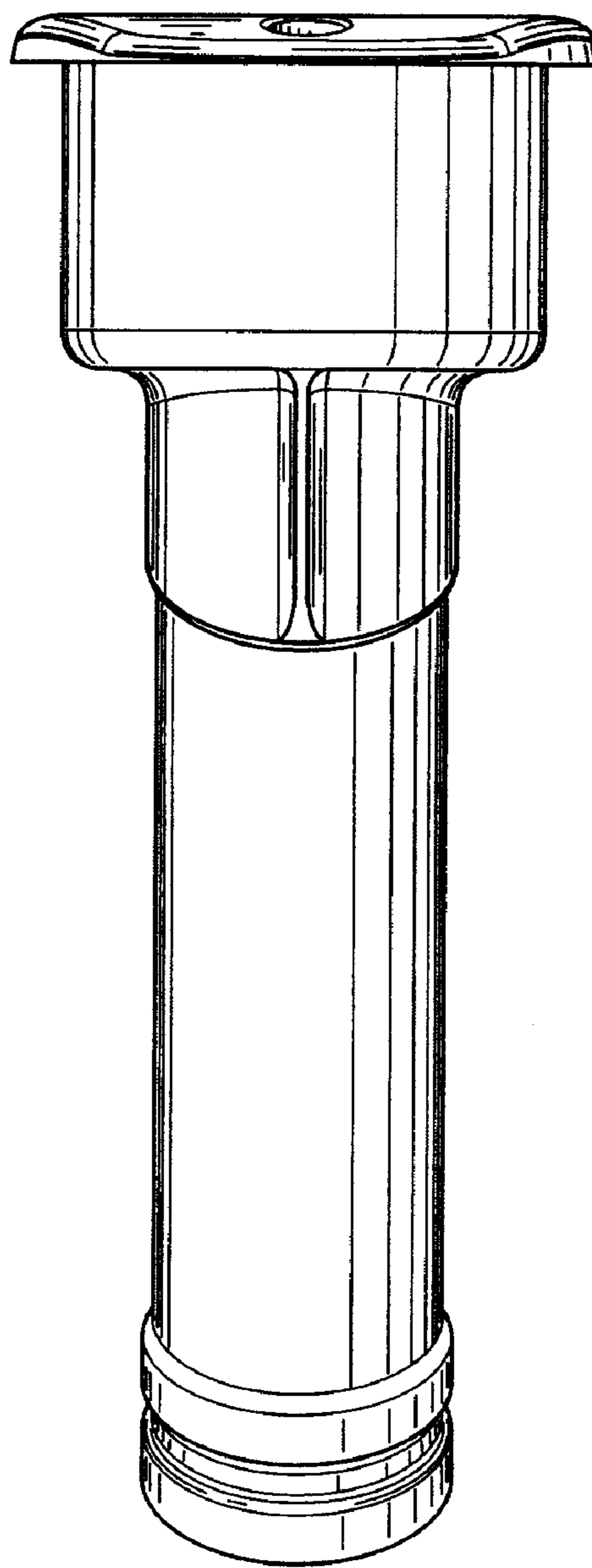


Fig. 5

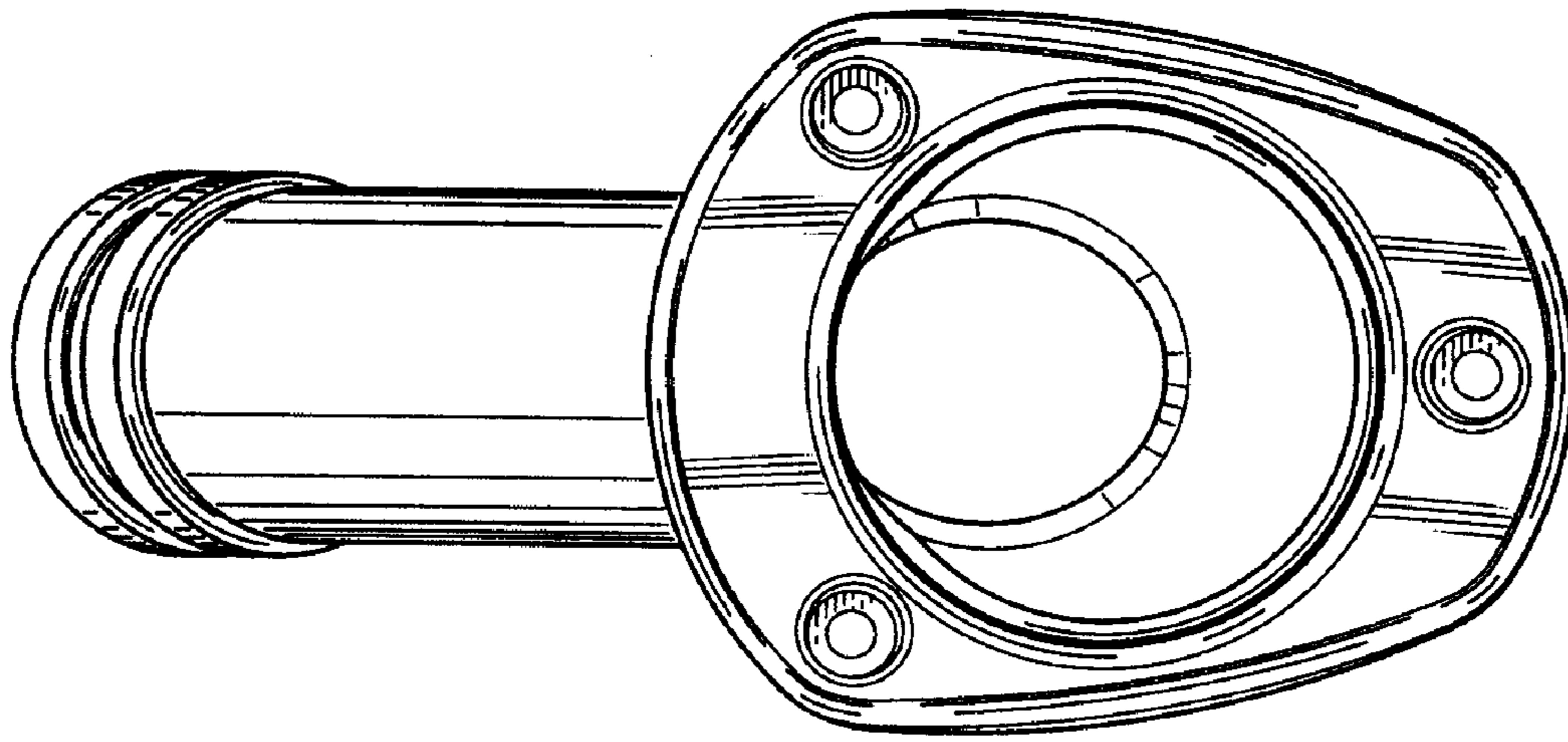


Fig. 6

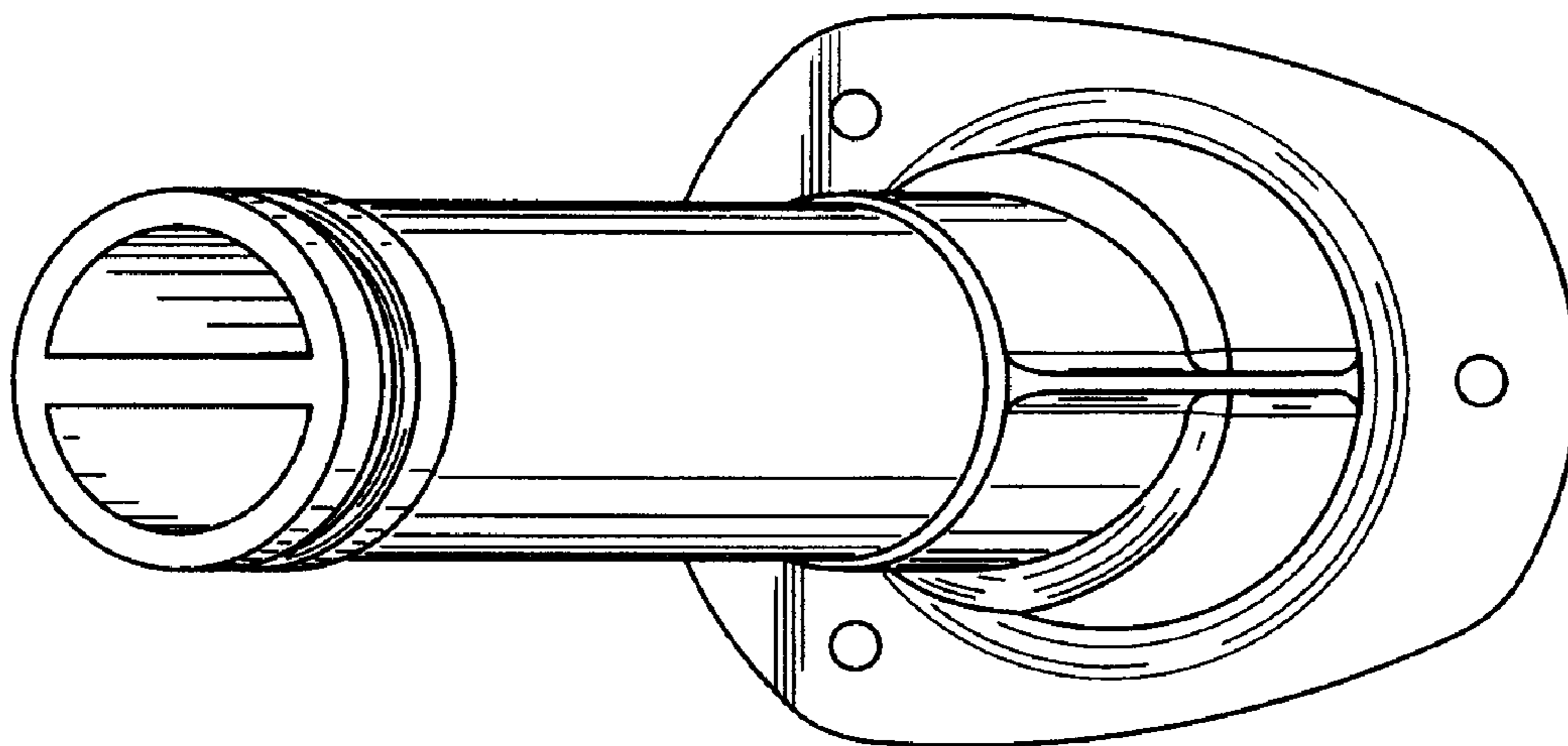


Fig. 7