



US00D591383S

(12) **United States Design Patent**
Bengtsson

(10) **Patent No.:** **US D591,383 S**

(45) **Date of Patent:** **** Apr. 28, 2009**

(54) **FASTENER FOR SIGHT**

(75) Inventor: **Peter Bengtsson**, Oxie (SE)

(73) Assignee: **GS Development AB**, Malmö (SE)

(**) Term: **14 Years**

(21) Appl. No.: **29/317,588**

(22) Filed: **May 2, 2008**

(30) **Foreign Application Priority Data**

Jan. 21, 2008 (EM) 000860960-0001

(51) **LOC (9) Cl.** **22-01**

(52) **U.S. Cl.** **D22/110**

(58) **Field of Classification Search** D22/100,
D22/108, 109, 110, 199; 42/11, 72, 75.02,
42/71.01, 85, 90, 106, 114, 113, 116, 119,
42/124, 125, 127, 145, 128; 248/201, 205.1
See application file for complete search history.

(56) **References Cited**

U.S. PATENT DOCUMENTS

D235,339 S * 6/1975 Edstrom D22/109
D429,790 S * 8/2000 Plonka D22/110
6,594,938 B2 * 7/2003 Horton 42/127
6,629,381 B1 * 10/2003 Keng 42/124
2002/0162267 A1 * 11/2002 Nelson et al. 42/120
2004/0103577 A1 * 6/2004 Compton 42/85

2004/0255505 A1 * 12/2004 Fitzpatrick 42/72
2008/0072471 A1 * 3/2008 Keng 42/124
2008/0178511 A1 * 7/2008 Storch et al. 42/90
2008/0216380 A1 * 9/2008 Teetzel 42/127
2008/0253110 A1 * 10/2008 Wu 362/113

* cited by examiner

Primary Examiner—T. Chase Nelson

Assistant Examiner—Michael A Pratt

(74) *Attorney, Agent, or Firm*—Thomas, Kayden,
Horstemeyer and Risley, LLP; Todd Deveau

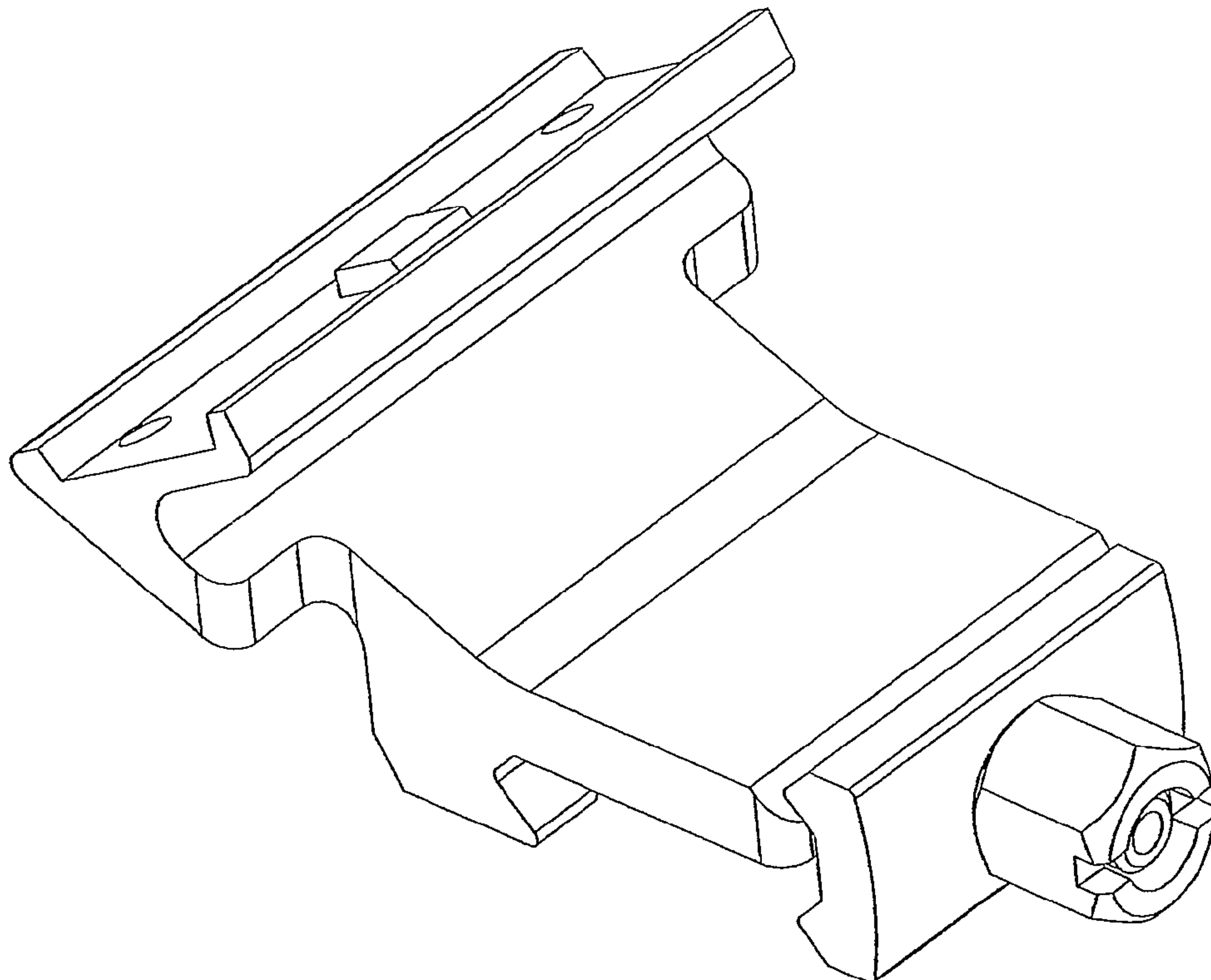
(57) **CLAIM**

The ornamental design for a fastener for sight, as shown and described.

DESCRIPTION

FIG. 1 is a perspective top view of my new fastener for sight;
FIG. 2 is an end view of my new fastener for sight of FIG. 1;
FIG. 3 is a side elevational view of my new fastener for sight;
FIG. 4 is a side elevational view of my new fastener for sight
from the side opposite that of FIG. 3;
FIG. 5 is an end view of my new fastener for sight from the
end opposite that of FIG. 2;
FIG. 6 is a top plan view thereof; and,
FIG. 7 is a bottom plan view thereof.

1 Claim, 7 Drawing Sheets



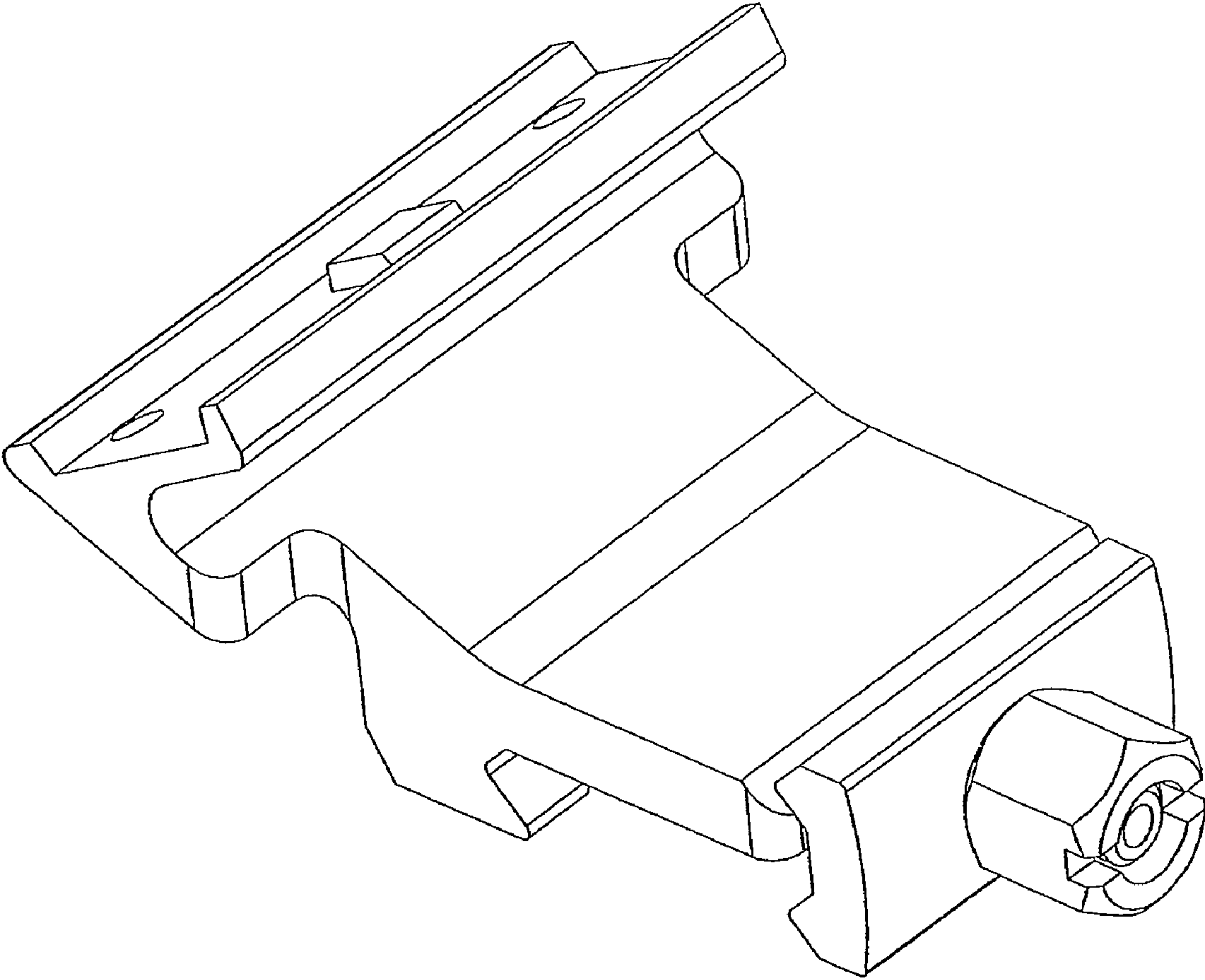


FIG. 1

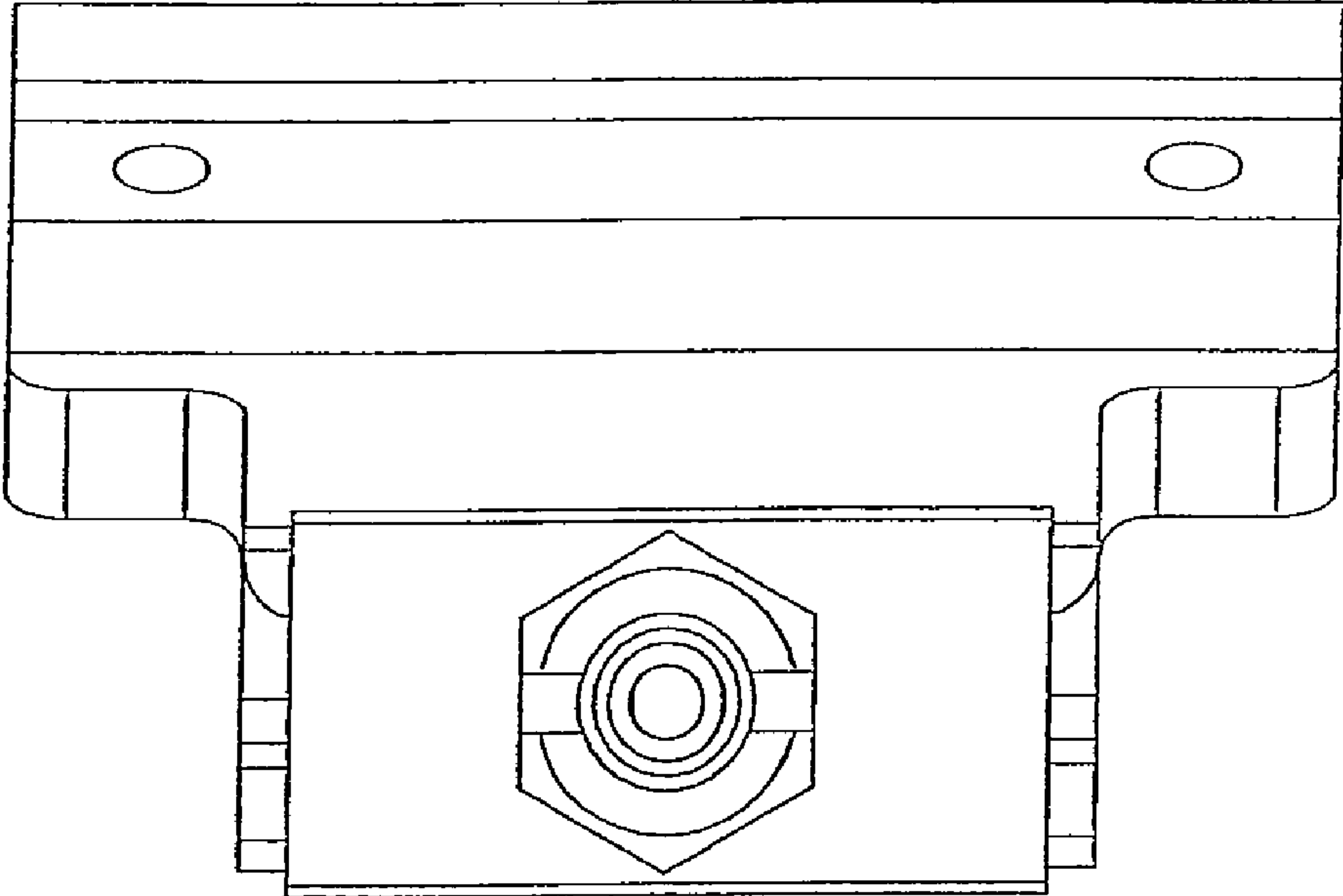


FIG. 2

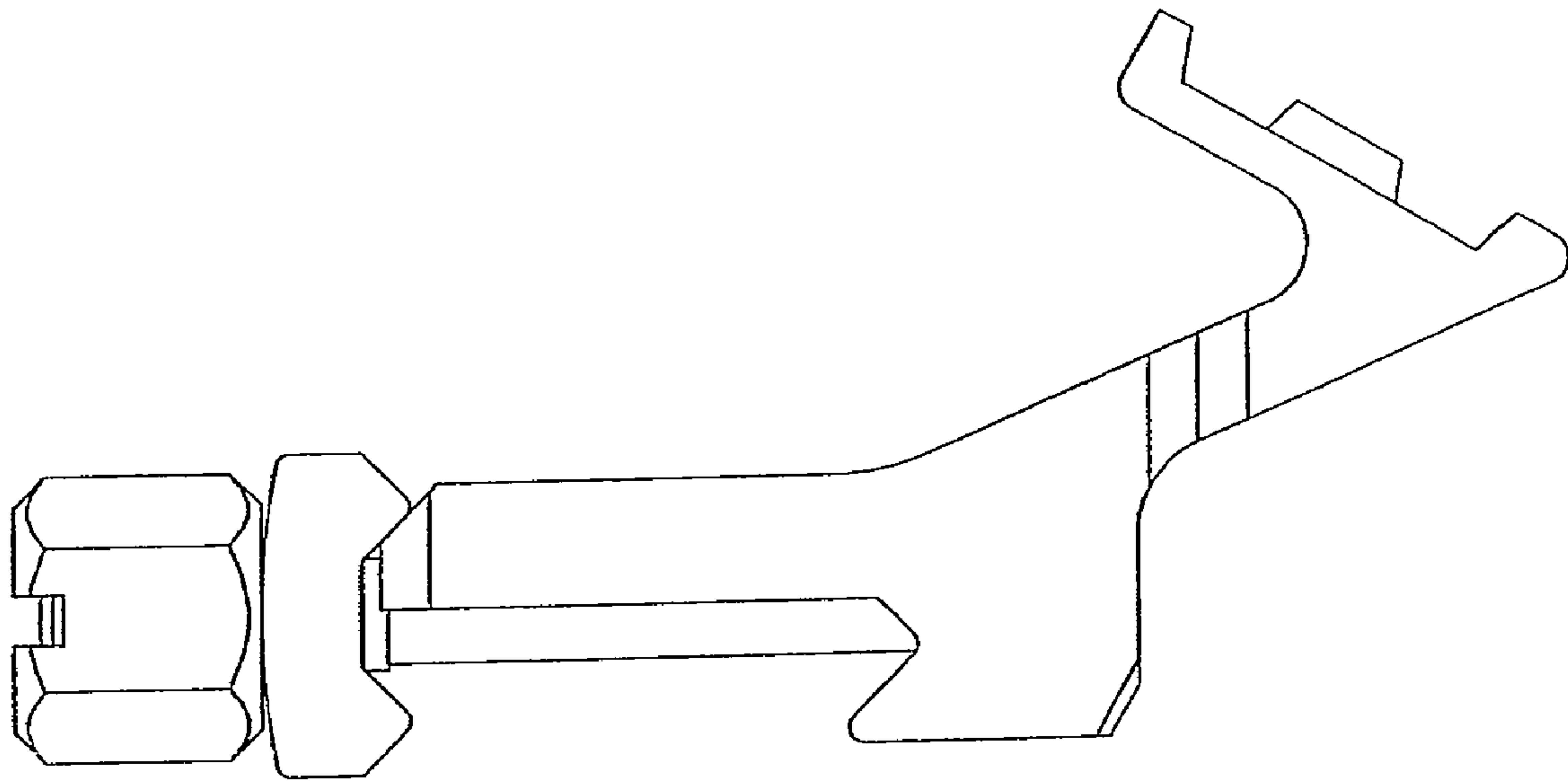


FIG. 3

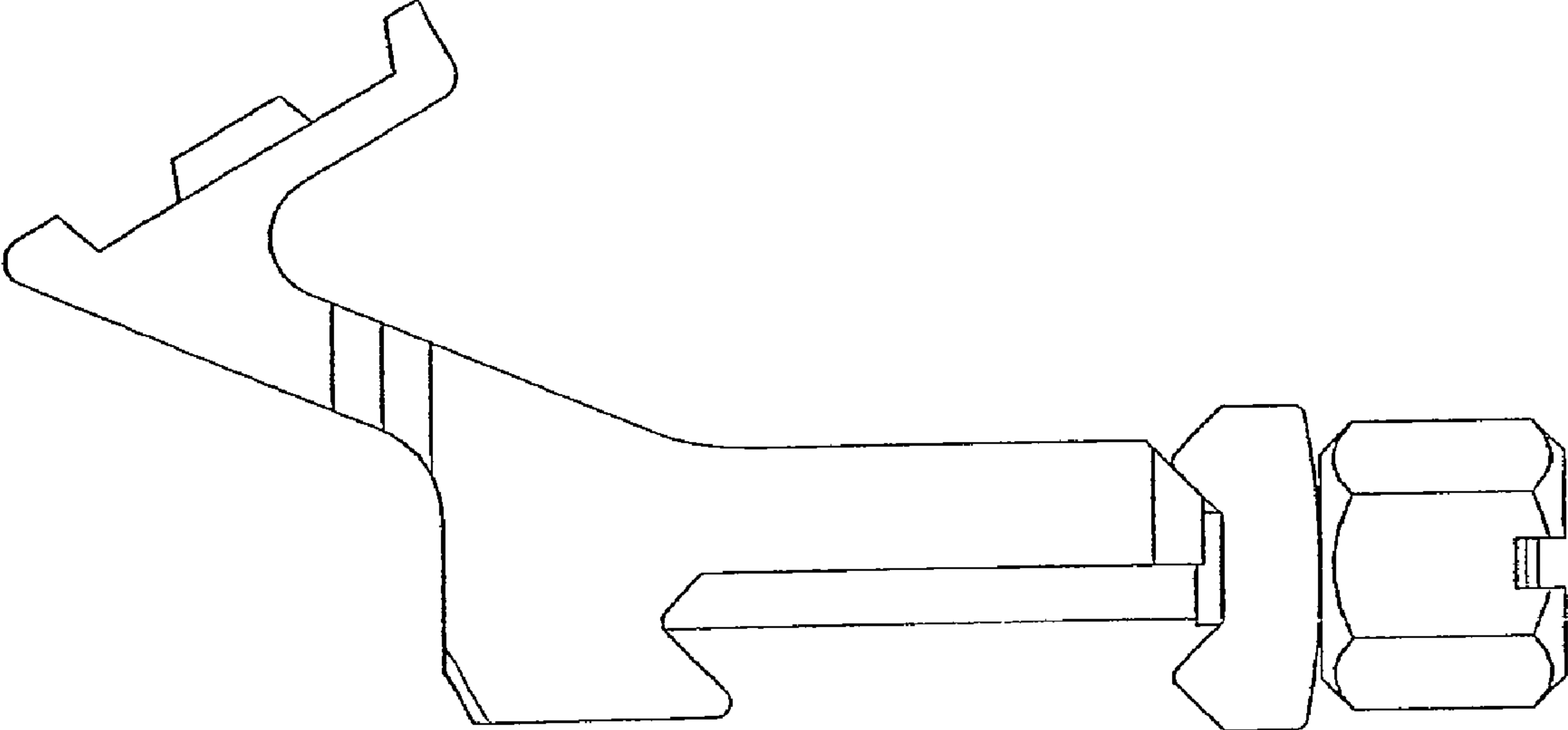


FIG. 4

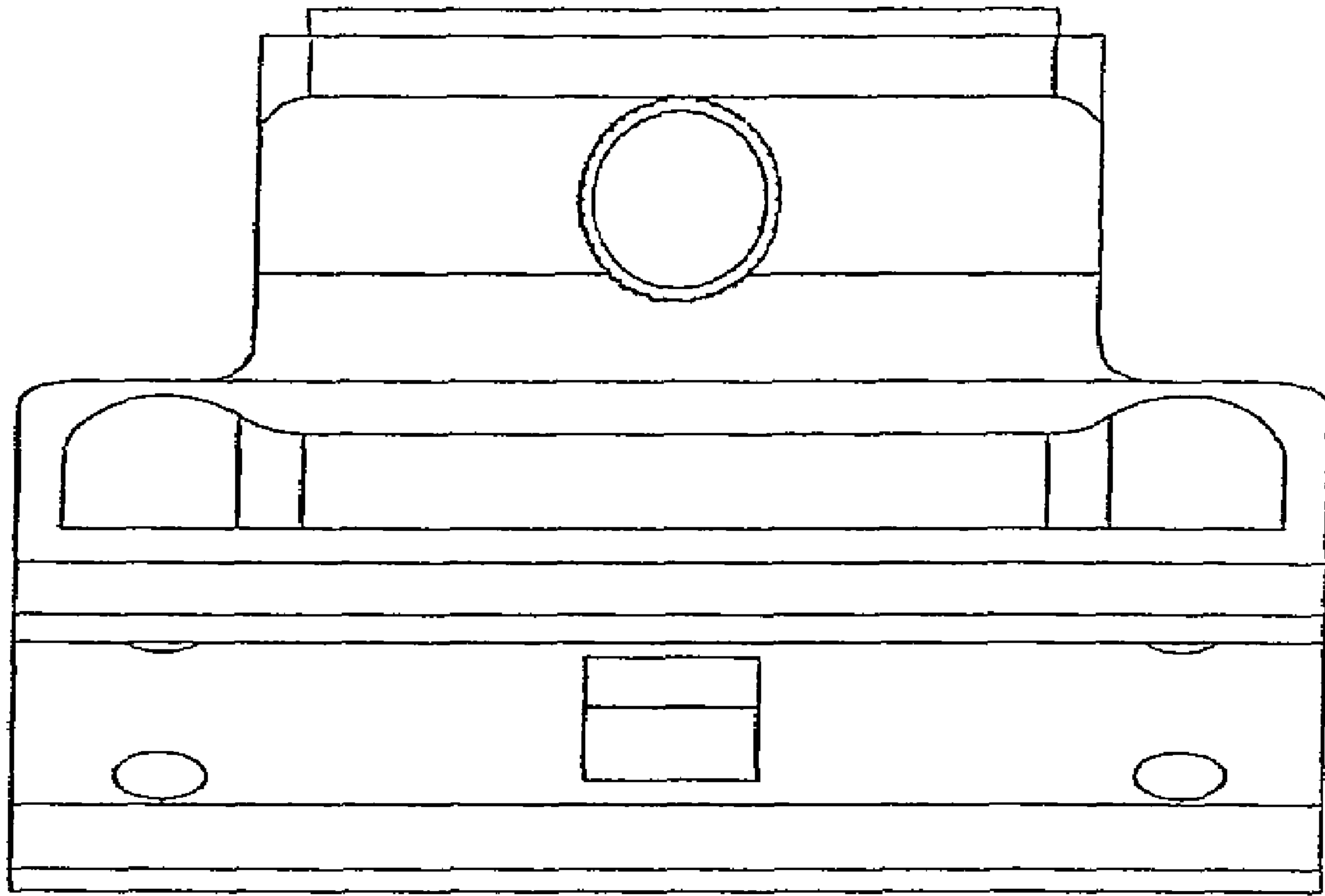


FIG. 5

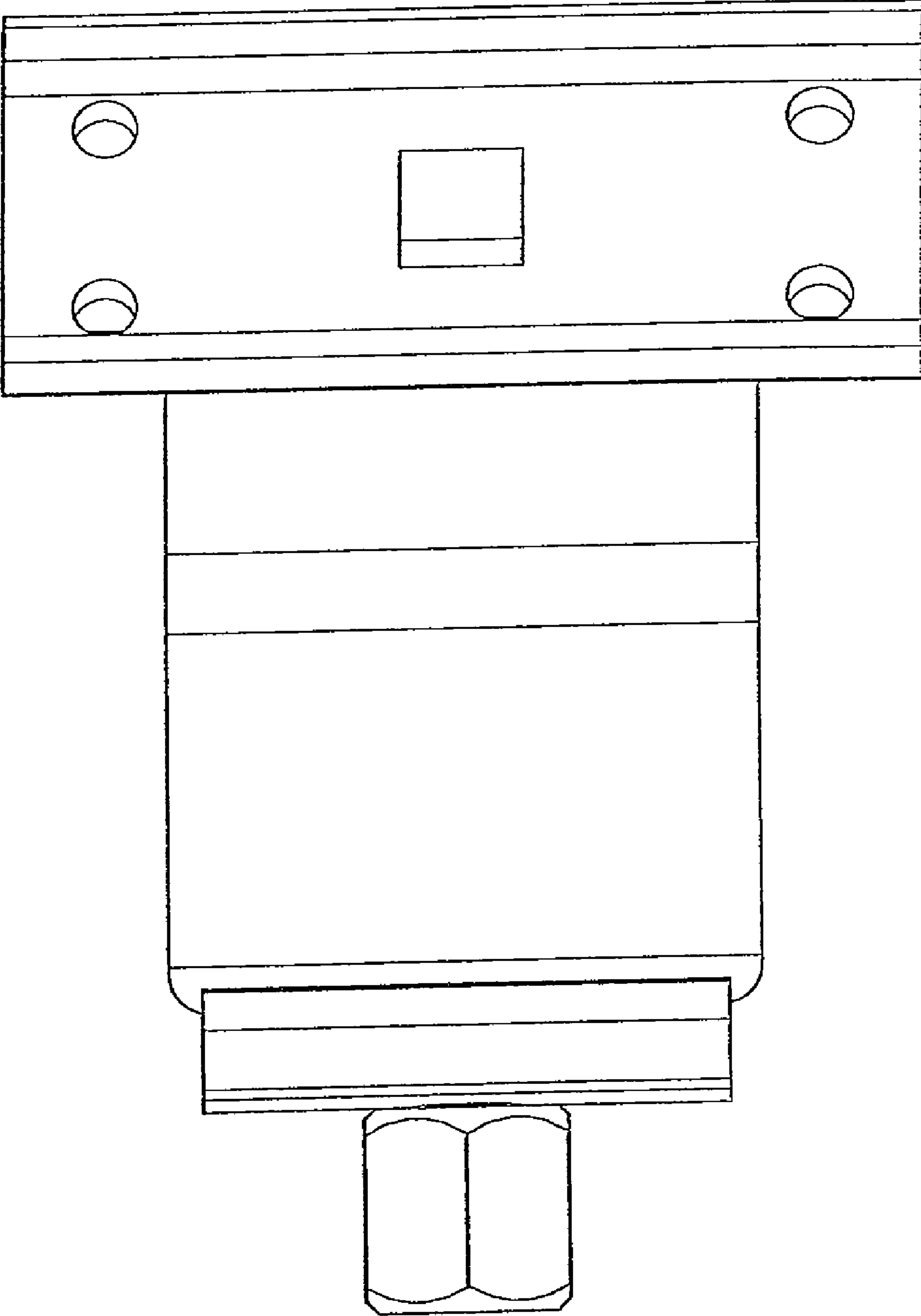


FIG. 6

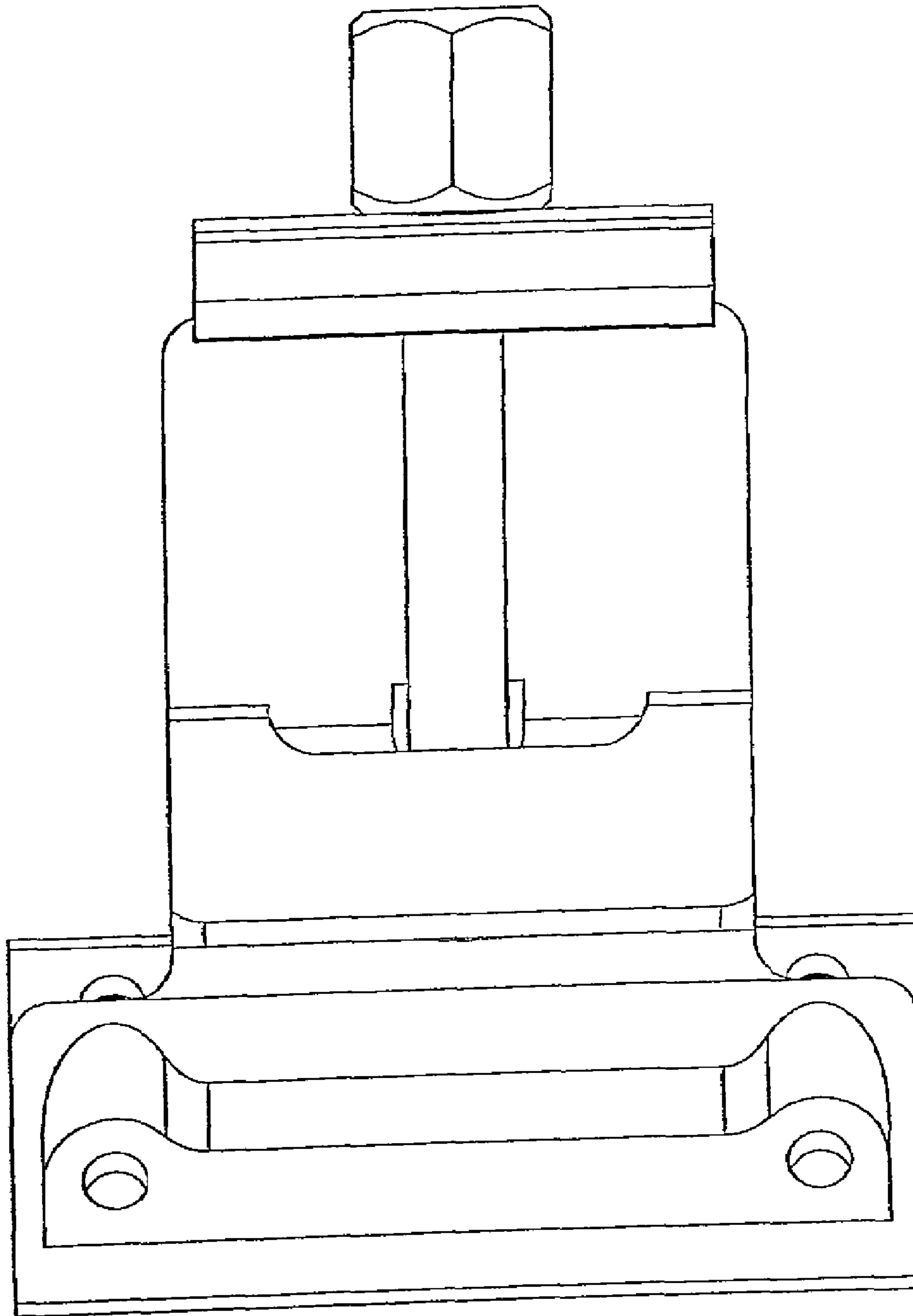


FIG. 7