



US00D591381S

(12) **United States Design Patent**
Horacek et al.

(10) **Patent No.:** **US D591,381 S**
(45) **Date of Patent:** **** Apr. 28, 2009**

(54) **GOLF CLUB HEAD**

JP A-2000-262656 9/2000

(75) Inventors: **Robert J. Horacek**, Hermosa Beach, CA (US); **Samuel G. Lacey**, Huntington Beach, CA (US); **Nathaniel J. Radcliffe**, Huntington Beach, CA (US); **John J. Rae**, Westminster, CA (US); **Ryan J. A. Ritchie**, Huntington Beach, CA (US)

OTHER PUBLICATIONS

Ellis, Jeffrey B.; "Francis Brewster's 'Simplex' wood head;" *The Clubmaker's Art: Antique Golf Clubs and Their History vol. I*; 2007 ppp. 240-242.
Ellis, Jeffrey B.; "Al Johnson's 'Duplex Putter,'" *The Clubmaker's Art: Antique Golf Clubs and Their History vol. II*; 2007; p. 528.

(73) Assignee: **Roger Cleveland Golf Co., Inc.**, Huntington Beach, CA (US)

(Continued)

Primary Examiner—Mitchell I Siegel
(74) *Attorney, Agent, or Firm*—Oloff & Berridge, PLC

(**) Term: **14 Years**

(57) **CLAIM**

(21) Appl. No.: **29/328,910**

The ornamental design for a golf club head, as shown and described.

(22) Filed: **Dec. 3, 2008**

(51) **LOC (9) Cl.** **21-02**
(52) **U.S. Cl.** **D21/759**
(58) **Field of Classification Search** D21/733,
D21/752, 759; 473/324-331, 343-346
See application file for complete search history.

DESCRIPTION

FIG. 1 is a top plan view of a golf club head embodying the inventive design.

(56) **References Cited**

U.S. PATENT DOCUMENTS

D401,301 S 11/1998 Cherevko
6,319,148 B1 11/2001 Tom
D464,098 S 10/2002 Thalhammer
D544,560 S * 6/2007 Oldknow D21/759
D544,938 S * 6/2007 Radcliffe et al. D21/759
D544,939 S * 6/2007 Radcliffe et al. D21/759
D553,210 S * 10/2007 Harvell et al. D21/752

FIG. 2 is bottom plan view thereof.

FIG. 3 is a front elevational view thereof.

FIG. 4 is a rear elevational view thereof.

FIG. 5 is a heel-side elevational view thereof.

FIG. 6 is a toe-side elevational view thereof.

FIG. 7 is a rear perspective view thereof; and,

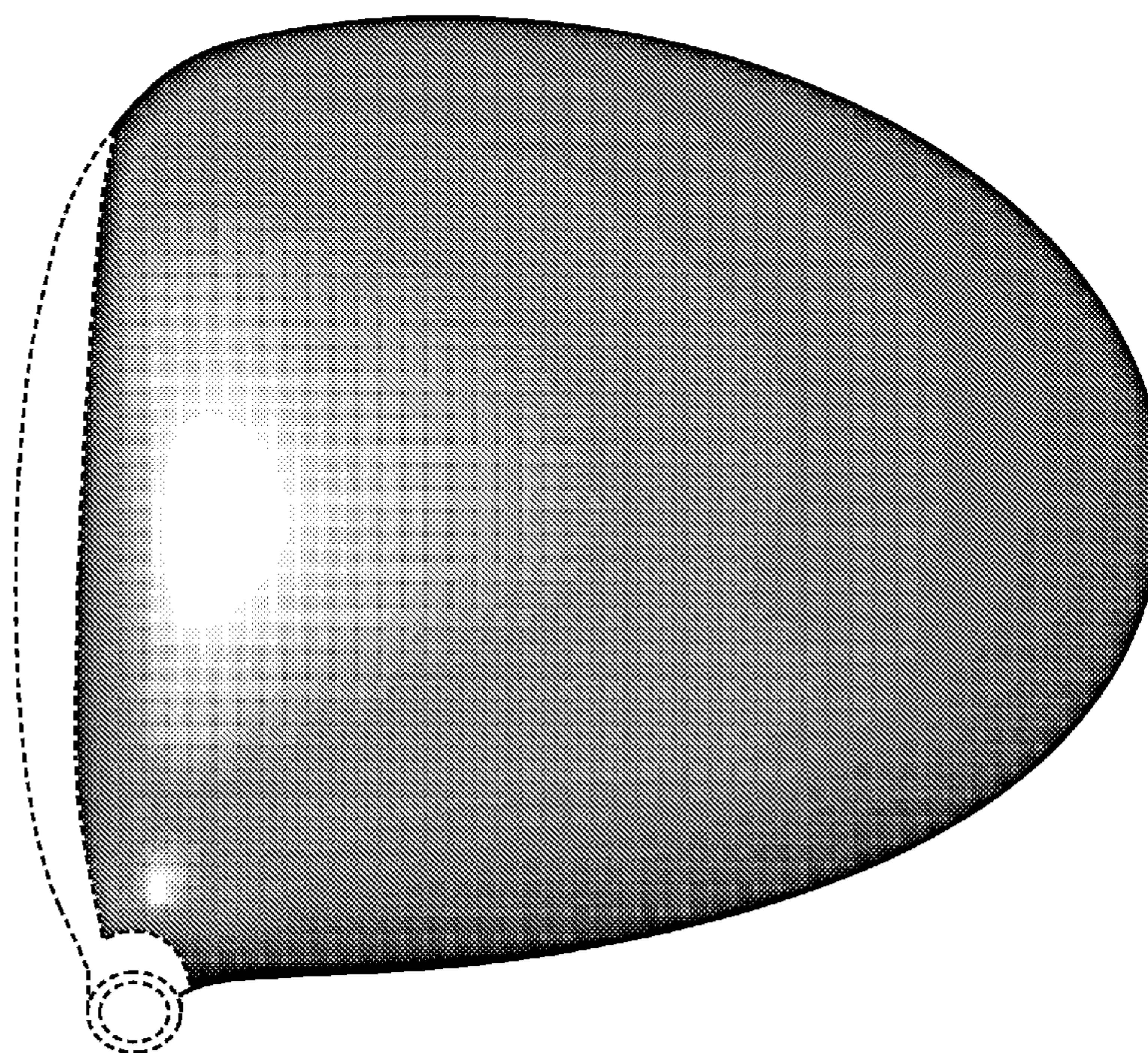
FIG. 8 is a front perspective view thereof.

The broken lines showing various portions of the golf club head are for illustrative purposes only and form no part of the claimed design.

FOREIGN PATENT DOCUMENTS

JP A-52-062531 5/1977

1 Claim, 8 Drawing Sheets



OTHER PUBLICATIONS

Ellis, Jeffrey B.; "'Dolphin' Driver," *The Clubmaker's Art: Antique Golf Clubs and Their History vol. 11*; 2007, p. 585.

Ellis, Jeffrey B.; "John William Moore's Square Shafter Driver," *The Clubmaker's Art: Antique Golf Clubs and Their History vol. II*; 2007; p. 636.

Ellis, Jeffrey B.; "Sylvan Jay Crooker's 'Streamliner' Woods," *The Clubmaker's Art: Antique Golf Clubs and Their History vol II*; 2007; pp. 662-663.

Ellis, Jeffrey B.; "Modern Alternations 'Jones' Woods," *The Clubmaker's Art: Antique Golf Clubs and Their History vol. II*; 2007; p. 750.

Ellis, Jeffrey B.; "C.H. Merrill's Center-Shafer Woods," *The Clubmaker's Art: Antique Golf Clubs and Their History*; 1997; p. 202.

Ellis, Jeffrey B.; "Henry R. Sweny's 'Crosshead' Driver," *The Clubmaker's Art: Antique Golf Clubs and Their History*; 1997; p. 203.

Ellis, Jeffrey B.; "Francis Brewster's 'Simplex' Crosshead Woods;" *The Clubmaker's Art: Antique Golf Clubs and Their History*; 1997; p. 204.

Ellis, Jeffrey B.; "'Dolphin' Driver;" *The Clubmaker's Art: Antique Golf Clubs and Their History*; 1997; p. 461.

John, Ronald O.; "J.C. Smith two-piece 'Torpedo Head' and Brewsters 'Simplex' cross head wood;" *The Vintage Era of Golf Club Collectibles Identification and Value Guide*; 2002; p. 36.

John, Ronald O.; "MacGregor 'Streamliner' Driver;" *The Vintage Era of Golf Club Collectibles Identification and Value Guide*; 2002; p. 37.

Ellis, Jeffrey B.; "'Dolphin' Driver;" *The Golf Club: 400 years of the Good, the Beautiful and the Creative*; 2003; p. 80.

* cited by examiner

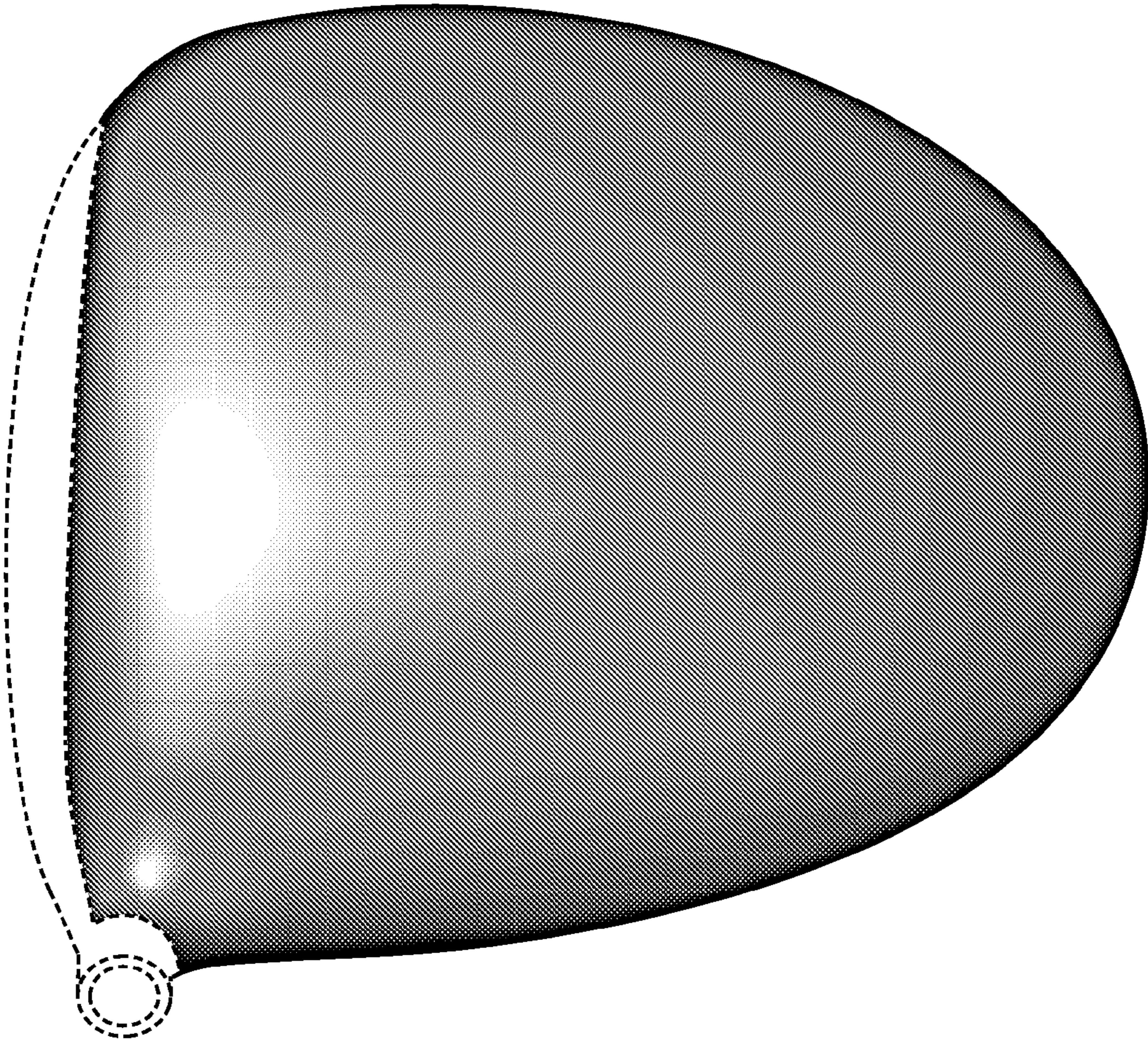


FIG. 1

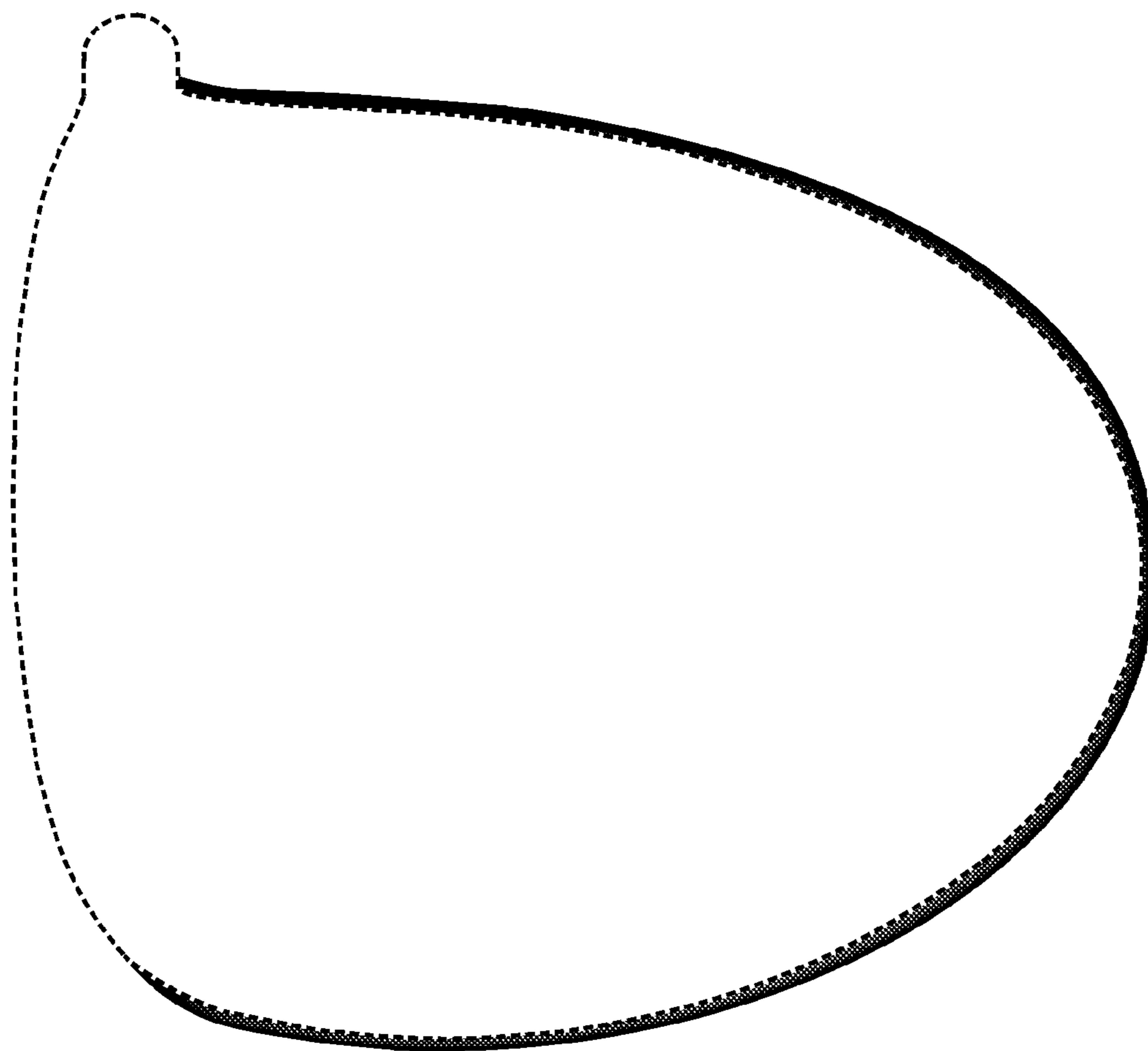


FIG. 2

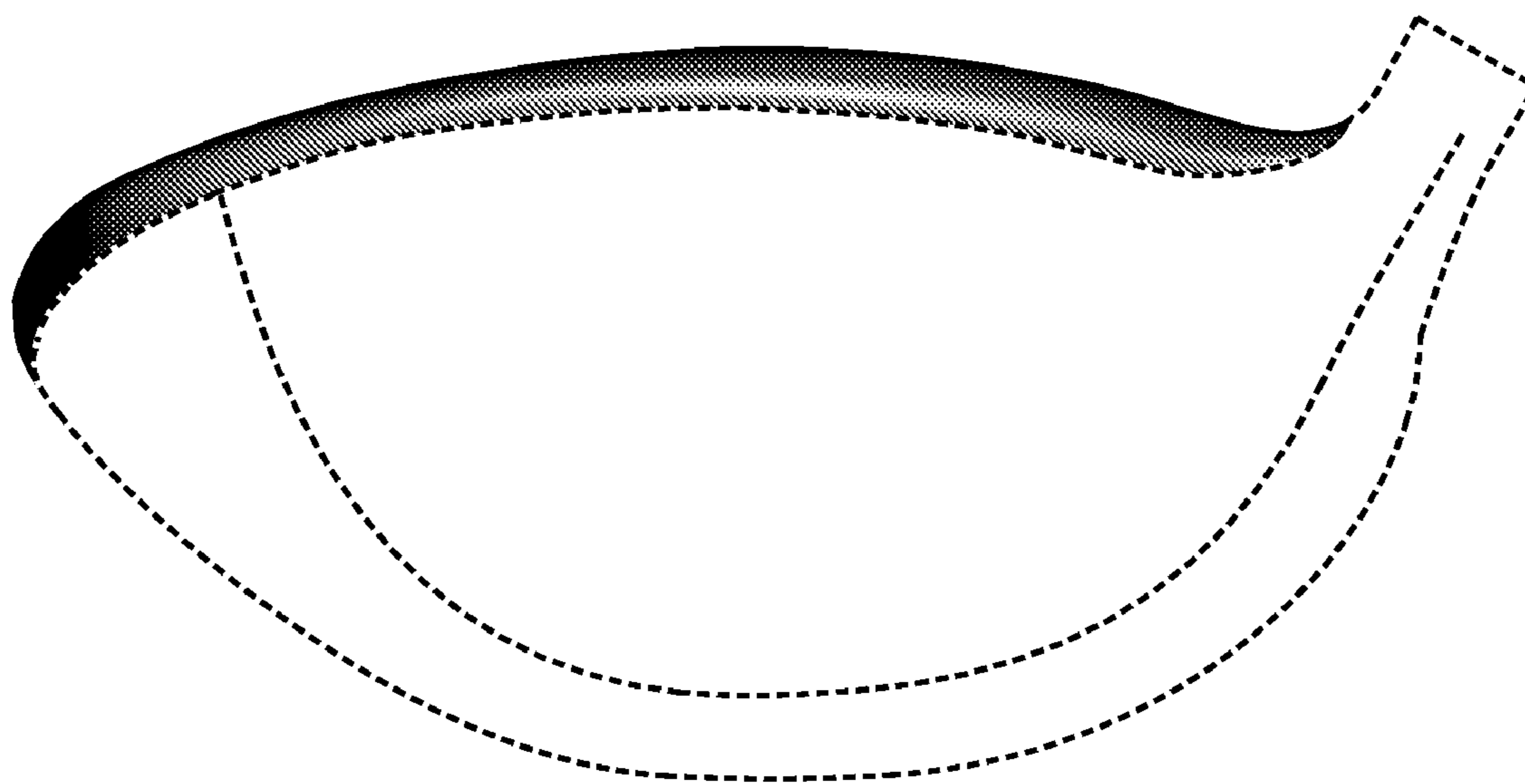


FIG. 3

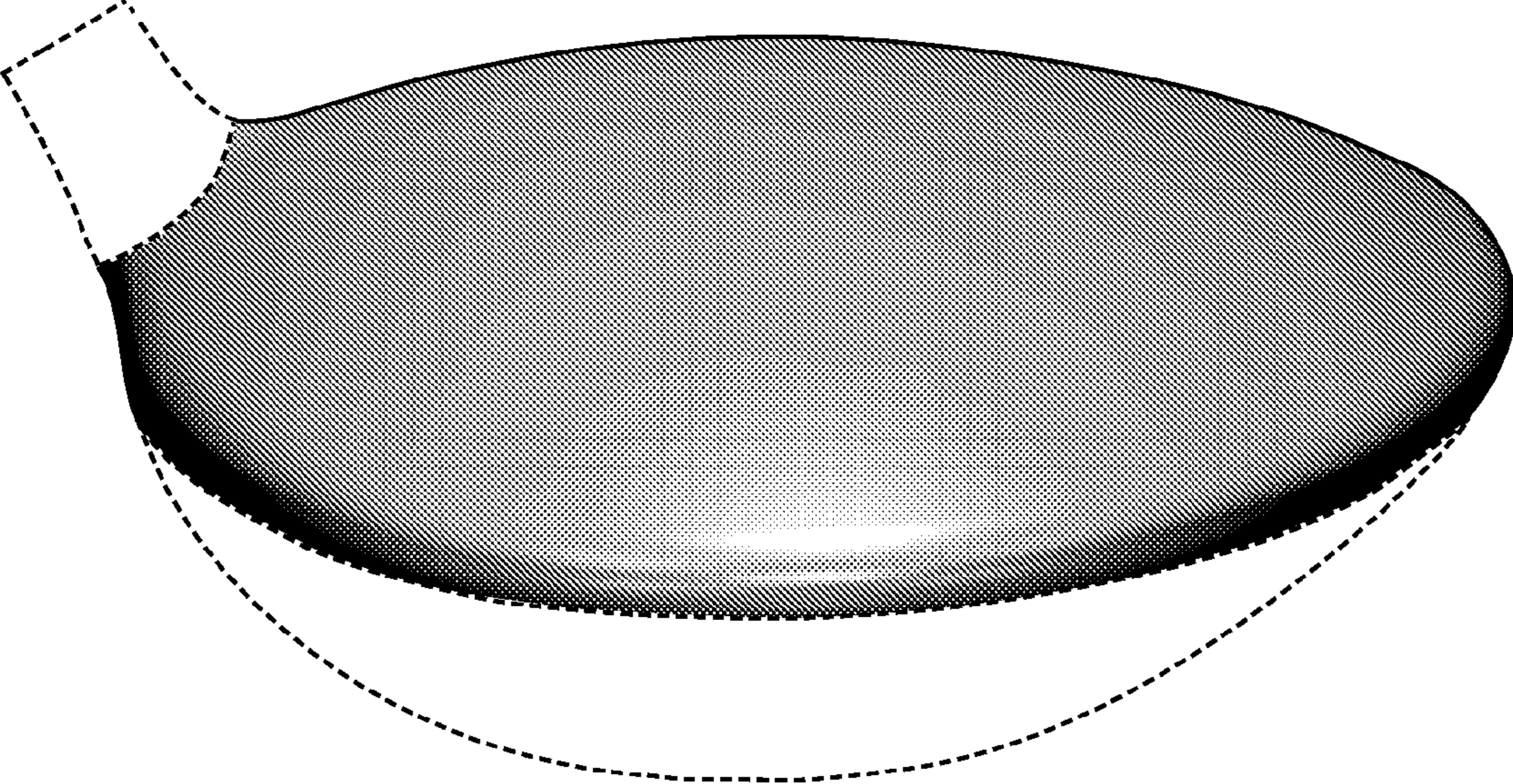


FIG. 4

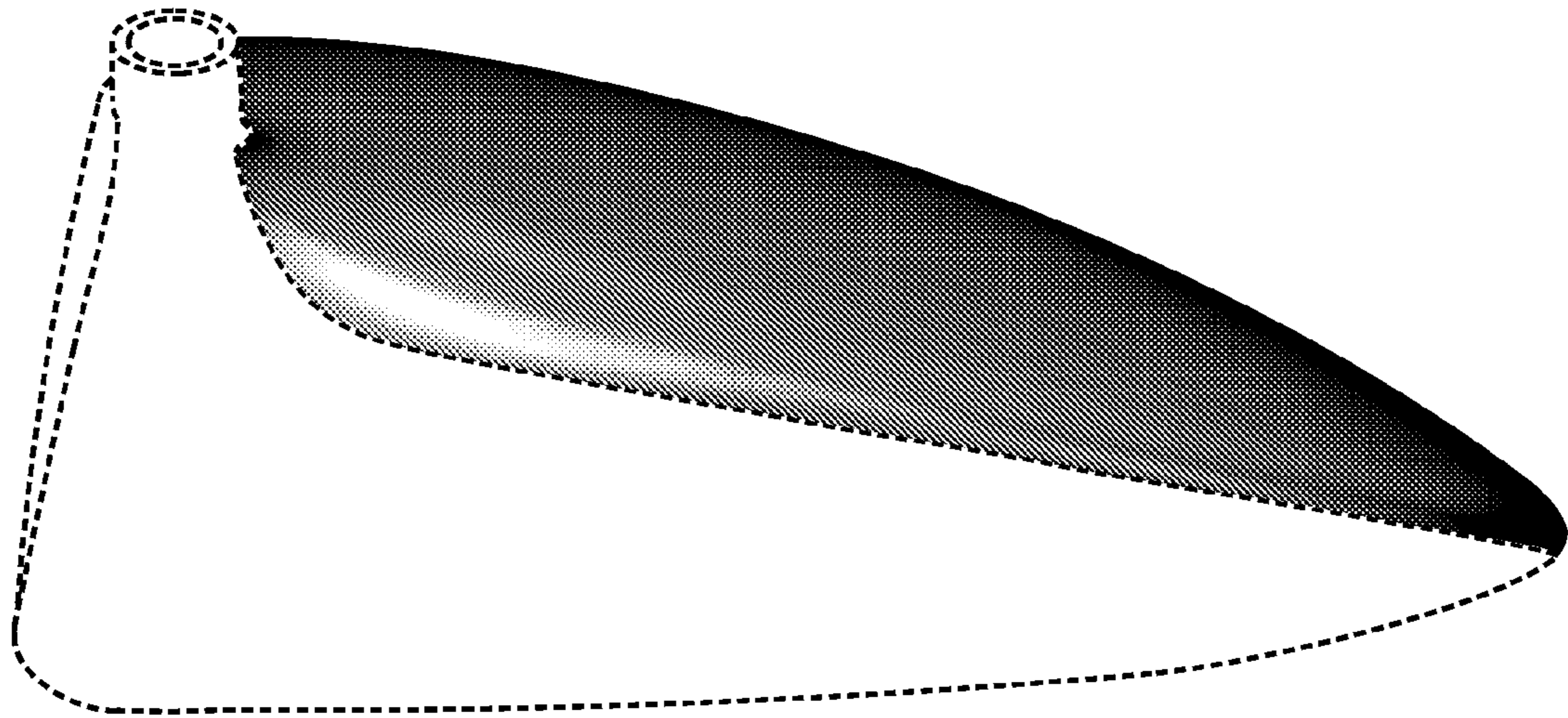


FIG. 5

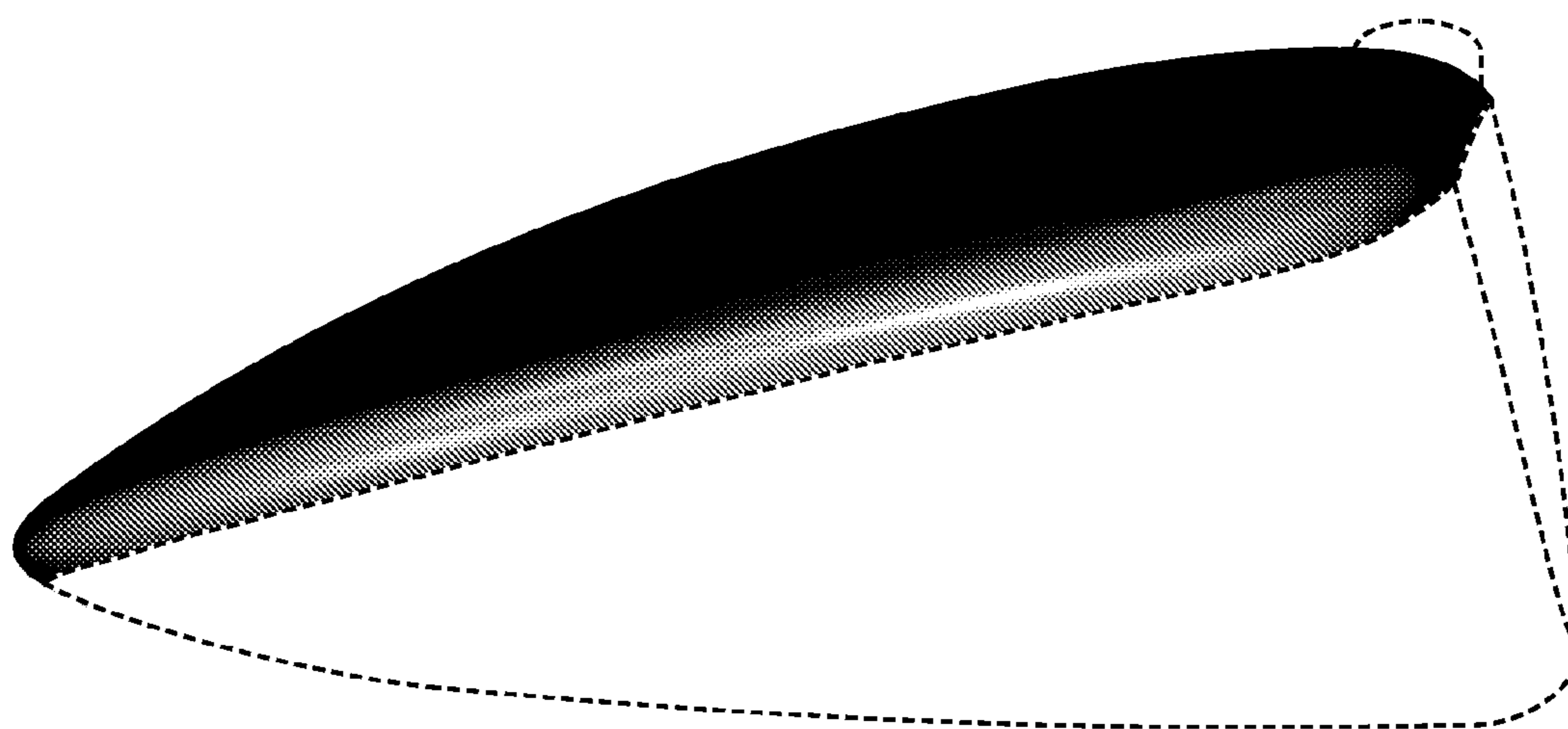


FIG. 6

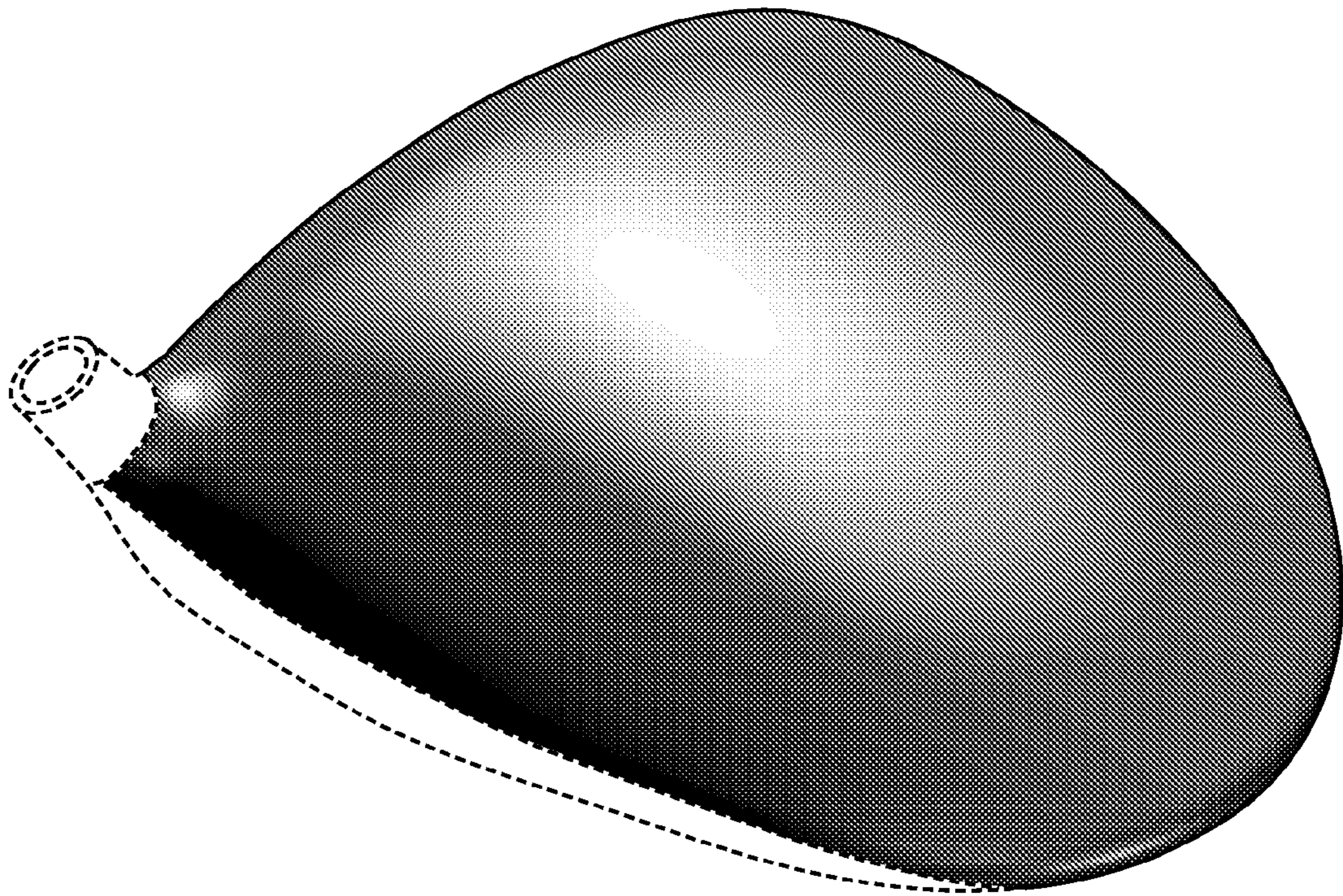


FIG. 7

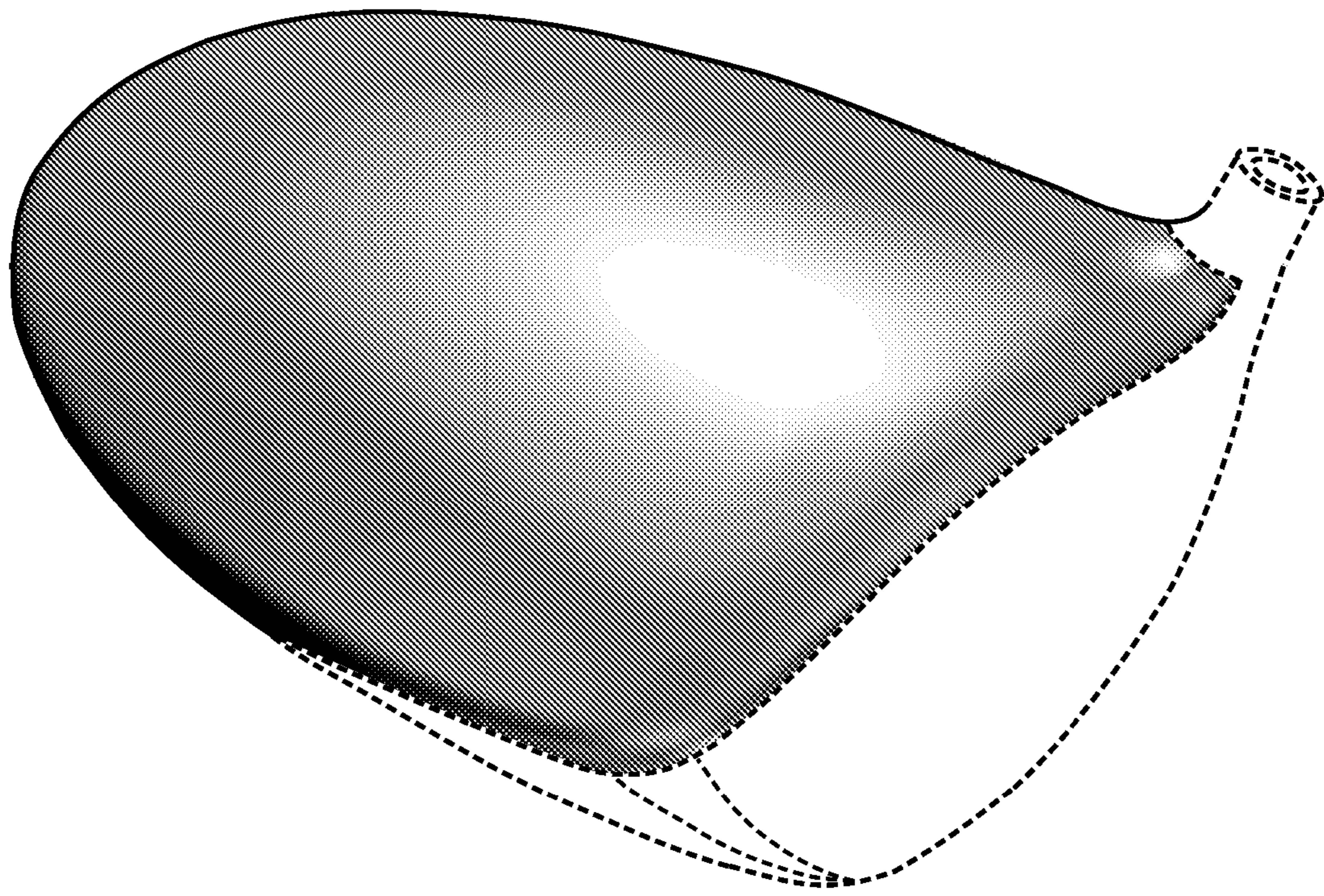


FIG. 8