



US00D591376S

(12) **United States Design Patent**  
**Evans et al.**

(10) **Patent No.:** **US D591,376 S**  
(45) **Date of Patent:** **\*\* \*Apr. 28, 2009**

(54) **TIP END OF A GOLF CLUB SHAFT**

(75) Inventors: **D. Clayton Evans**, San Marcos, CA (US); **Matthew T. Cackett**, San Diego, CA (US); **J. Neil Hall**, Carlsbad, CA (US); **Brandon D. DeMille**, Encinitas, CA (US); **Alan Hocknell**, Carlsbad, CA (US)

(73) Assignee: **Callaway Golf Company**, Carlsbad, CA (US)

(\*) Notice: This patent is subject to a terminal disclaimer.

(\*\*) Term: **14 Years**

(21) Appl. No.: **29/299,433**

(22) Filed: **Dec. 26, 2007**

(51) **LOC (9) Cl.** ..... **21-02**

(52) **U.S. Cl.** ..... **D21/759**

(58) **Field of Classification Search** ..... D21/753,  
D21/759, 756, 757; 473/300–323

See application file for complete search history.

(56) **References Cited**

**U.S. PATENT DOCUMENTS**

|              |      |         |                 |         |
|--------------|------|---------|-----------------|---------|
| 5,324,033    | A *  | 6/1994  | Fenton, Jr.     | 473/305 |
| D393,678     | S *  | 4/1998  | Jones et al.    | D21/759 |
| D434,822     | S *  | 12/2000 | Jacobson et al. | D21/759 |
| 6,352,482    | B1 * | 3/2002  | Jacobson et al. | 473/310 |
| 6,547,673    | B2 * | 4/2003  | Roark           | 473/239 |
| 6,620,053    | B2 * | 9/2003  | Tseng           | 473/297 |
| 6,769,996    | B2 * | 8/2004  | Tseng           | 473/306 |
| 7,083,529    | B2 * | 8/2006  | Cackett et al.  | 473/309 |
| D537,896     | S *  | 3/2007  | Holt et al.     | D21/759 |
| 2004/0018887 | A1 * | 1/2004  | Burrows         | 473/307 |

\* cited by examiner

*Primary Examiner*—Mitchell I Siegel

(74) *Attorney, Agent, or Firm*—Michael A. Catania; Elaine H. Lo

(57) **CLAIM**

The ornamental design for a tip end of a golf club shaft, as shown and described.

**DESCRIPTION**

FIG. 1 is a bottom perspective view of a portion of a tip end of a golf club shaft, the broken line showing of a fragmented golf club shaft is included for the purposes of illustrating and forms no part of the claimed design;

FIG. 2 is an additional bottom perspective view of a portion of a tip end of a golf club shaft rotated slightly from the position in FIG. 1;

FIG. 3 is a top perspective view of a portion of a tip end of a golf club shaft;

FIG. 4 is an additional top perspective view of a portion of a tip end of a golf club shaft rotated slightly from the position in FIG. 3;

FIG. 5 is a perspective view of a portion of a tip end of a golf club shaft looking down the shaft;

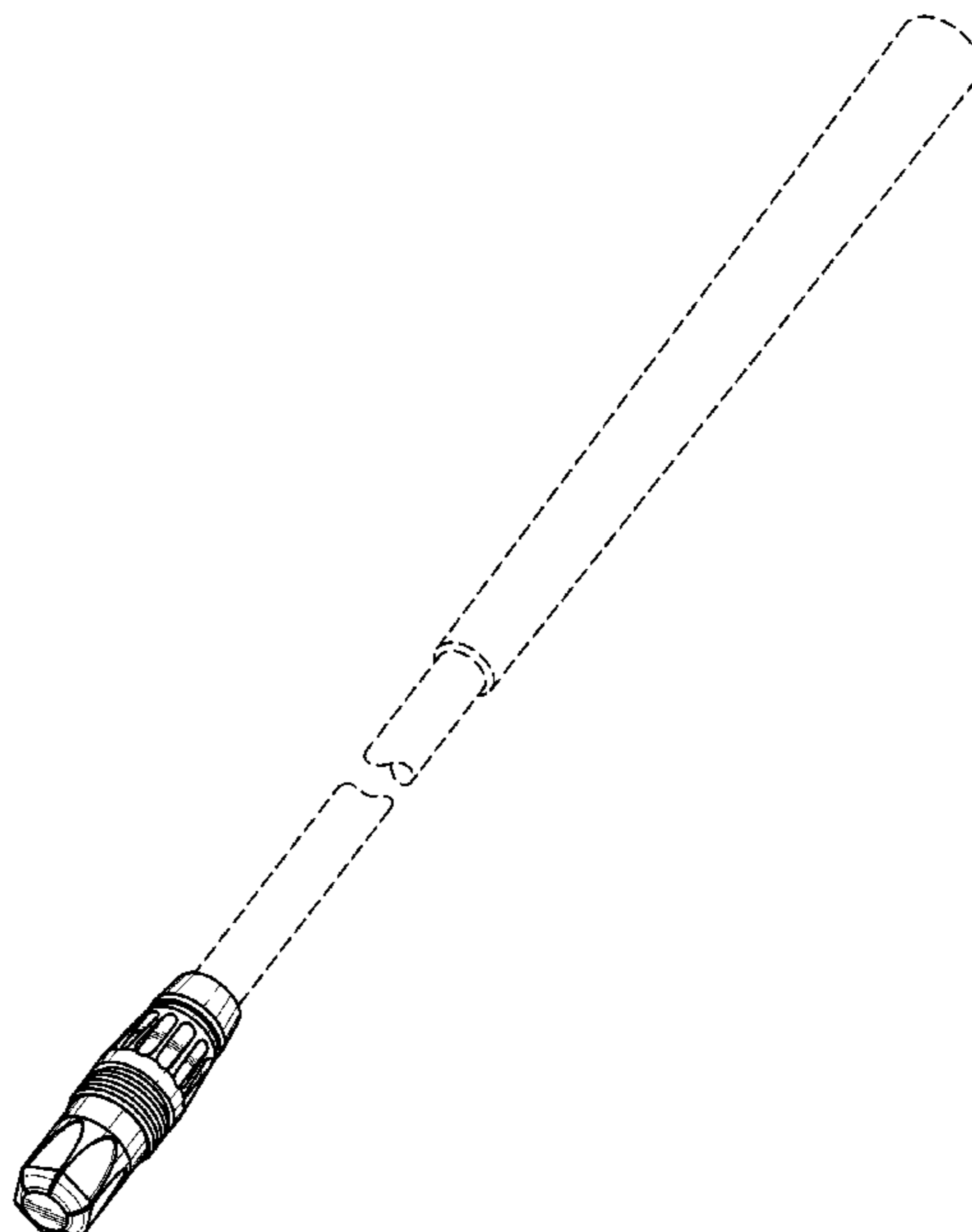
FIG. 6 is a front elevated view of a portion of a tip end of a golf club shaft;

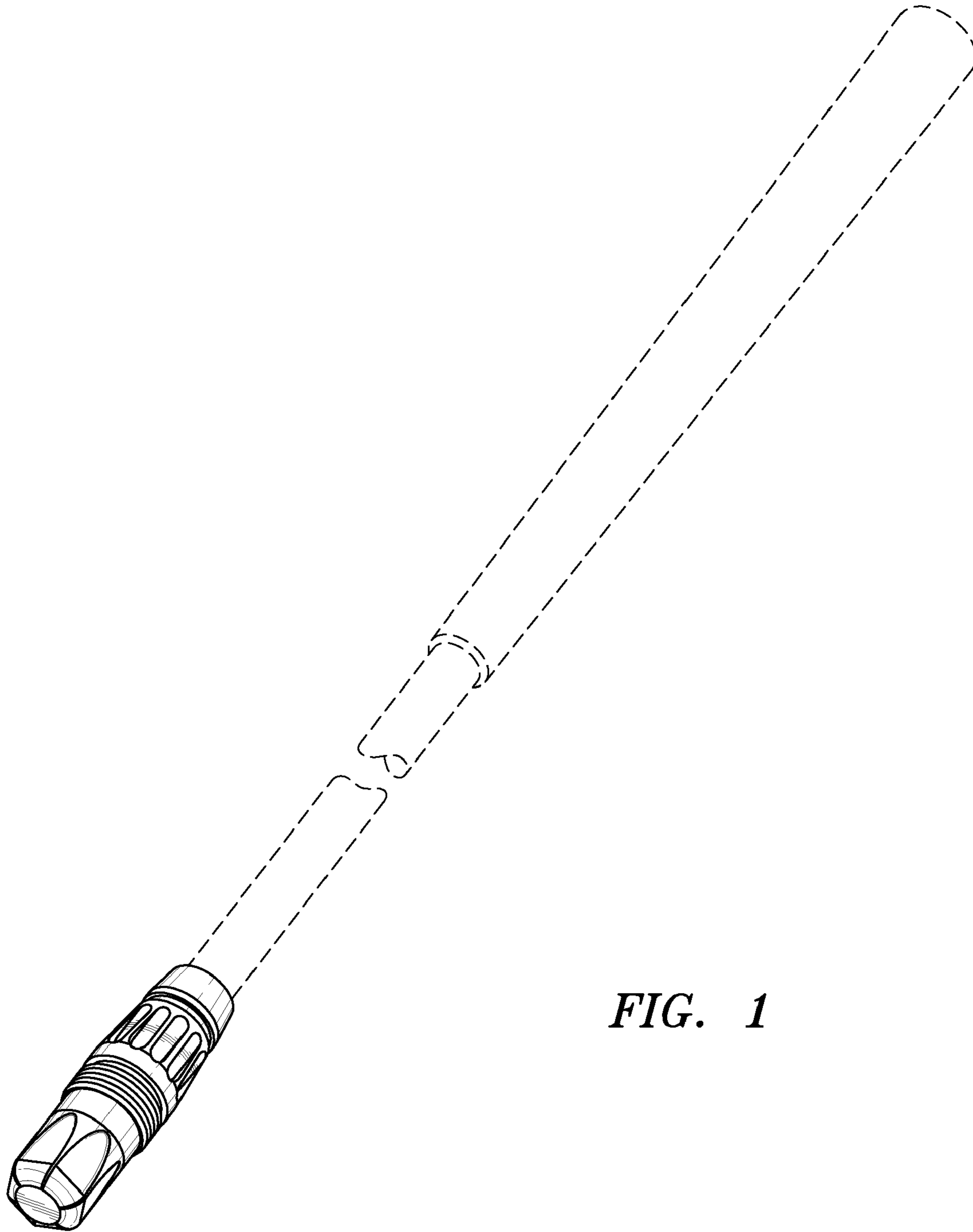
FIG. 7 is a front elevated view of a portion of a tip end of a golf club shaft rotated slightly from the position in FIG. 6;

FIG. 8 is a front elevated view of a portion of a tip end of a golf club shaft rotated slightly from the position in FIG. 7; and,

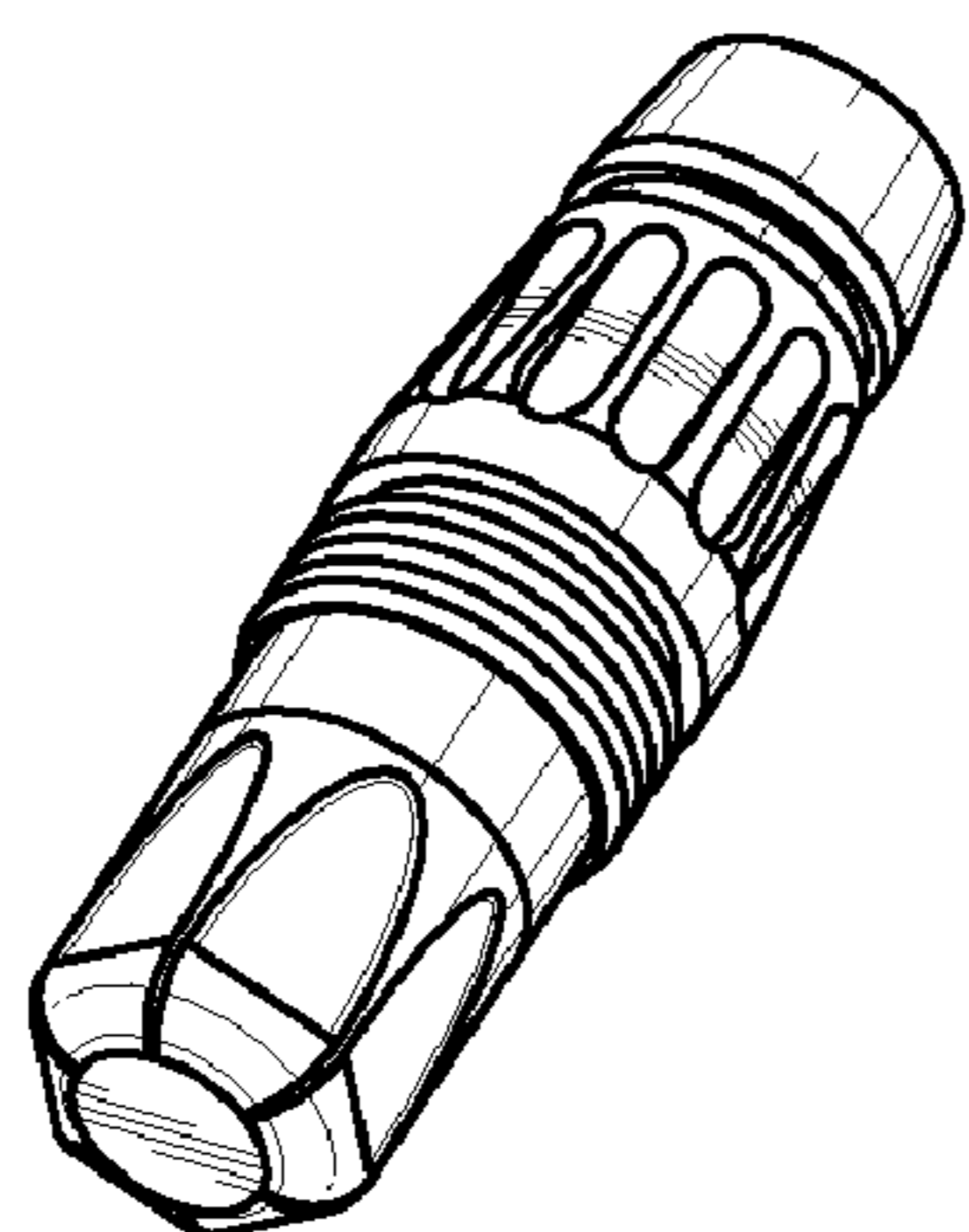
FIG. 9 is bottom plan view of a portion of a tip end of a golf club shaft.

**1 Claim, 3 Drawing Sheets**

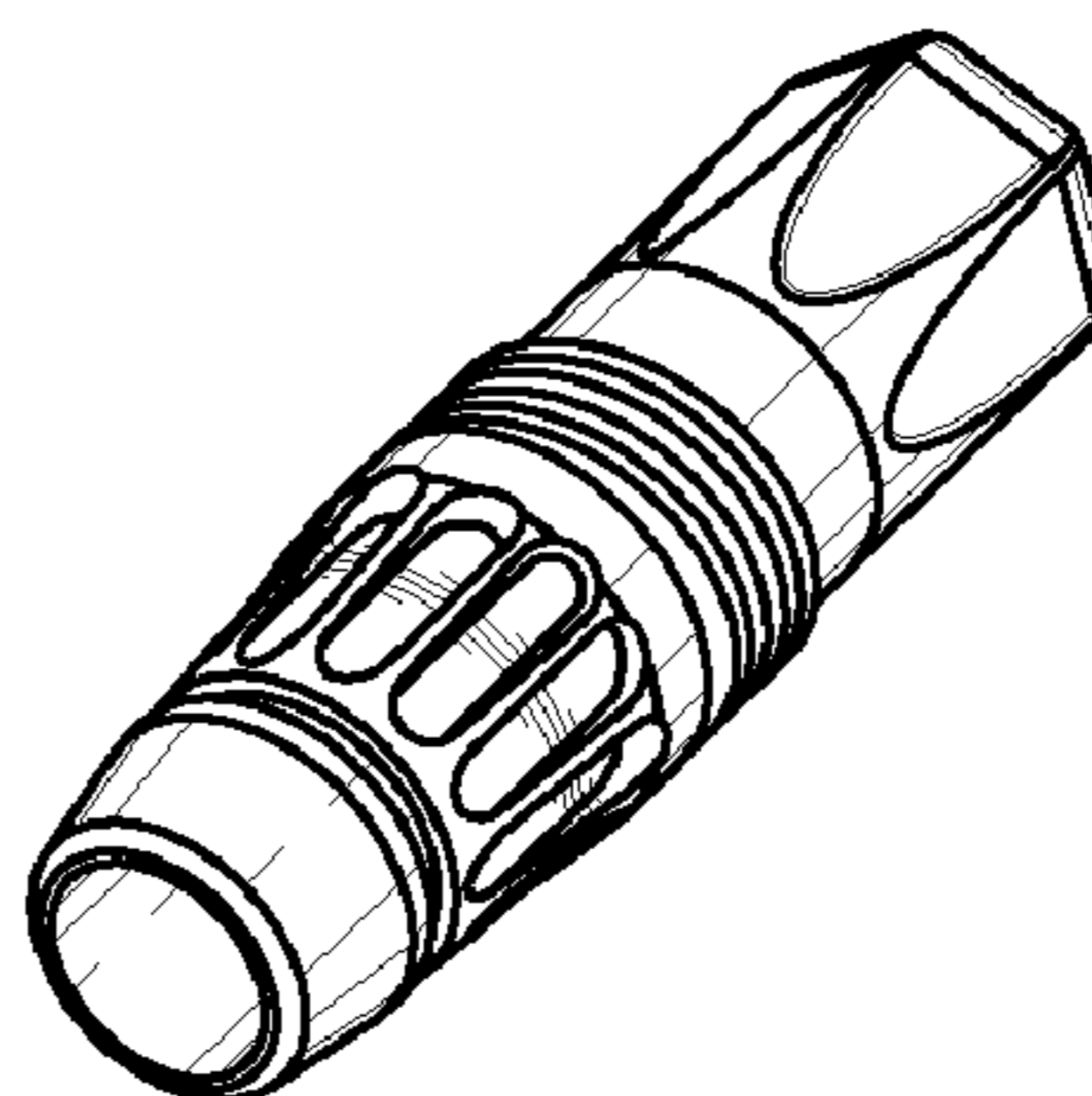




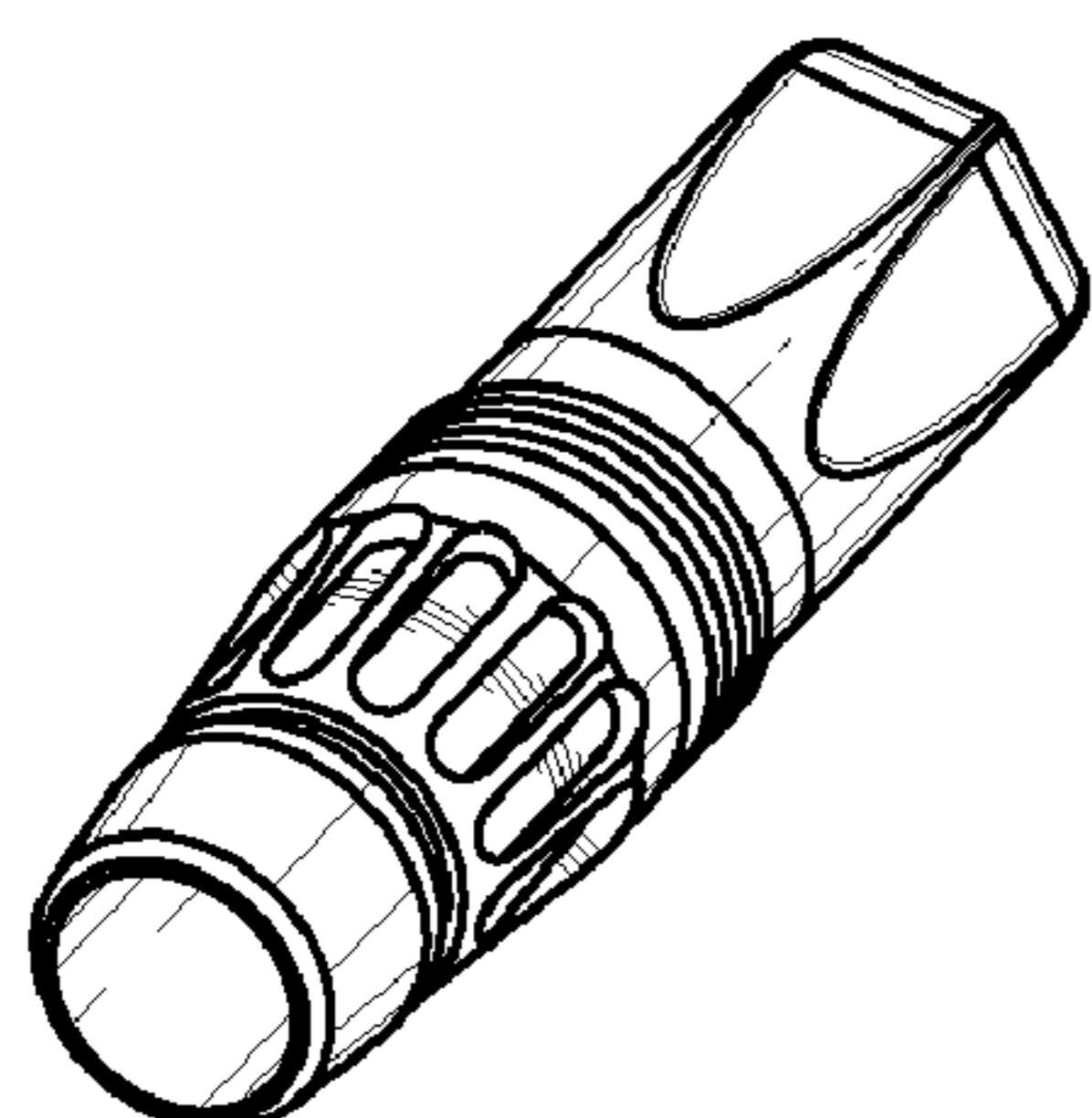
*FIG. 1*



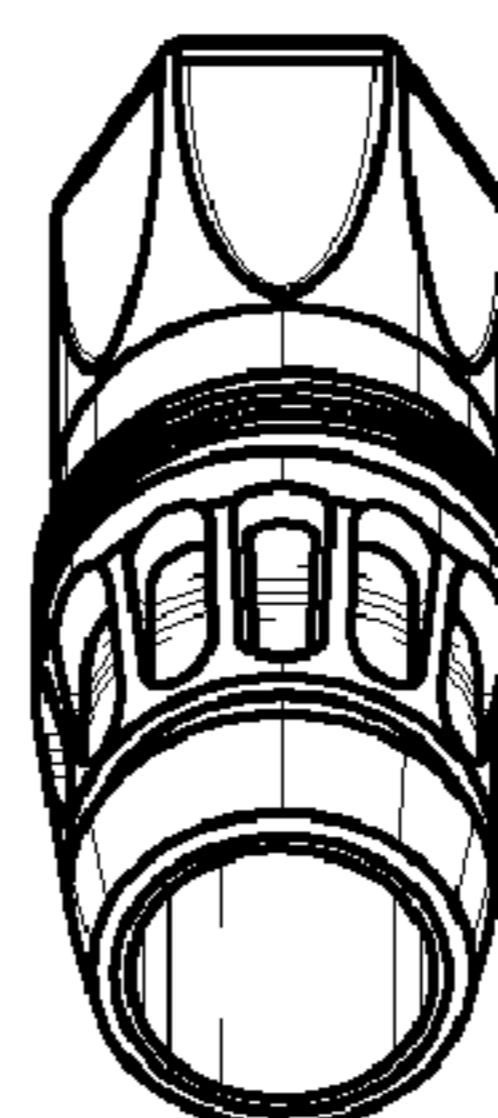
*FIG. 2*



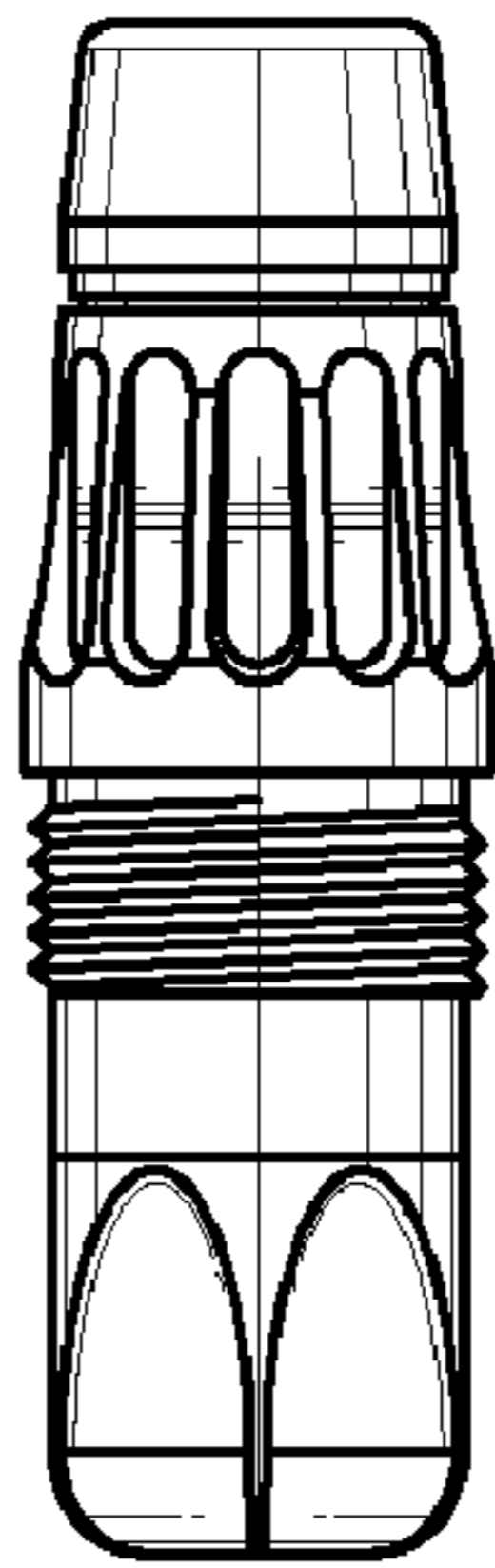
*FIG. 3*



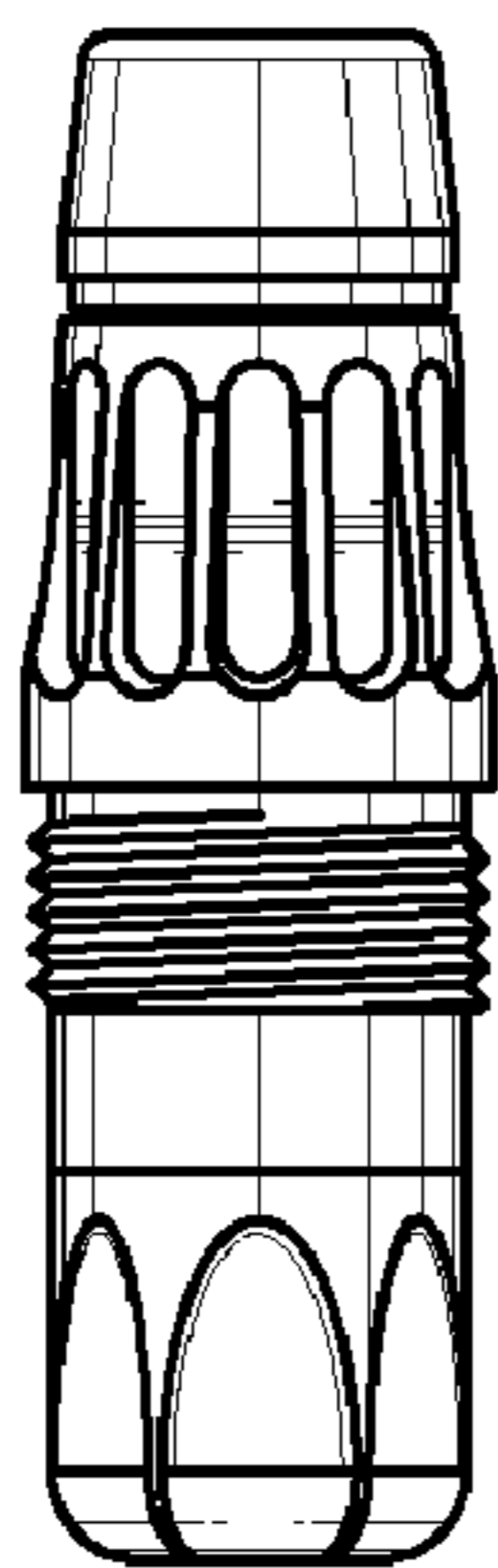
*FIG. 4*



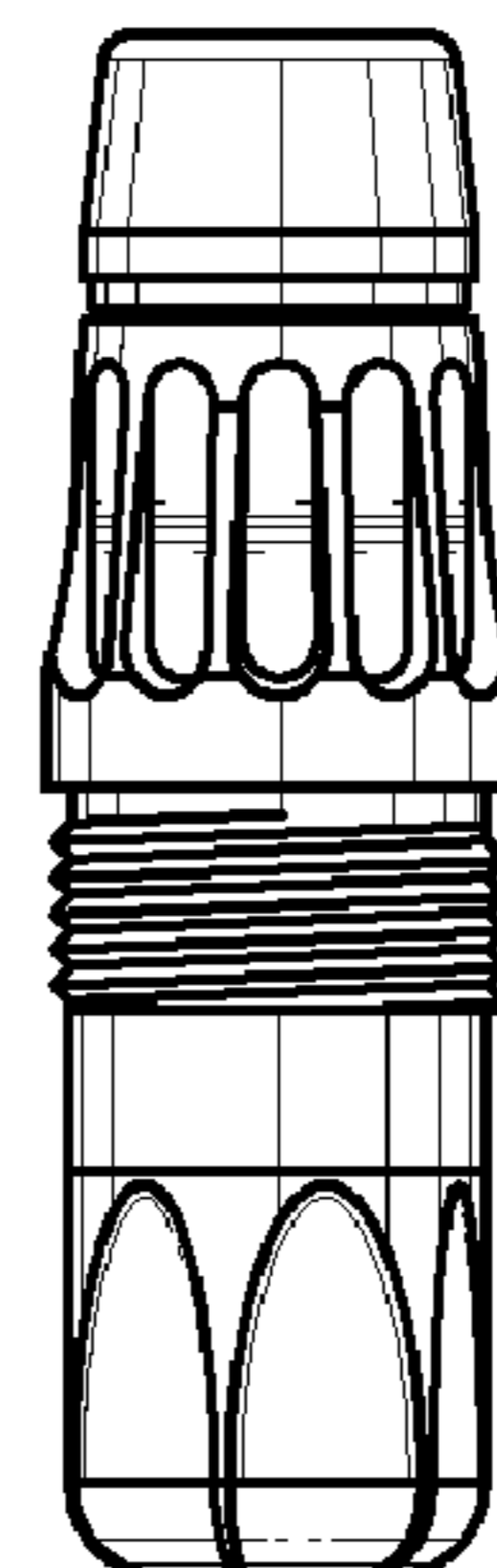
*FIG. 5*



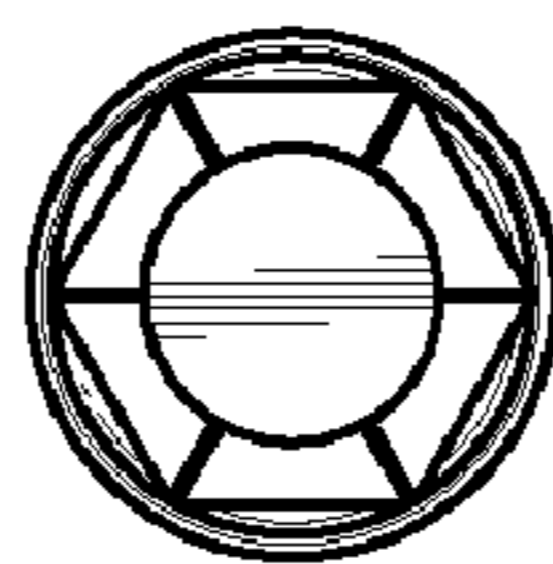
*FIG. 6*



*FIG. 7*



*FIG. 8*



*FIG. 9*