

US00D591373S

(12) **United States Design Patent**  
**Foster et al.**

(10) **Patent No.:** **US D591,373 S**

(45) **Date of Patent:** **\*\* Apr. 28, 2009**

(54) **IRON GOLF CLUB**

5,549,297 A \* 8/1996 Mahaffey ..... 473/290

(75) Inventors: **Philip G. Foster**, Carlsbad, CA (US);  
**Luke R. Williams**, Carlsbad, CA (US)

\* cited by examiner

*Primary Examiner*—Mitchell I Siegel  
(74) *Attorney, Agent, or Firm*—Michael A. Catania; Elaine H. Lo

(73) Assignee: **Callaway Golf Company**, Carlsbad, CA (US)

(57) **CLAIM**

(\*\*) Term: **14 Years**

The ornamental design for an iron golf club, as shown and described.

(21) Appl. No.: **29/320,139**

**DESCRIPTION**

(22) Filed: **Jun. 20, 2008**

(51) **LOC (9) Cl.** ..... **21-02**

(52) **U.S. Cl.** ..... **D21/747**

(58) **Field of Classification Search** ..... D21/747-751;  
473/324-331, 350

See application file for complete search history.

FIG. 1 is a rear elevational view of a golf club head;  
FIG. 2 is a front elevational view thereof;  
FIG. 3 is a top perspective view thereof;  
FIG. 4 is a bottom perspective view thereof;  
FIG. 5 is a heel side elevational view thereof;  
FIG. 6 is a toe side elevational view thereof; and,  
FIG. 7 is a rear perspective view thereof.

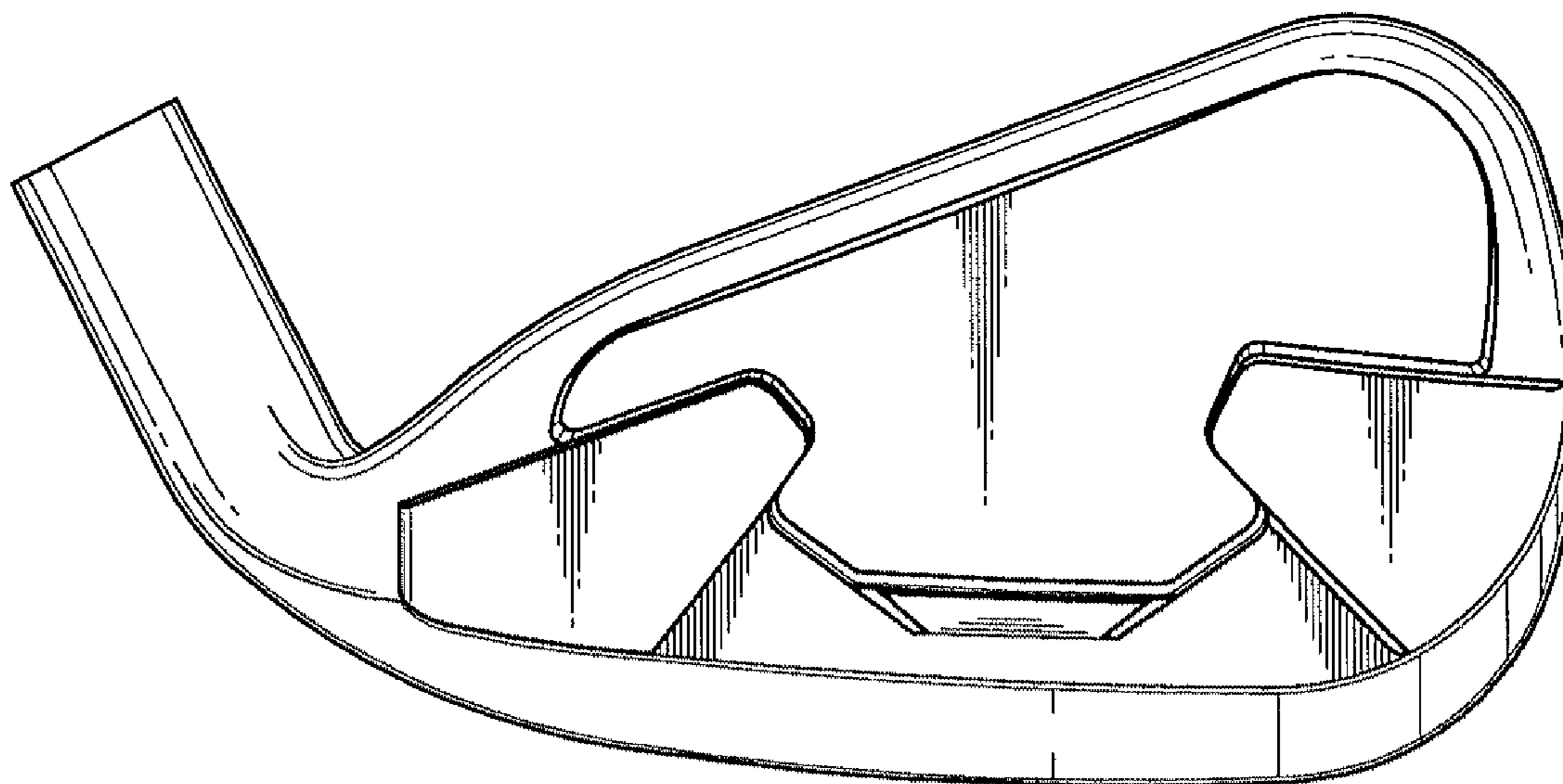
The broken line showing is included for the purpose of illustrating and forms no part of the claimed design.

(56) **References Cited**

**U.S. PATENT DOCUMENTS**

- D327,720 S \* 7/1992 Antonious ..... D21/748
- D328,116 S \* 7/1992 Antonious ..... D21/748
- D360,923 S \* 8/1995 Antonious ..... D21/748

**1 Claim, 2 Drawing Sheets**



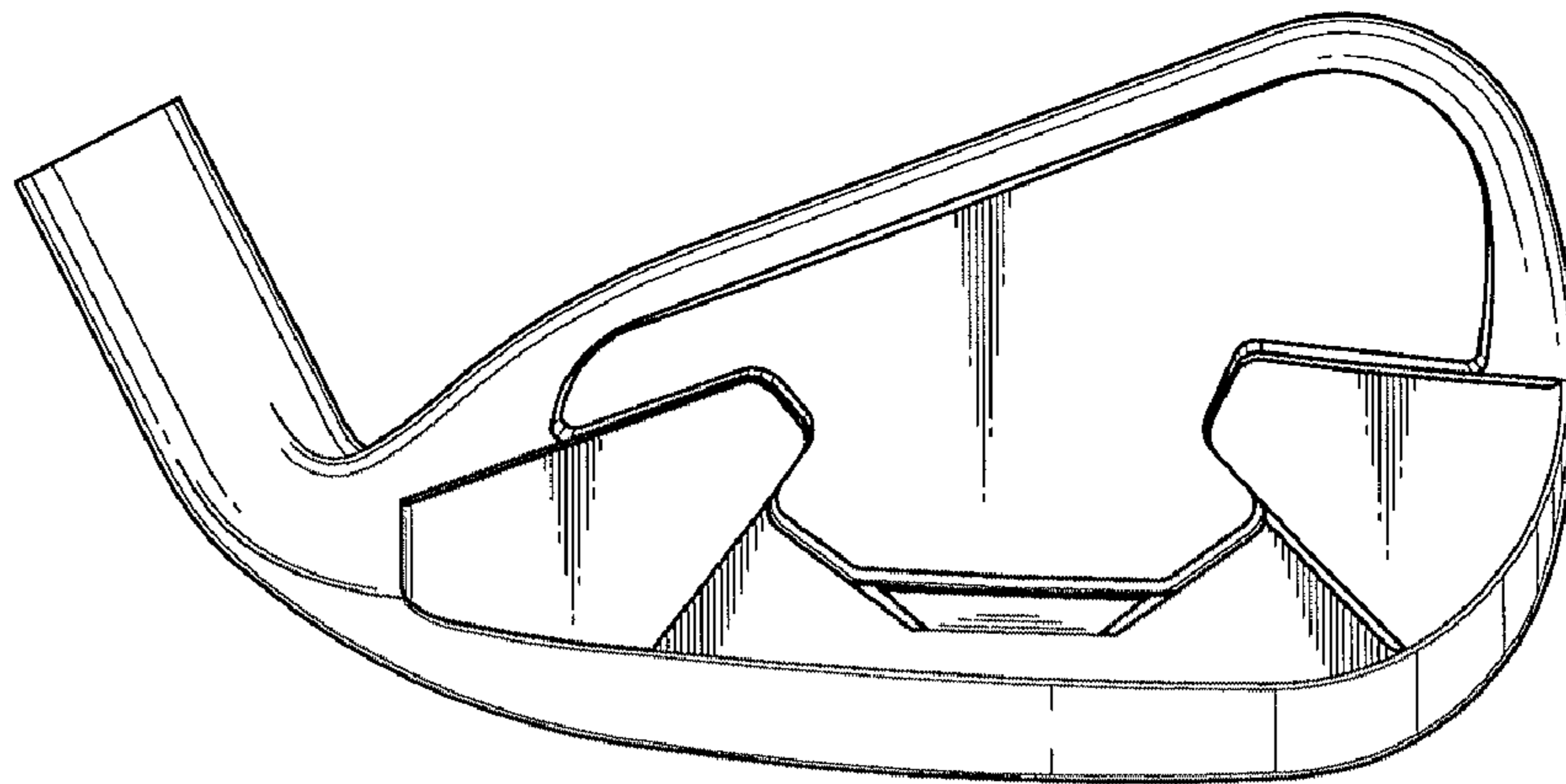


FIG. 1

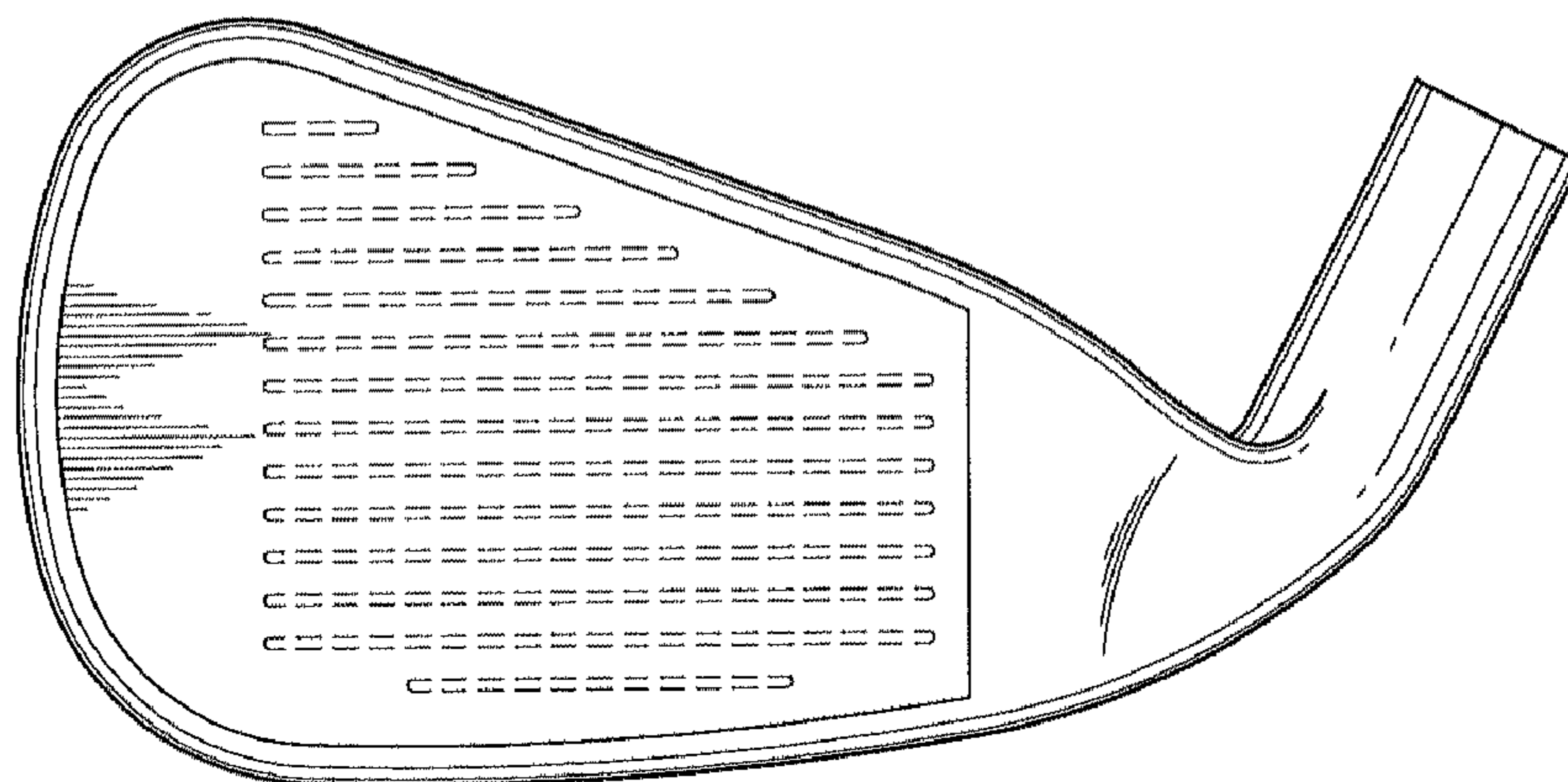


FIG. 2

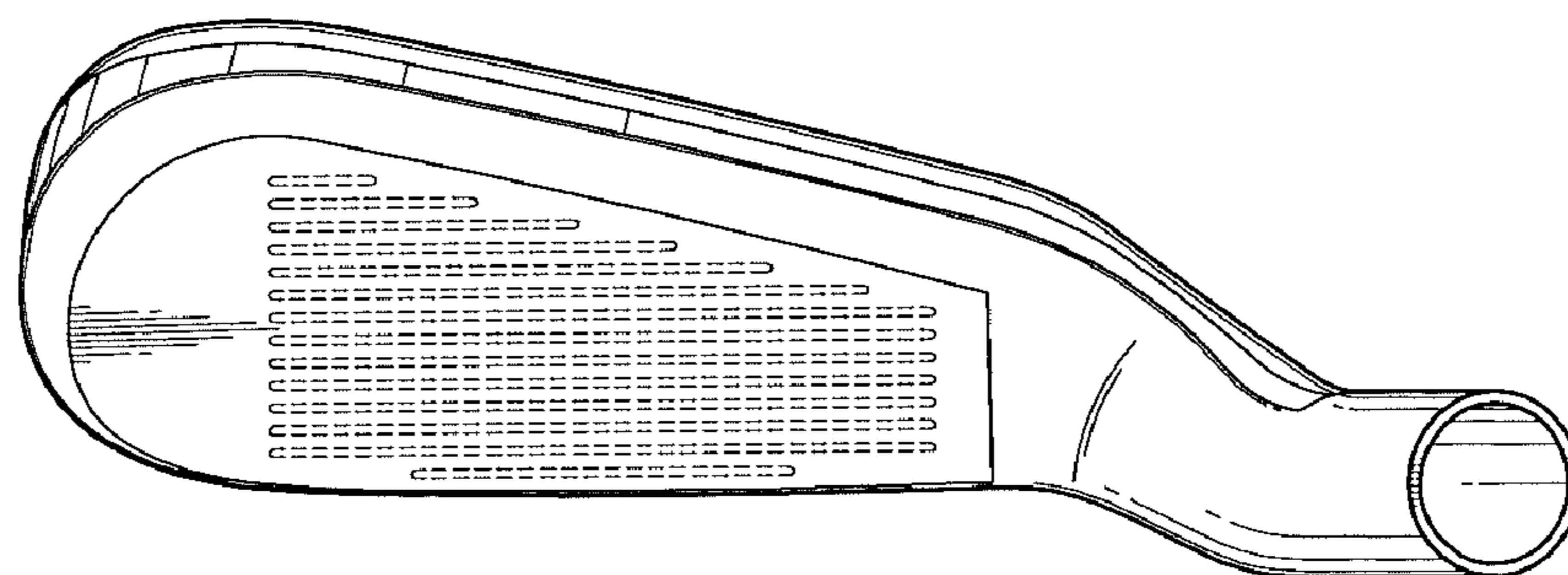


FIG. 3

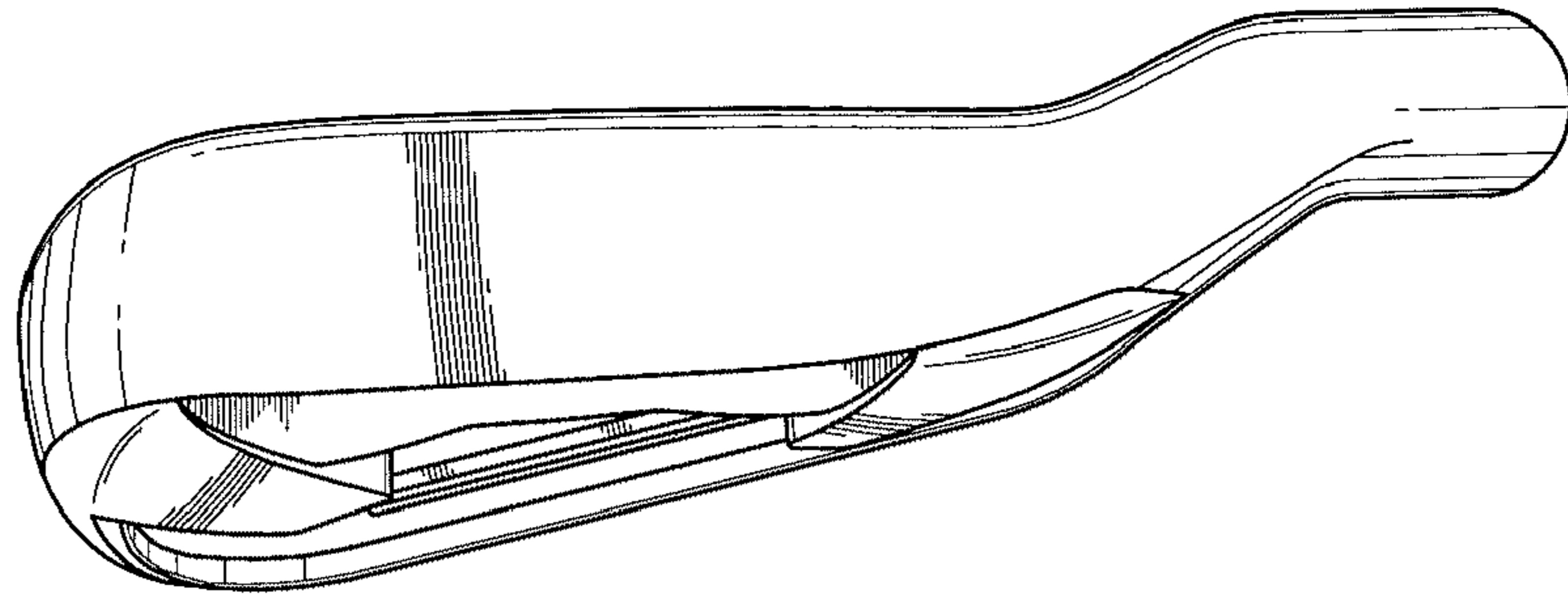


FIG. 4

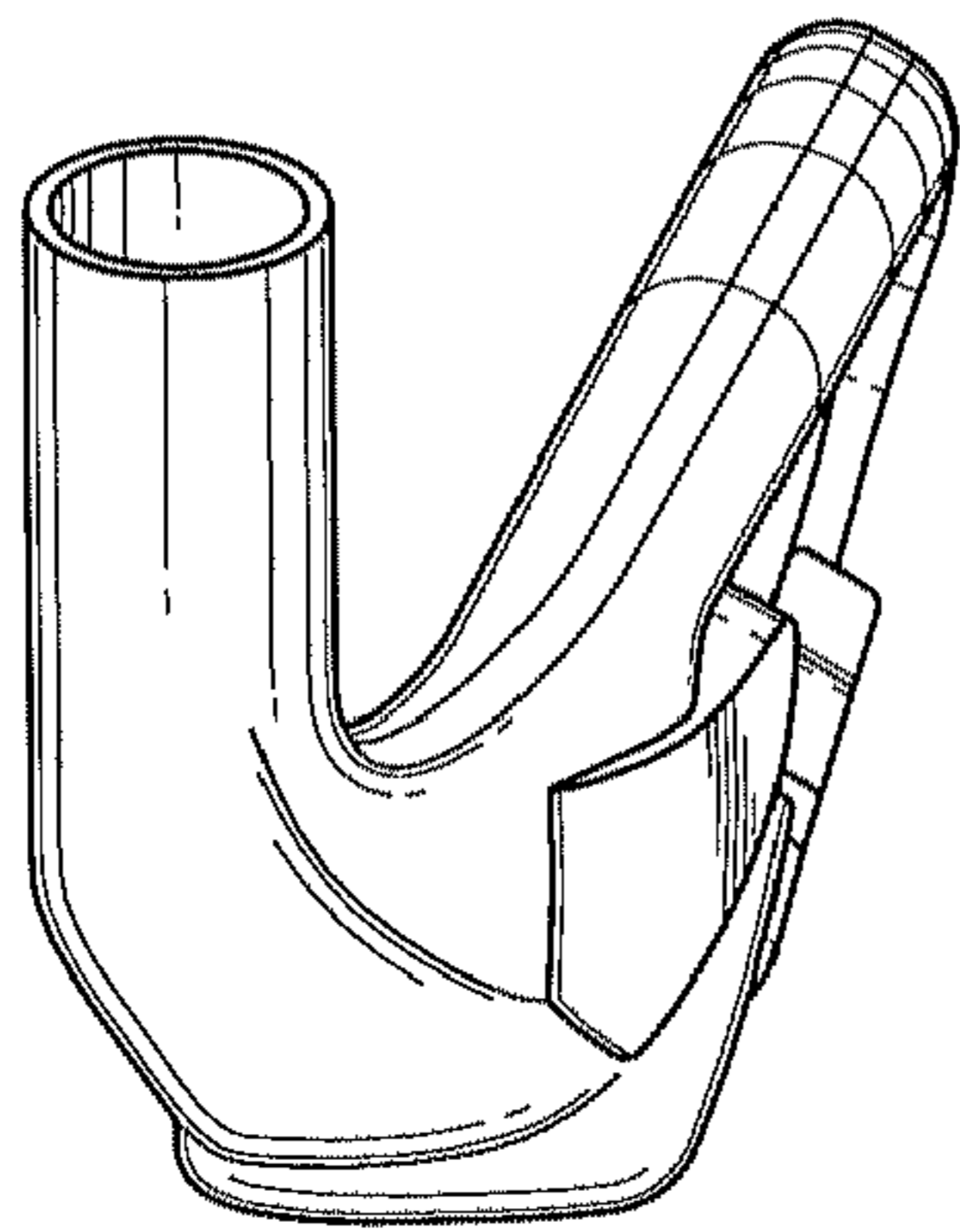


FIG. 5

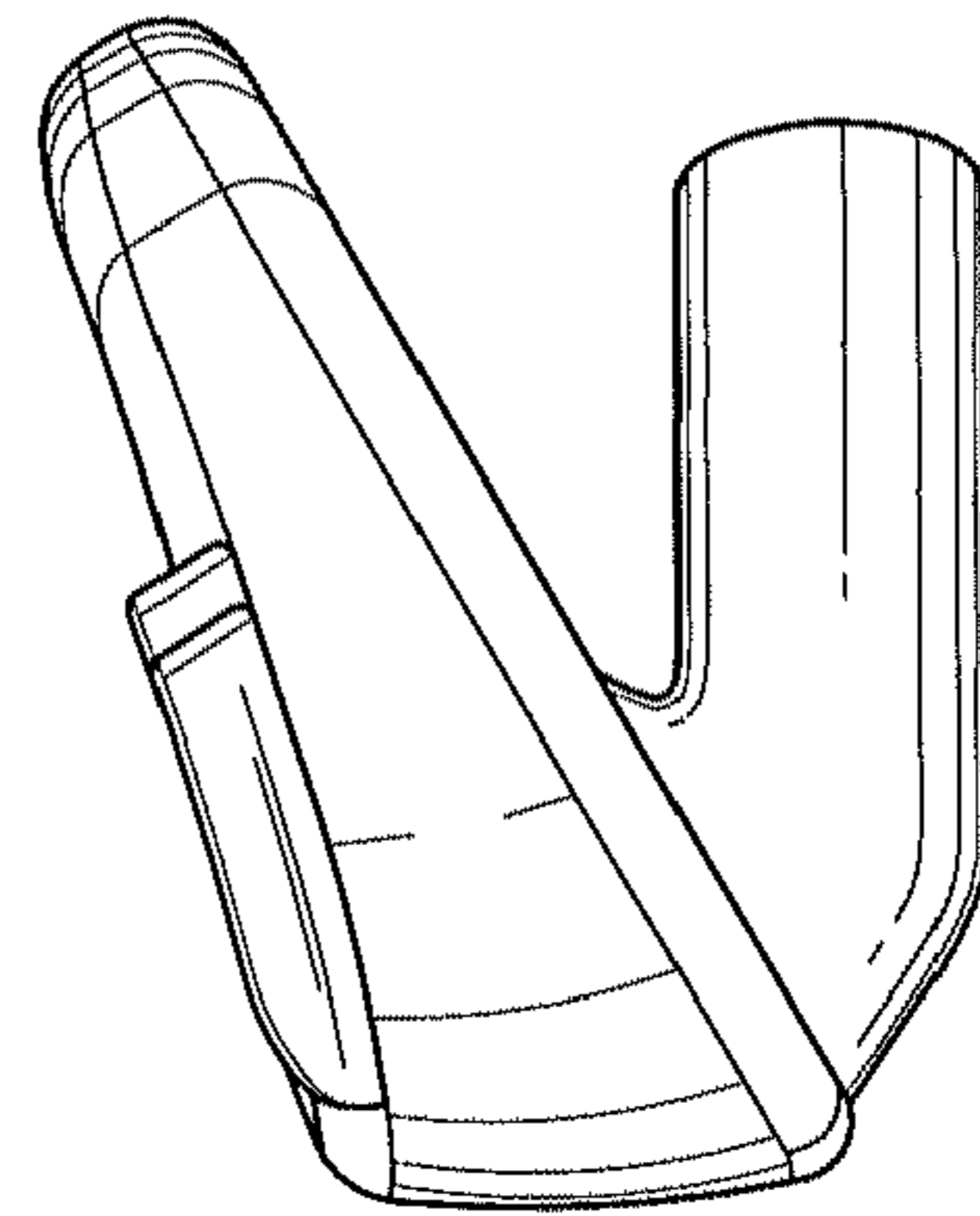


FIG. 6

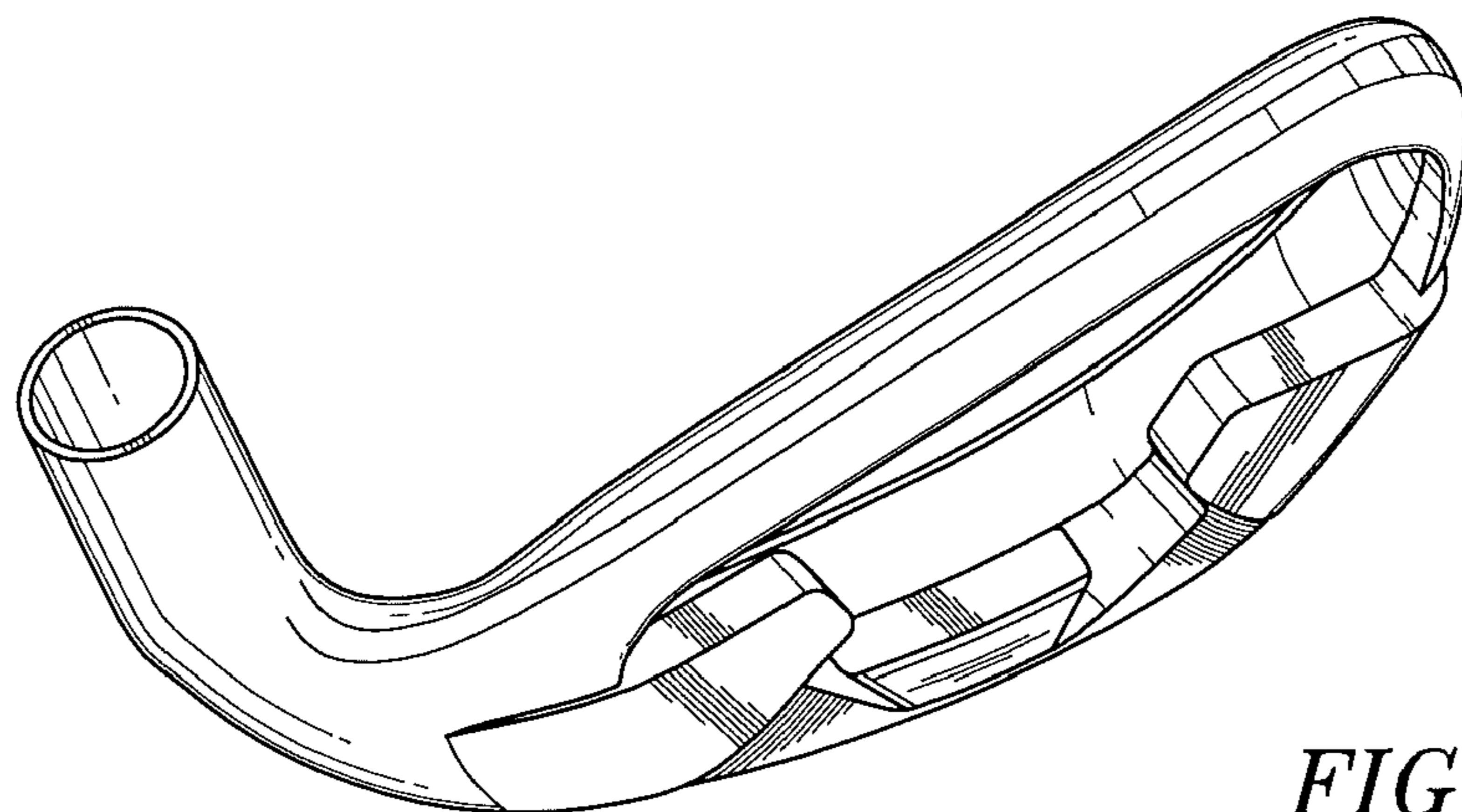


FIG. 7