



US00D591371S

(12) **United States Design Patent**
Hilton

(10) **Patent No.:** **US D591,371 S**

(45) **Date of Patent:** **** Apr. 28, 2009**

(54) **PUTTER HEAD**

(75) Inventor: **Thomas R. Hilton**, Cardiff, CA (US)

(73) Assignee: **Callaway Golf Company**, Carlsbad, CA (US)

(**) Term: **14 Years**

(21) Appl. No.: **29/296,421**

(22) Filed: **Oct. 19, 2007**

(51) **LOC (9) Cl.** **21-02**

(52) **U.S. Cl.** **D21/736**

(58) **Field of Classification Search** D21/736-746;
473/324-331, 340-341, 251-256

See application file for complete search history.

(56) **References Cited**

U.S. PATENT DOCUMENTS

4,741,535	A	*	5/1988	Leonhardt	473/252
D327,930	S	*	7/1992	Jazdyk	D21/744
5,997,409	A	*	12/1999	Mattson	473/244
D421,471	S	*	3/2000	Moldovan	D21/744
D436,638	S	*	1/2001	Carrier	D21/744
D456,055	S	*	4/2002	Yerelian	D21/736
D456,472	S	*	4/2002	Yerelian	D21/736
D457,210	S	*	5/2002	Noda	D21/736
D532,844	S	*	11/2006	Rollinson	D21/736
D532,845	S	*	11/2006	Rollinson	D21/736
D534,974	S	*	1/2007	Haack	D21/743

D536,400	S	*	2/2007	DiBattista, Sr.	D21/736
D549,795	S	*	8/2007	Rollinson	D21/759
D552,699	S	*	10/2007	Rollinson	D21/759
D552,700	S	*	10/2007	Rollinson	D21/759
D564,607	S	*	3/2008	Oldknow et al.	D21/736
D565,681	S	*	4/2008	Tanaka	D21/736
D573,212	S	*	7/2008	Nicodem	D21/736
D573,673	S	*	7/2008	Noyes	D21/736
D574,908	S	*	8/2008	Hettinger et al.	D21/743

* cited by examiner

Primary Examiner—Mitchell I Siegel

(74) *Attorney, Agent, or Firm*—Michael A. Catania; Elaine H. Lo

(57) **CLAIM**

The ornamental design for a putter head, as shown and described.

DESCRIPTION

FIG. 1 is a top perspective view of a golf club head;

FIG. 2 is a top plan view thereof;

FIG. 3 is a front elevational view thereof;

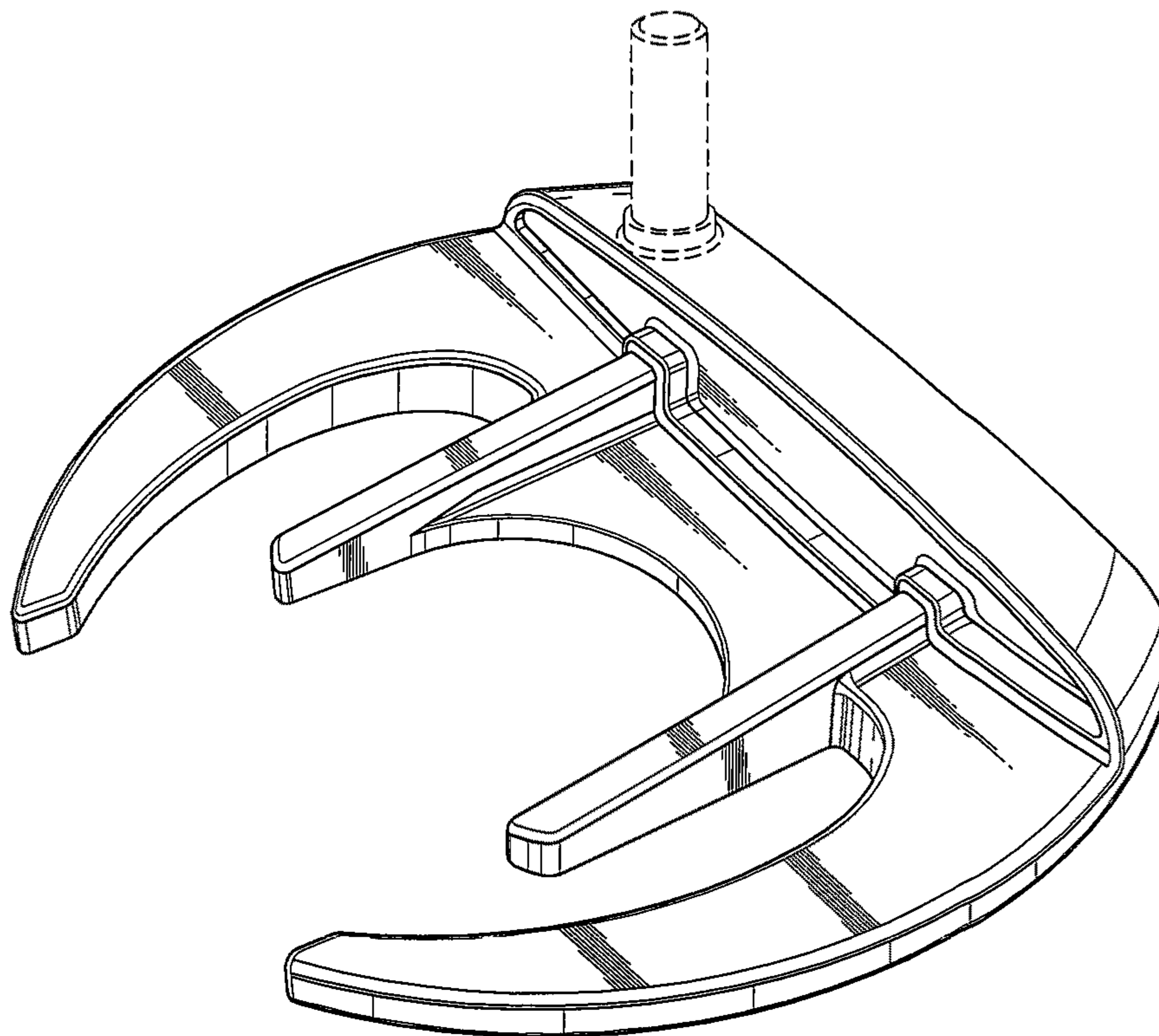
FIG. 4 is a bottom plan view thereof;

FIG. 5 is a rear elevational view thereof;

FIG. 6 is a heel elevational view thereof; and,

FIG. 7 is a toe elevational view thereof.

1 Claim, 3 Drawing Sheets



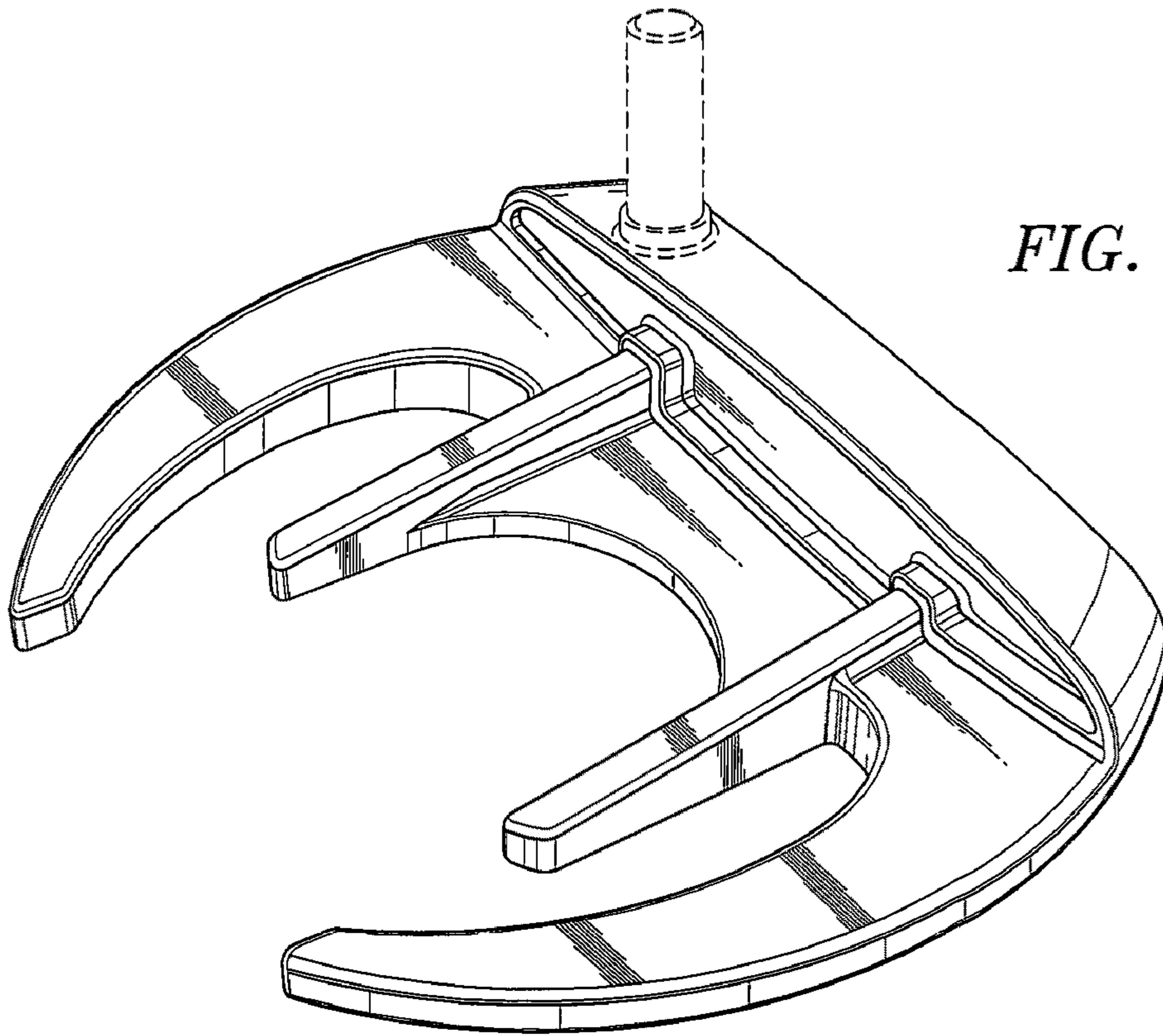


FIG. 1

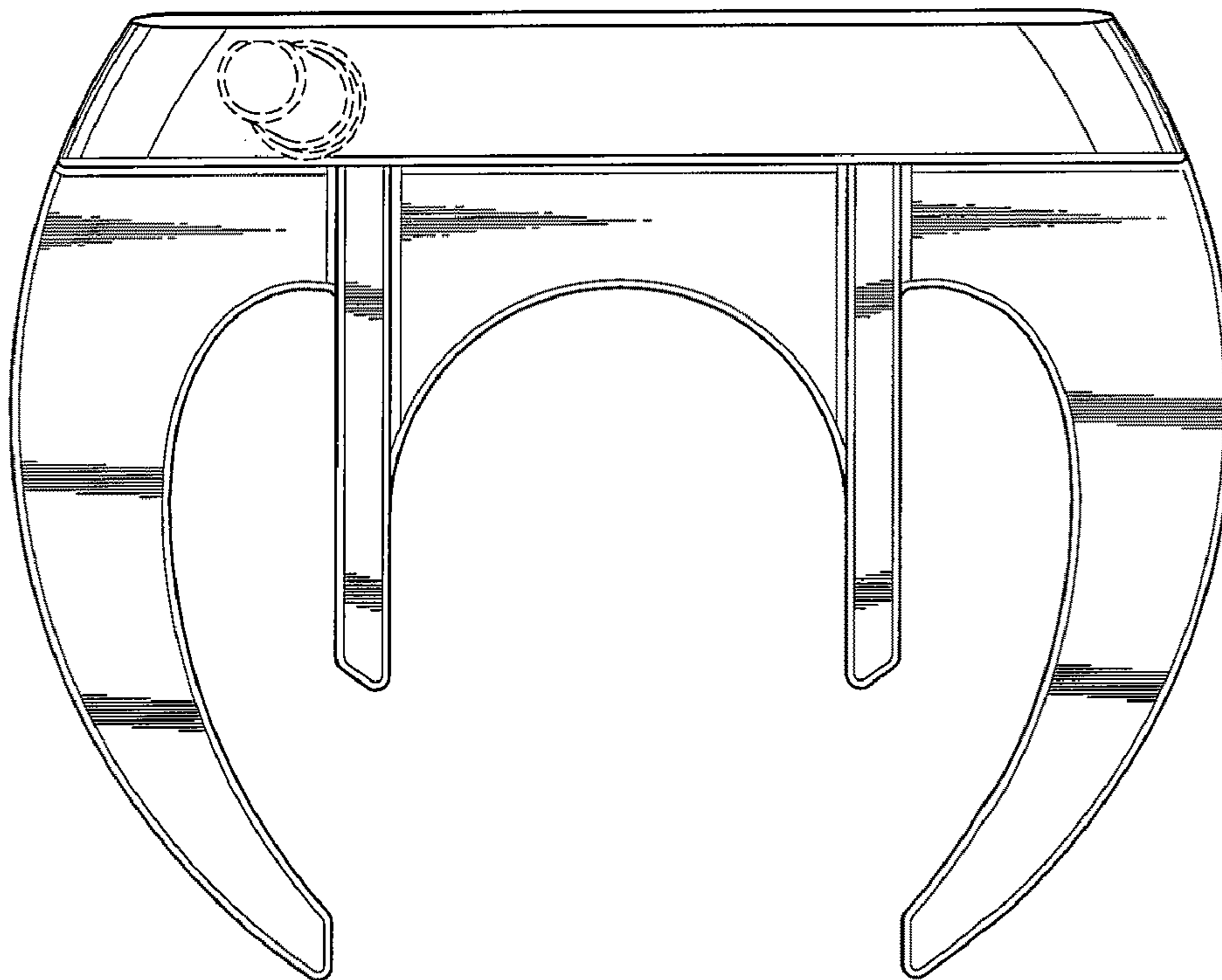


FIG. 2

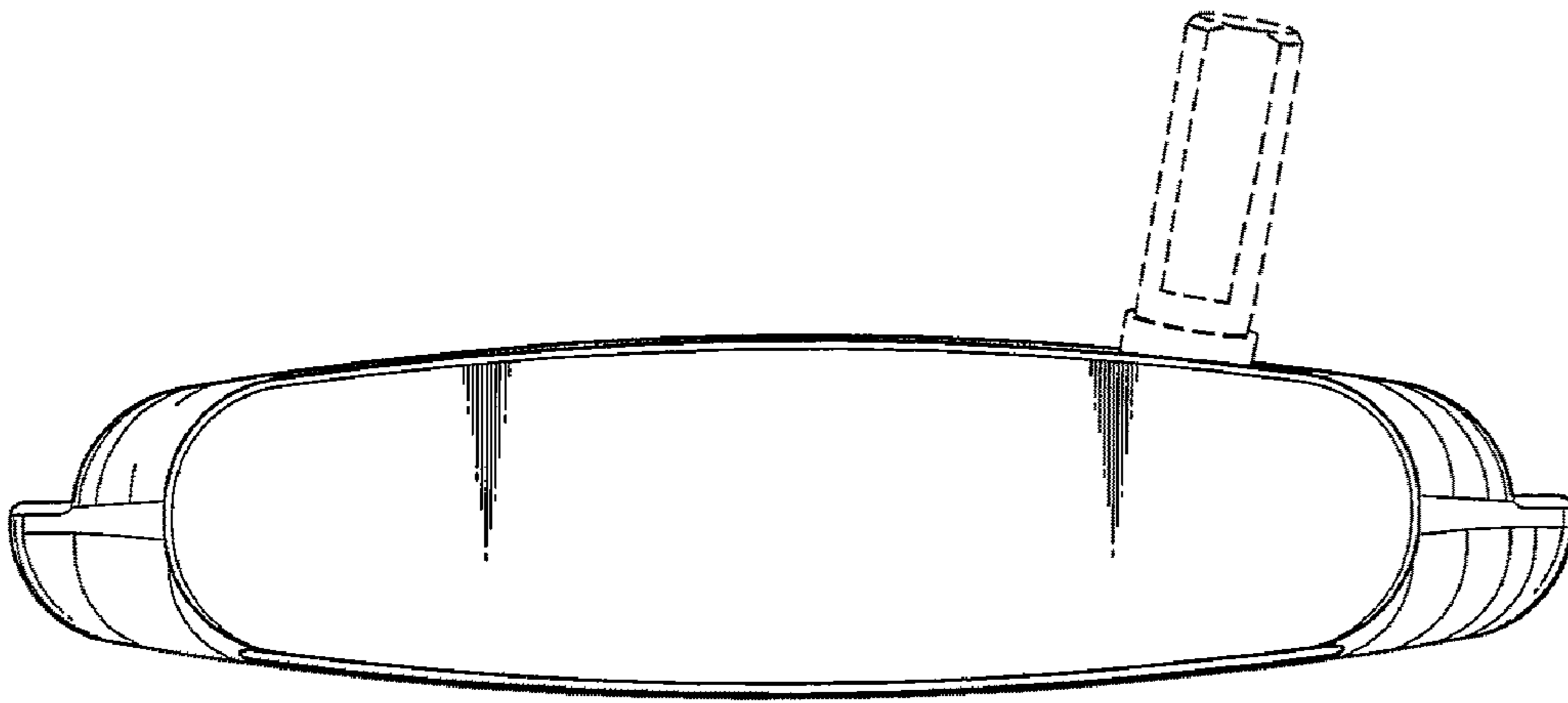


FIG. 3

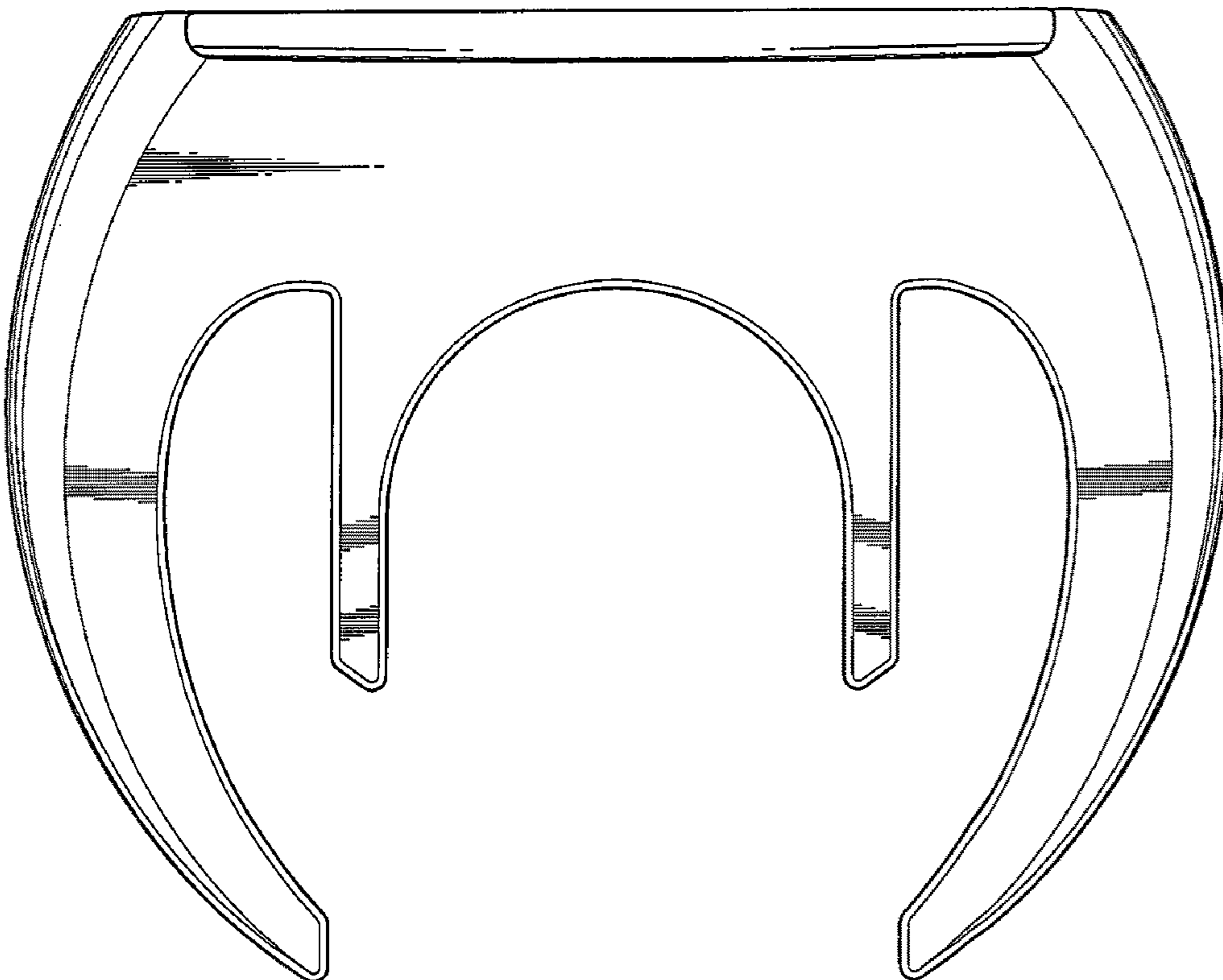


FIG. 4

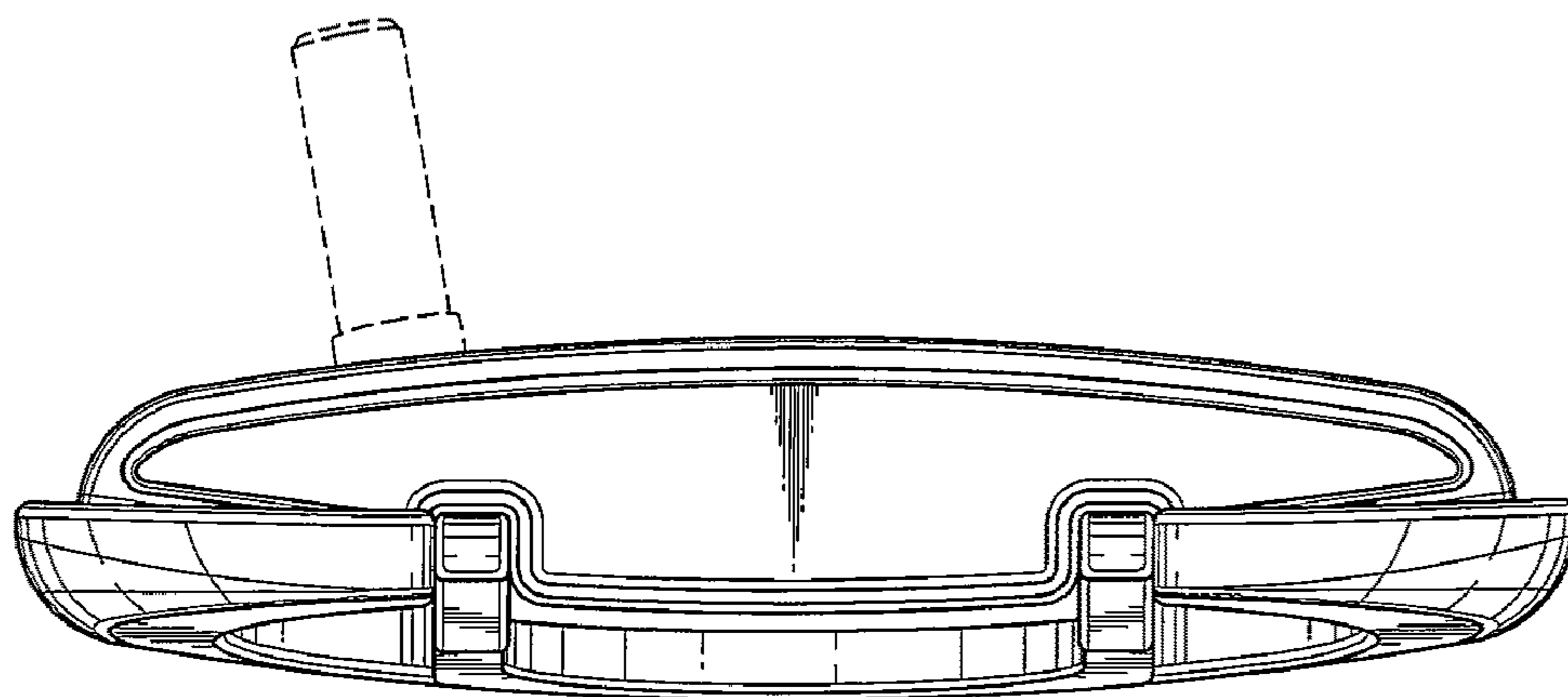


FIG. 5

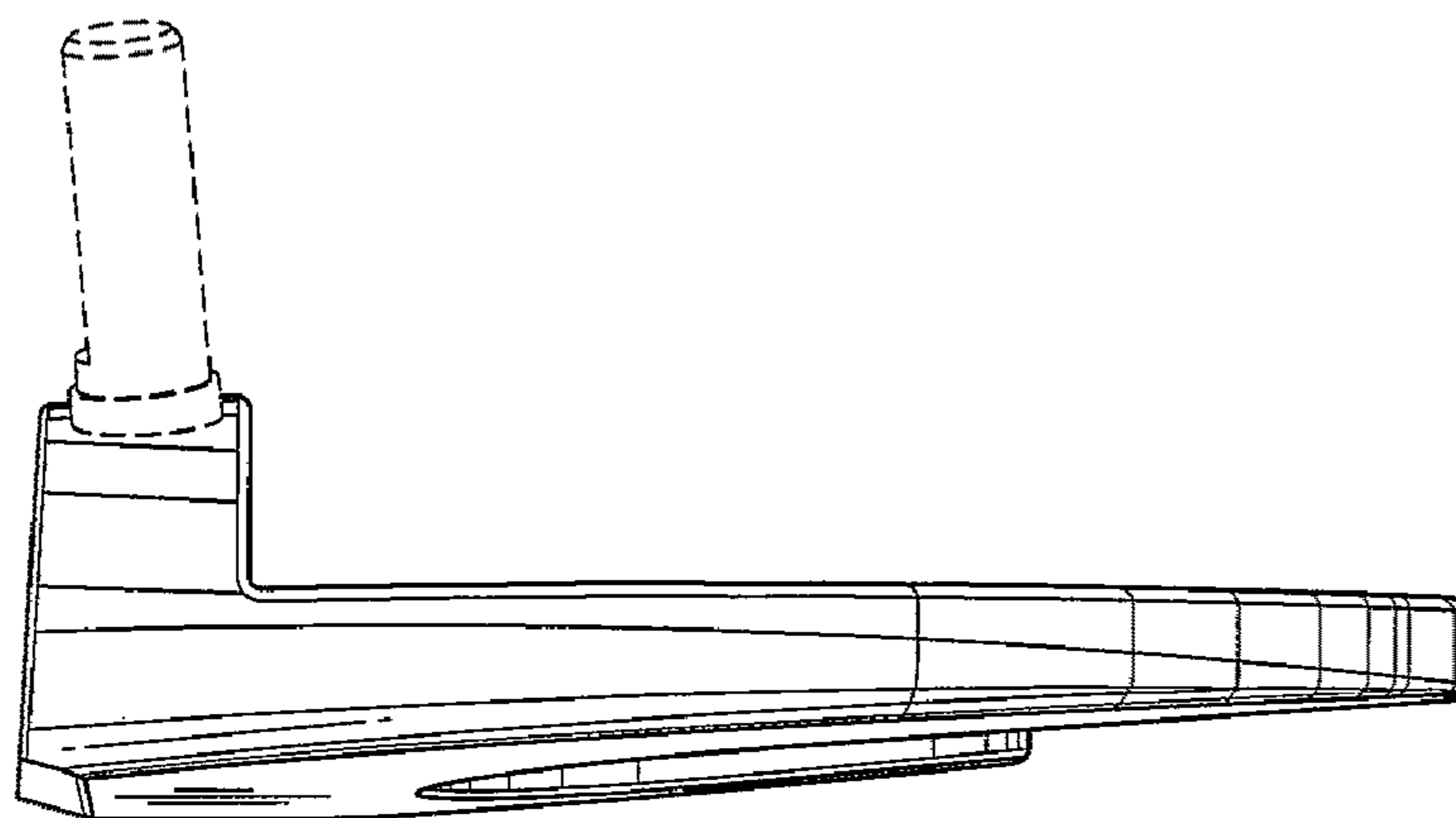


FIG. 6

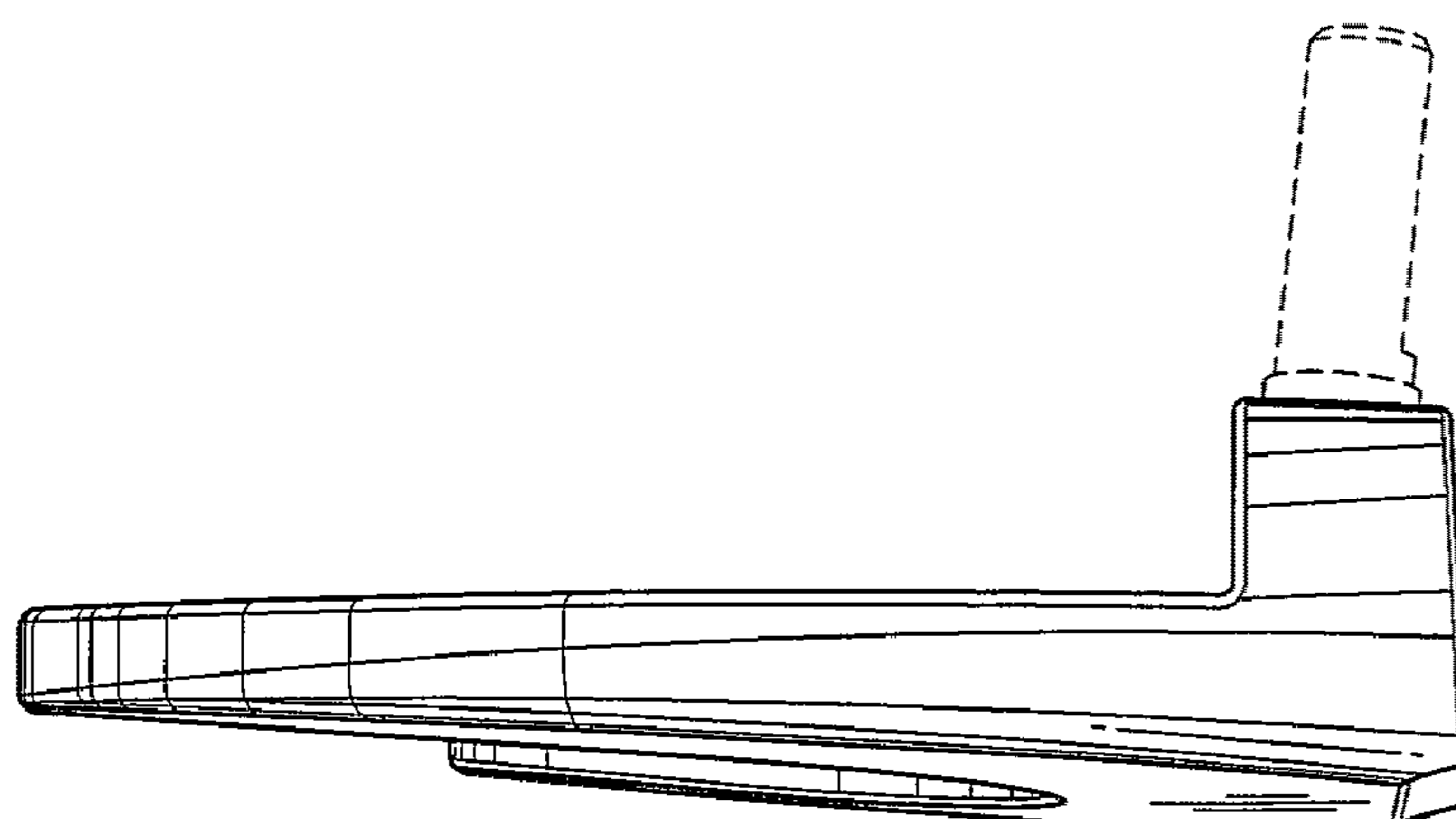


FIG. 7