



US00D591368S

(12) **United States Design Patent**
Olason

(10) **Patent No.:** **US D591,368 S**

(45) **Date of Patent:** **** *Apr. 28, 2009**

(54) **CONTROL PANEL FOR EXERCISE EQUIPMENT**

(75) Inventor: **Brady A. Olason**, Mukilteo, WA (US)

(73) Assignee: **Precor Incorporated**, Woodinville, WA (US)

(*) Notice: This patent is subject to a terminal disclaimer.

(**) Term: **14 Years**

(21) Appl. No.: **29/256,795**

(22) Filed: **Mar. 24, 2006**

(51) **LOC (9) Cl.** **21-02**

(52) **U.S. Cl.** **D21/696**

(58) **Field of Classification Search** D21/662, D21/663, 666, 667, 668, 670, 694, 696; D14/129, D14/136; 482/51, 52, 57, 54
See application file for complete search history.

(56) **References Cited**

U.S. PATENT DOCUMENTS

4,976,435	A	12/1990	Shatford et al.	273/148
5,364,271	A	11/1994	Aknin et al.	434/61
5,591,104	A	1/1997	Andrus et al.	482/7
5,888,172	A	3/1999	Andrus et al.	482/7
D412,192	S *	7/1999	Birrell et al.	D21/696
D438,579	S *	3/2001	Arnold et al.	D21/696
D440,612	S *	4/2001	Arnold et al.	D21/696
D454,931	S *	3/2002	Fon	D21/696

D459,418	S *	6/2002	Hsiung	D21/668
6,447,424	B1	9/2002	Ashby et al.	482/8
6,485,396	B2 *	11/2002	Stevens	482/57
6,672,994	B1 *	1/2004	Stearns et al.	482/57
D519,171	S *	4/2006	Kuo	D21/663
D526,370	S *	8/2006	Bingham et al.	D21/696
2002/0151415	A1 *	10/2002	Hildebrandt et al.	482/57
2004/0014566	A1	1/2004	Kao	482/8

* cited by examiner

Primary Examiner—Philip S. Hyder

(74) *Attorney, Agent, or Firm*—Terence P. O'Brien

(57) **CLAIM**

I claim the ornamental design for a control panel for exercise equipment, as shown and described.

DESCRIPTION

FIG. 1 is a front perspective view of a control panel for exercise equipment;

FIG. 2 is a front view of the control panel of FIG. 1;

FIG. 3 is a side view of the control panel of FIG. 1;

FIG. 4 is a top view of the control panel of FIG. 1;

FIG. 5 is a rear view of the control panel of FIG. 1; and,

FIG. 6 is a bottom view of the control panel of FIG. 1.

The ornamental design that is claimed is shown in solid lines in the drawings. The broken (dashed) lines shown in the drawings are included for the purpose of illustrating environmental elements only and form no part of the claimed design.

1 Claim, 4 Drawing Sheets

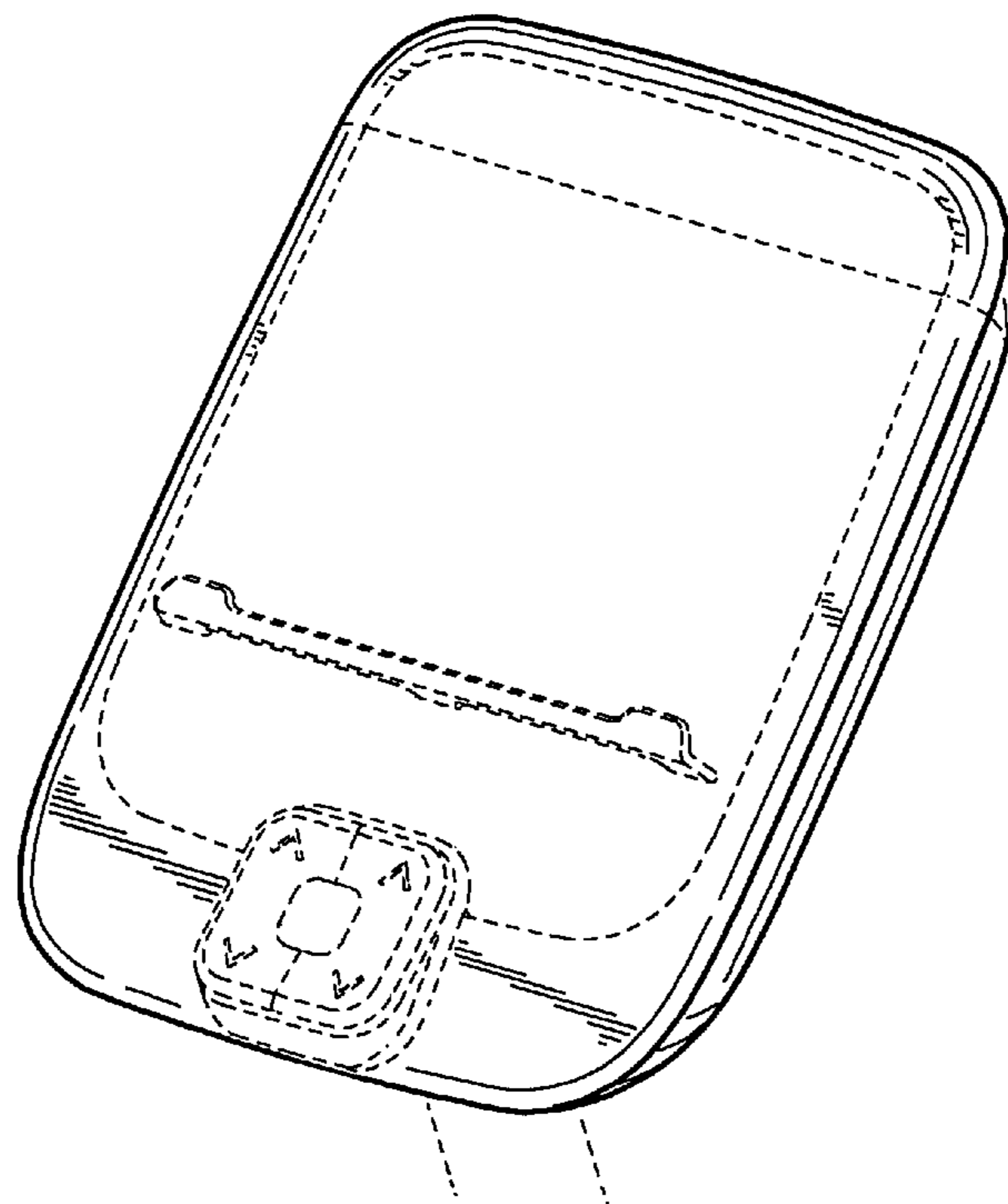


FIG. 1

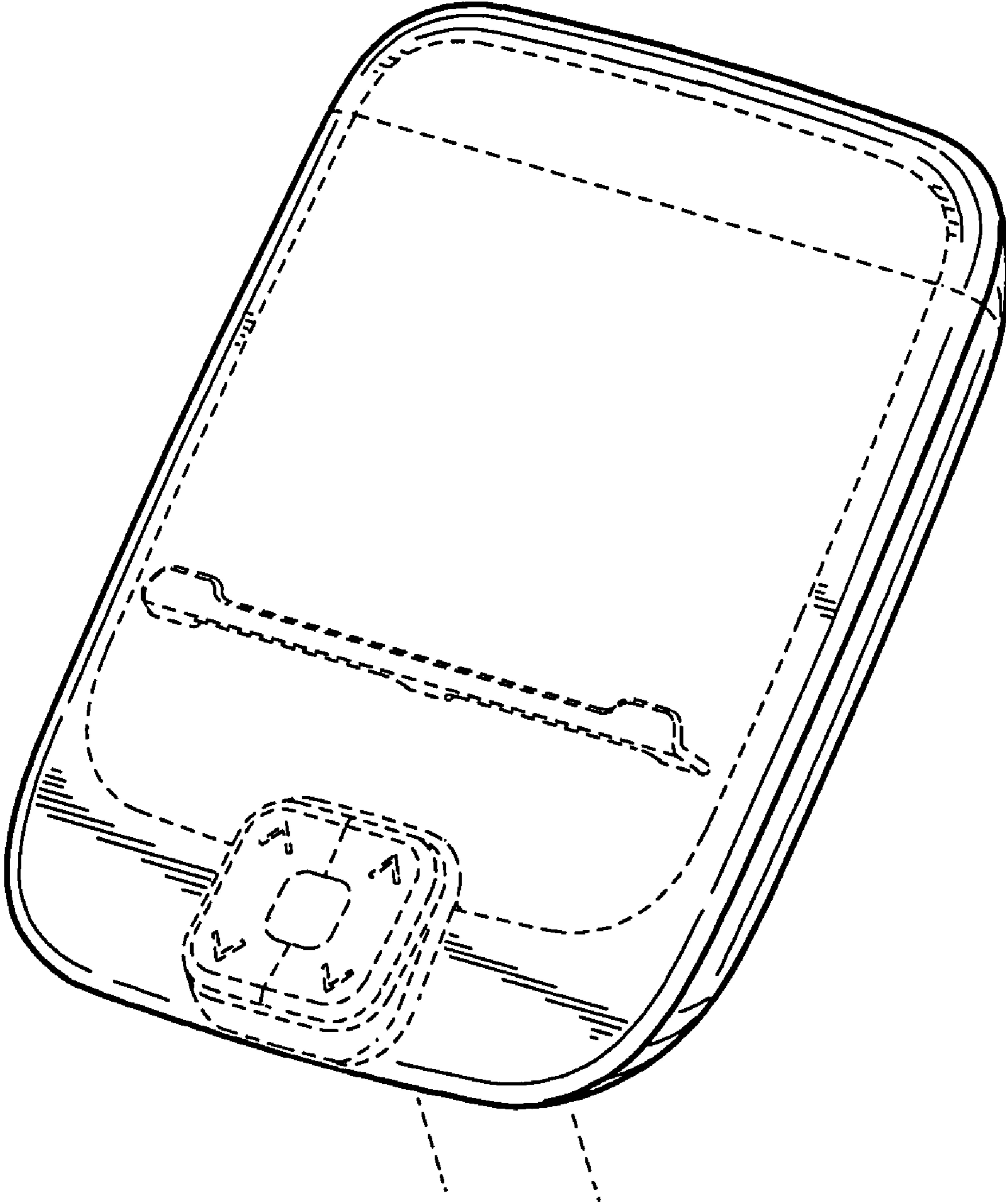


FIG. 2

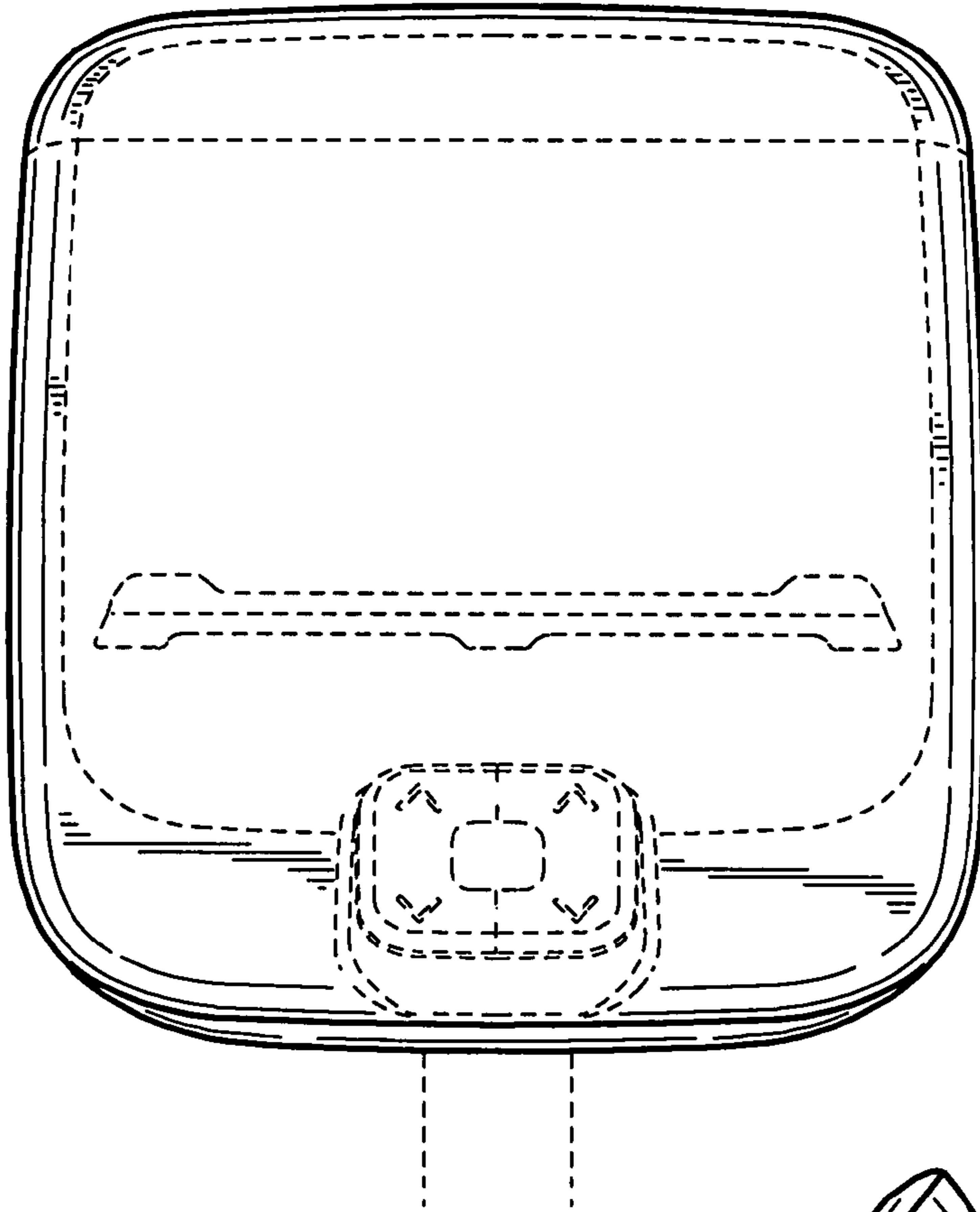


FIG. 3

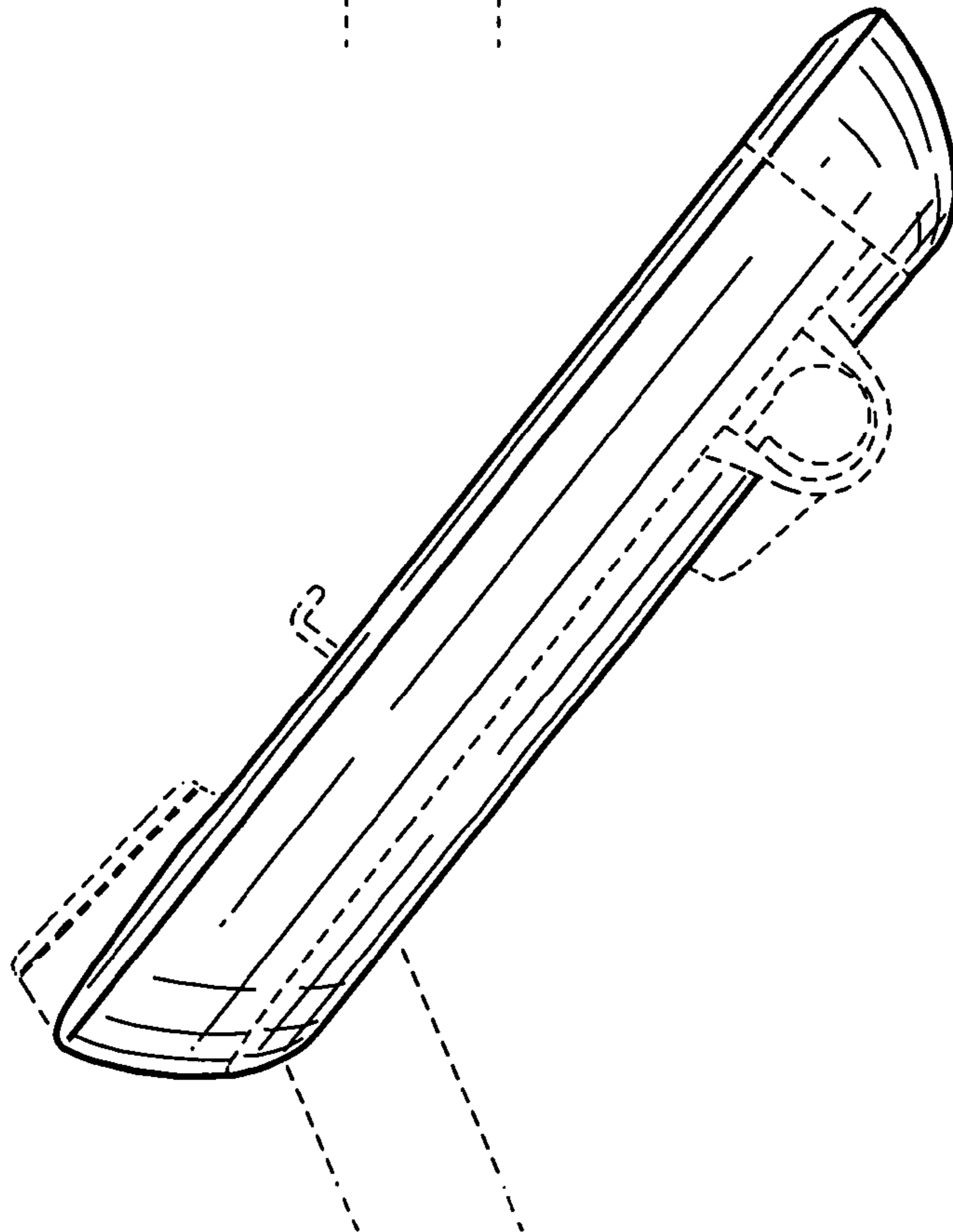


FIG. 4

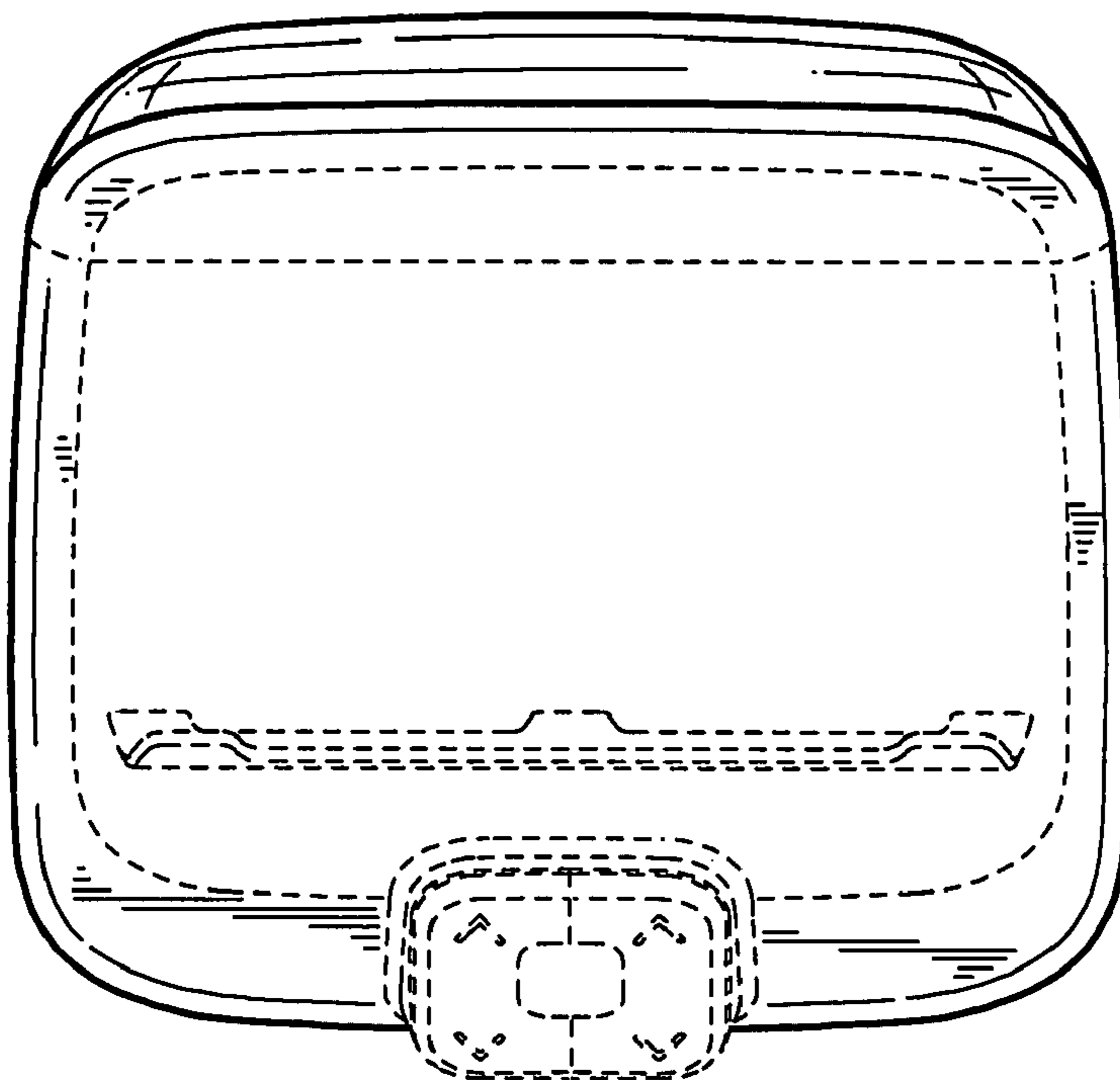
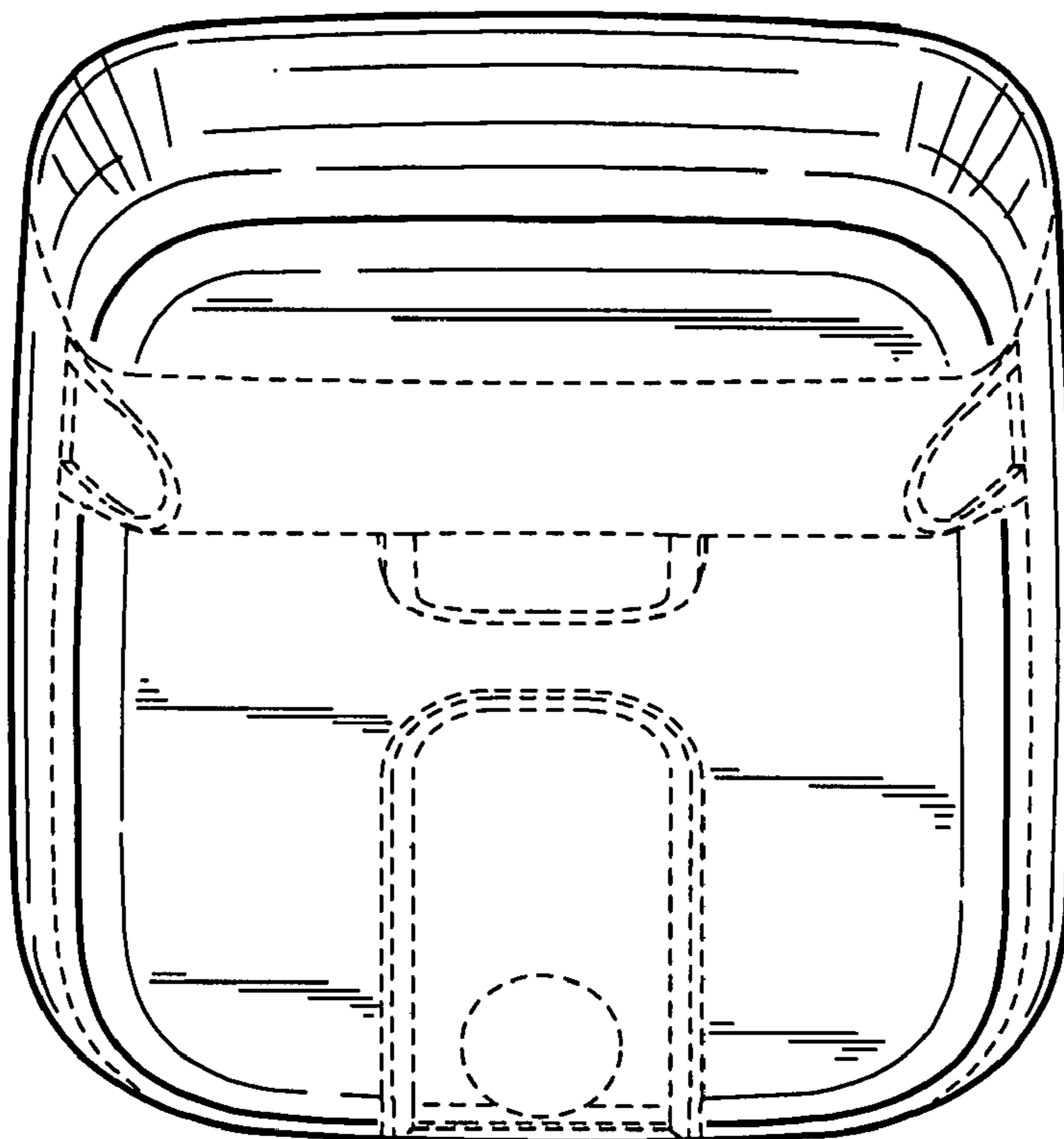


FIG. 5



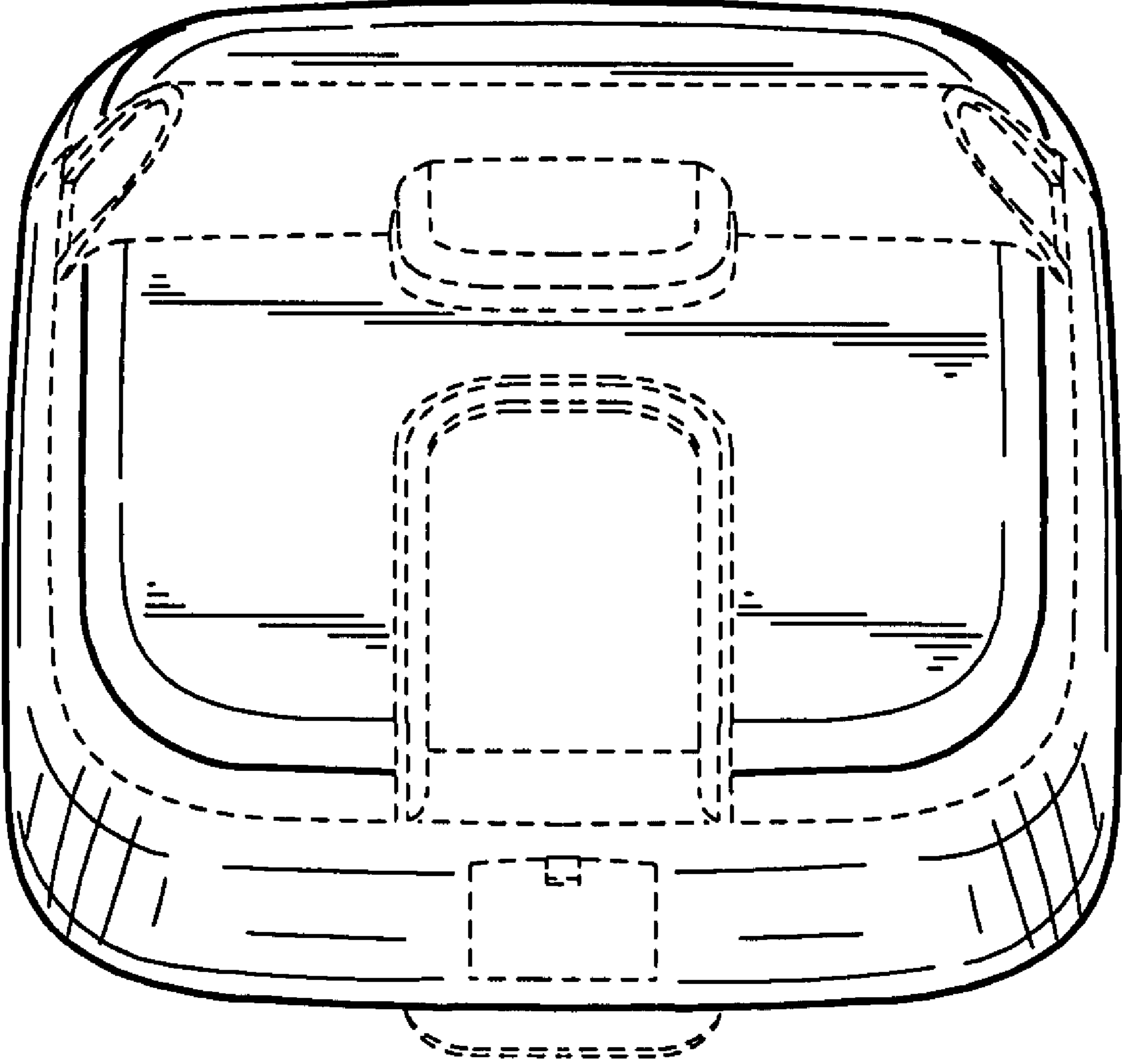


FIG. 6