

US00D591366S

(12) **United States Design Patent**
Decommer

(10) **Patent No.:** **US D591,366 S**
(45) **Date of Patent:** **** Apr. 28, 2009**

(54) **VIBRATION MACHINE**

(75) Inventor: **Steven Decommer**, Hamme (BE)

(73) Assignee: **DS Design B.V.B.A.**, Waasmunster (BE)

(**) Term: **14 Years**

(21) Appl. No.: **29/300,570**

(22) Filed: **Apr. 11, 2008**

(30) **Foreign Application Priority Data**

Oct. 12, 2007 (EM) 000806971

(51) **LOC (9) Cl.** **21-02**

(52) **U.S. Cl.** **D21/662; D21/686**

(58) **Field of Classification Search** D21/662,
D21/671, 686, 688, 689; 601/23, 49, 51,
601/66, 70, 90; 482/27, 51, 145, 146, 91,
482/112, 113

See application file for complete search history.

(56) **References Cited**

U.S. PATENT DOCUMENTS

D500,100 S * 12/2004 van der Meer D21/662
D518,533 S * 4/2006 van der Meer D21/662
D522,074 S * 5/2006 Dummel D21/662
D538,358 S * 3/2007 Glier D21/662

D548,291 S * 8/2007 Chiang D21/662
7,278,976 B1 * 10/2007 Chen 601/30
D559,924 S * 1/2008 Wu D21/661
D561,273 S * 2/2008 Wu D21/662
D567,309 S * 4/2008 Schuurman et al. D21/662
D571,416 S * 6/2008 Wu D21/662
D574,900 S * 8/2008 Meile Marcel Tamminga .. D21/
662
D576,228 S * 9/2008 Hahn D21/668
2005/0131319 A1 * 6/2005 der Meer 601/49

* cited by examiner

Primary Examiner—Philip S Hyder

(74) *Attorney, Agent, or Firm*—Bacon & Thomas, PLLC

(57) **CLAIM**

The ornamental design for a vibration machine, as shown and described.

DESCRIPTION

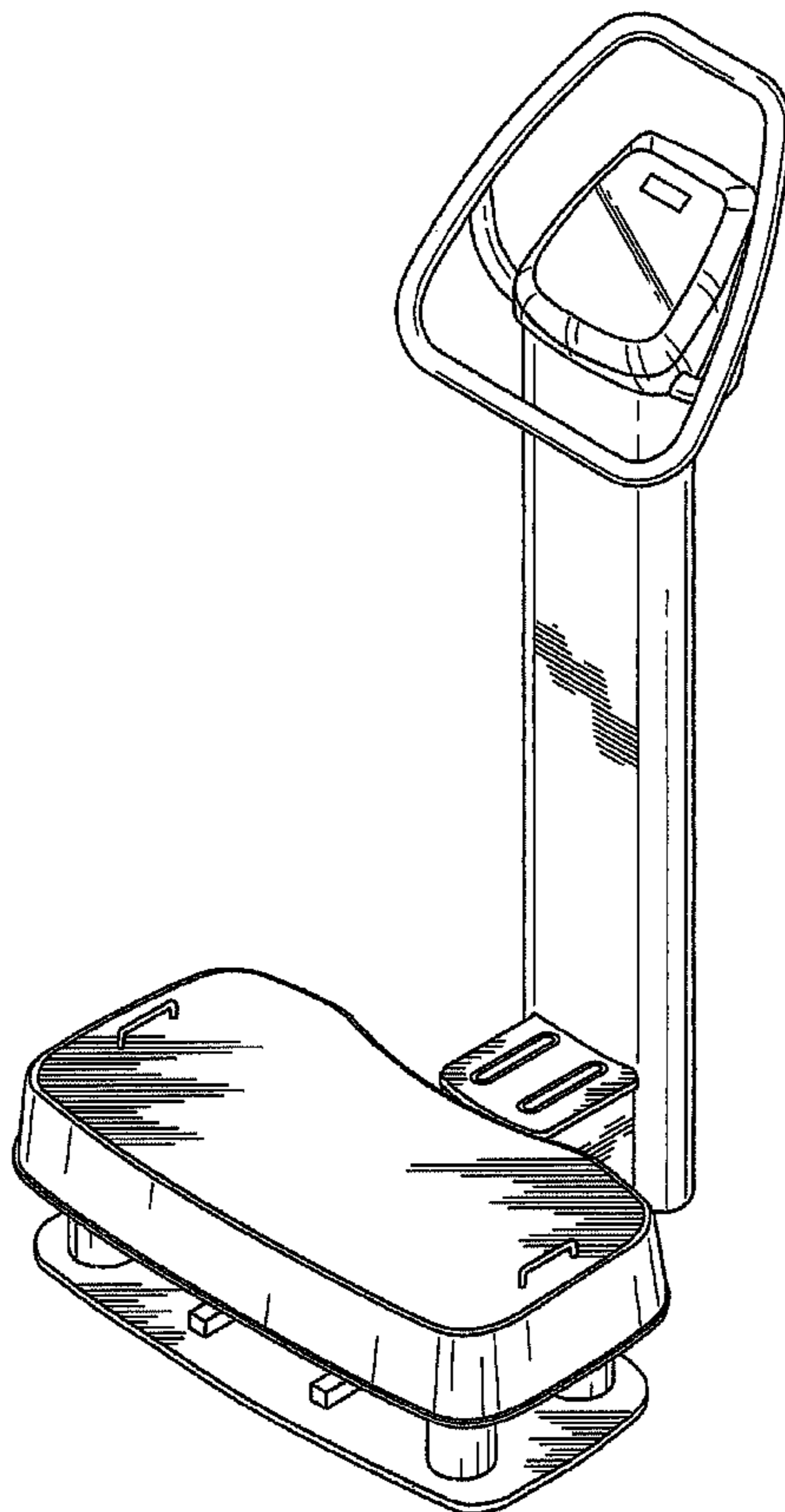
FIG. 1 is a perspective view of my new design for a vibration machine;

FIG. 2 is front elevation view thereof;

FIG. 3 is a right side view thereof, the left side being a mirror image thereof; and,

FIG. 4 is a top view thereof.

1 Claim, 4 Drawing Sheets



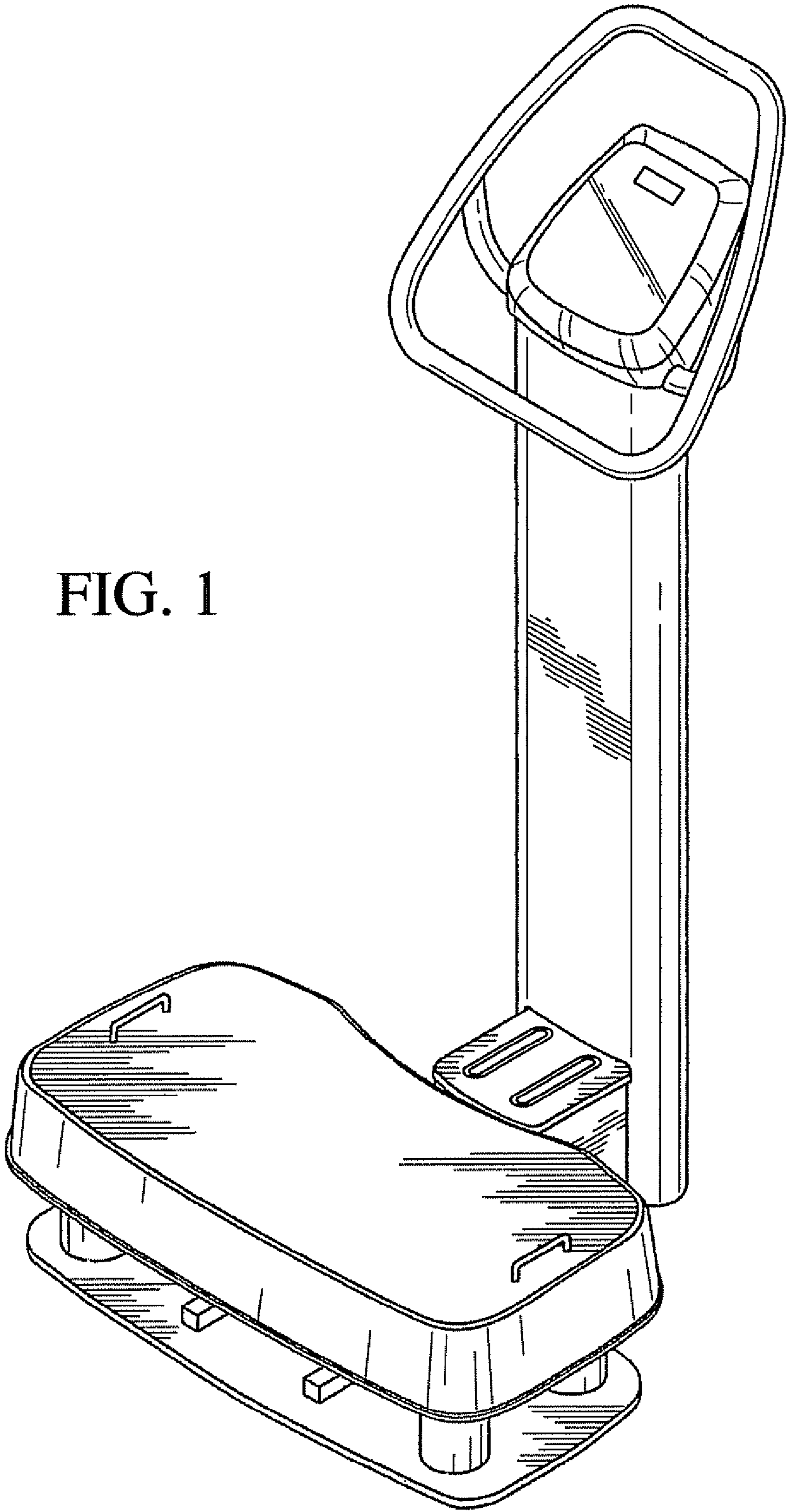


FIG. 1

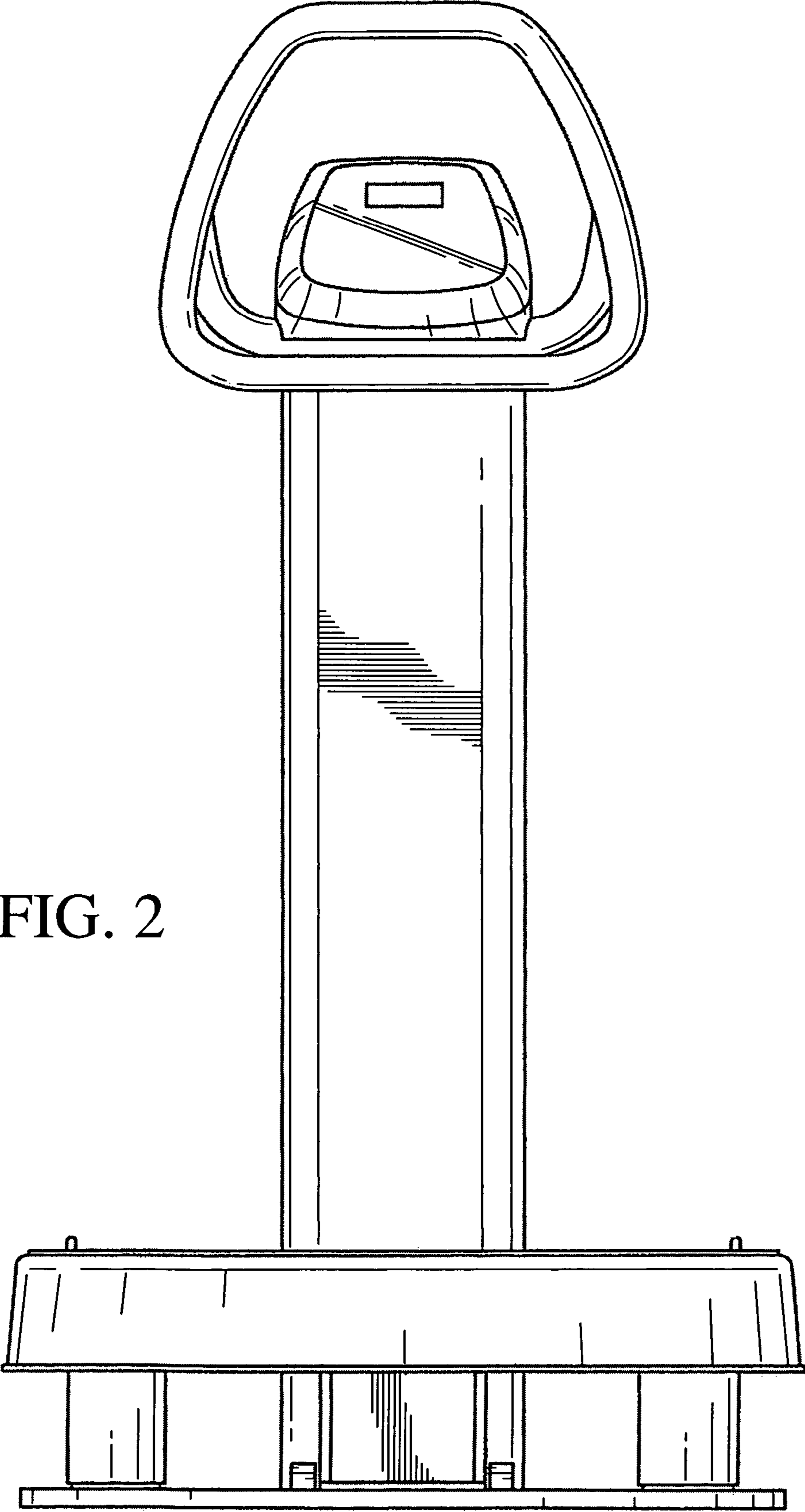


FIG. 2

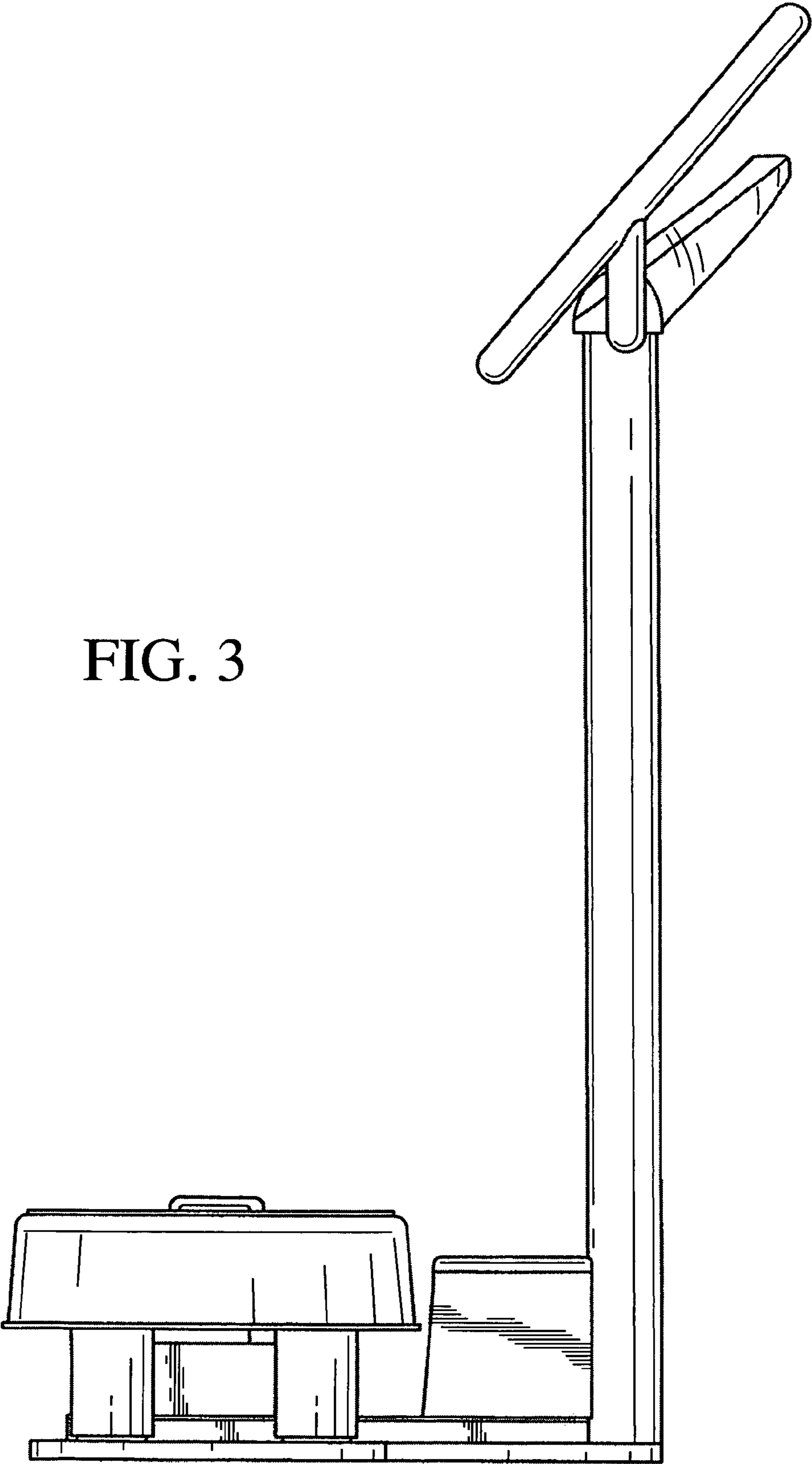


FIG. 3

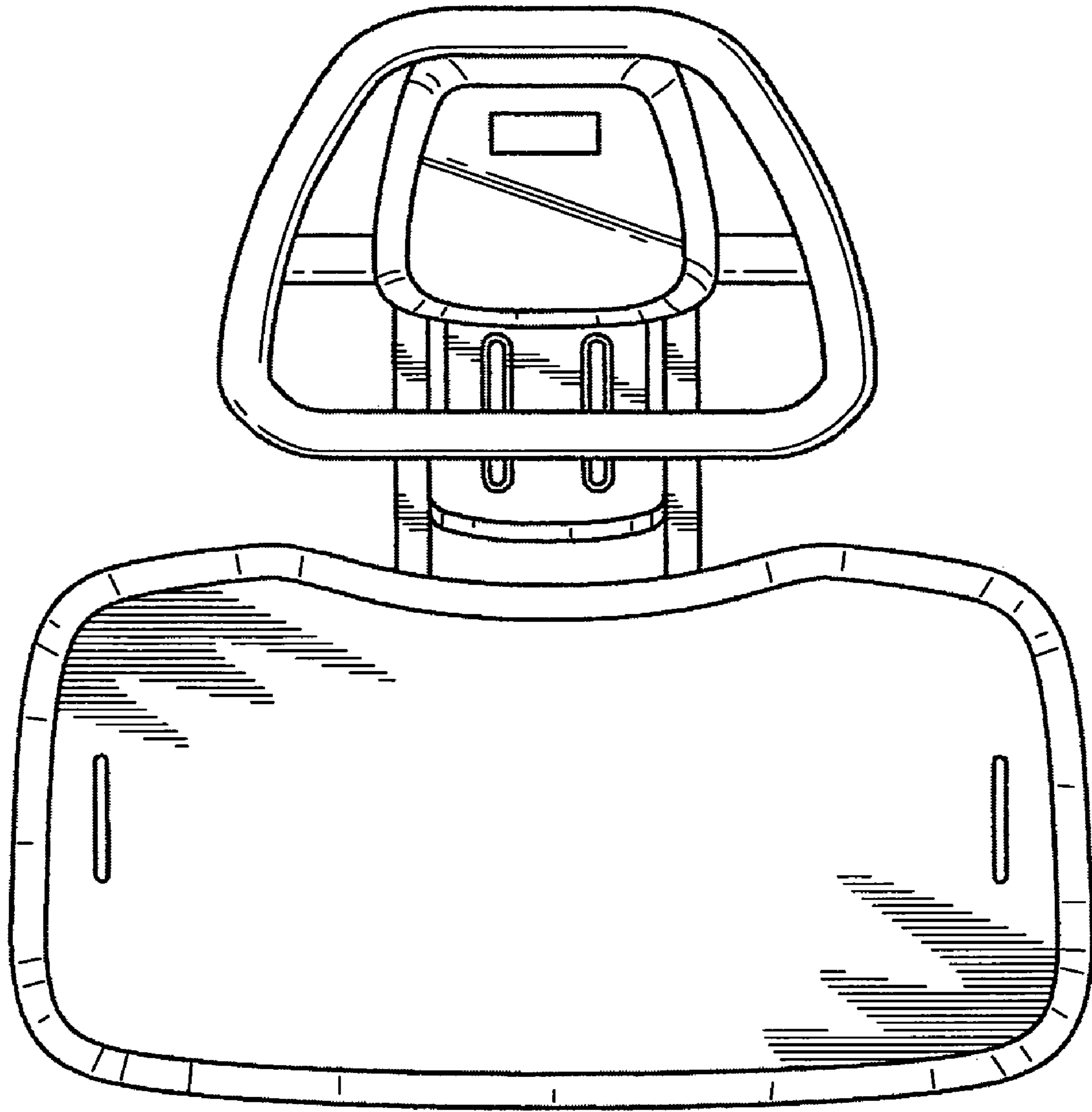


FIG. 4