



US00D591365S

(12) **United States Design Patent**
Pasko et al.

(10) **Patent No.:** **US D591,365 S**
(45) **Date of Patent:** **** Apr. 28, 2009**

(54) **REMOTE CONTROLLER**

(75) Inventors: **Kevin Pasko**, Redondo Beach, CA (US);
Paulo Kang, Burbank, CA (US)

(73) Assignee: **Mattel, Inc.**, El Segundo, CA (US)

(**) Term: **14 Years**

(21) Appl. No.: **29/280,340**

(22) Filed: **May 24, 2007**

Related U.S. Application Data

(63) Continuation-in-part of application No. 29/272,142,
filed on Jan. 31, 2007, now Pat. No. Des. 582,492.

(51) **LOC (9) Cl.** **21-01**

(52) **U.S. Cl.** **D21/566**

(58) **Field of Classification Search** D21/324,
D21/329, 333, 566; D14/400, 401, 454,
D14/217, 218, 358, 155; D13/168; 446/454-456;
463/6, 7, 37, 38, 39, 46, 47; D24/214, 215
See application file for complete search history.

(56) **References Cited**

U.S. PATENT DOCUMENTS

| | | | | |
|--------------|---------|-----------------|-------|---------|
| D366,876 S * | 2/1996 | Labohm | | D14/218 |
| D368,475 S * | 4/1996 | Scott | | D14/218 |
| D372,788 S * | 8/1996 | Brun | | D24/215 |
| D403,075 S * | 12/1998 | Lie | | D24/214 |
| D420,006 S * | 2/2000 | Tonino | | D14/218 |
| D448,754 S * | 10/2001 | Chang | | D14/217 |
| D466,217 S * | 11/2002 | Harris et al. | | D24/215 |
| D467,911 S * | 12/2002 | Lee | | D14/243 |
| D487,733 S * | 3/2004 | Lucaci et al. | | D14/137 |
| D493,150 S * | 7/2004 | Murtaugh et al. | | D13/168 |

| | | | | |
|--------------|---------|---------------|-------|---------|
| D524,383 S * | 7/2006 | Yuen | | D21/566 |
| D526,280 S * | 8/2006 | Nakamura | | D13/168 |
| D533,542 S * | 12/2006 | Suzuki et al. | | D14/218 |
| D534,501 S * | 1/2007 | Yao | | D13/168 |
| D548,728 S * | 8/2007 | Yoshiyama | | D14/218 |
| D549,350 S * | 8/2007 | Wu | | D24/215 |
| D555,255 S * | 11/2007 | Masuda | | D24/215 |
| D566,202 S * | 4/2008 | Sasada | | D21/566 |

* cited by examiner

Primary Examiner—Holly H Baynham

Assistant Examiner—Cynthia M Chin

(74) *Attorney, Agent, or Firm*—Panitch Schwarze Belisario & Nadel LLP

(57) **CLAIM**

The ornamental design for a remote controller, as shown and described.

DESCRIPTION

FIG. 1 is an elevation view of the front side of a remote controller in accordance with the present invention;

FIG. 2 is an elevation view of the rear side of the controller shown in FIG. 1;

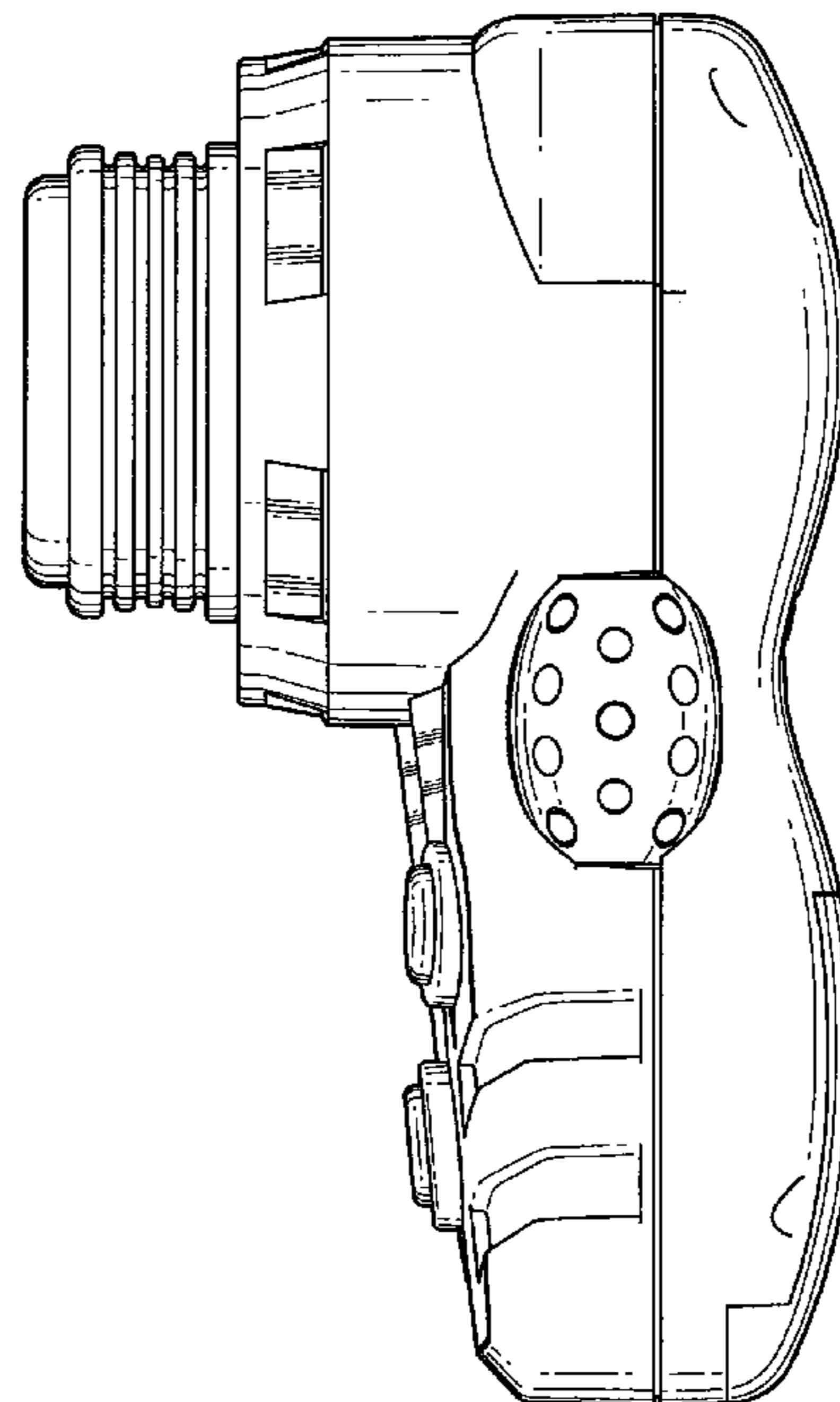
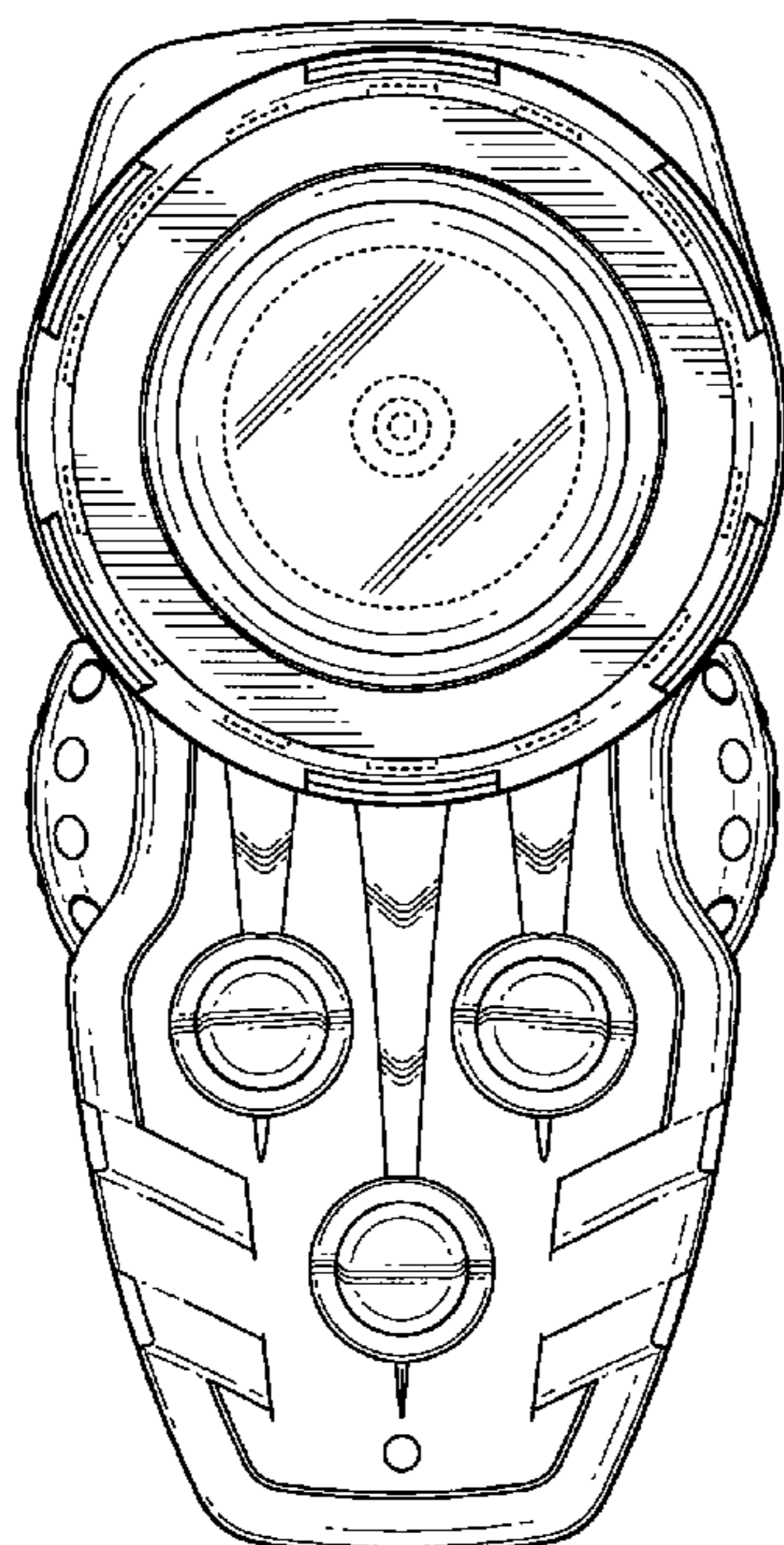
FIG. 3 is an elevation view of the left side of the controller shown in FIG. 1, the right side view being a mirror image;

FIG. 4 is a plan view of the top of the controller shown in FIG. 1; and,

FIG. 5 is a plan view of the bottom of the controller shown in FIG. 1.

The portions of the article shown in broken lines form no part of the claimed design.

1 Claim, 4 Drawing Sheets



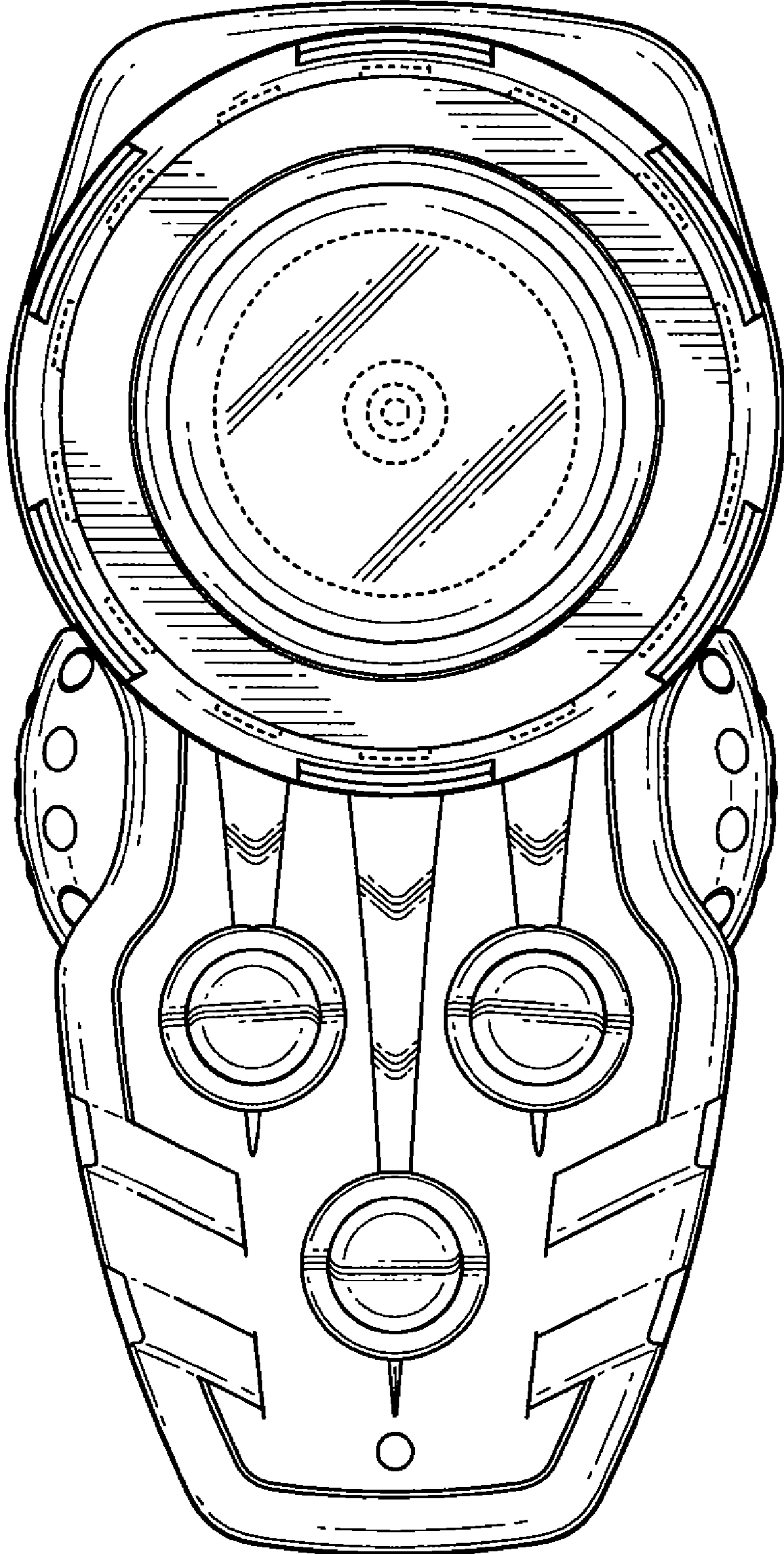


FIG. 1

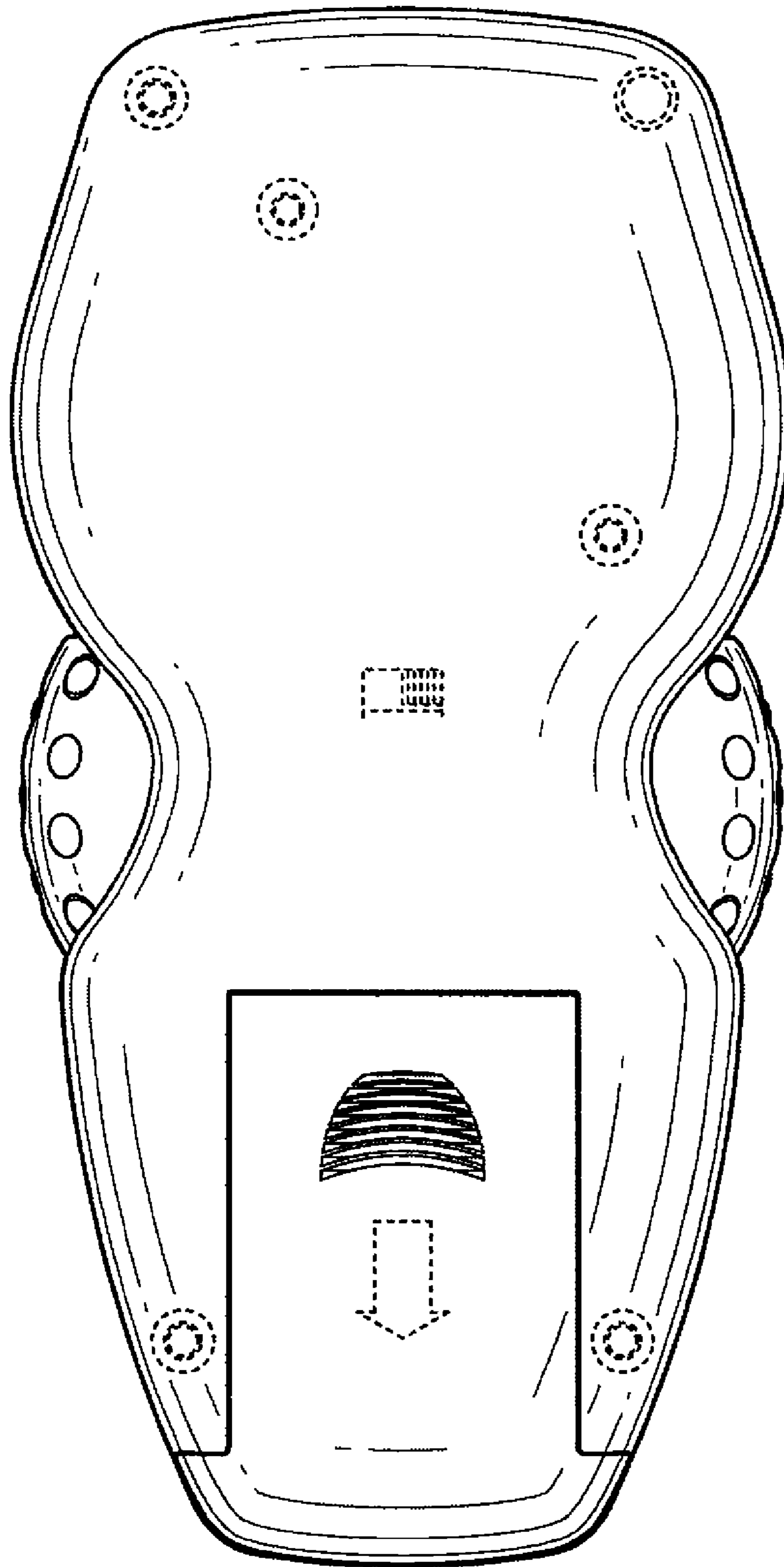


FIG. 2

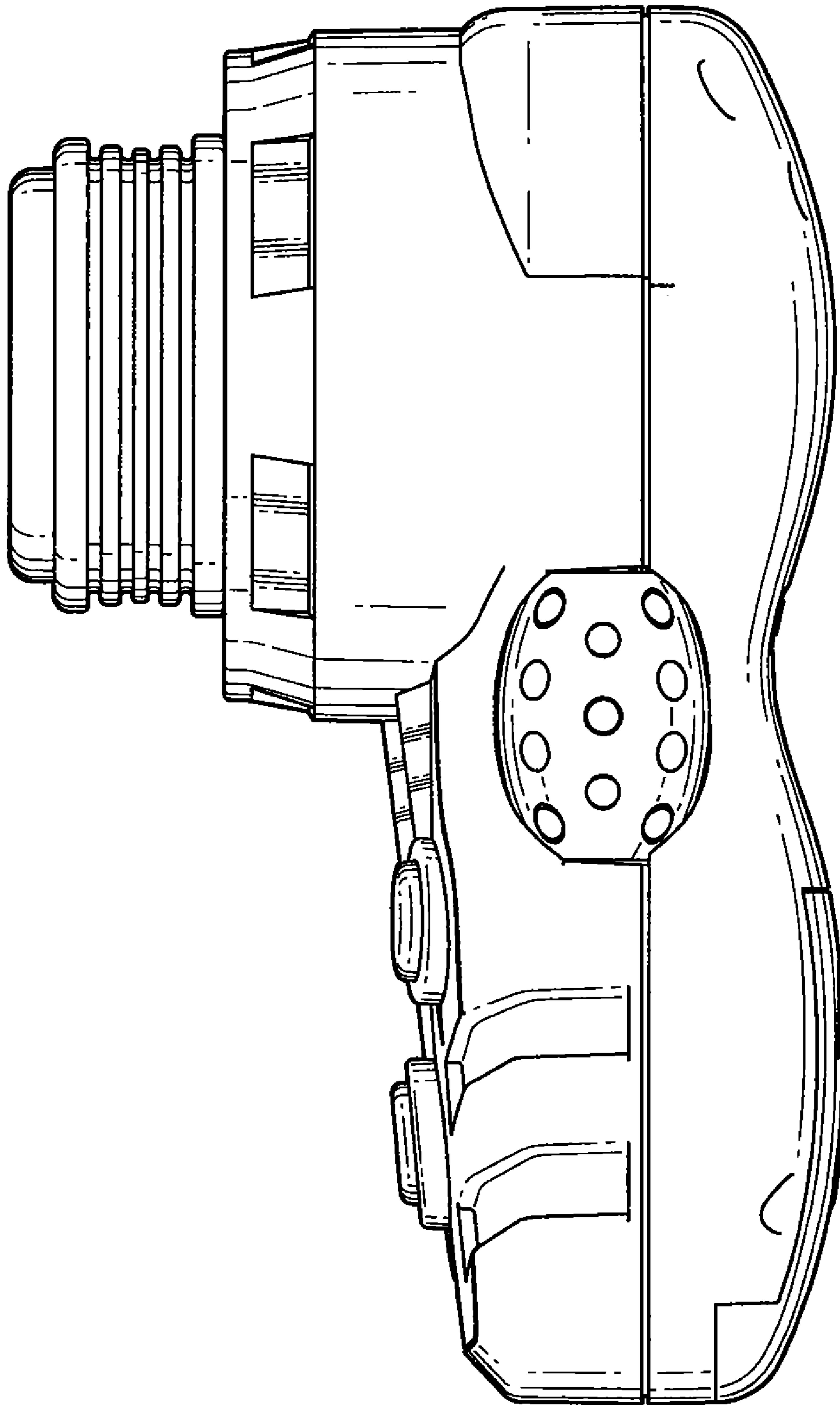


FIG. 3

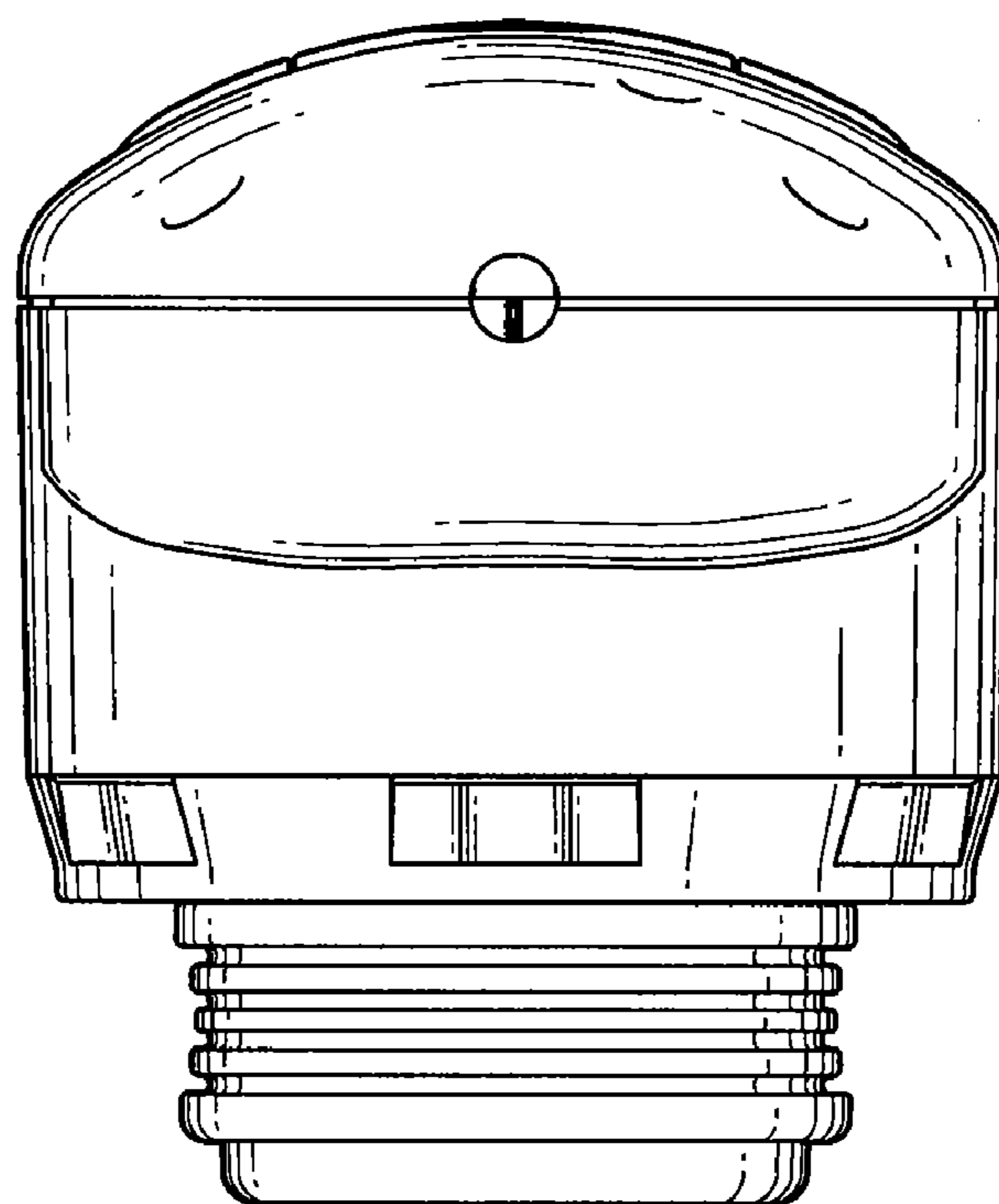


FIG. 4

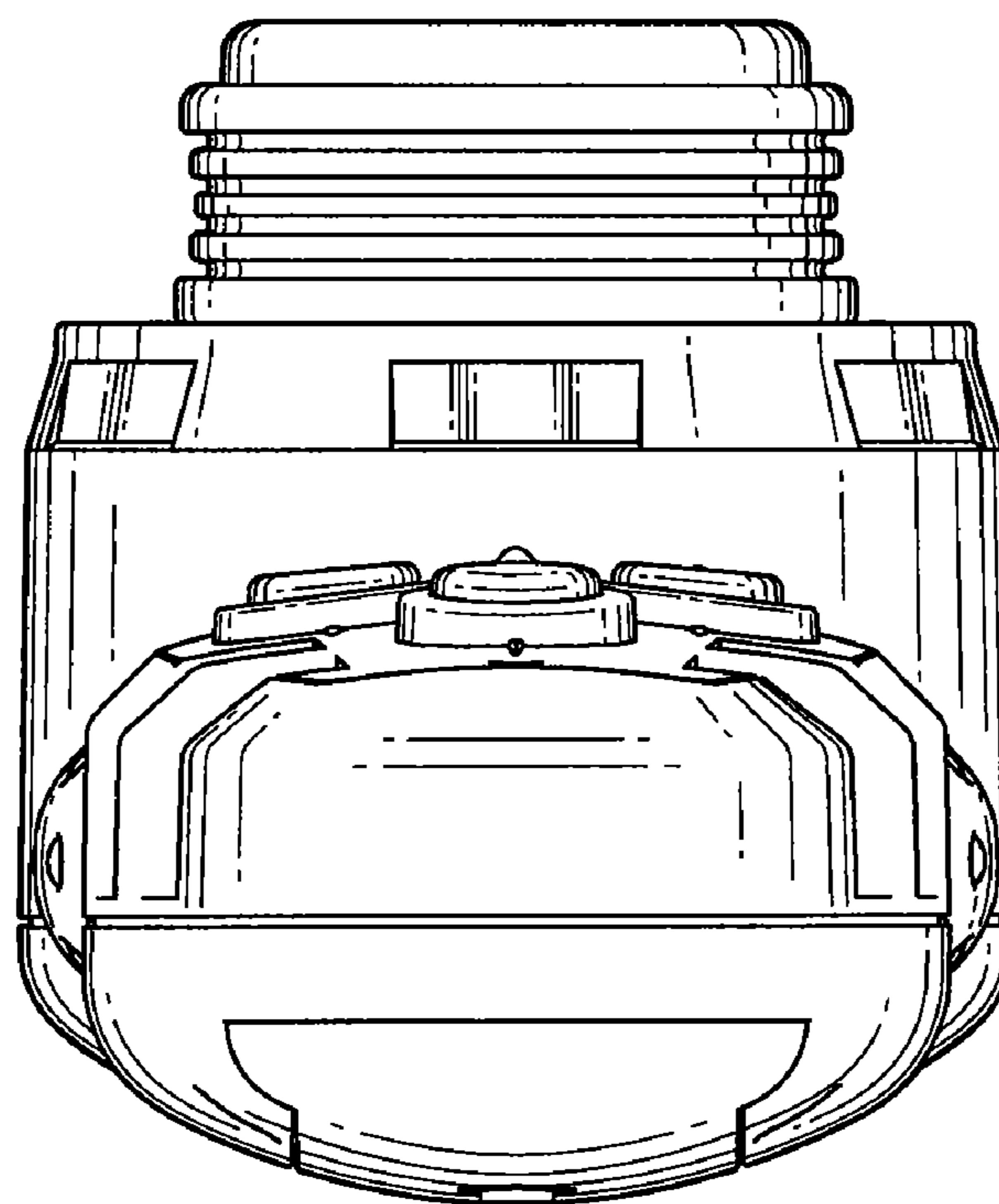


FIG. 5