



US00D591364S

(12) **United States Design Patent**
Nagaoka

(10) **Patent No.:** **US D591,364 S**

(45) **Date of Patent:** **** Apr. 28, 2009**

(54) **TOY VEHICLE**

(75) Inventor: **Junichi Nagaoka**, Tokyo (JP)

(73) Assignee: **Tomy Company, Ltd.**, Tokyo (JP)

(**) Term: **14 Years**

(21) Appl. No.: **29/309,216**

(22) Filed: **Jul. 8, 2008**

(30) **Foreign Application Priority Data**

Jan. 11, 2008 (JP) 2008-000495

(51) **LOC (9) Cl.** **21-01**

(52) **U.S. Cl.** **D21/542**

(58) **Field of Classification Search** D21/533,
D21/542-544; D12/300-305; 446/160,
446/163-165, 454; 440/37

See application file for complete search history.

(56) **References Cited**

U.S. PATENT DOCUMENTS

D313,584 S *	1/1991	Linebaugh	D12/305
5,082,465 A *	1/1992	Wine	440/37
D329,476 S *	9/1992	Strickland et al.	D21/542
D329,886 S *	9/1992	Fujitani	D21/542
D427,562 S *	7/2000	Phelan	D12/305
D451,560 S *	12/2001	Tilbor et al.	D21/542

D504,921 S *	5/2005	Wei	D21/542
D505,458 S *	5/2005	Wei	D21/542
D508,962 S *	8/2005	Sapir	D21/542
D544,927 S *	6/2007	Sanger, II	D21/542
7,322,872 B2 *	1/2008	Butler et al.	446/454
7,364,484 B2 *	4/2008	Sanger, II	440/37

* cited by examiner

Primary Examiner—Holly H Baynham

Assistant Examiner—Cynthia M Chin

(74) *Attorney, Agent, or Firm*—Staas & Halsey LLP

(57) **CLAIM**

The ornamental design for a toy vehicle, as shown and described.

DESCRIPTION

FIG. 1 is a front perspective view of the toy vehicle showing my design;

FIG. 2 is a front view thereof;

FIG. 3 is a rear view thereof;

FIG. 4 is a left side view thereof;

FIG. 5 is a right side view thereof;

FIG. 6 is a top view thereof;

FIG. 7 is a bottom view thereof; and,

FIG. 8 is a rear perspective view thereof.

1 Claim, 8 Drawing Sheets

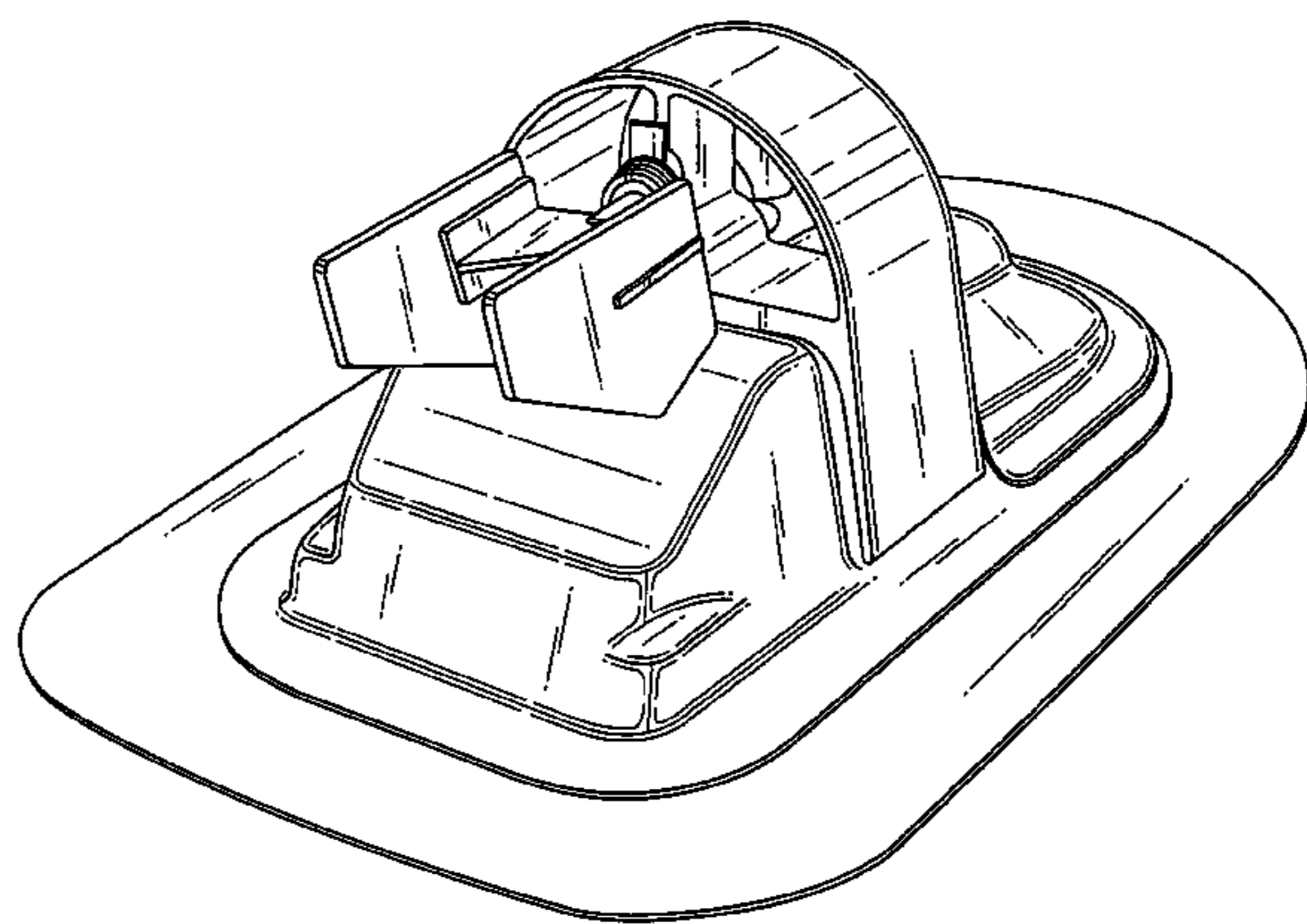
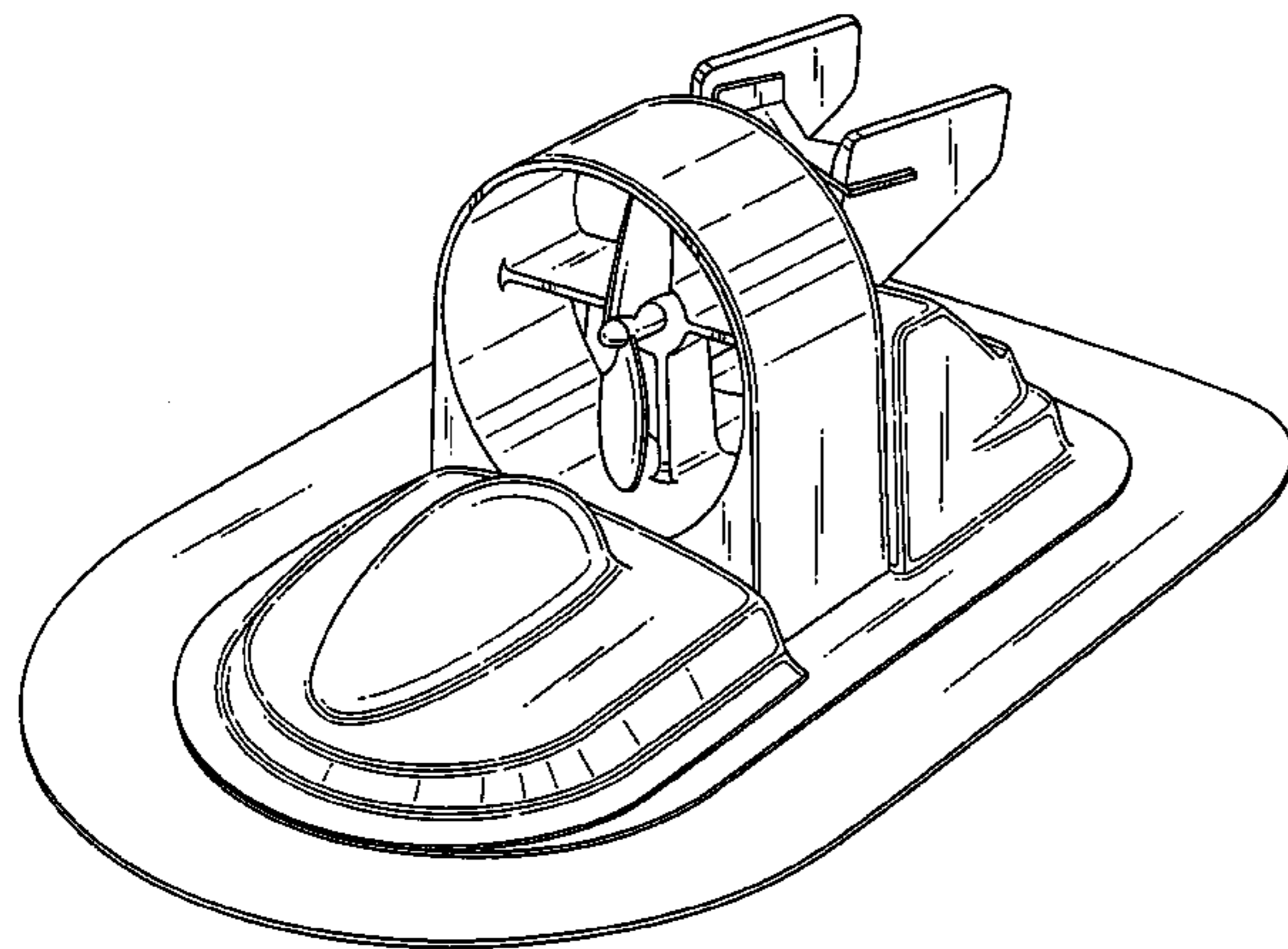


FIG. 1

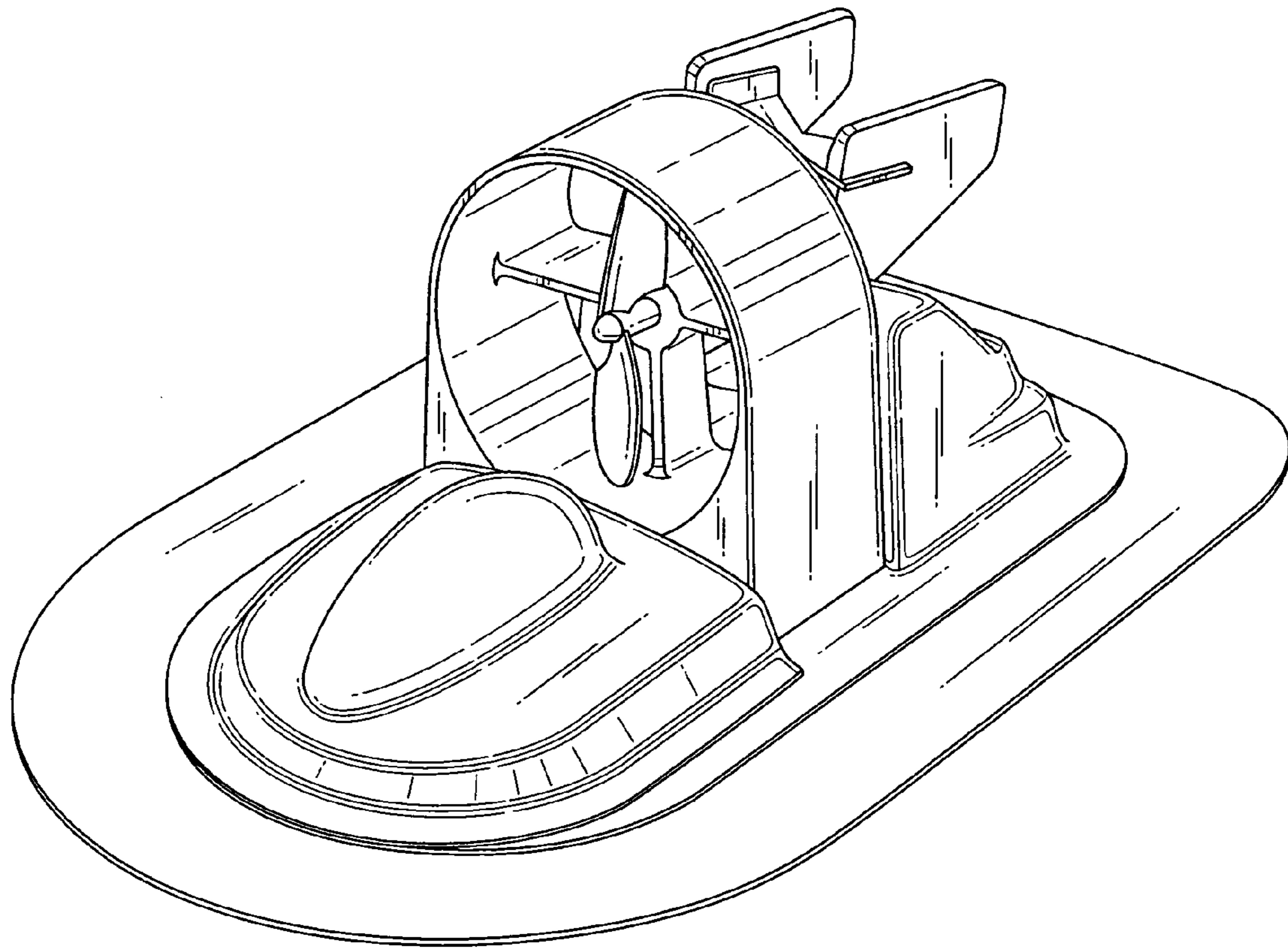


FIG.2

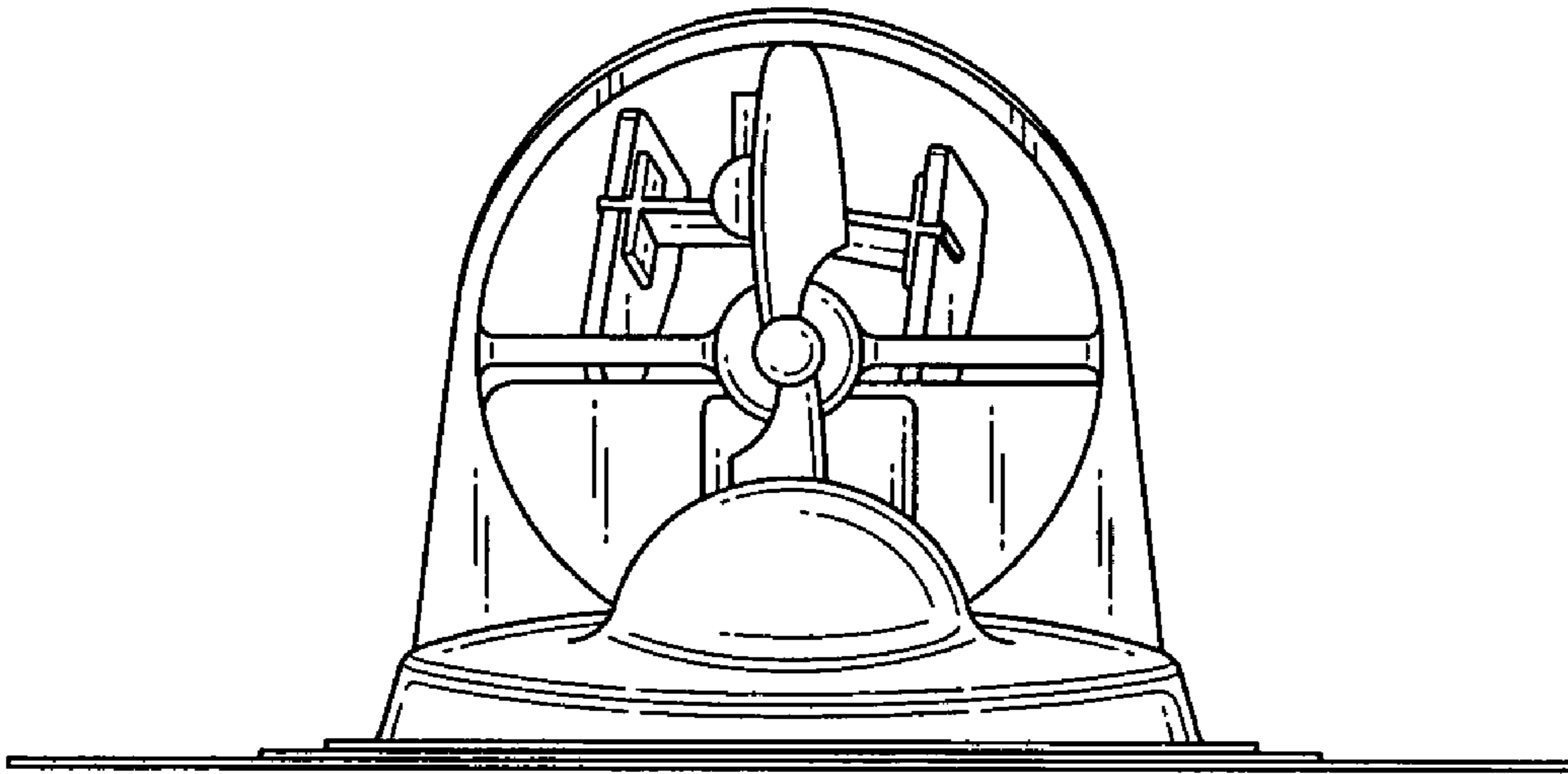


FIG.3

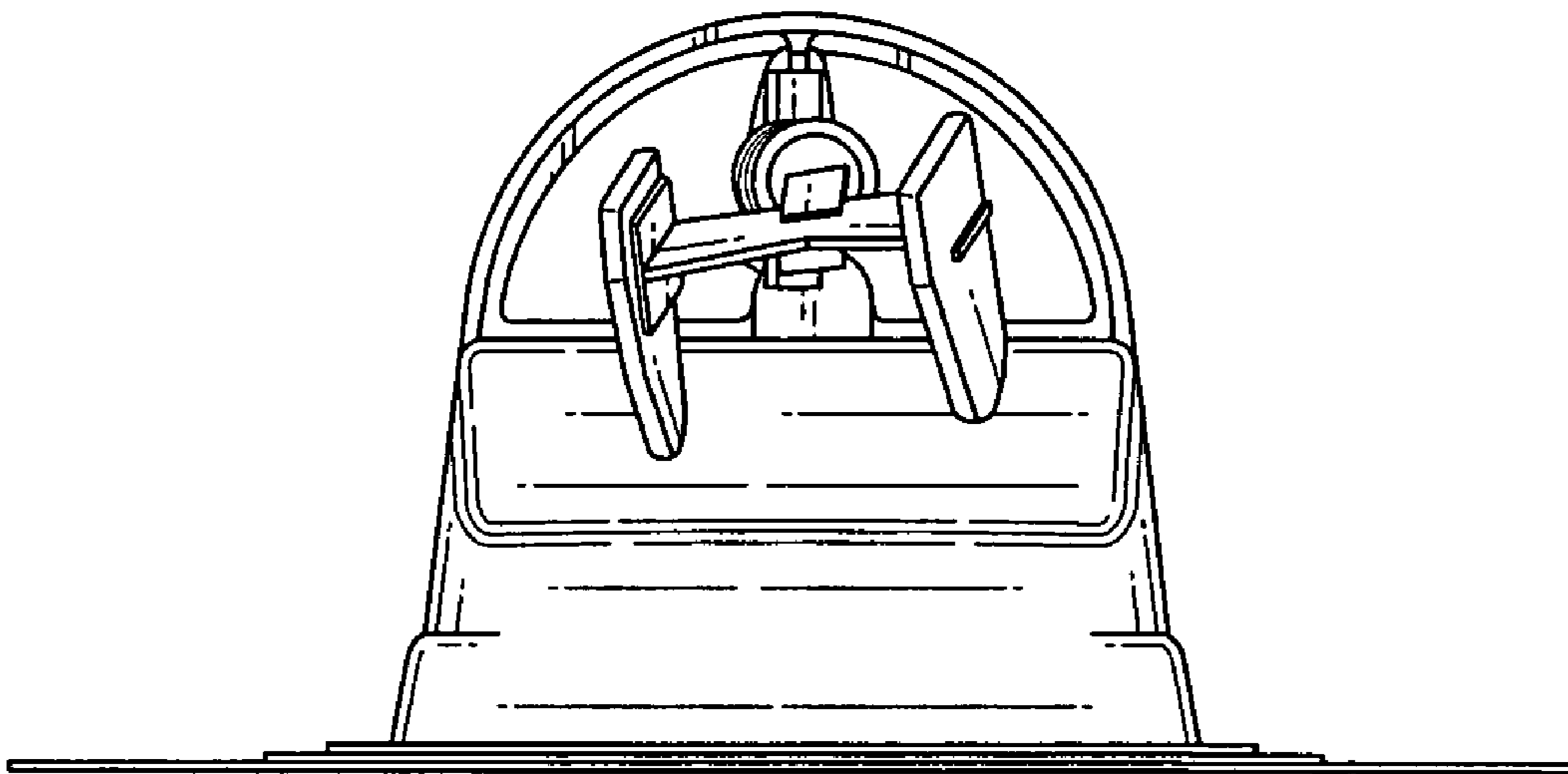


FIG.4

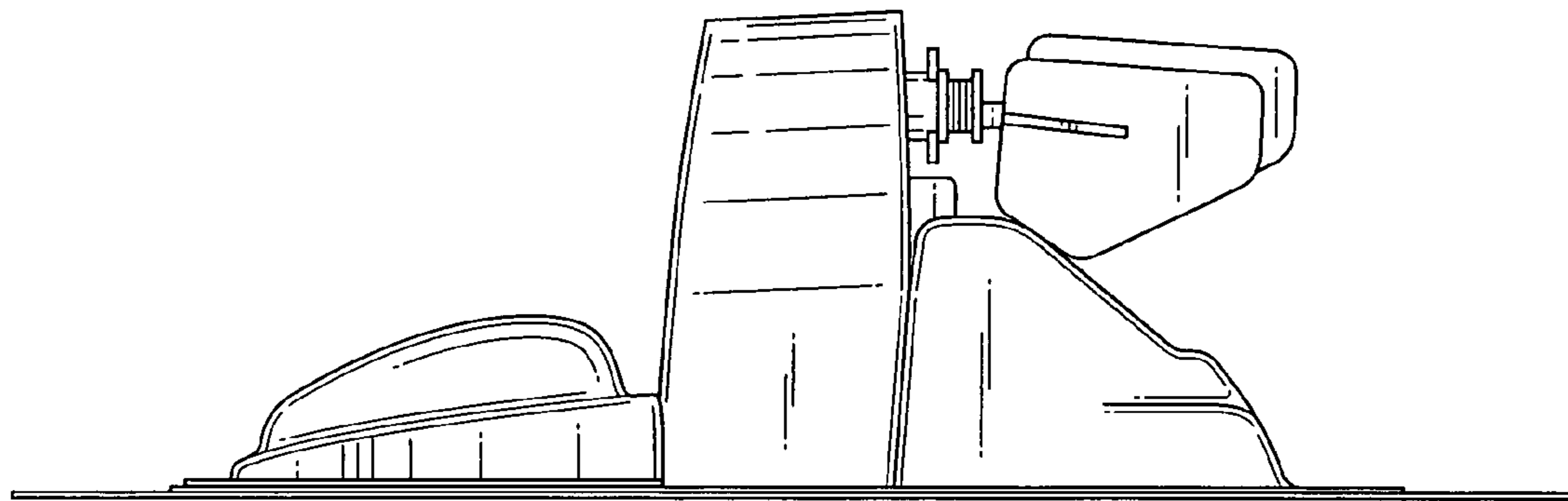


FIG.5

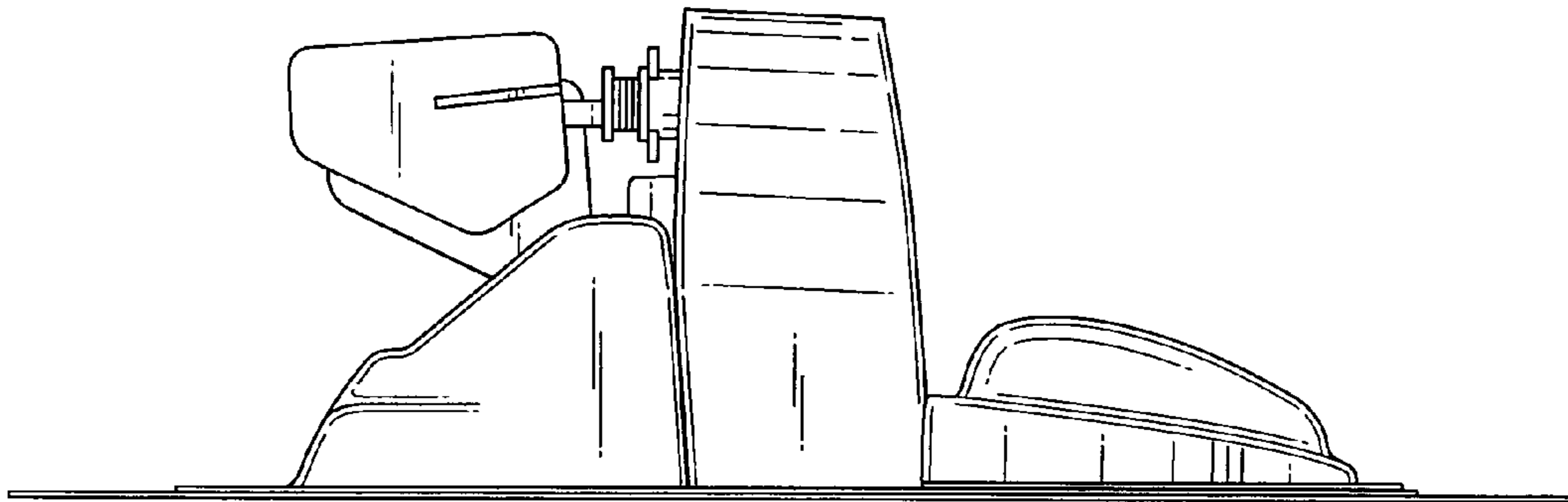


FIG.6

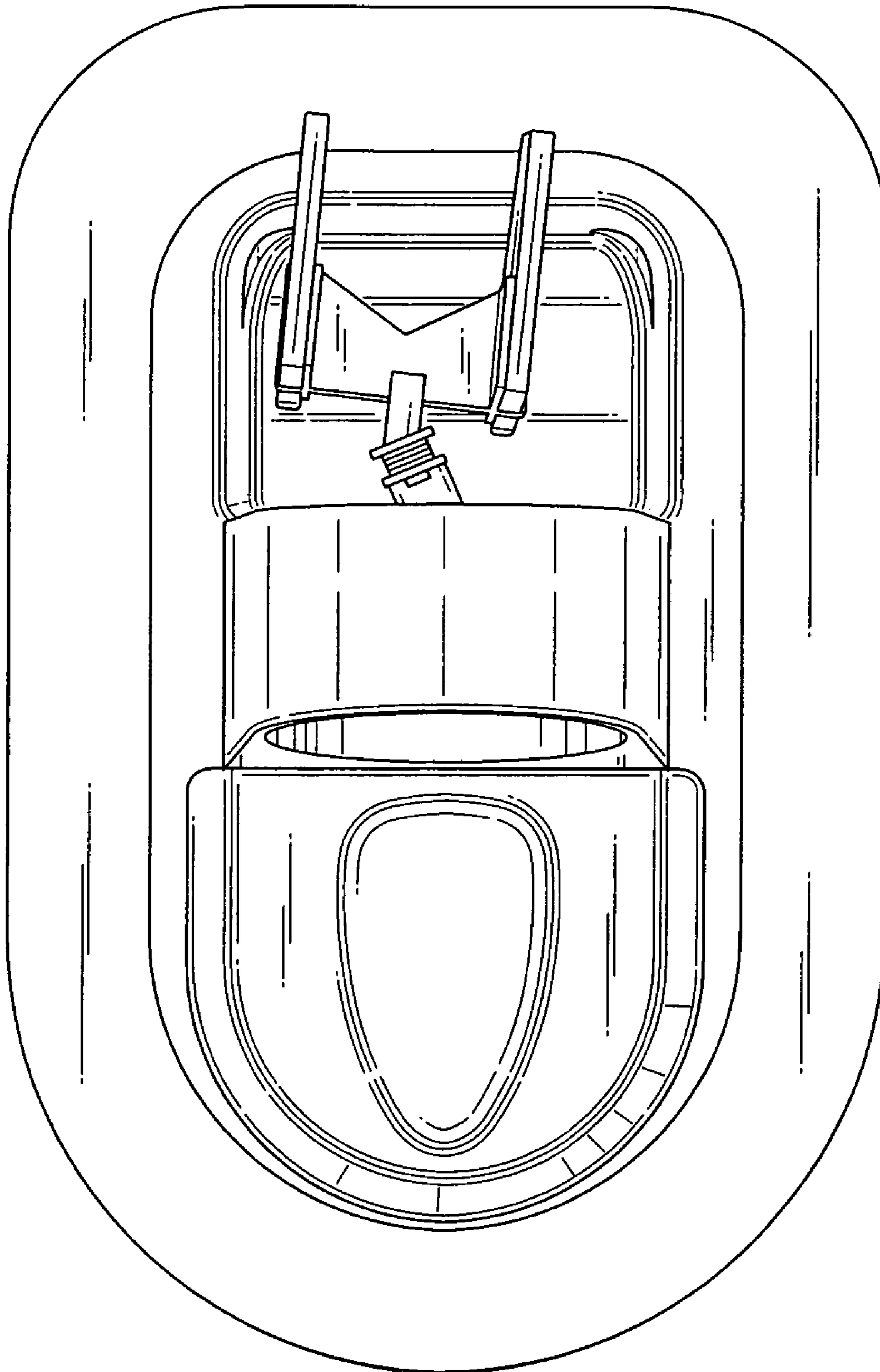


FIG. 7

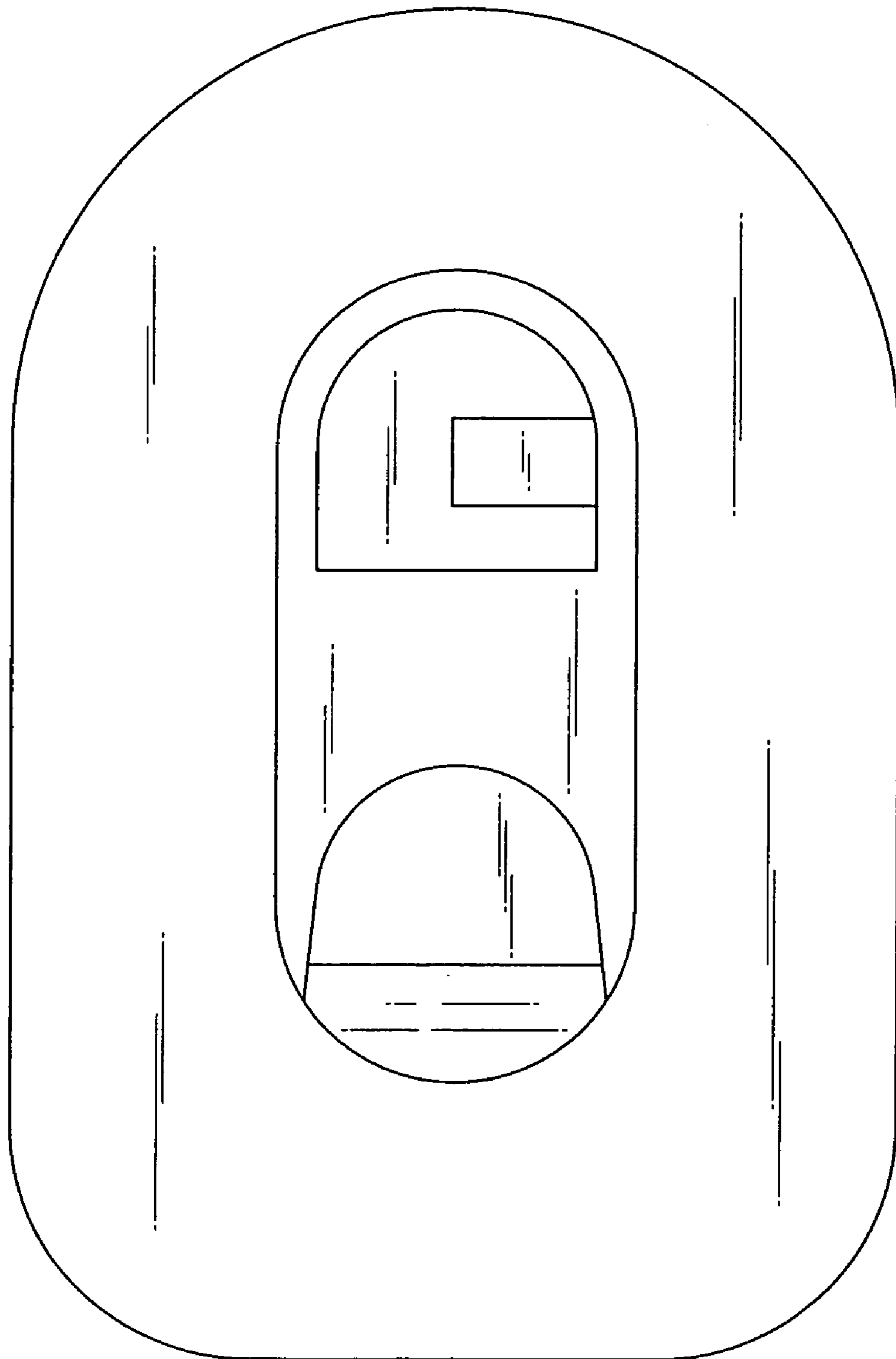


FIG.8

