

US00D591363S

(12) **United States Design Patent**
Lorbek

(10) **Patent No.:** **US D591,363 S**

(45) **Date of Patent:** **** Apr. 28, 2009**

(54) **AERODYNAMIC NOVELTY**

(76) **Inventor:** **Mark Robert Lorbek**, 14 Memorial Avenue, Emerald, Victoria (AU) 3782

(**) **Term:** **14 Years**

(21) **Appl. No.:** **29/296,508**

(22) **Filed:** **Oct. 22, 2007**

(51) **LOC (9) Cl.** **21-01**

(52) **U.S. Cl.** **D21/436; D21/449**

(58) **Field of Classification Search** D21/436-454;
D12/319-345; 446/30-68, 88, 93; 244/4 R-4 A,
244/153 R-153 A, 900-903

See application file for complete search history.

(56) **References Cited**

U.S. PATENT DOCUMENTS

| | | | | |
|---------------|---------|--------------|-------|---------|
| D104,242 S * | 4/1937 | Cernuda | | D12/331 |
| D137,155 S * | 1/1944 | Lewis | | D21/436 |
| D161,473 S * | 1/1951 | Latina | | D21/448 |
| D163,778 S * | 6/1951 | Sol | | D12/331 |
| D204,283 S * | 4/1966 | Westlund | | D21/449 |
| D207,137 S * | 3/1967 | Cernuda | | D12/331 |
| 3,704,540 A * | 12/1972 | Montagu | | 446/40 |
| D231,490 S * | 4/1974 | Cernuda | | D12/2 |
| D279,914 S * | 7/1985 | Solomon, Jr. | | D21/449 |
| 5,520,565 A * | 5/1996 | Ulysse | | 446/46 |

| | | | | |
|---------------|---------|--------------|-------|---------|
| 5,669,803 A * | 9/1997 | Sweed | | 446/61 |
| D482,079 S * | 11/2003 | Solomon, Jr. | | D21/449 |
| D495,762 S * | 9/2004 | Darack | | D21/449 |

* cited by examiner

Primary Examiner—Catherine Tuttle
(74) *Attorney, Agent, or Firm*—Kirk Hahn

(57) **CLAIM**

The ornamental design for an aerodynamic novelty, as shown.

DESCRIPTION

FIG. 1 is a top front and left perspective view of the aerodynamic novelty showing my new design;

FIG. 2 is a bottom rear and right perspective view thereof;

FIG. 3 is a top, rear and right perspective view thereof;

FIG. 4 is a bottom front and left perspective view thereof;

FIG. 5 is a bottom plan view thereof;

FIG. 6 is a left side elevational view thereof;

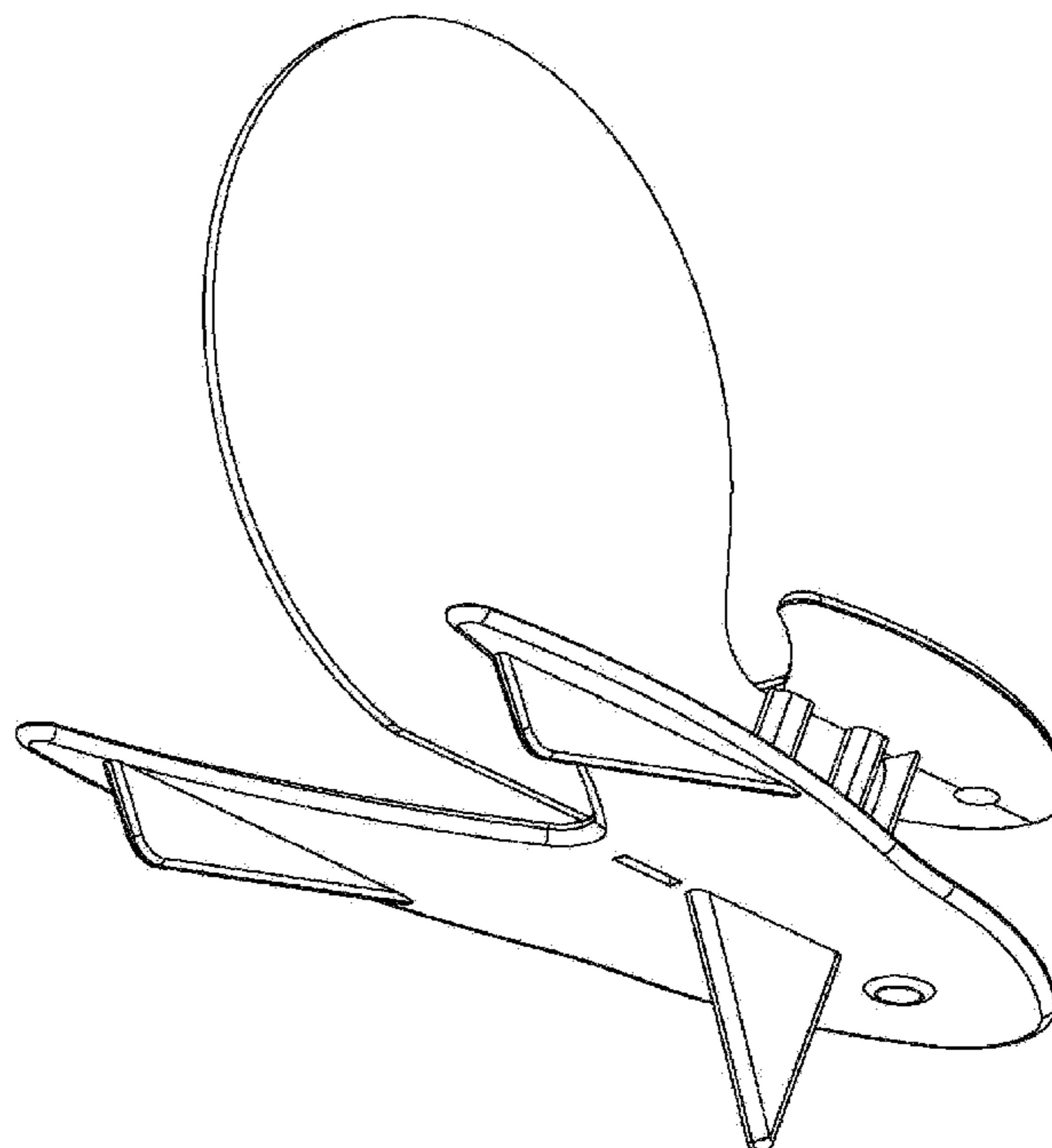
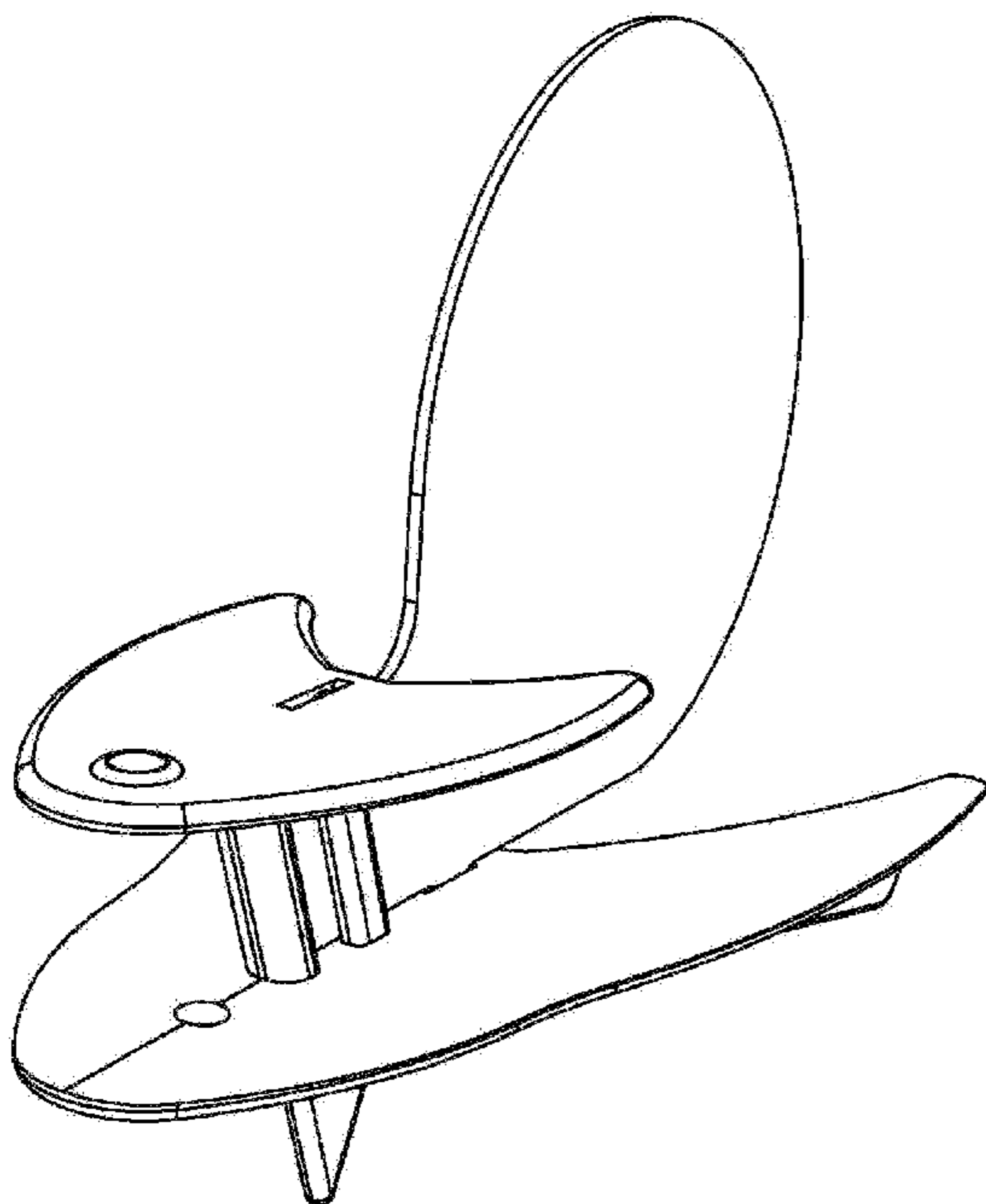
FIG. 7 is a rear elevational view thereof;

FIG. 8 is a right side elevational view thereof;

FIG. 9 is a front elevational view thereof; and,

FIG. 10 is a top plan view thereof.

1 Claim, 10 Drawing Sheets



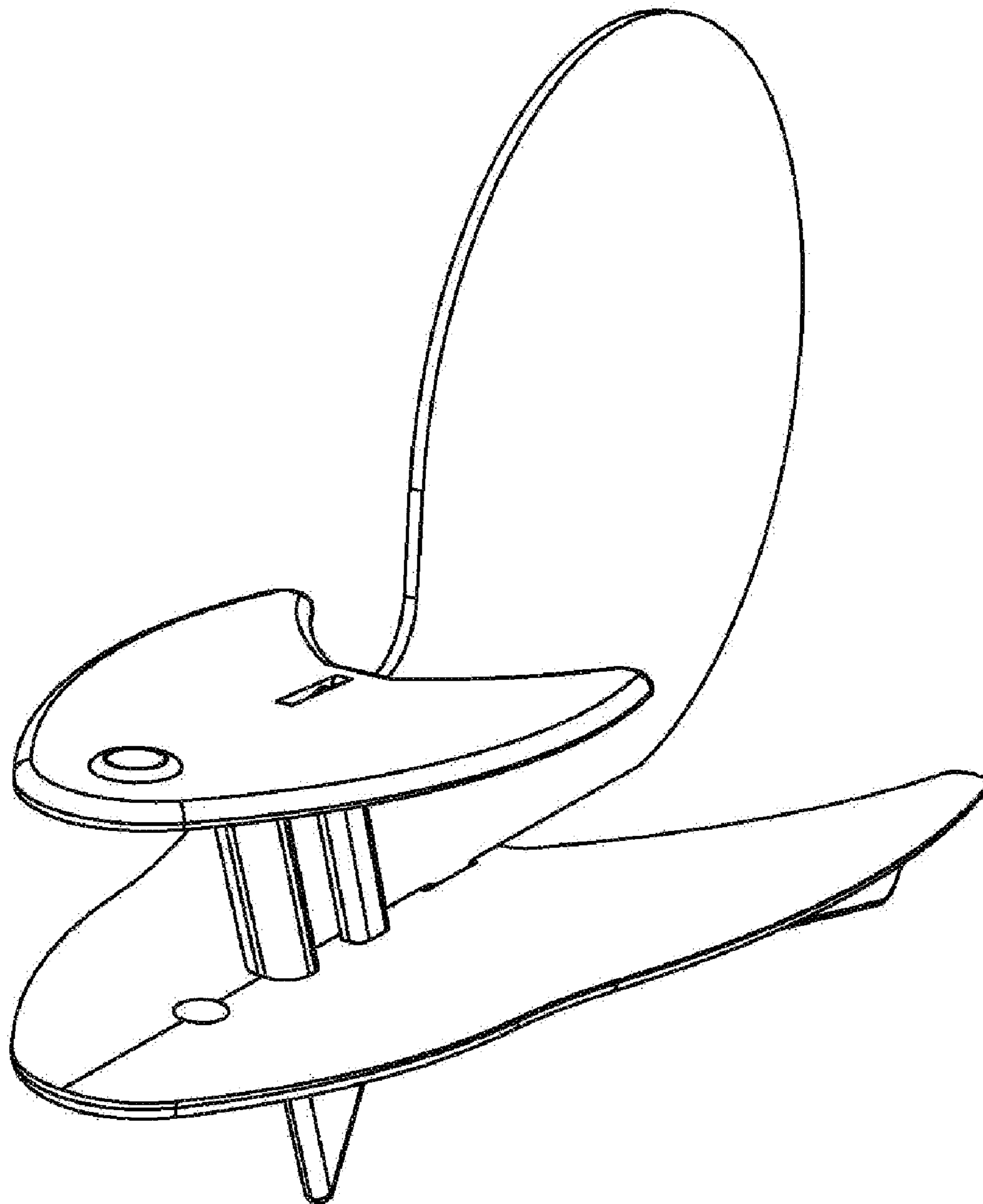


FIG. 1

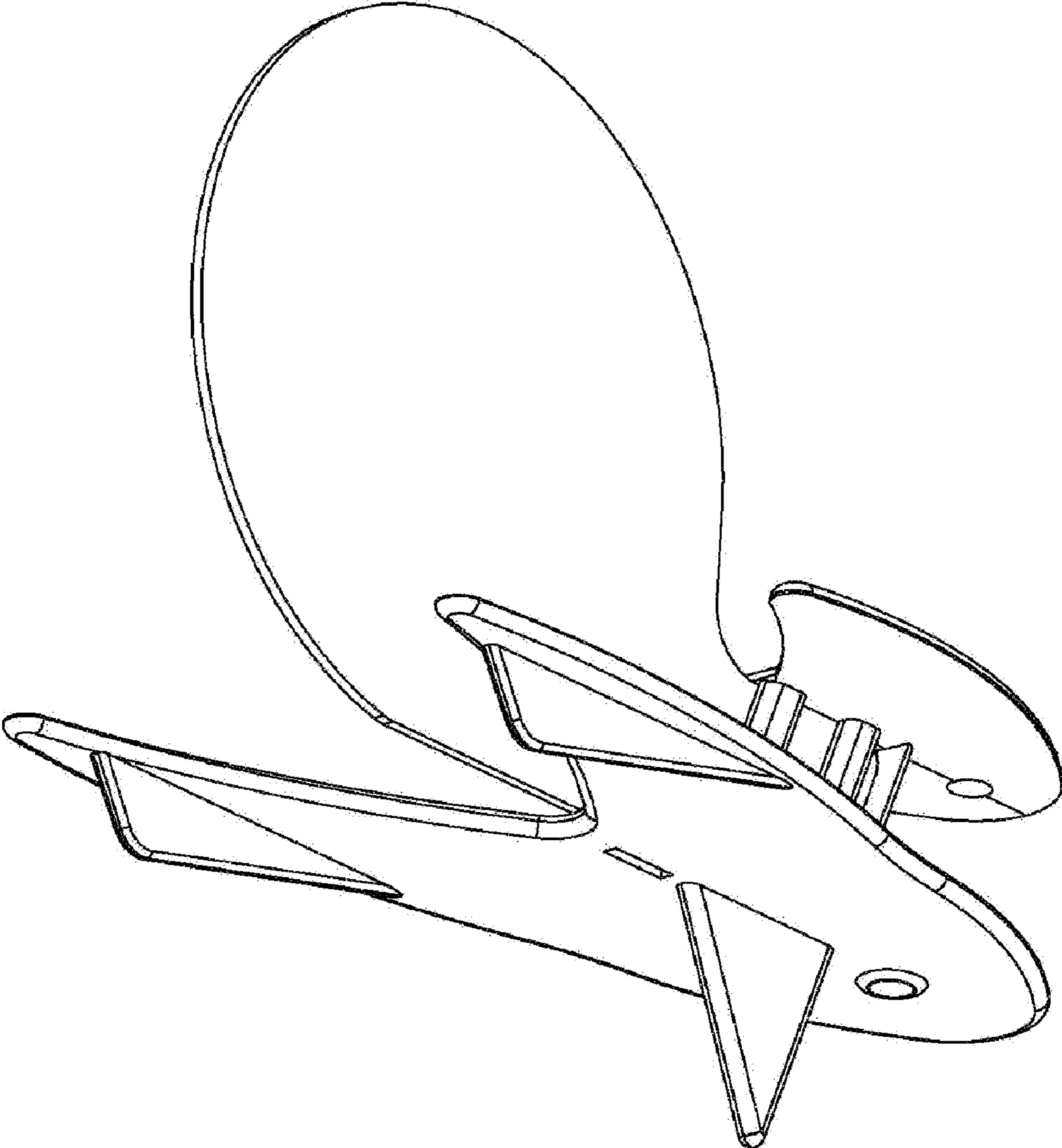


FIG. 2

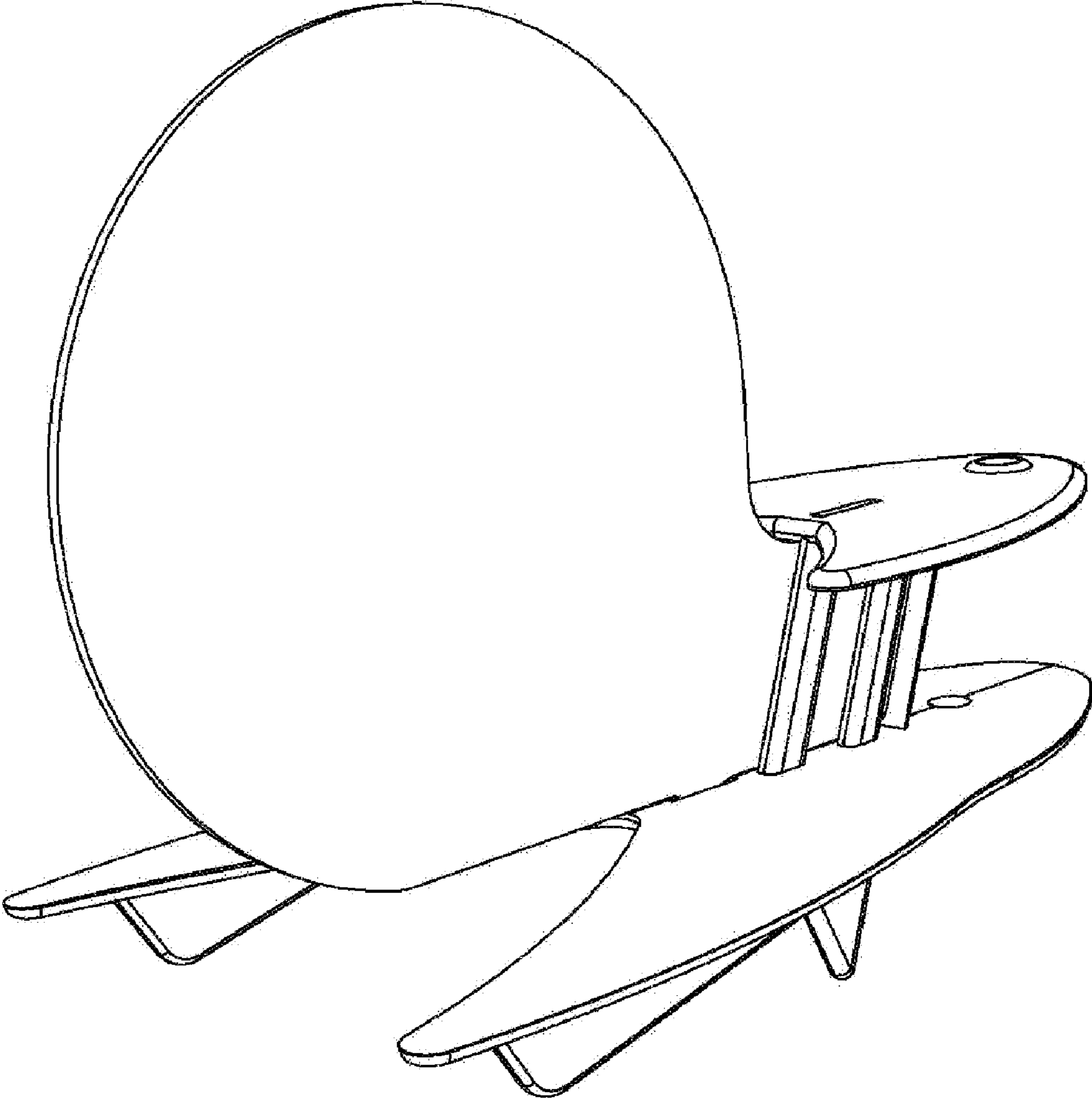


FIG. 3

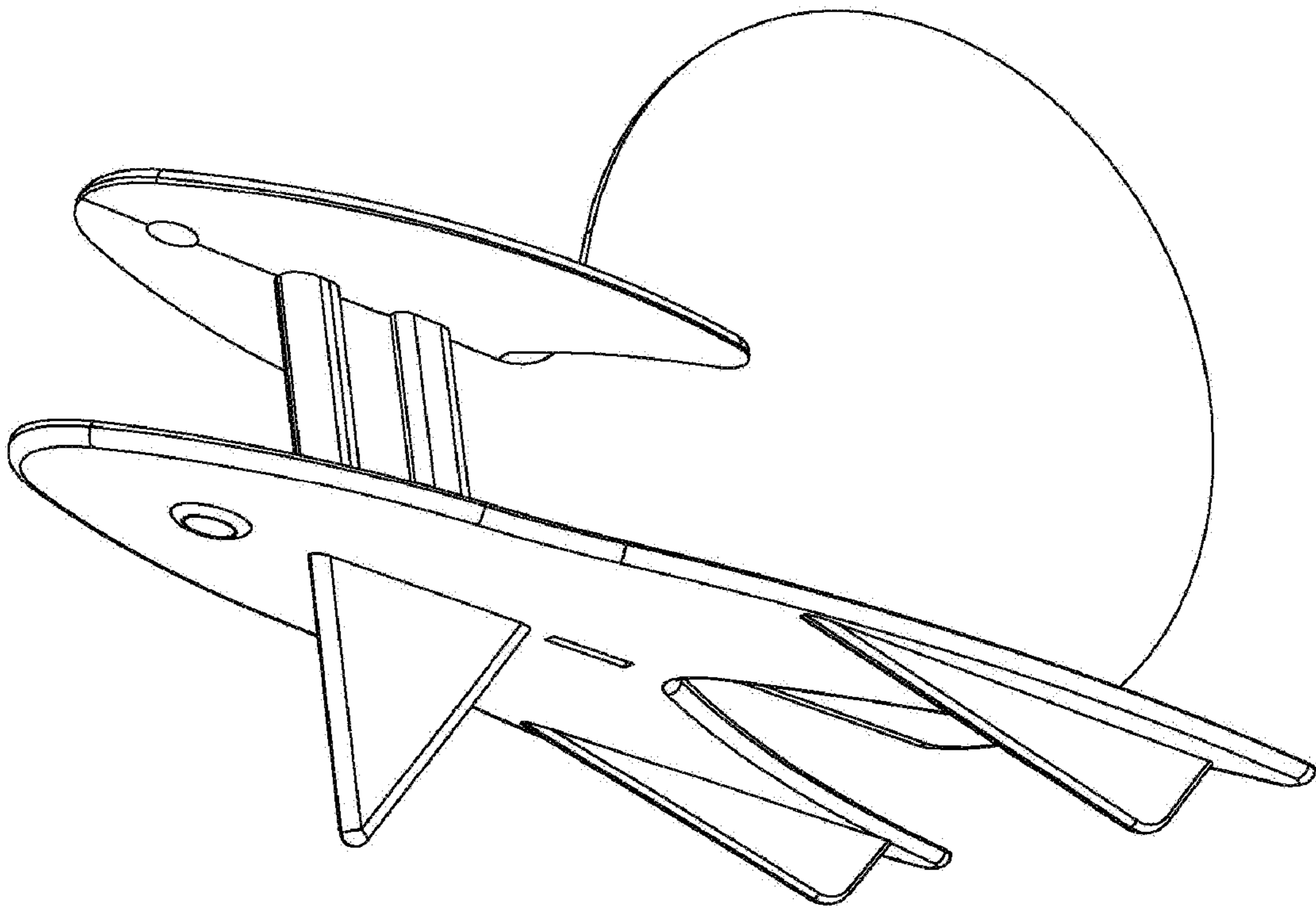


FIG. 4

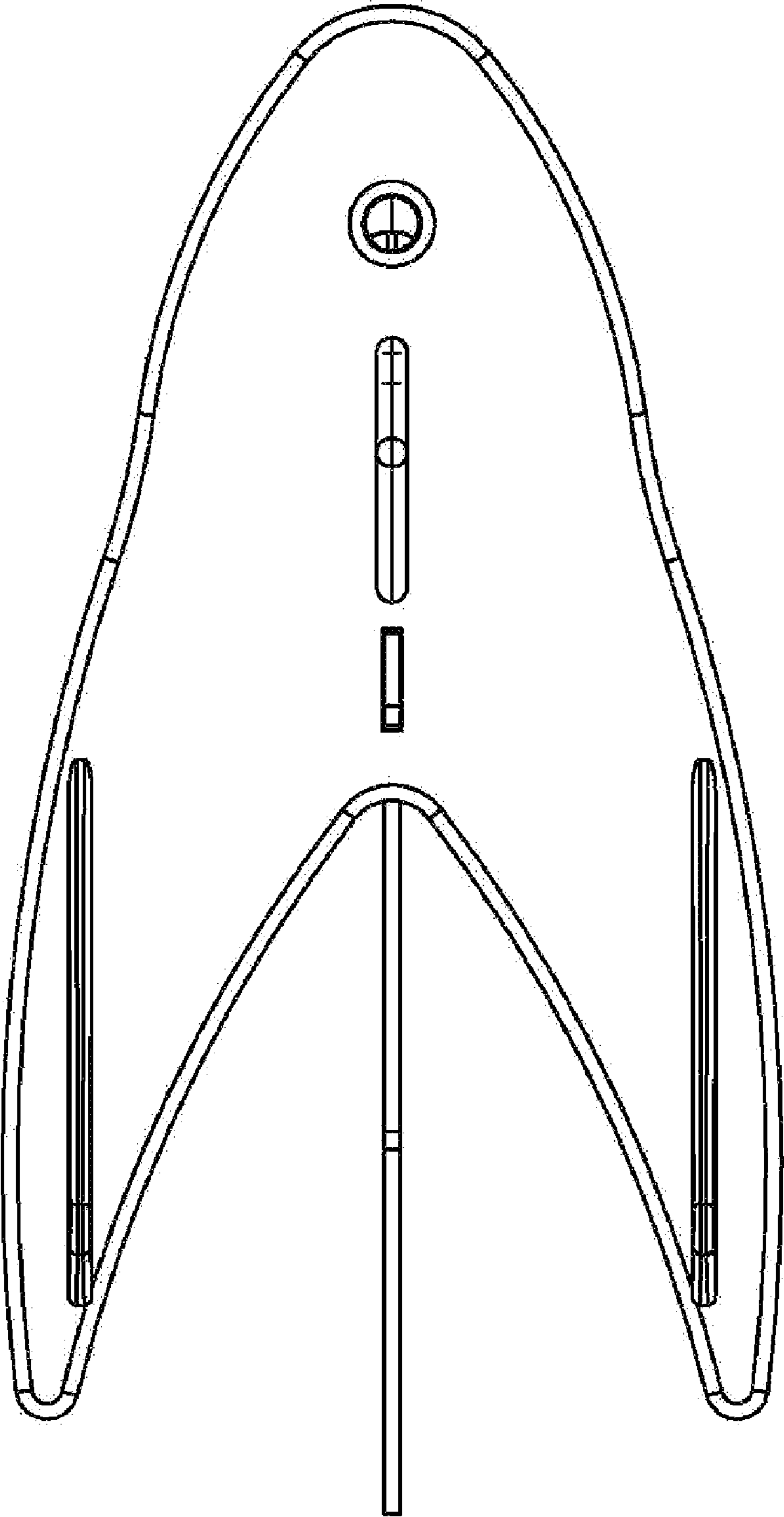


FIG. 5

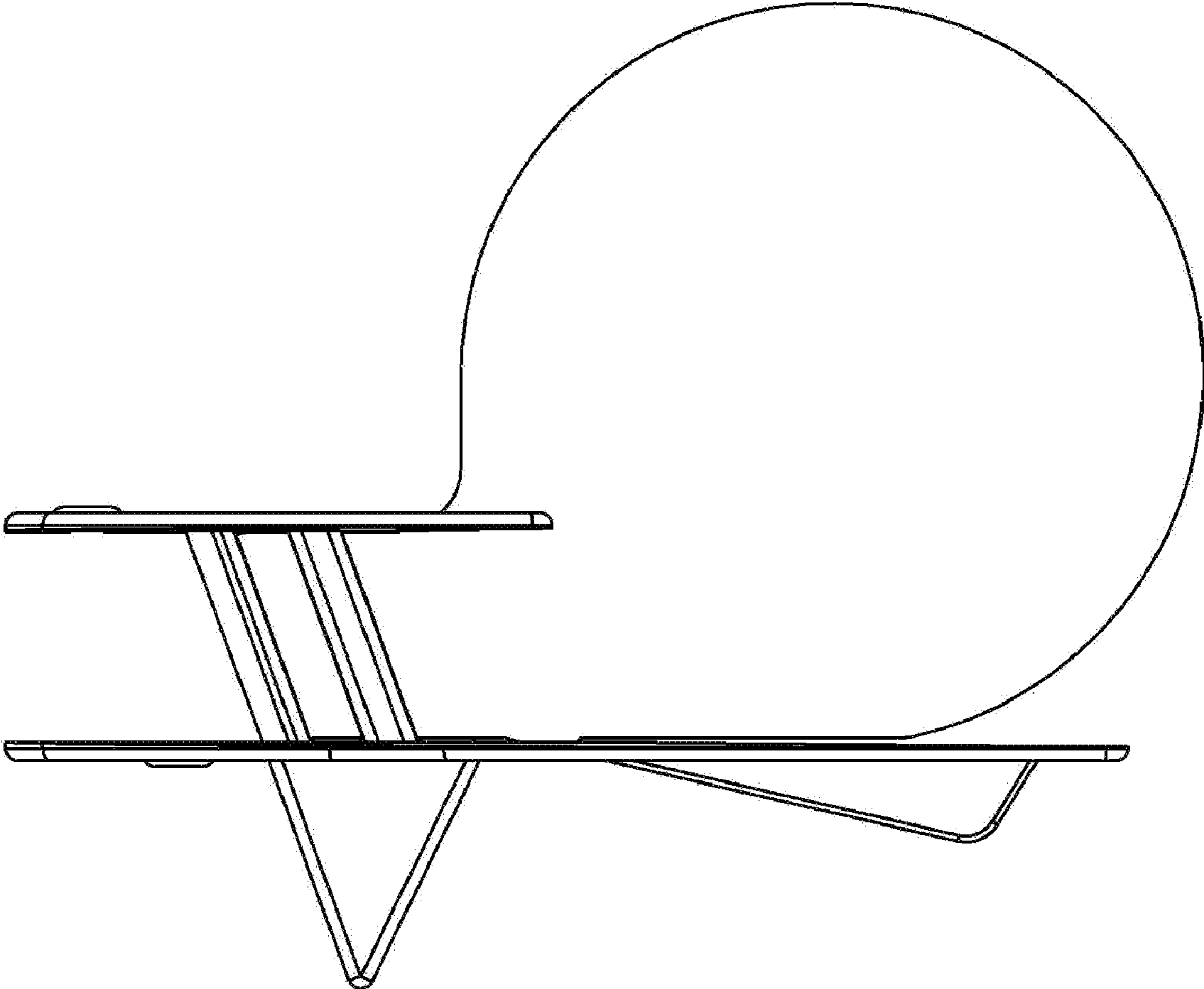


FIG. 6

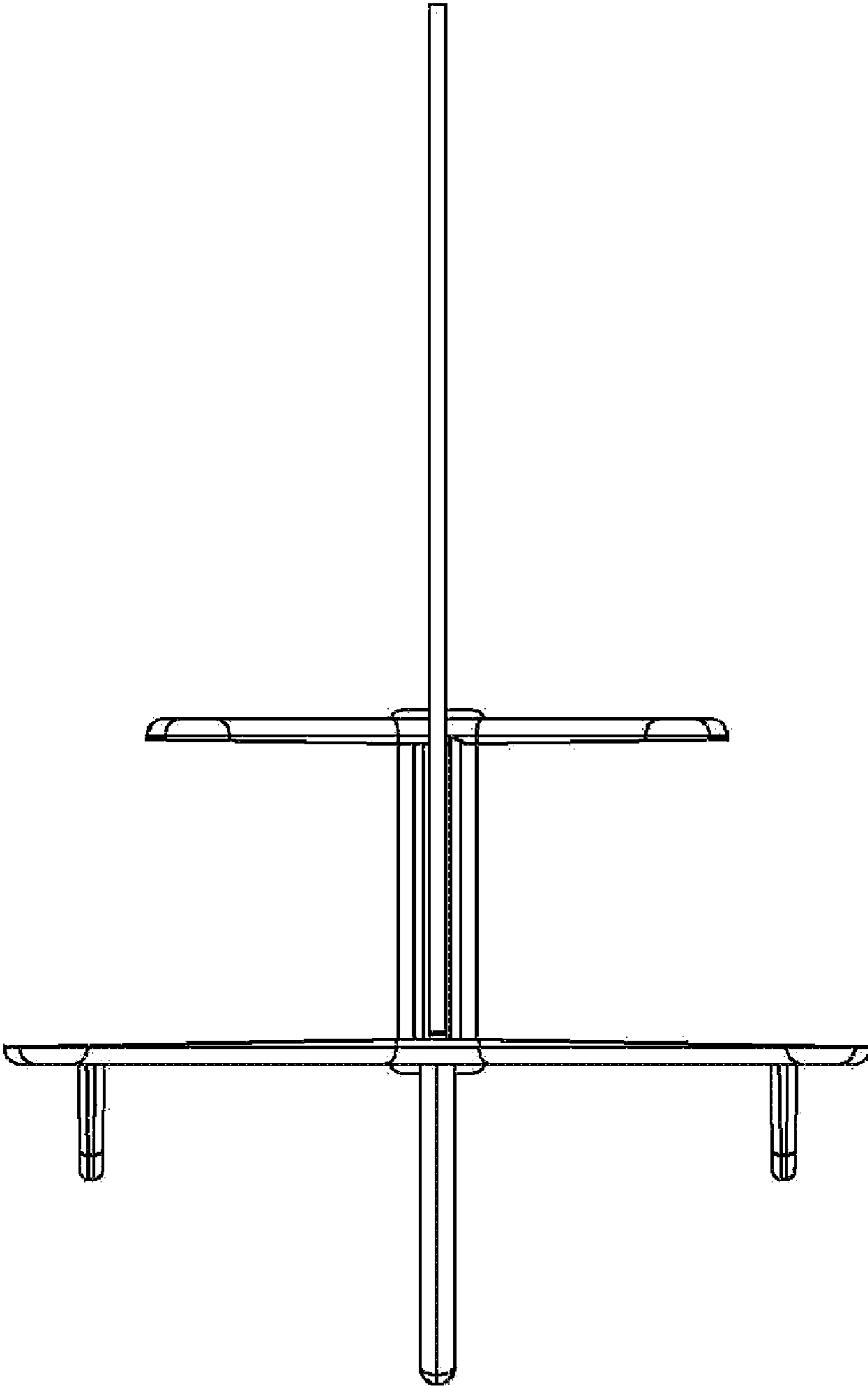


FIG. 7

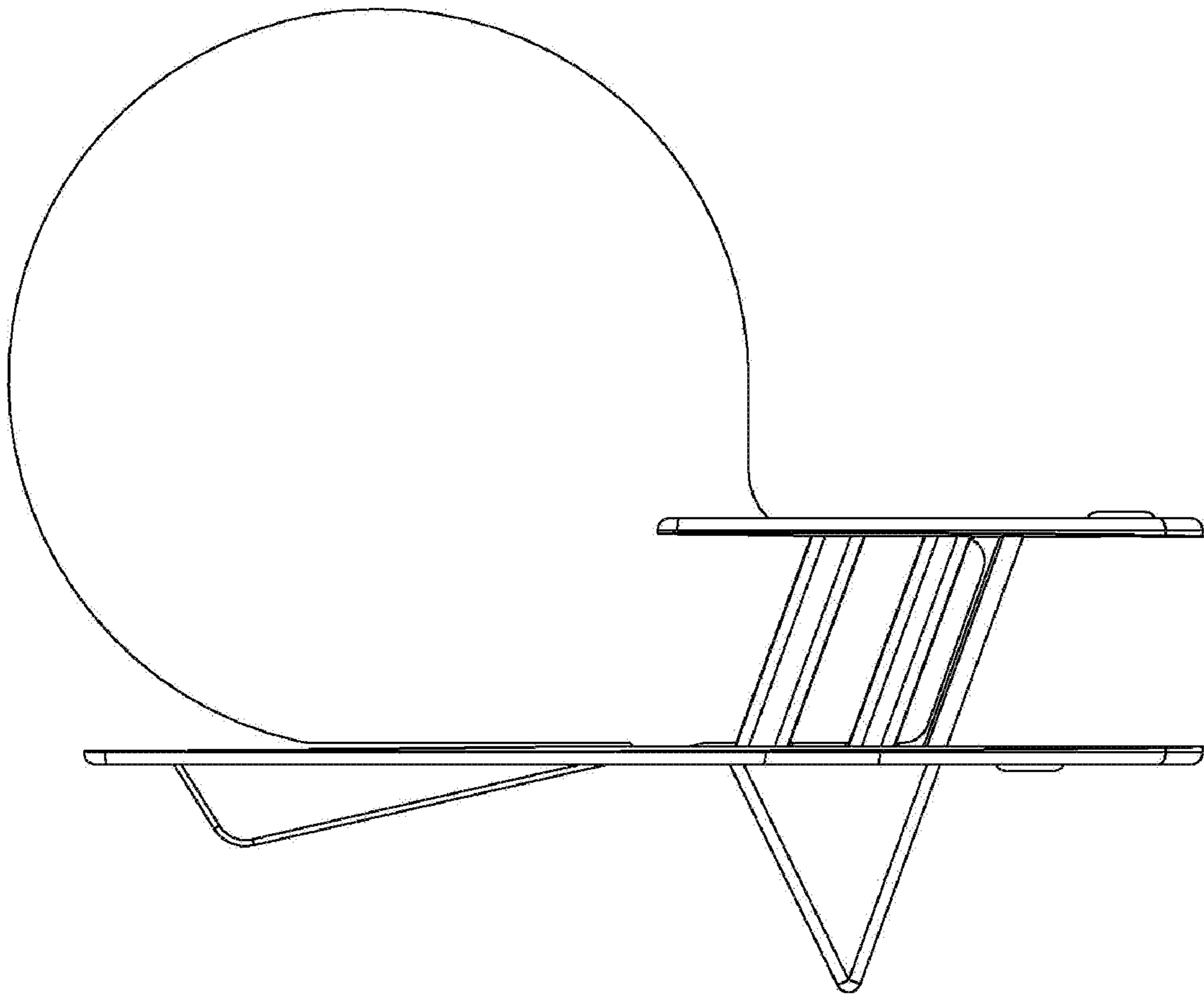


FIG. 8

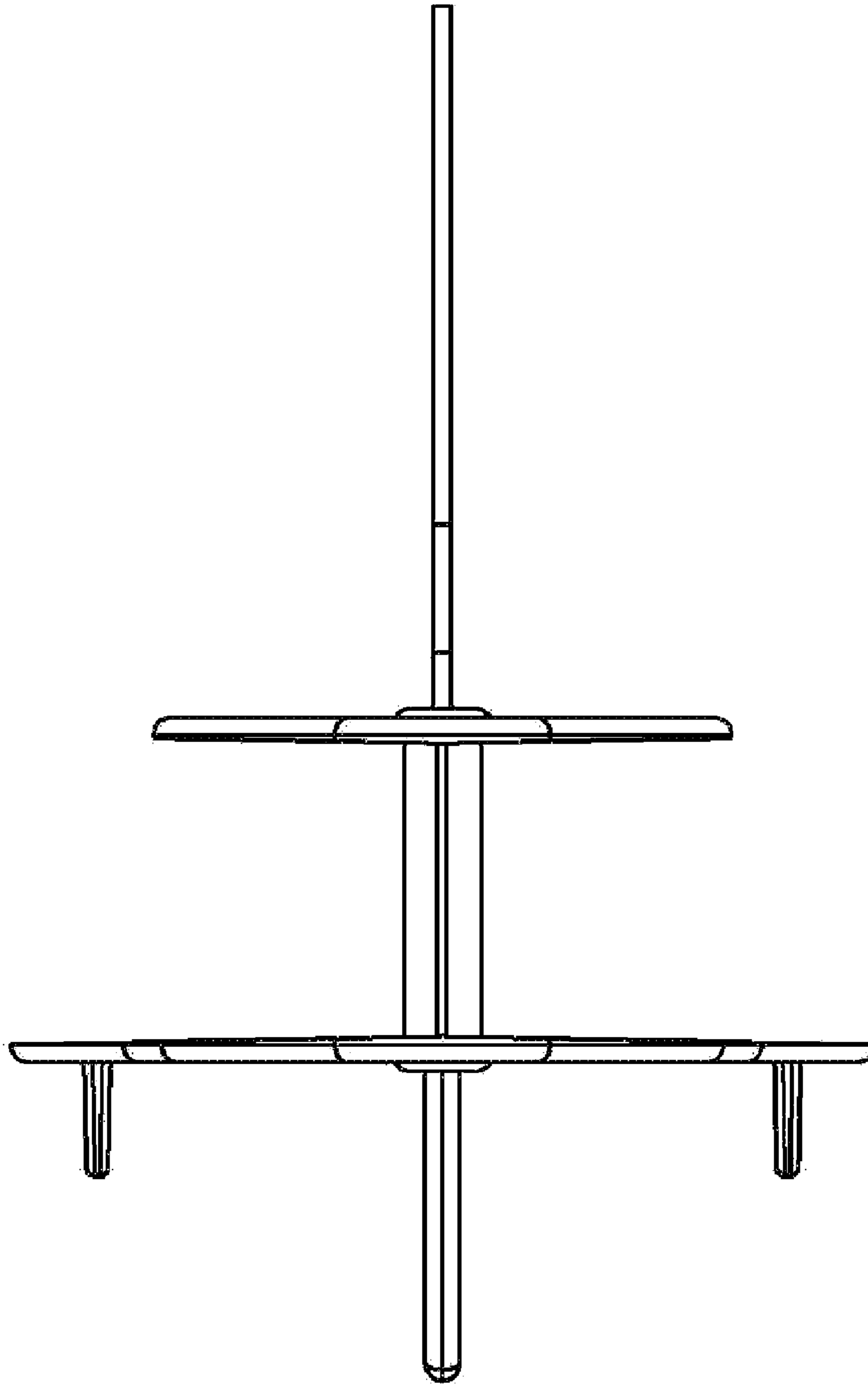


FIG. 9

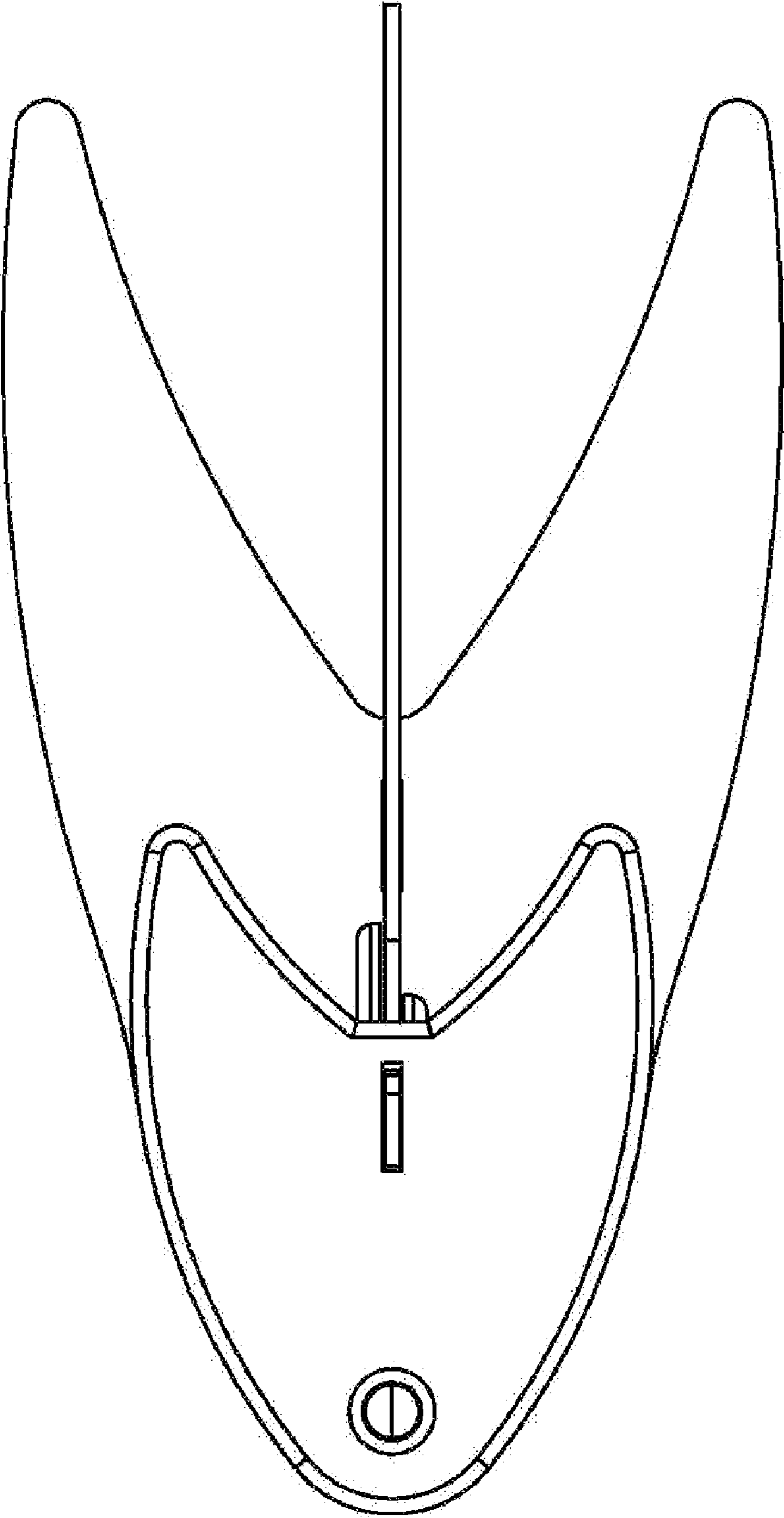


FIG. 10