



US00D591358S

(12) **United States Design Patent**
Moore

(10) **Patent No.:** **US D591,358 S**

(45) **Date of Patent:** **** Apr. 28, 2009**

(54) **BOLO TOSS TARGET**

(76) Inventor: **Jacob Leslie Moore**, 616 15th St.,
Huntington Beach, CA (US) 92648

(**) Term: **14 Years**

(21) Appl. No.: **29/270,148**

(22) Filed: **Dec. 14, 2006**

(51) **LOC (9) Cl.** **21-01**

(52) **U.S. Cl.** **D21/302**

(58) **Field of Classification Search** D21/300–304,
D21/309, 435, 465, 712, 699, 318; 273/331,
273/332–335, 348, 407, 343, 317.3; 473/575,
473/576, 514, 476, 577, 454

See application file for complete search history.

(56) **References Cited**

U.S. PATENT DOCUMENTS

D478,938	S	*	8/2003	Vande Hey et al.	D21/302
D478,939	S	*	8/2003	McReynolds	D21/302
6,808,175	B1	*	10/2004	Gleeson	273/343
D570,417	S	*	6/2008	Poe et al.	D21/302
2002/0084588	A1	*	7/2002	Lynch	273/343
2005/0082761	A1	*	4/2005	Lynch	273/343
2006/0125184	A1	*	6/2006	Benson	273/343

2007/0035093	A1	*	2/2007	Fuchs	273/343
2007/0246886	A1	*	10/2007	Hunt et al.	273/343
2007/0257438	A1	*	11/2007	Deal	273/343
2008/0093803	A1	*	4/2008	Vallee et al.	273/343

* cited by examiner

Primary Examiner—Prabhakar Deshmukh

(74) *Attorney, Agent, or Firm*—Risto A. Rinne, Jr.

(57) **CLAIM**

The ornamental design for a bolo toss target, as shown and described.

DESCRIPTION

FIG. 1 is a left side elevational view of a bolo toss target showing my new design;

FIG. 2 is a right side elevational view thereof;

FIG. 3 is a front elevational view thereof;

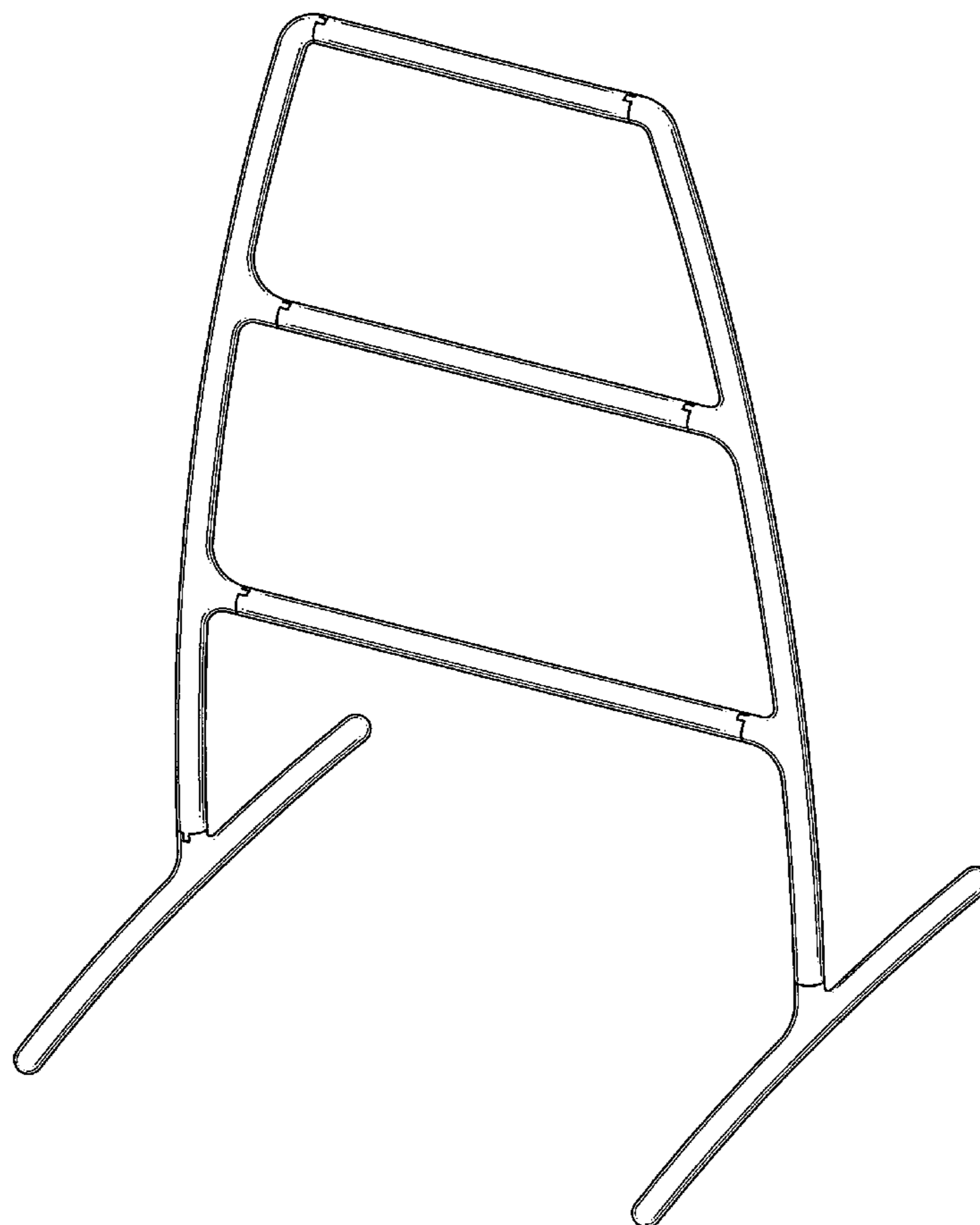
FIG. 4 is a rear elevational view thereof;

FIG. 5 is a top plan view thereof;

FIG. 6 is a perspective view thereof; and,

FIG. 7 is an exploded perspective view thereof.

1 Claim, 7 Drawing Sheets



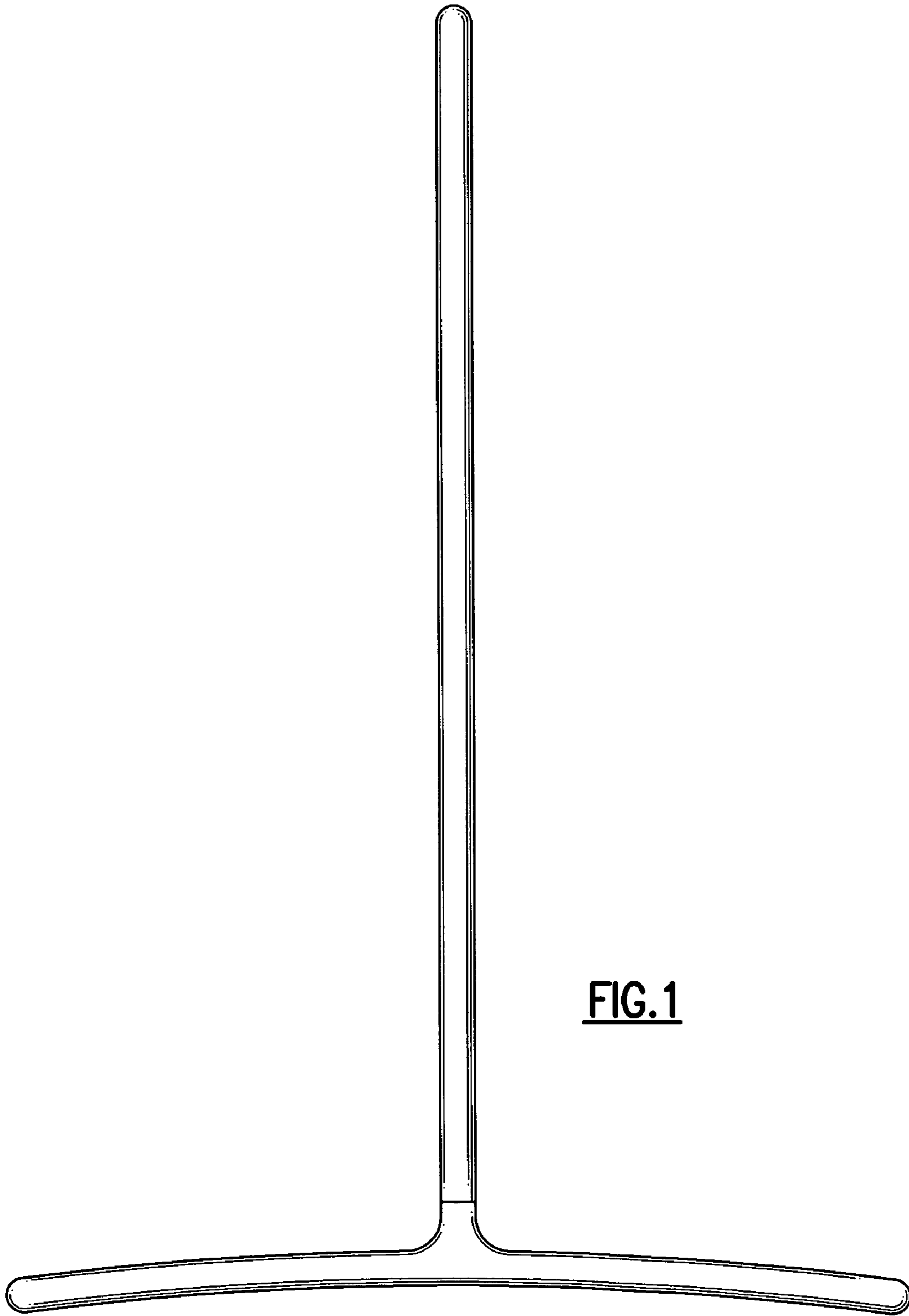


FIG. 1

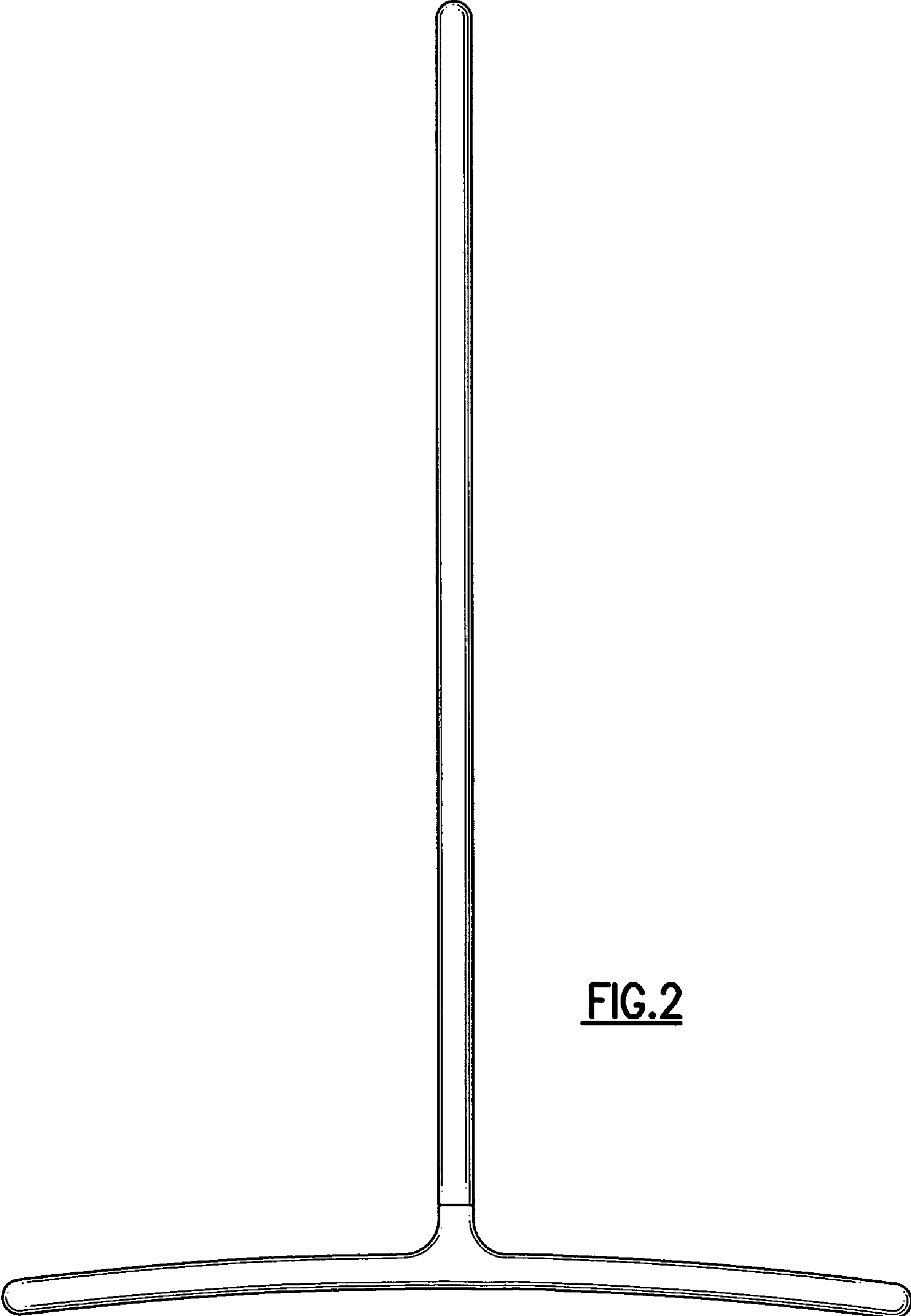


FIG. 2

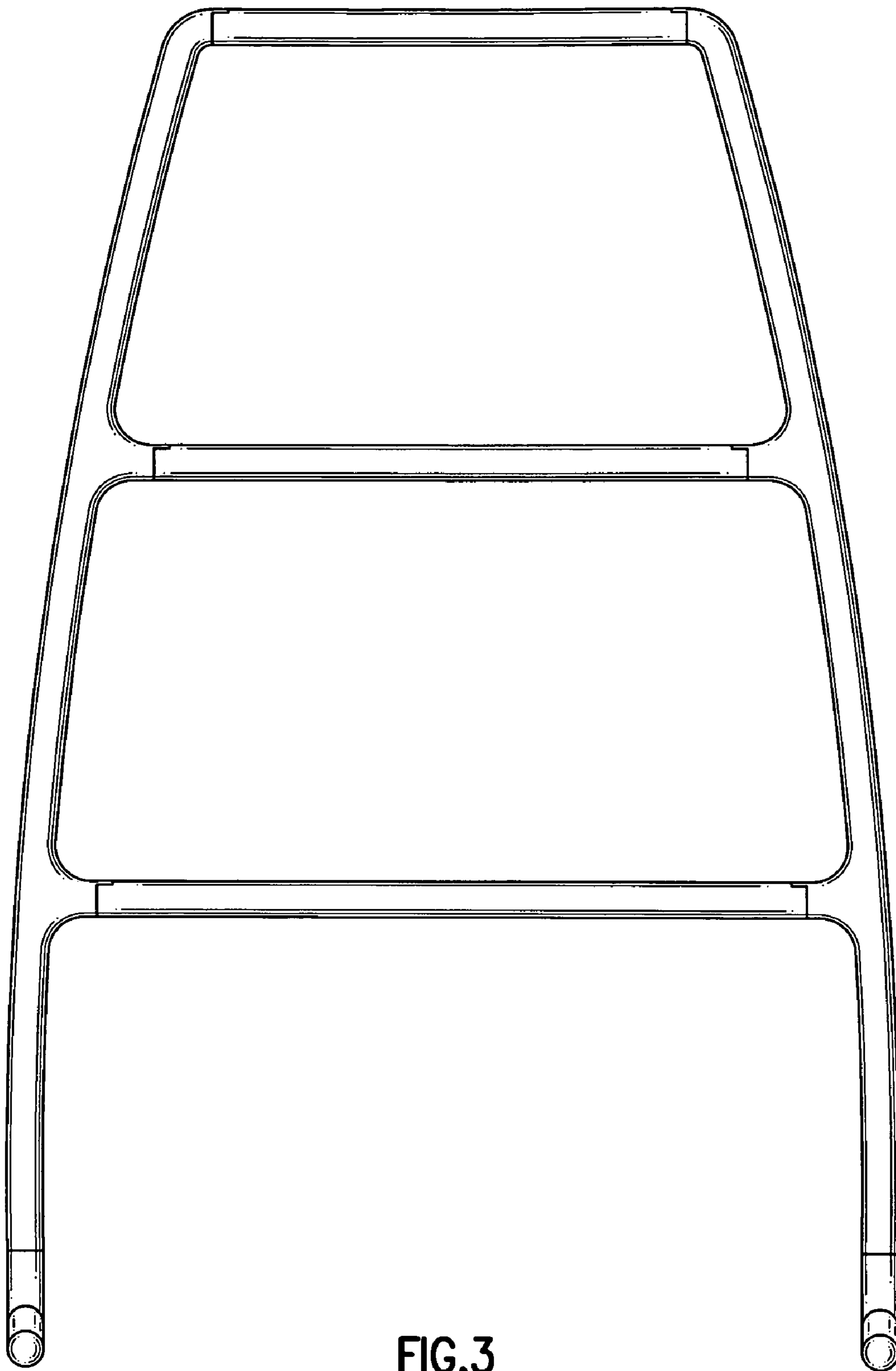


FIG.3

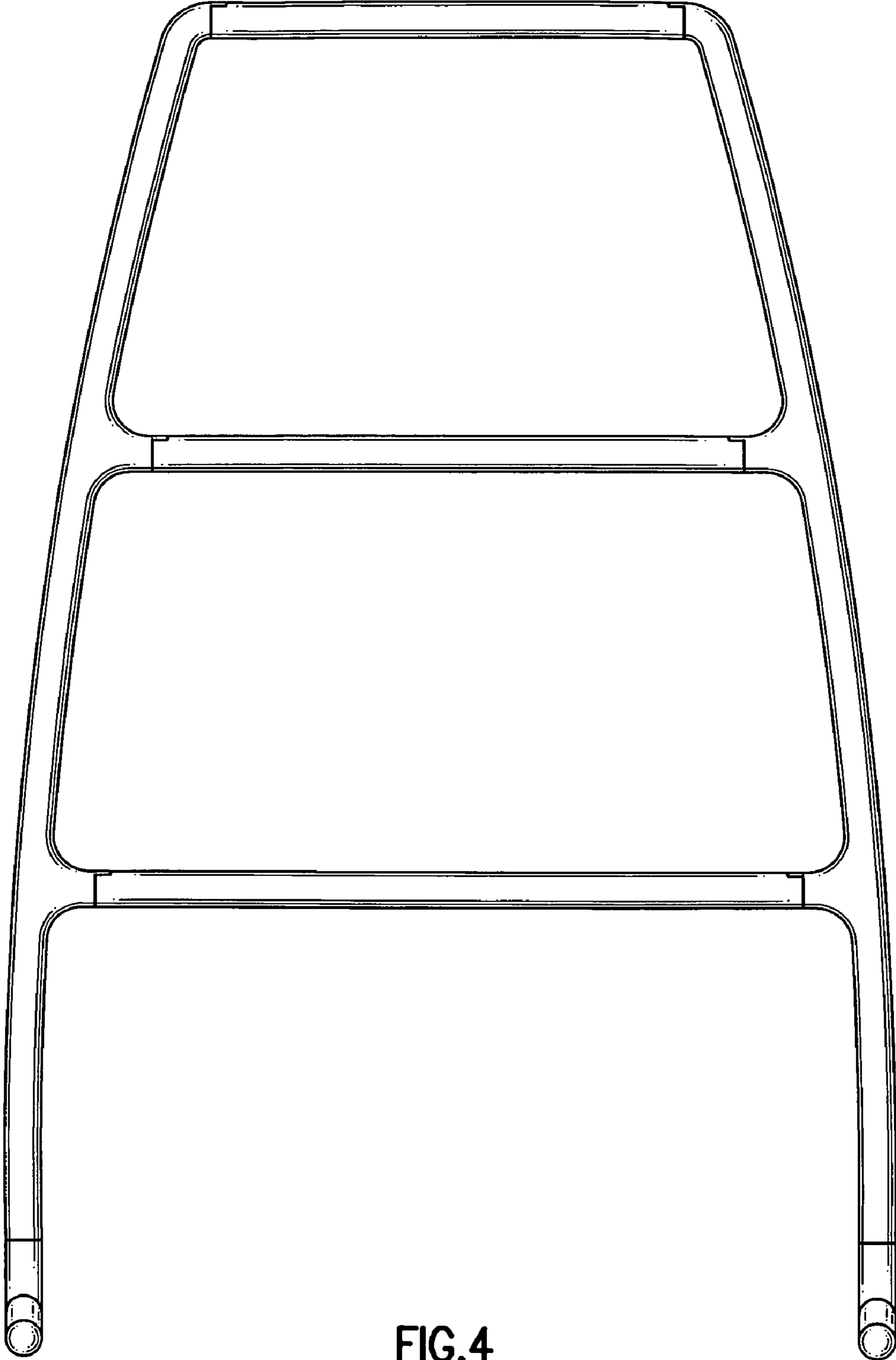


FIG. 4

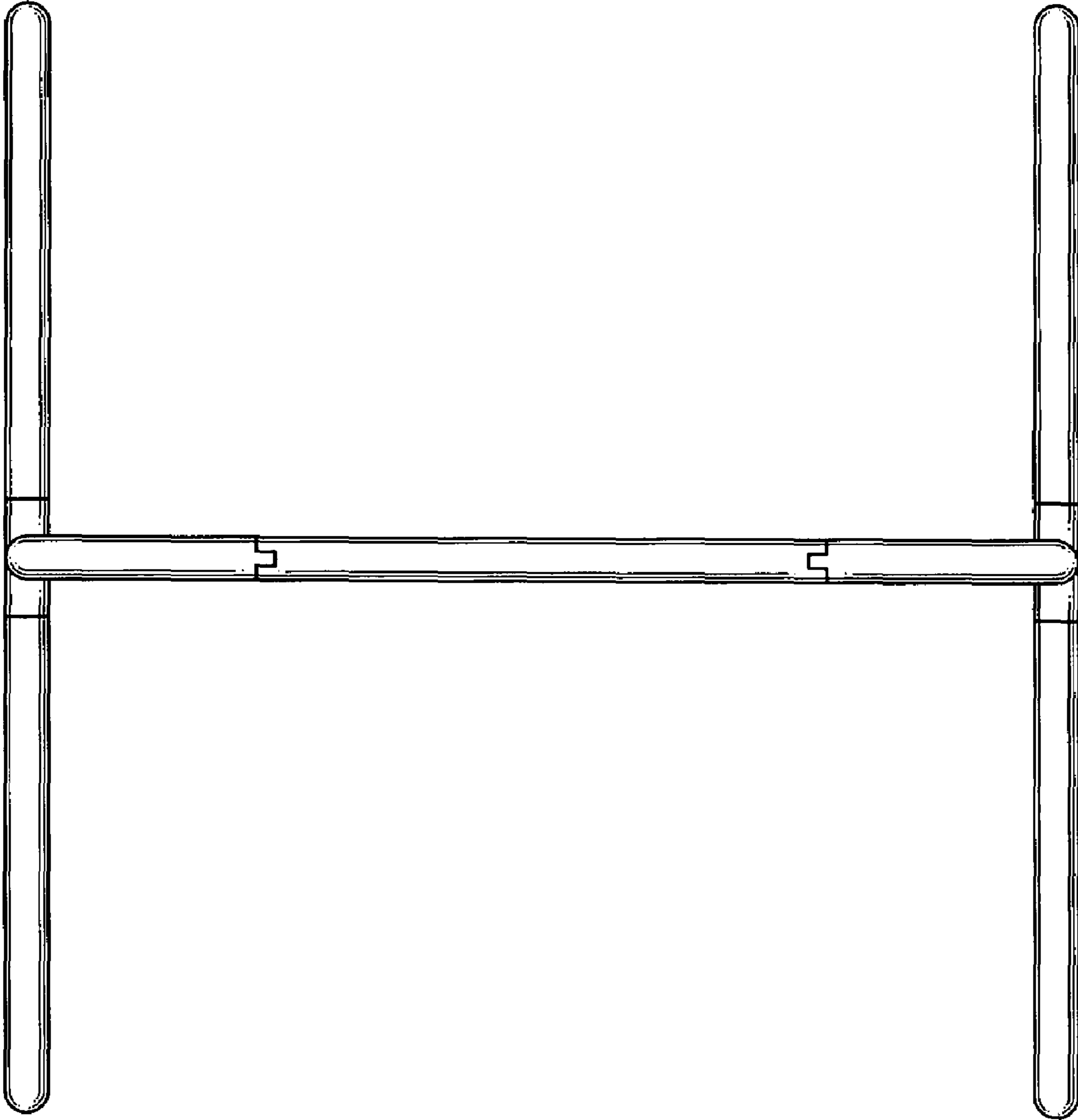


FIG. 5

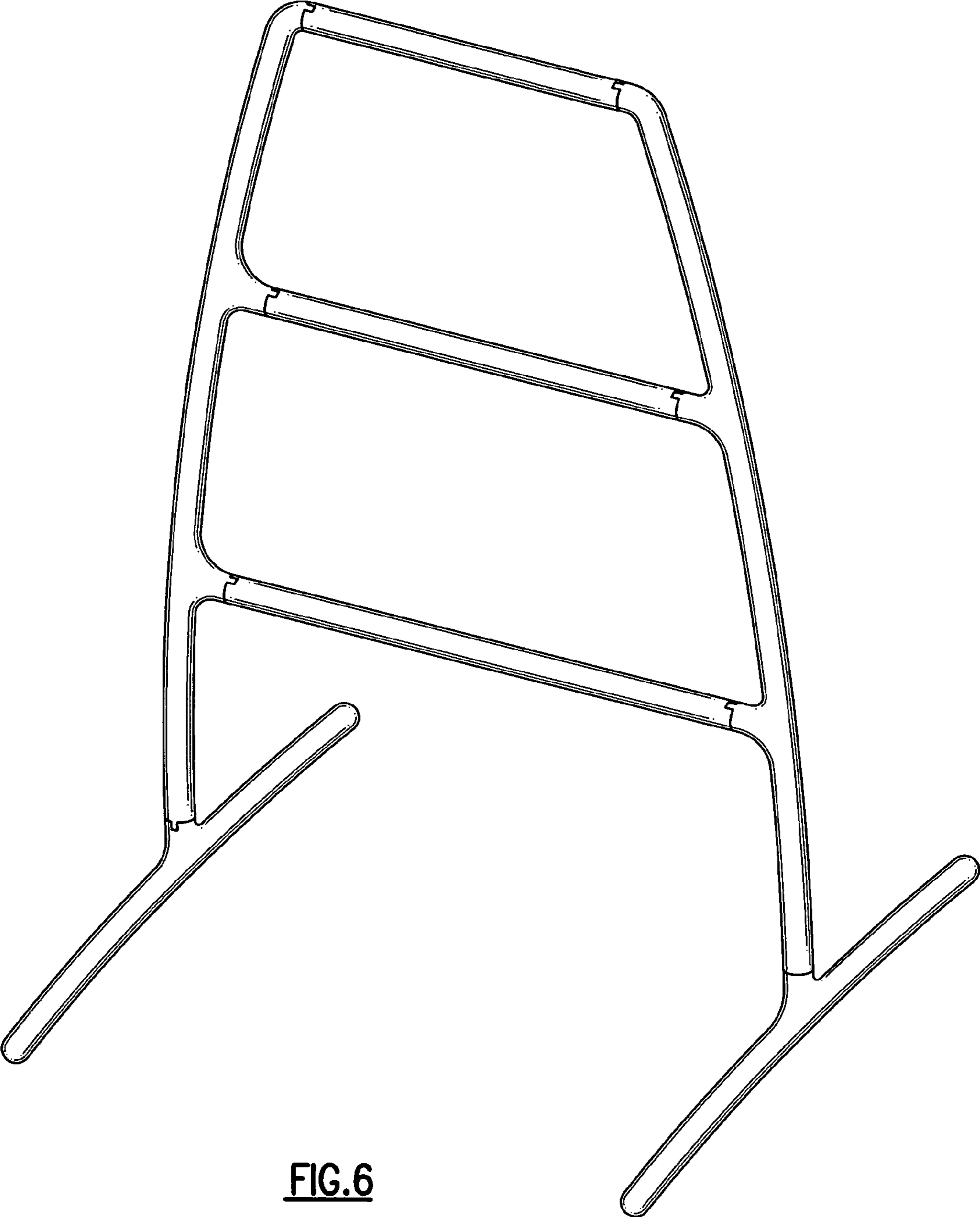


FIG. 6

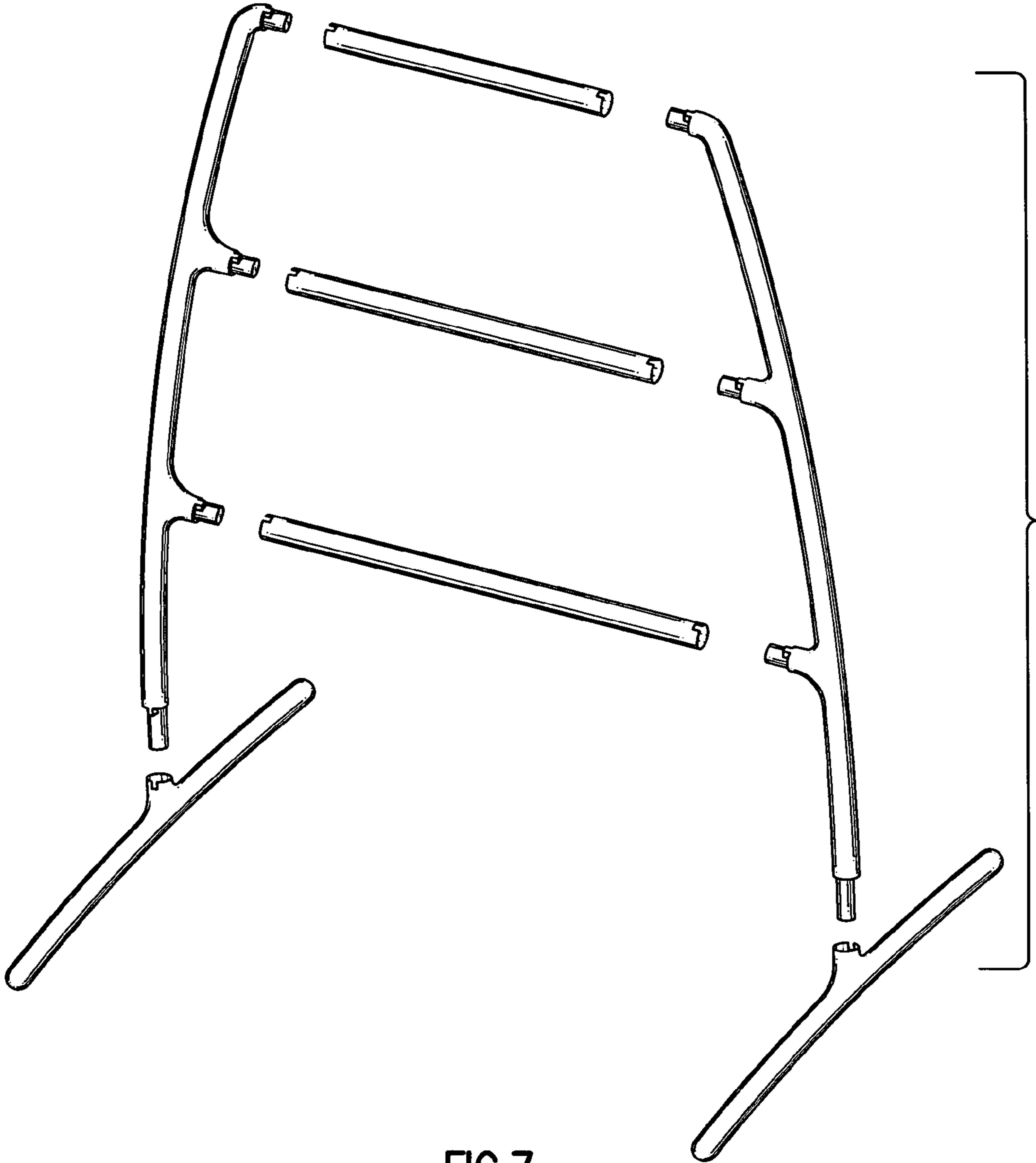


FIG.7