



US00D591347S

(12) **United States Design Patent**
Leon

(10) **Patent No.:** **US D591,347 S**
(45) **Date of Patent:** **** Apr. 28, 2009**

(54) **WRITING INSTRUMENT**

(75) Inventor: **Julie Leon**, Saint Philbert de Bouaine (FR)

(73) Assignee: **Parker Pen Products** (GB)

(**) Term: **14 Years**

(21) Appl. No.: **29/302,368**

(22) Filed: **Jan. 15, 2008**

(30) **Foreign Application Priority Data**

Jul. 17, 2007 (EM) 000758917

(51) **LOC (9) Cl.** **19-06**

(52) **U.S. Cl.** **D19/48**

(58) **Field of Classification Search** D19/35,
D19/36, 41-51, 53-57; 24/11 R, 11 F, 11 P;
401/52, 99, 100, 104-109, 192, 195, 196
See application file for complete search history.

(56) **References Cited**

U.S. PATENT DOCUMENTS

- D267,655 S * 1/1983 Verona D19/51
- D311,774 S * 10/1990 Lax D24/224
- 5,024,547 A * 6/1991 Mui et al. 401/195
- D355,439 S * 2/1995 Hollington D19/43
- D383,494 S * 9/1997 Polenberg D19/48
- D536,734 S * 2/2007 Bodino D19/57
- D561,831 S * 2/2008 Qiu et al. D19/51
- D567,288 S * 4/2008 Keil D19/50
- D579,047 S * 10/2008 Dhesse et al. D19/48

* cited by examiner

Primary Examiner—Elizabeth A Albert

(74) *Attorney, Agent, or Firm*—Marshall, Gerstein & Borun LLP

(57) **CLAIM**

The ornamental design for a writing instrument, as shown and described.

DESCRIPTION

FIG. 1 is a front view showing our new design for a writing instrument, shown without the cap for convenience of illustration;

FIG. 2 is a side view of the writing instrument of FIG. 1, the opposite side view bring a mirror image thereof;

FIG. 3 is a rear view of the writing instrument of FIG. 1;

FIG. 4 is a bottom plan view of the writing instrument of FIG. 1;

FIG. 5 is a top plan view of the writing instrument of FIG. 1;

FIG. 6 is a perspective view of the writing instrument of FIG. 1;

FIG. 7 is a right side view of the writing instrument of FIG. 1 with the cap in closed condition;

FIG. 8 is a front view of the writing instrument of FIG. 7;

FIG. 9 is a left side view of the writing instrument of FIG. 7;

FIG. 10 is a rear view of the writing instrument of FIG. 7;

FIG. 11 is a top plan view of the writing instrument of FIG. 7;

FIG. 12 is a bottom plan view of the writing instrument of FIG. 7; and,

FIG. 13 is a perspective view of the writing instrument of FIG. 7.

1 Claim, 5 Drawing Sheets



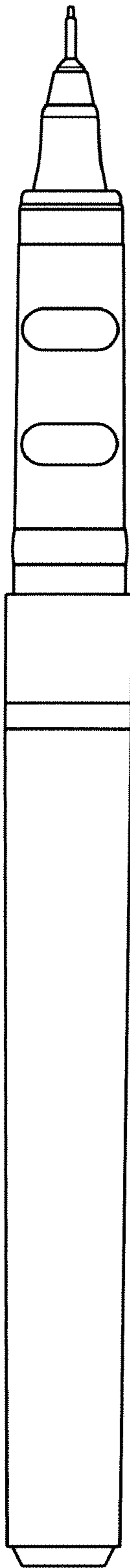


FIG. 1

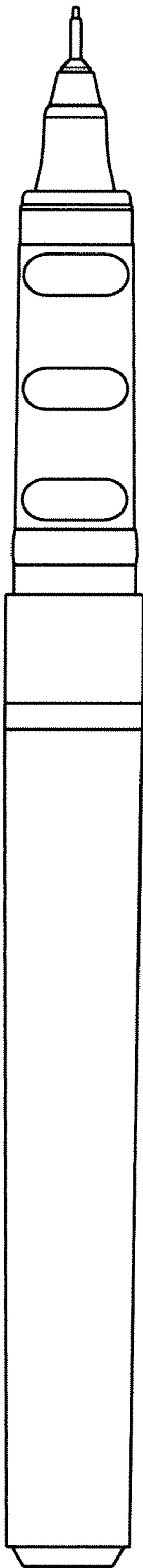


FIG. 2

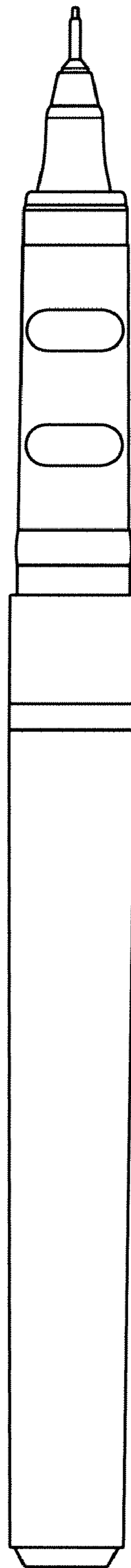


FIG. 3

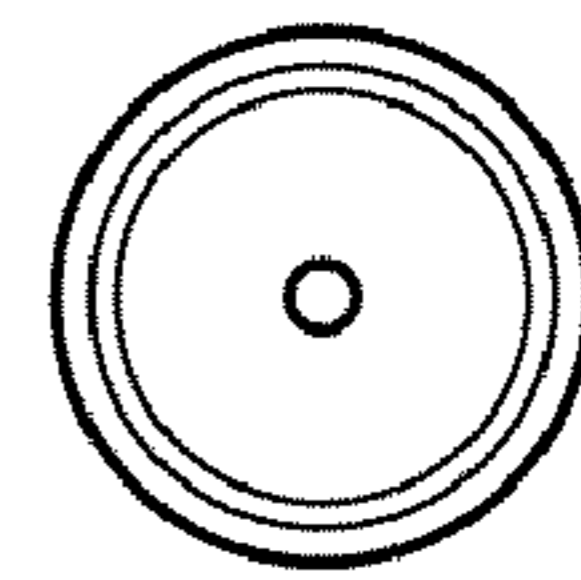


FIG. 4

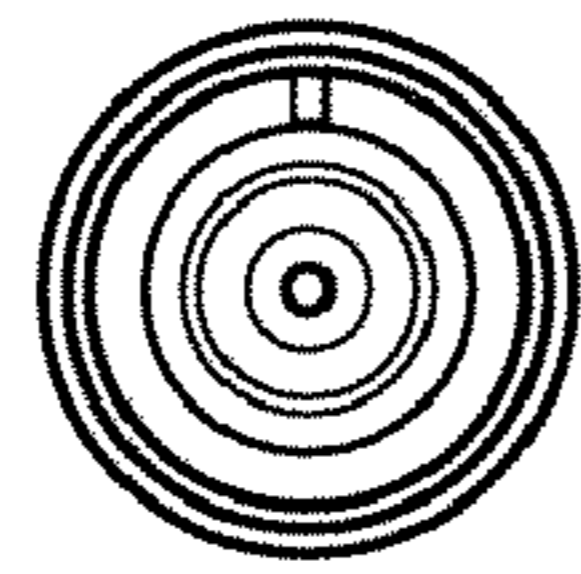


FIG. 5

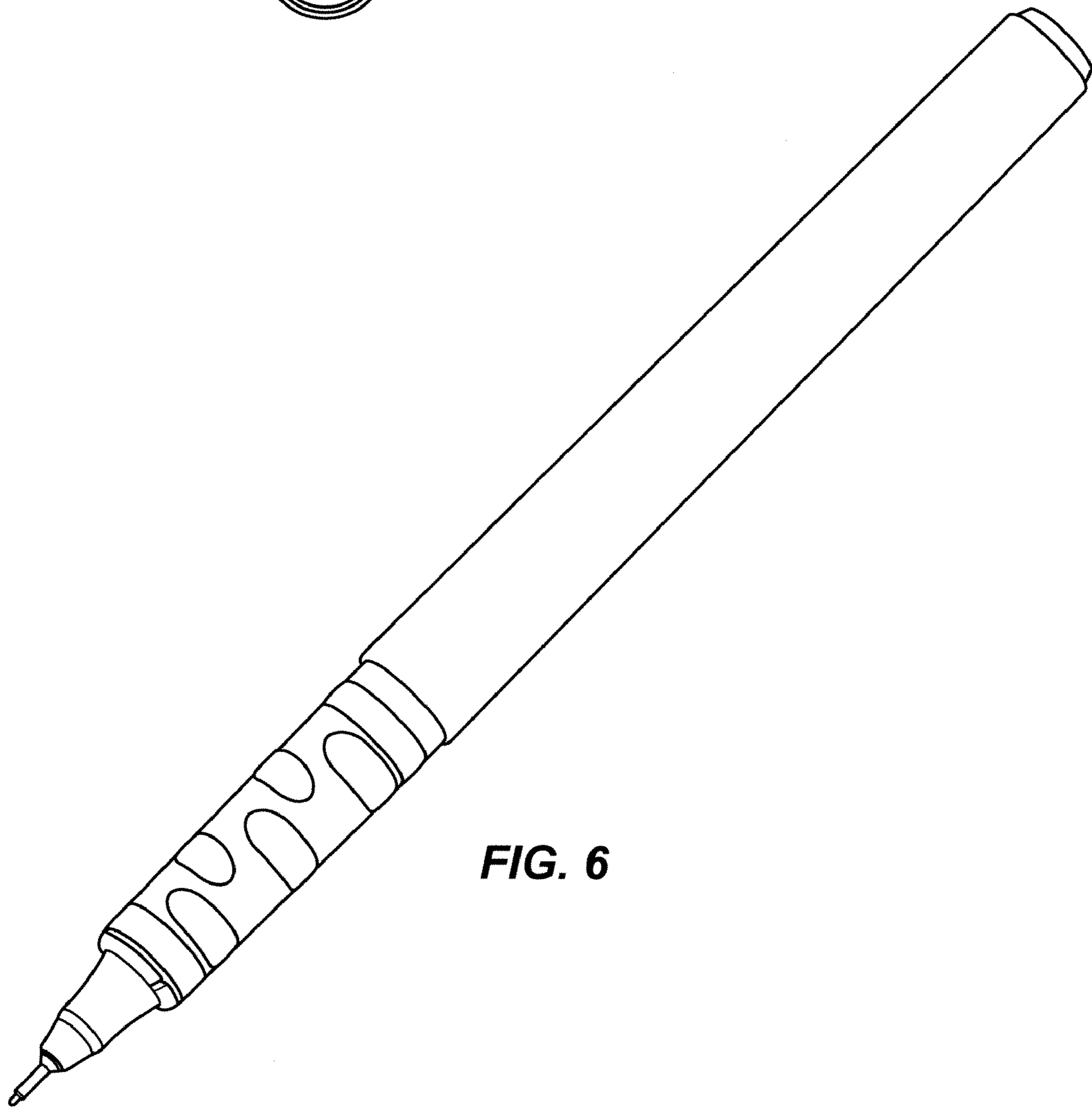


FIG. 6

FIG. 7

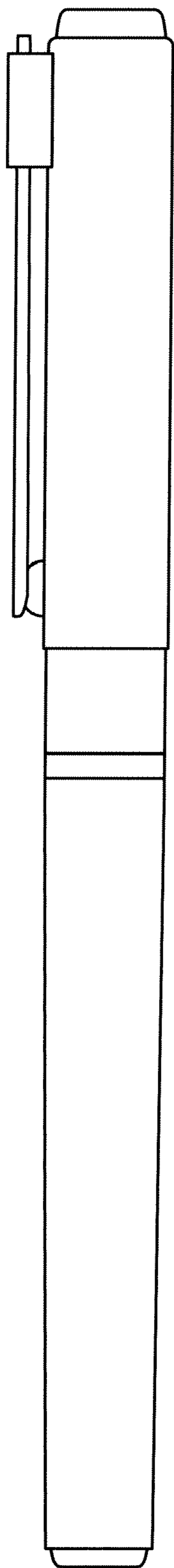


FIG. 8

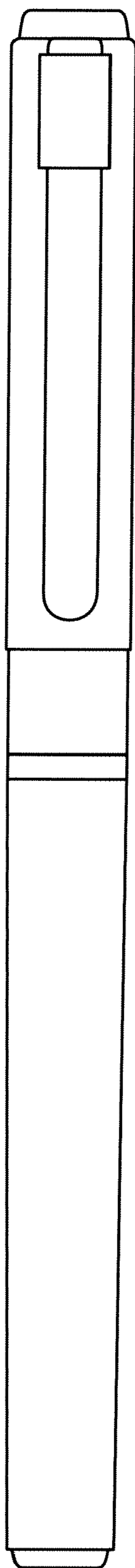


FIG. 9

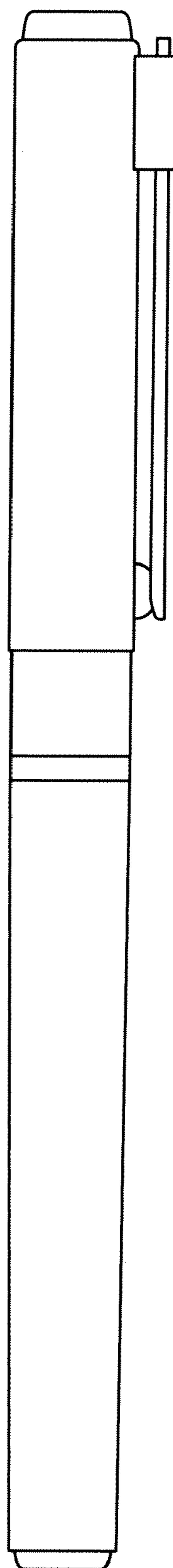


FIG. 10

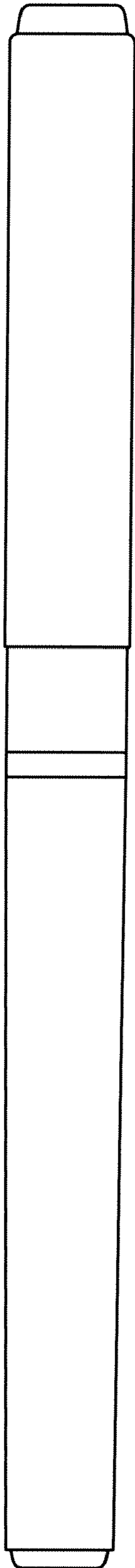


FIG. 11

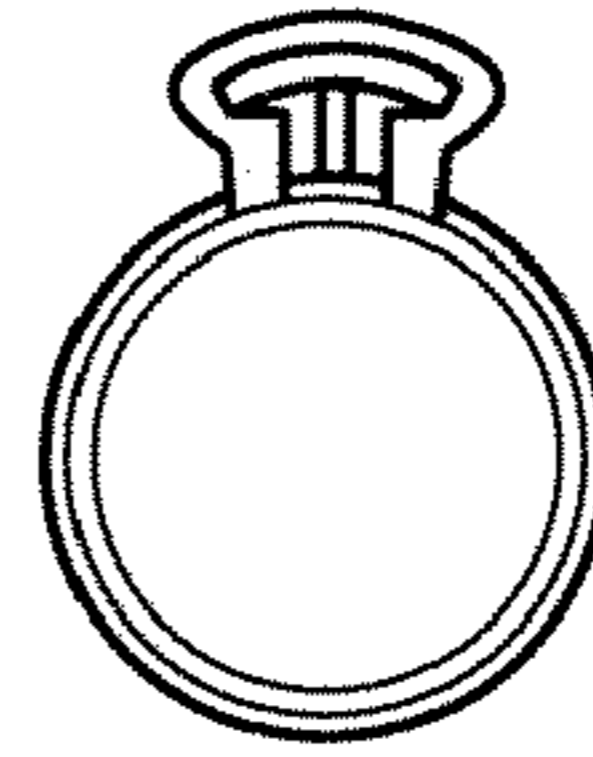
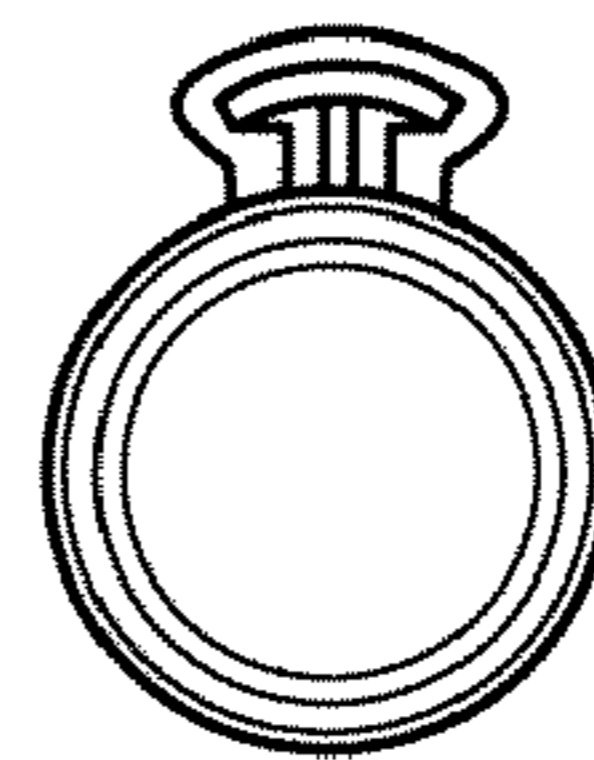


FIG. 12



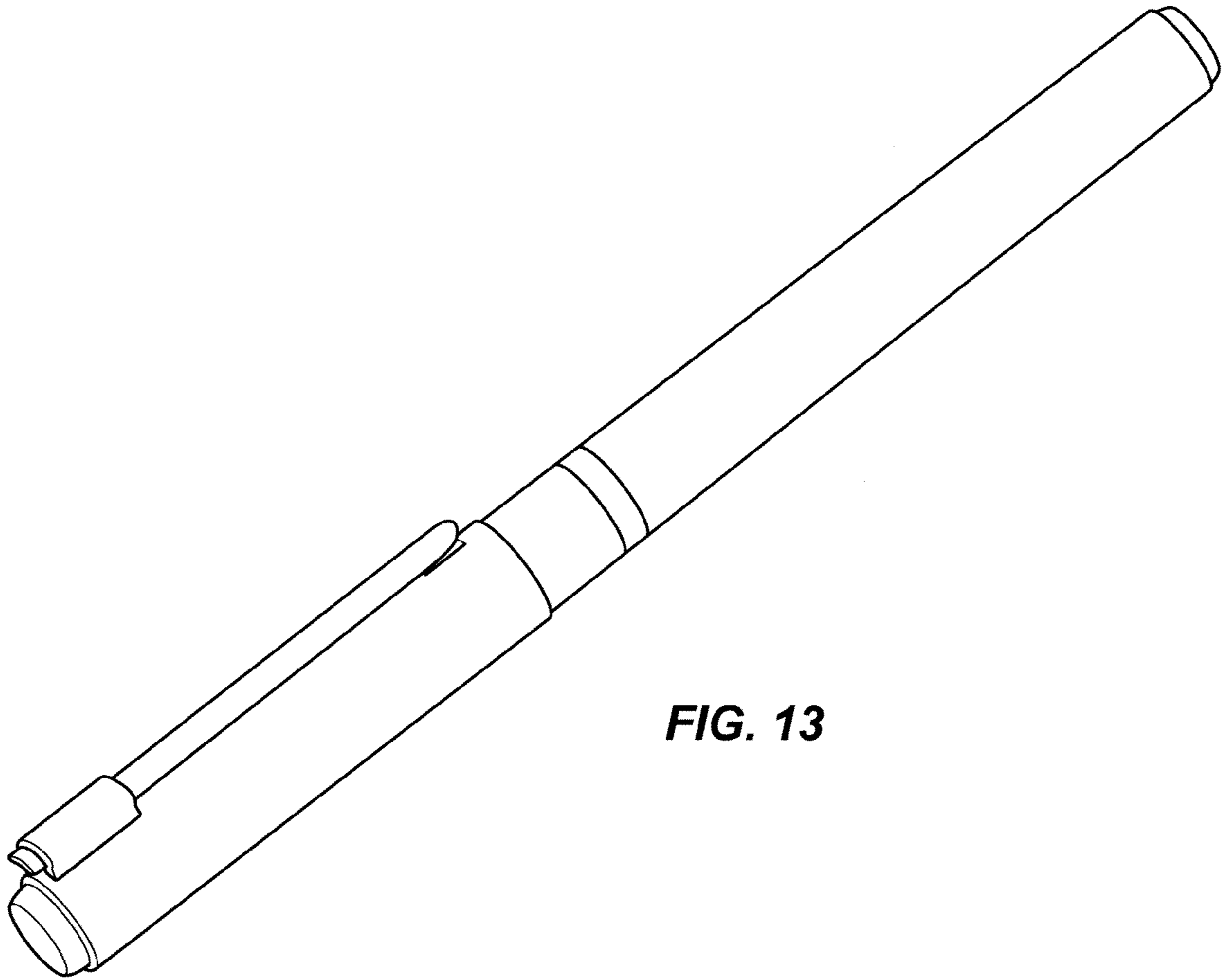


FIG. 13