



US00D591344S

(12) **United States Design Patent**  
**Tanaka et al.**

(10) **Patent No.:** **US D591,344 S**  
(45) **Date of Patent:** **\*\* Apr. 28, 2009**

(54) **BINDER**

(75) Inventors: **Kanji Tanaka**, Osaka (JP); **Hiroshi Arai**, Osaka (JP); **Hiroshi Nakano**, Osaka (JP)

(73) Assignee: **Lihit Lab, Inc.**, Osaka (JP)

(\*\*) Term: **14 Years**

(21) Appl. No.: **29/247,129**

(22) Filed: **Jun. 1, 2006**

(30) **Foreign Application Priority Data**

Dec. 2, 2005 (JP) ..... 2005-035608

(51) **LOC (9) Cl.** ..... **19-04**

(52) **U.S. Cl.** ..... **D19/32**

(58) **Field of Classification Search** ..... 402/60,  
402/3, 4, 26, 31, 41, 70, 73, 8 R; D19/26–28,  
D19/65, 32–33, 99–100; 281/15.1, 21.1,  
281/22, 27.1, 27.2, 27.3, 28, 45  
See application file for complete search history.

(56) **References Cited**

U.S. PATENT DOCUMENTS

D382,593 S \* 8/1997 To ..... D19/32

(Continued)

*Primary Examiner*—Elizabeth A Albert

*Assistant Examiner*—Kelley A Donnelly

(74) *Attorney, Agent, or Firm*—Keating & Bennett, LLP

(57) **CLAIM**

The ornamental design for a binder, as shown and described.

**DESCRIPTION**

FIG. 1 is a front perspective view of a binder according to a first embodiment of the present invention;

FIG. 2 is a rear perspective view thereof;

FIG. 3 is a front elevation view thereof;

FIG. 4 is a rear elevation view thereof;

FIG. 5 is a top plan view thereof;

FIG. 6 is a bottom plan view thereof;

FIG. 7 is a right side elevation view thereof;

FIG. 8 is a left side elevation view thereof;

FIG. 9 is an enlarged sectional view, taken along the line 9—9 in FIG. 4;

FIG. 10 is an enlarged fragmentary view, taken along line 10—10 in FIG. 4, showing only a portion thereof;

FIG. 11 is an enlarged sectional view, taken along the line 11—11 in FIG. 7;

FIG. 12 is a top plan view of a ring portion thereof, showing a state in which the ring is opened;

FIG. 13 is an enlarged front elevation view of a ring portion shown without the rest of the binder for convenience, showing the state in which the ring portion is closed;

FIG. 14 is an enlarged front elevation view of a ring portion shown without the rest of the binder for convenience, showing a state where the ring is opened;

FIG. 15 is a front perspective view of a second embodiment of FIG. 1;

FIG. 16 is a rear perspective view thereof;

FIG. 17 is a front elevation view thereof;

FIG. 18 is a rear elevation view thereof;

FIG. 19 is a top plan view thereof;

FIG. 20 is a bottom plan view thereof;

FIG. 21 is a right side elevation view thereof;

FIG. 22 is a left side elevation view thereof;

FIG. 23 is an enlarged sectional view, taken along the line 23—23 in FIG. 18;

FIG. 24 is an enlarged fragmentary view, taken along line 24—24 in FIG. 18, showing only a portion thereof;

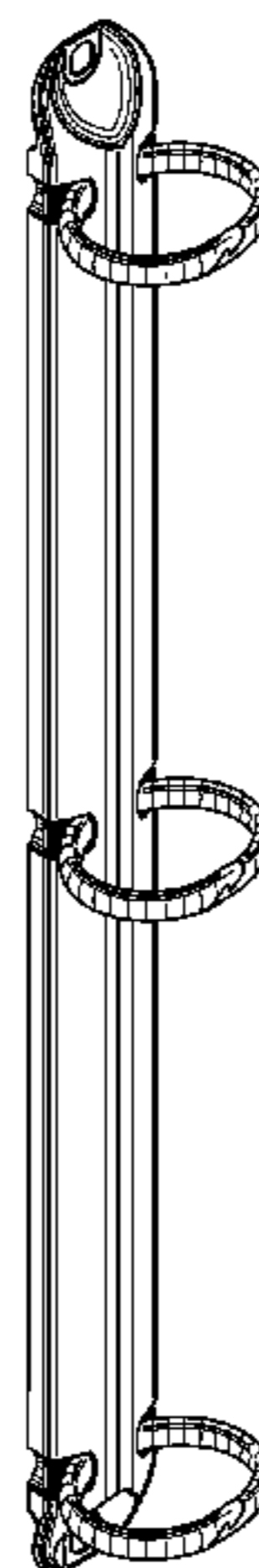
FIG. 25 is a top plan view of a ring portion thereof, showing a state in which the ring is opened;

FIG. 26 is an enlarged front elevation view of a ring portion shown without the rest of the binder for convenience, showing a state in which the ring is closed;

FIG. 27 is an enlarged front elevation view of a ring portion shown without the rest of the binder for convenience, showing a state in which the ring is opened; and,

FIG. 28 is a reference view thereof, showing a state in which the binder is used.

**1 Claim, 15 Drawing Sheets**



# US D591,344 S

Page 2

---

## U.S. PATENT DOCUMENTS

D392,673 S *	3/1998	Whaley	.....	D19/32	6,328,497 B1 *	12/2001	To	.....	402/26
D405,113 S *	2/1999	Ko	.....	D19/32	D459,392 S *	6/2002	Xu	.....	D19/32
D409,240 S *	5/1999	Ko	.....	D19/32	D468,351 S *	1/2003	To	.....	D19/32
5,975,785 A *	11/1999	Chan	.....	402/36	D544,033 S *	6/2007	Chen	.....	D19/32
D424,106 S *	5/2000	Ko	.....	D19/32	7,241,067 B2 *	7/2007	Cheng	.....	402/38
D433,445 S *	11/2000	To	.....	D19/32	2003/0026643 A1 *	2/2003	To	.....	402/60

\* cited by examiner

Fig. 1

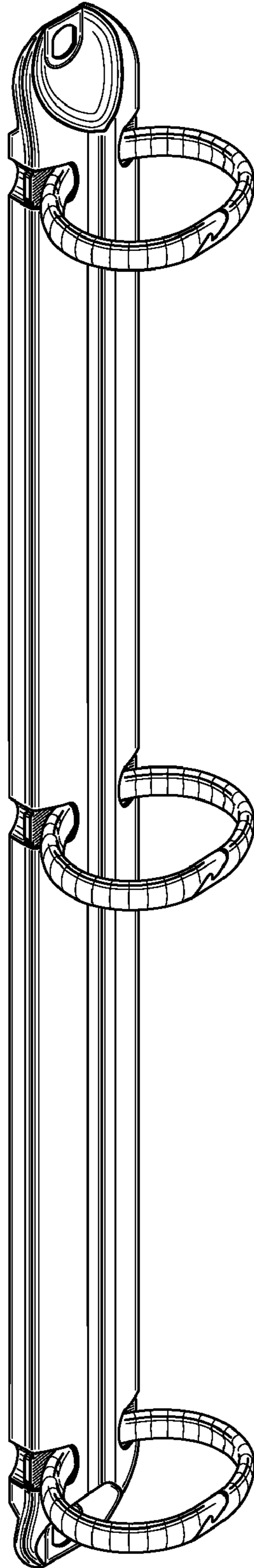


Fig. 2

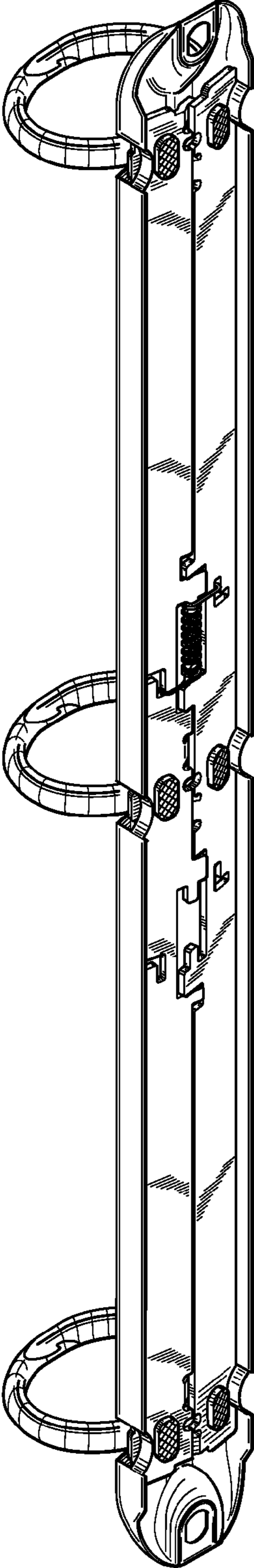


Fig. 3

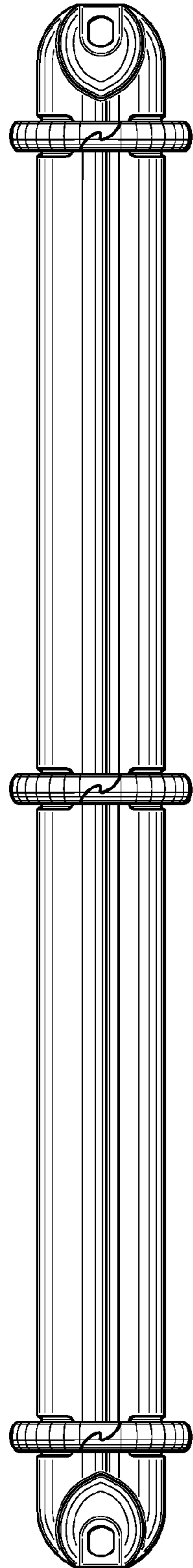


Fig. 4

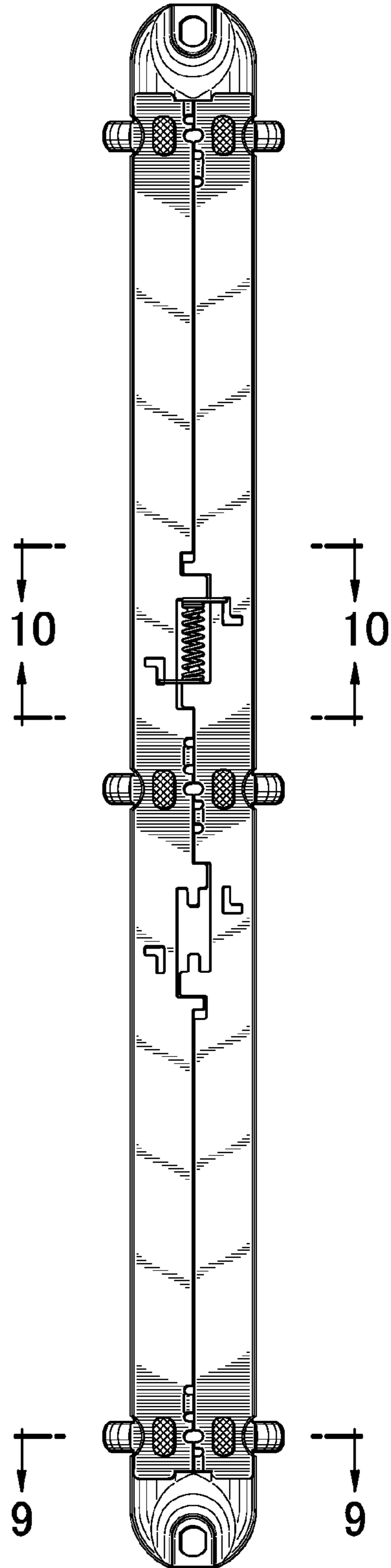


Fig. 5

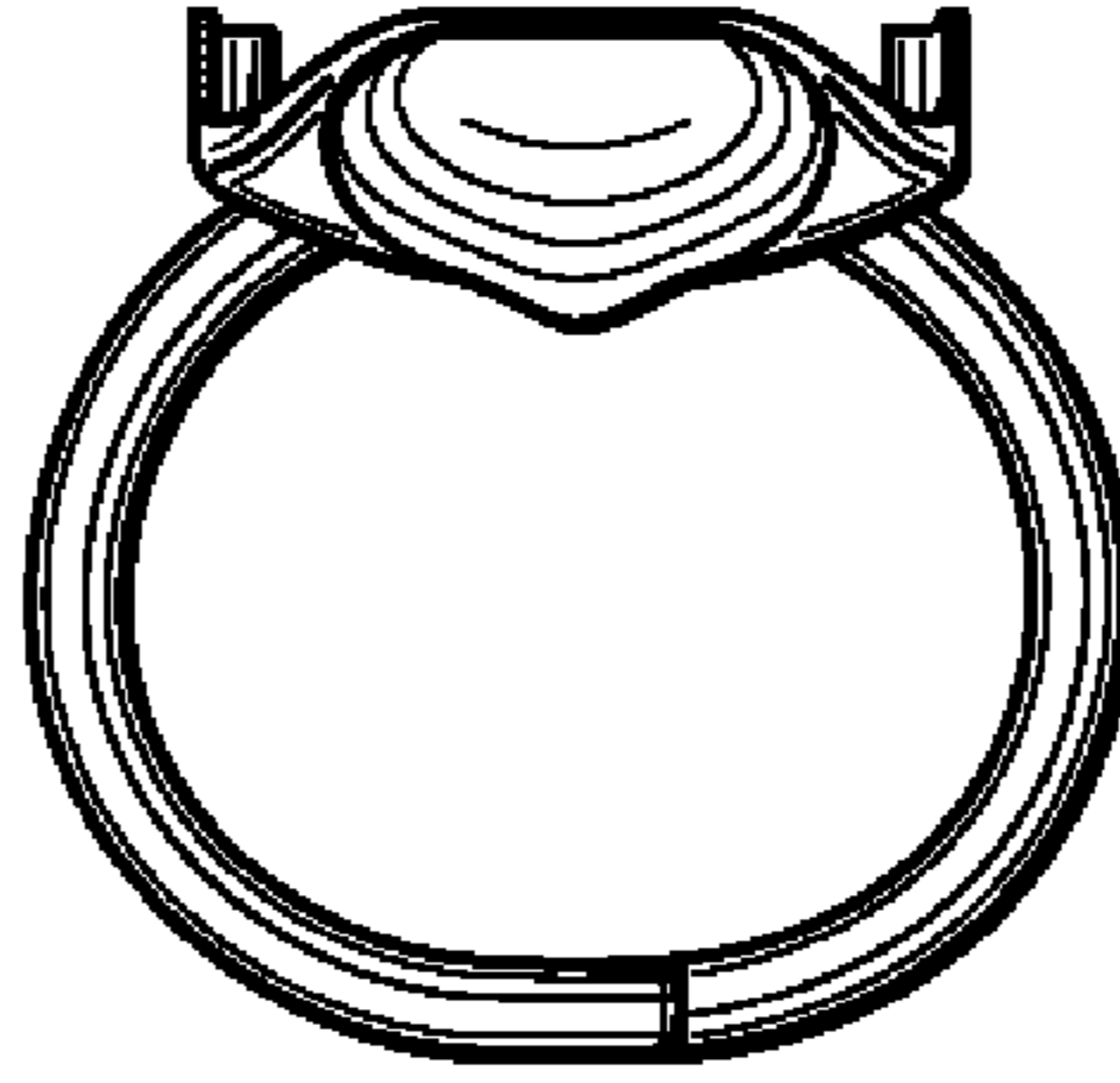


Fig. 6

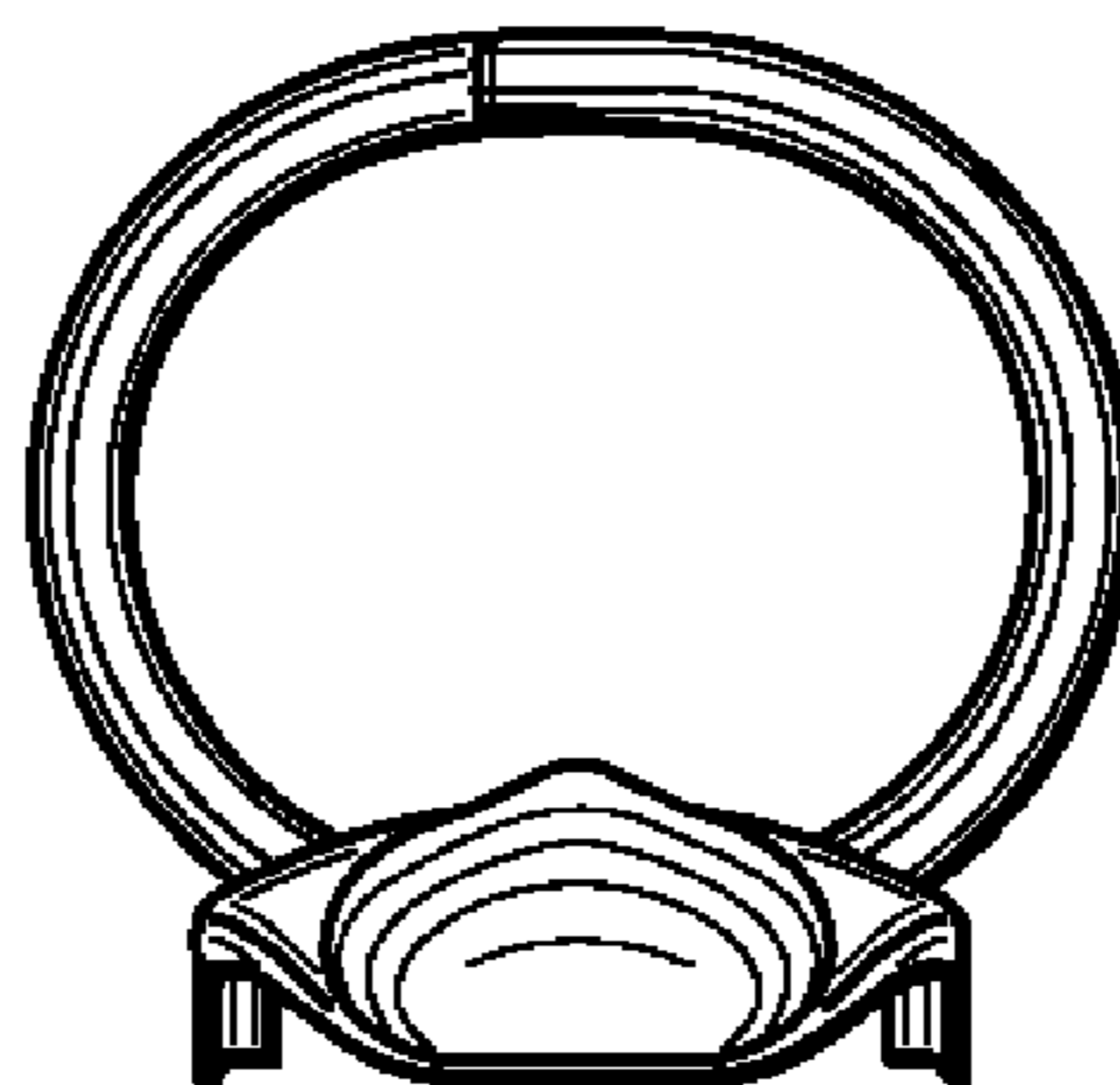


Fig. 7

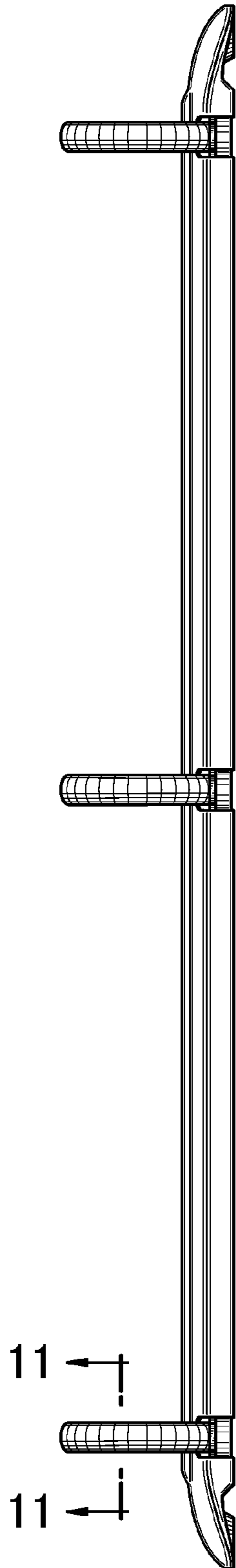


Fig. 8

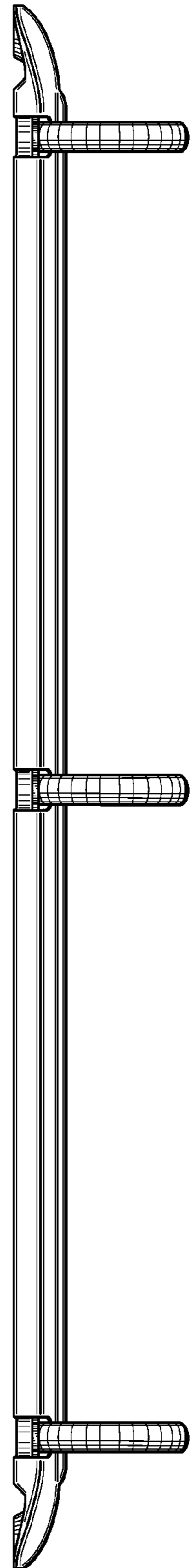


Fig. 9

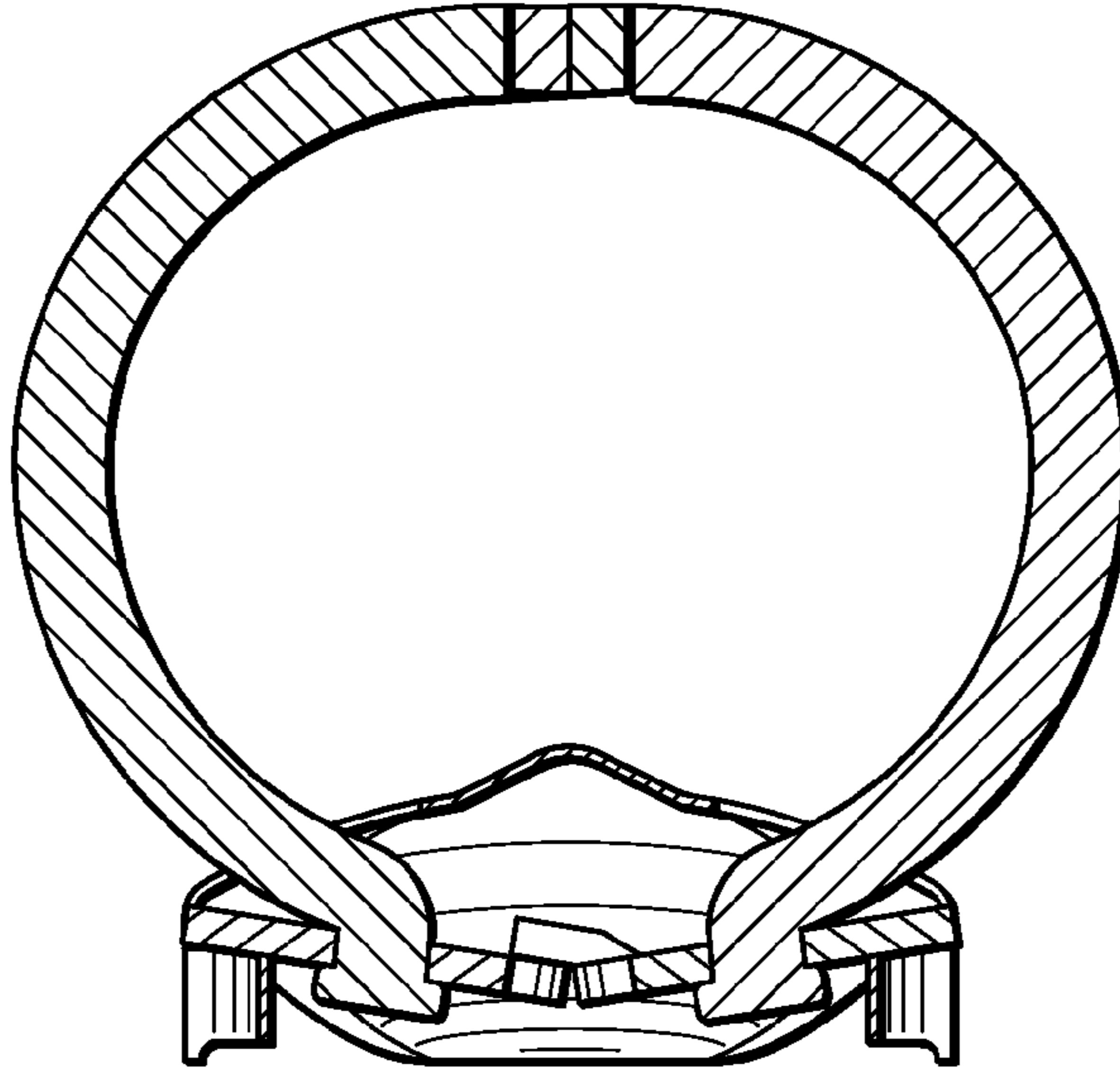


Fig. 10

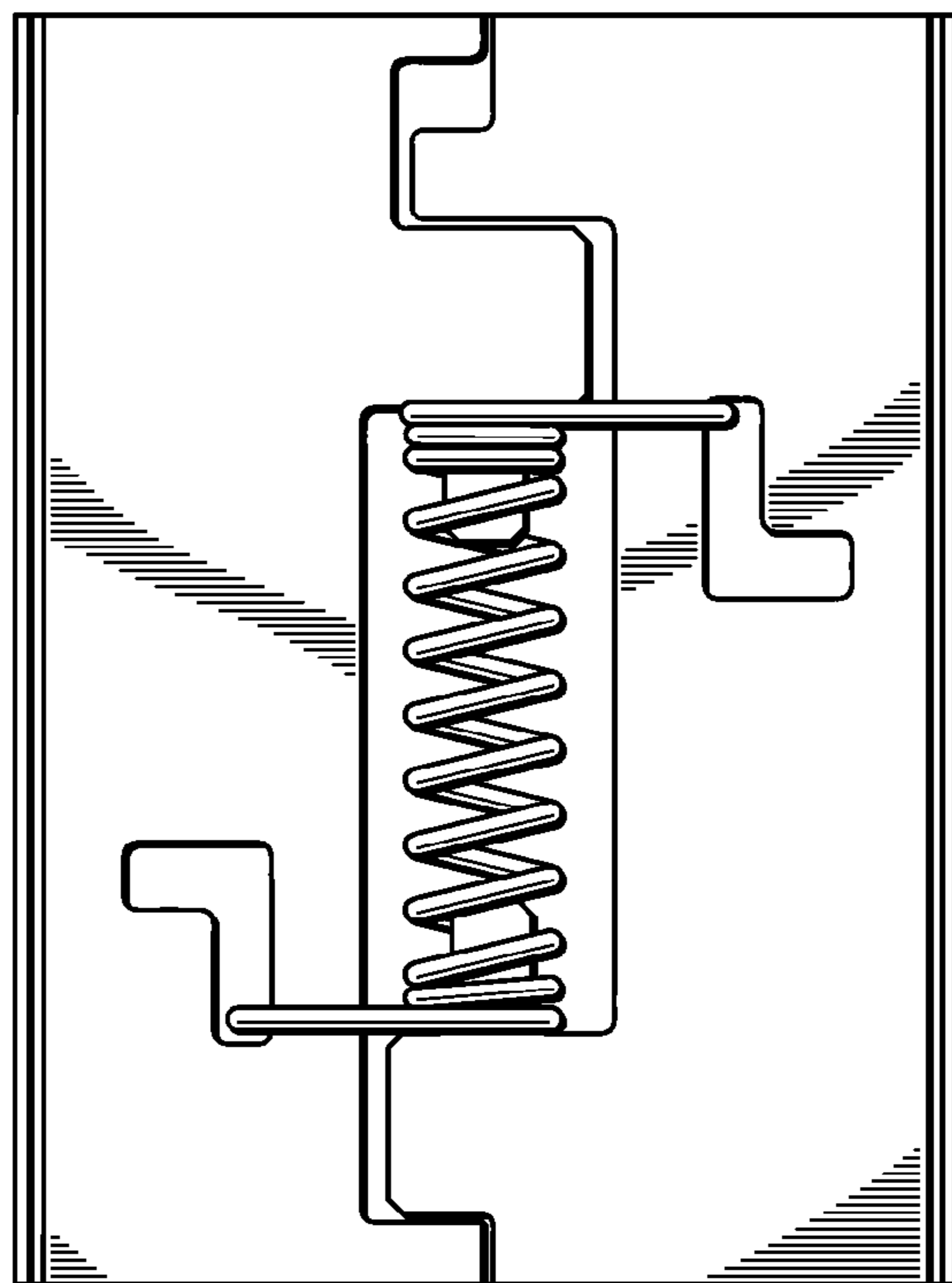




Fig. 11



Fig. 12

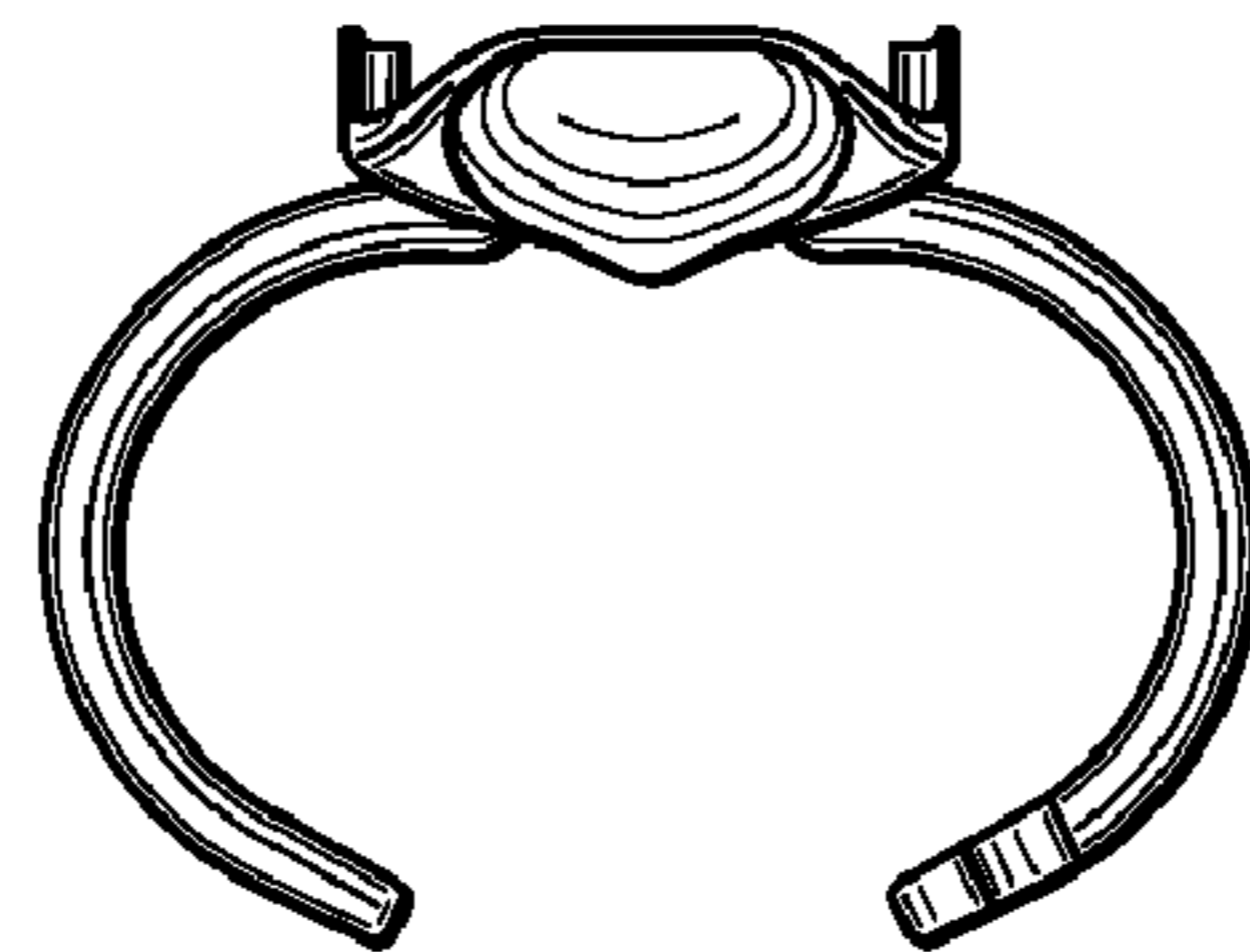


Fig. 13



Fig. 14

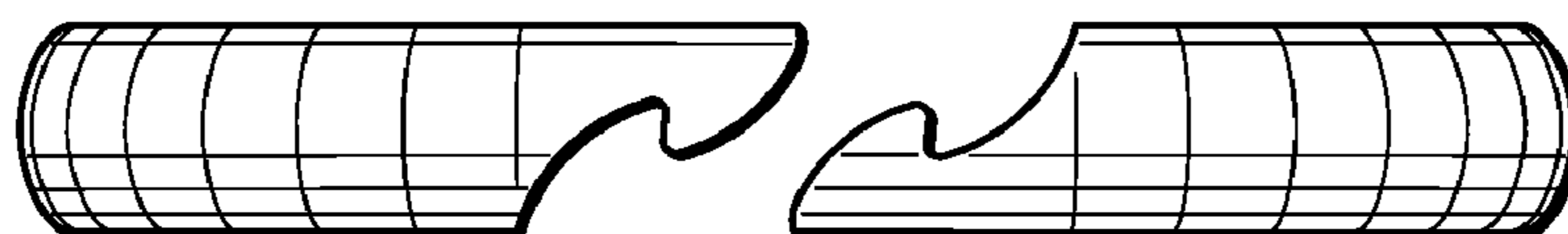


Fig. 15

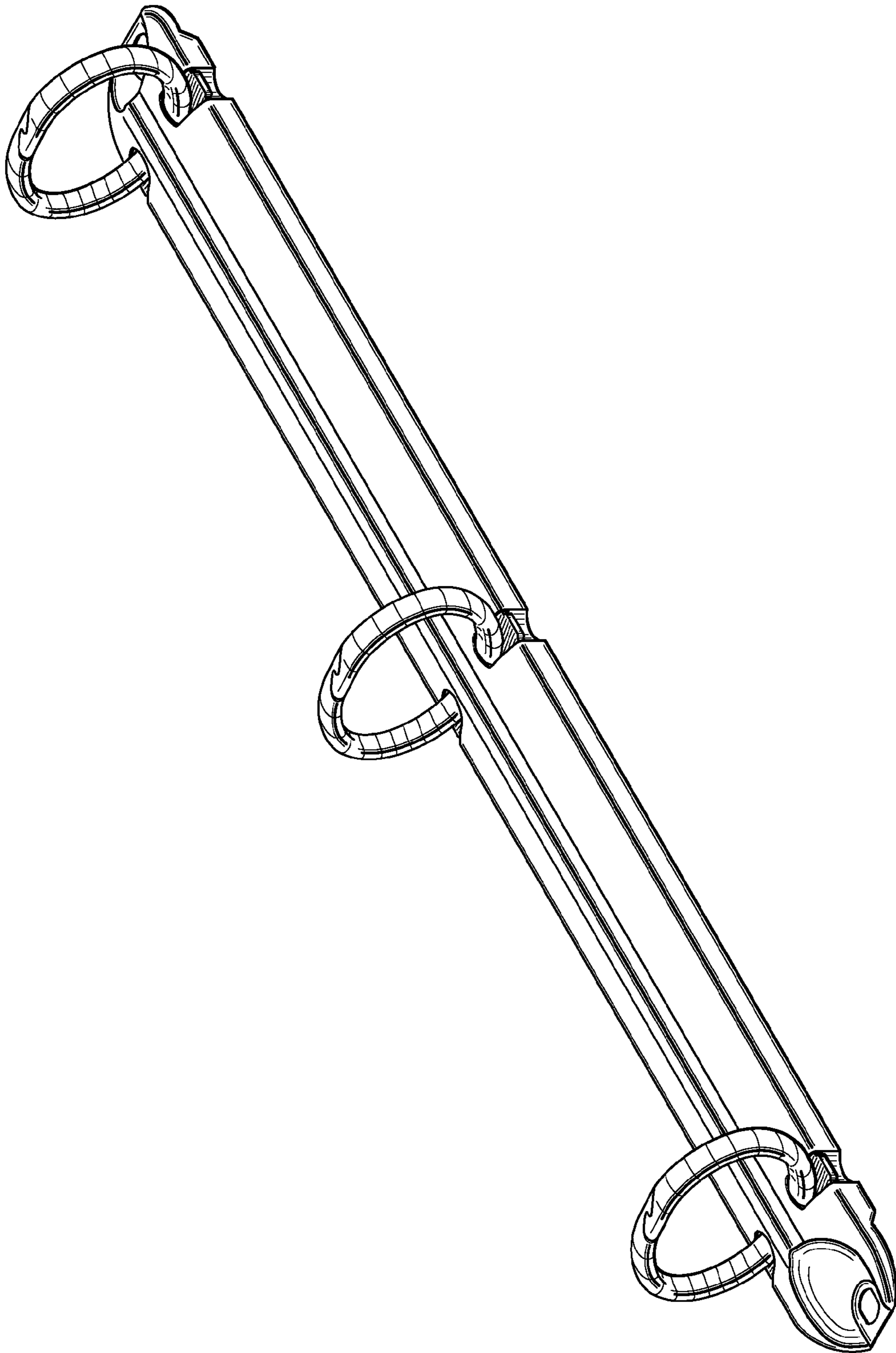


Fig. 16

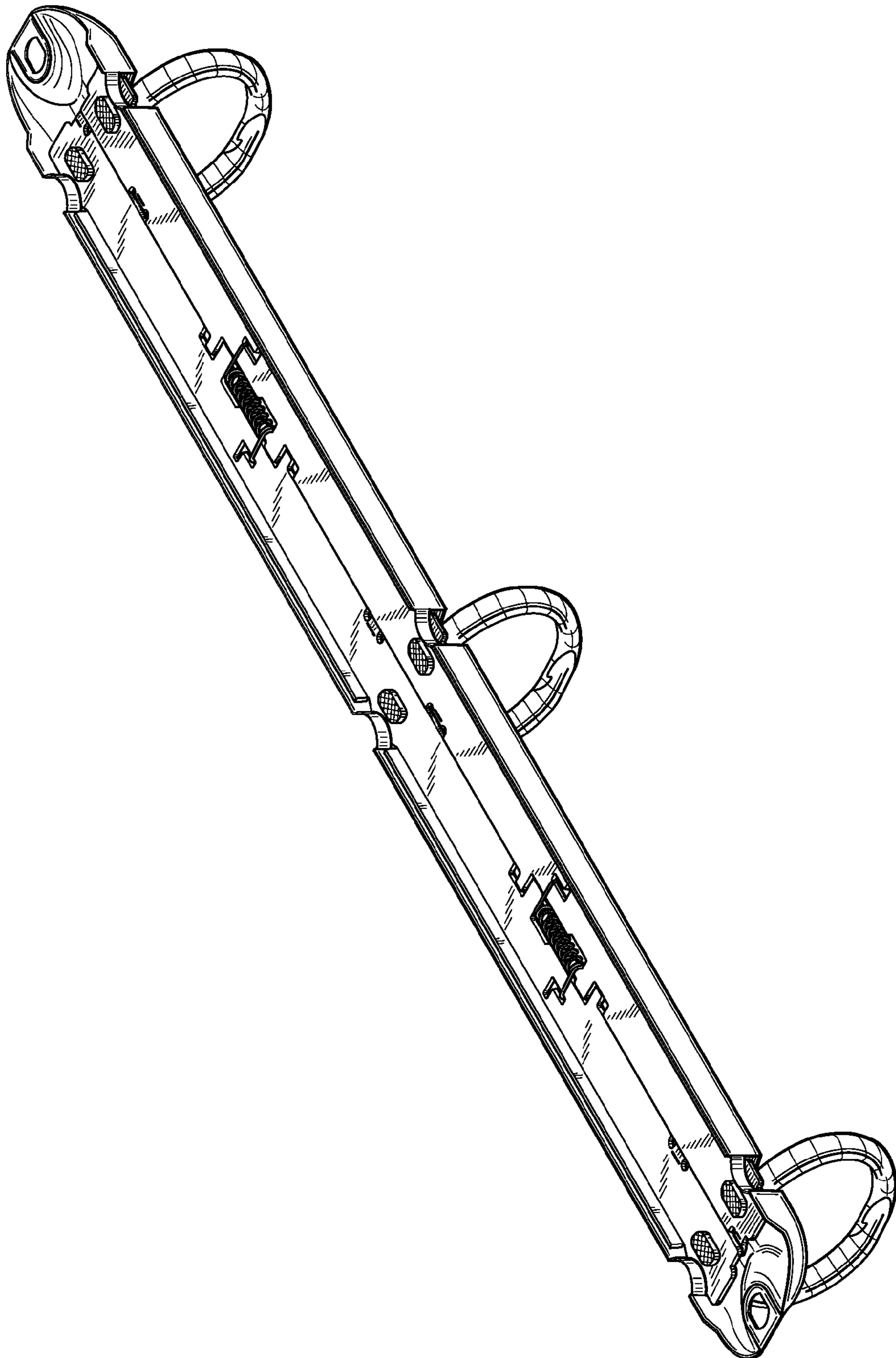


Fig. 17

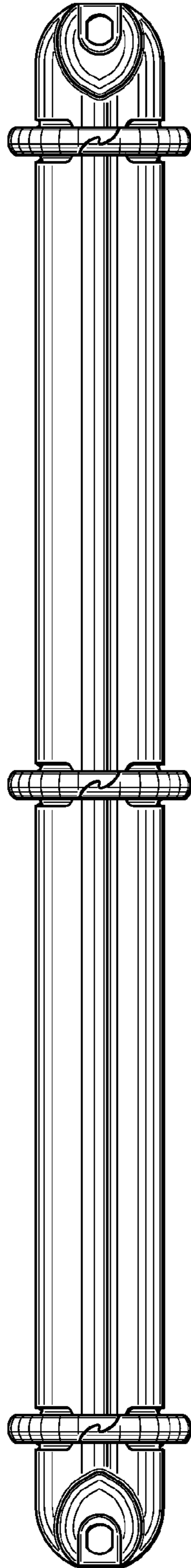


Fig. 18

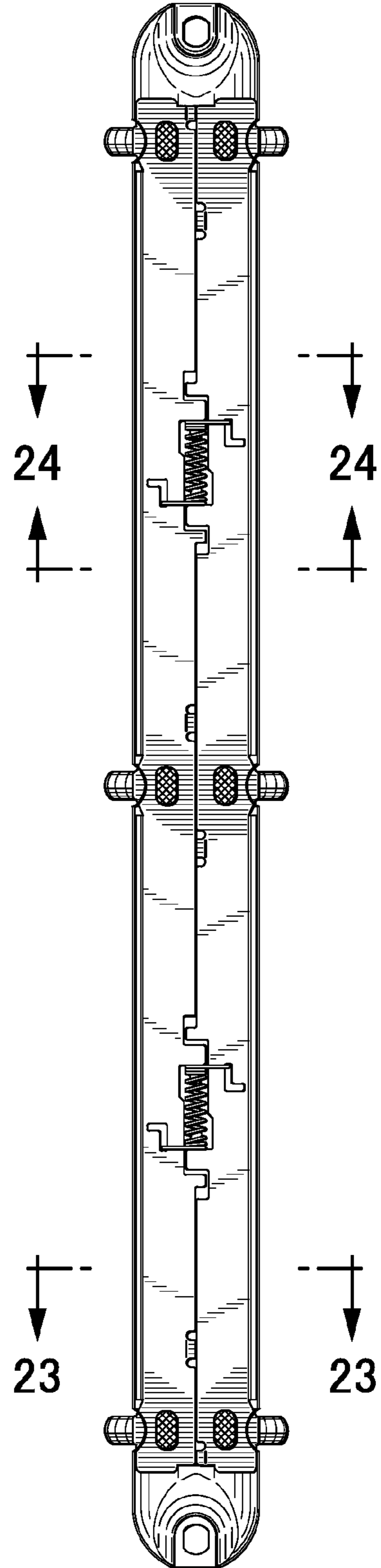


Fig. 19

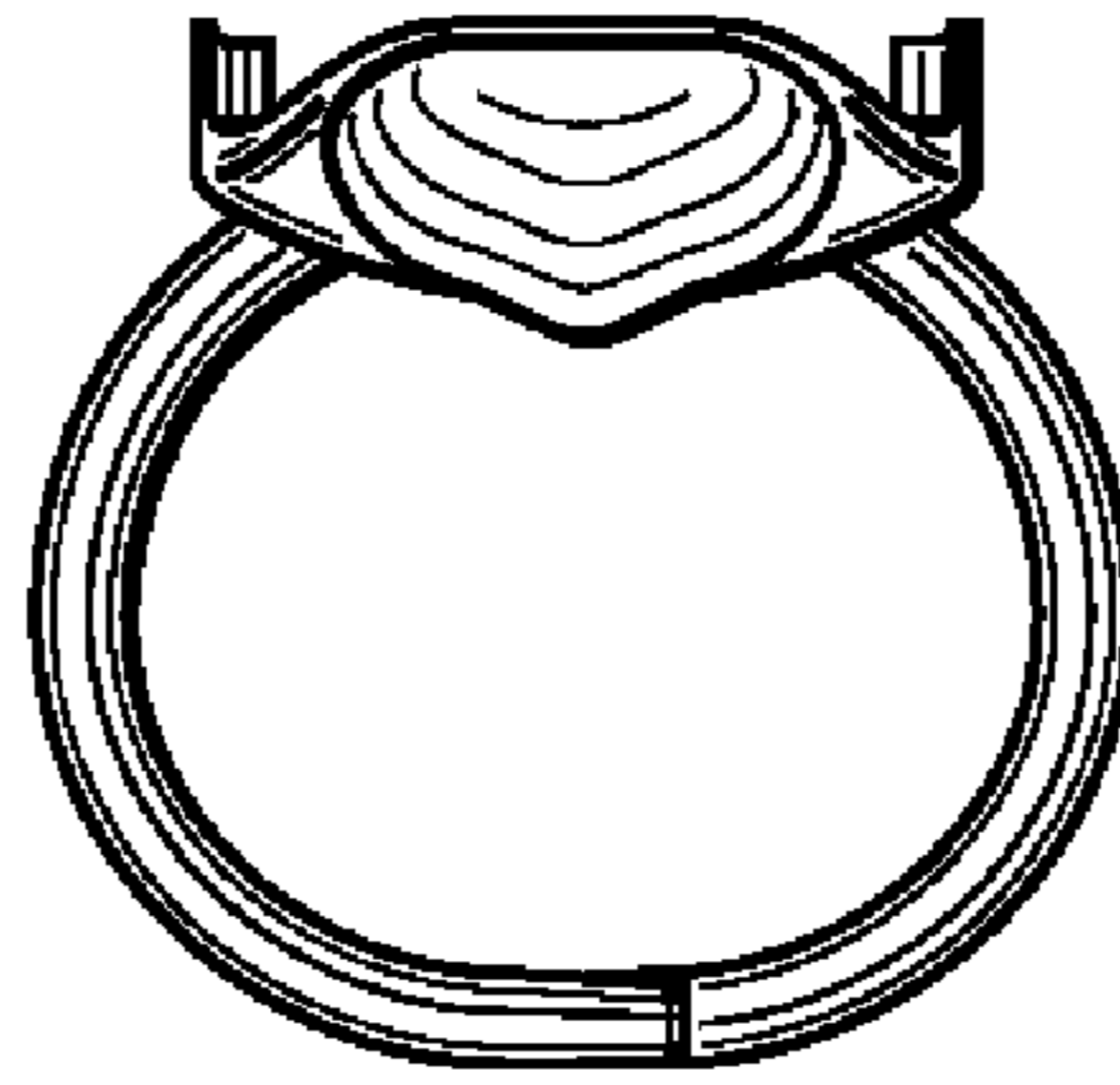


Fig. 20

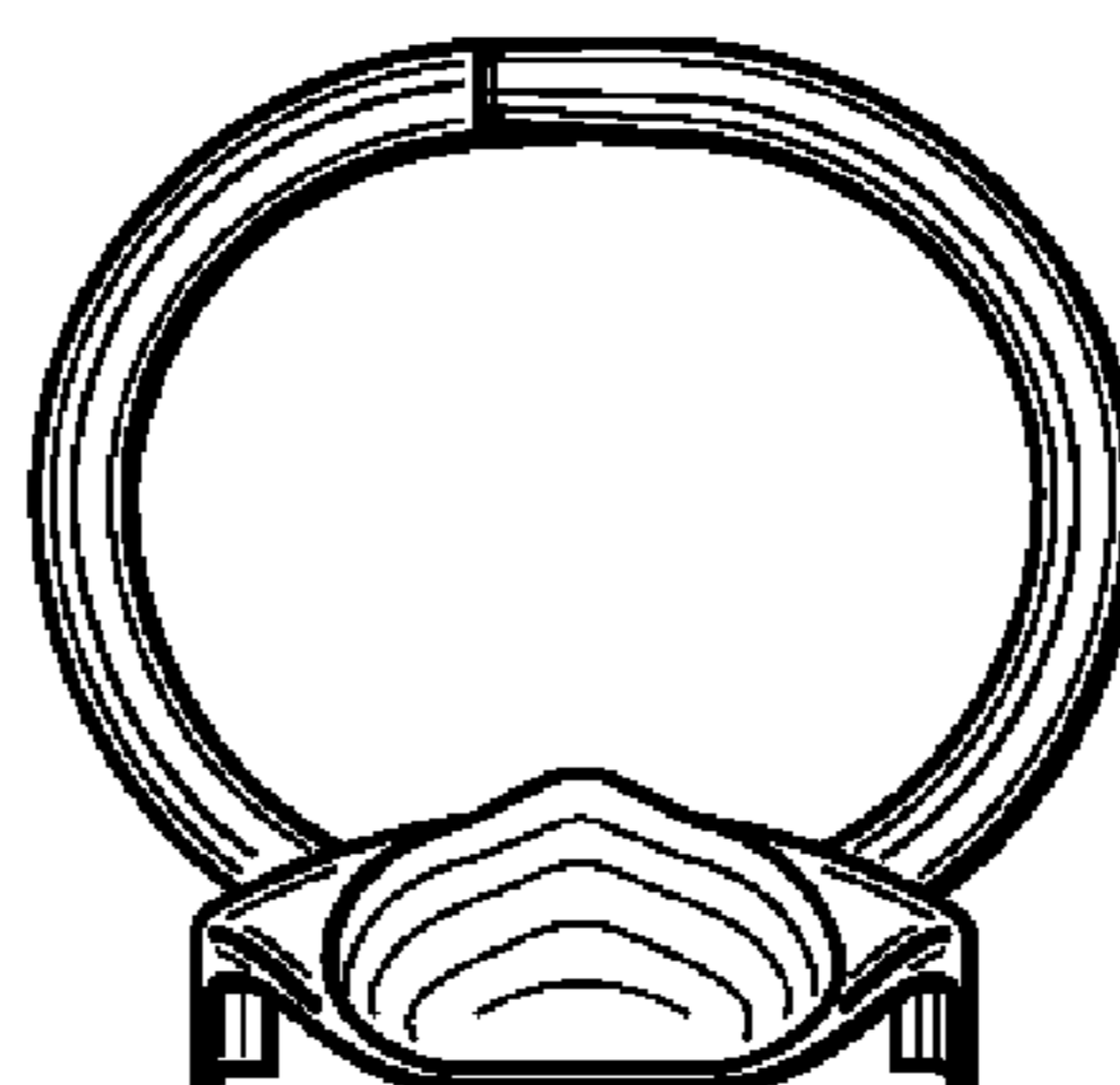


Fig. 21

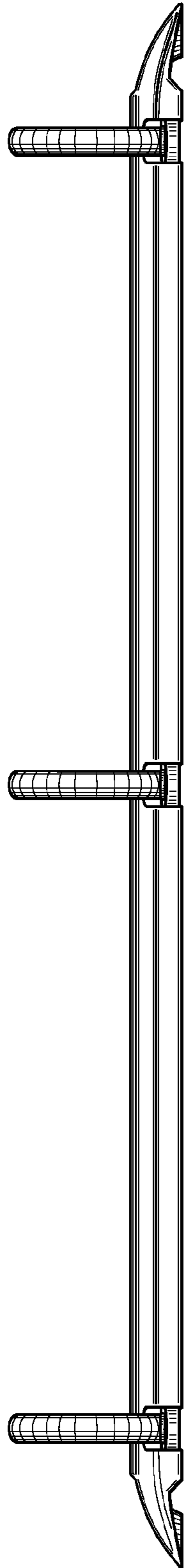


Fig. 22

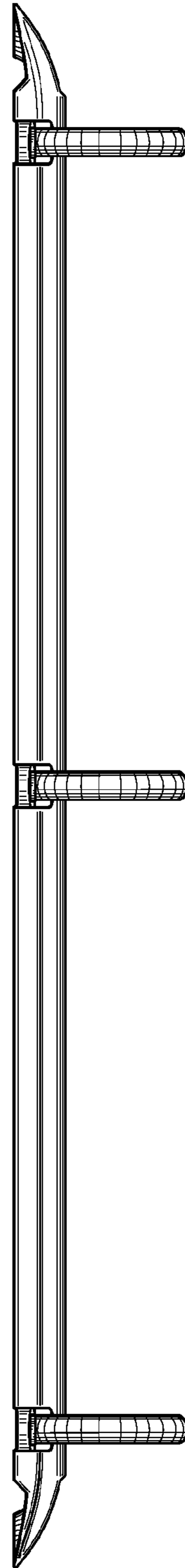


Fig. 23

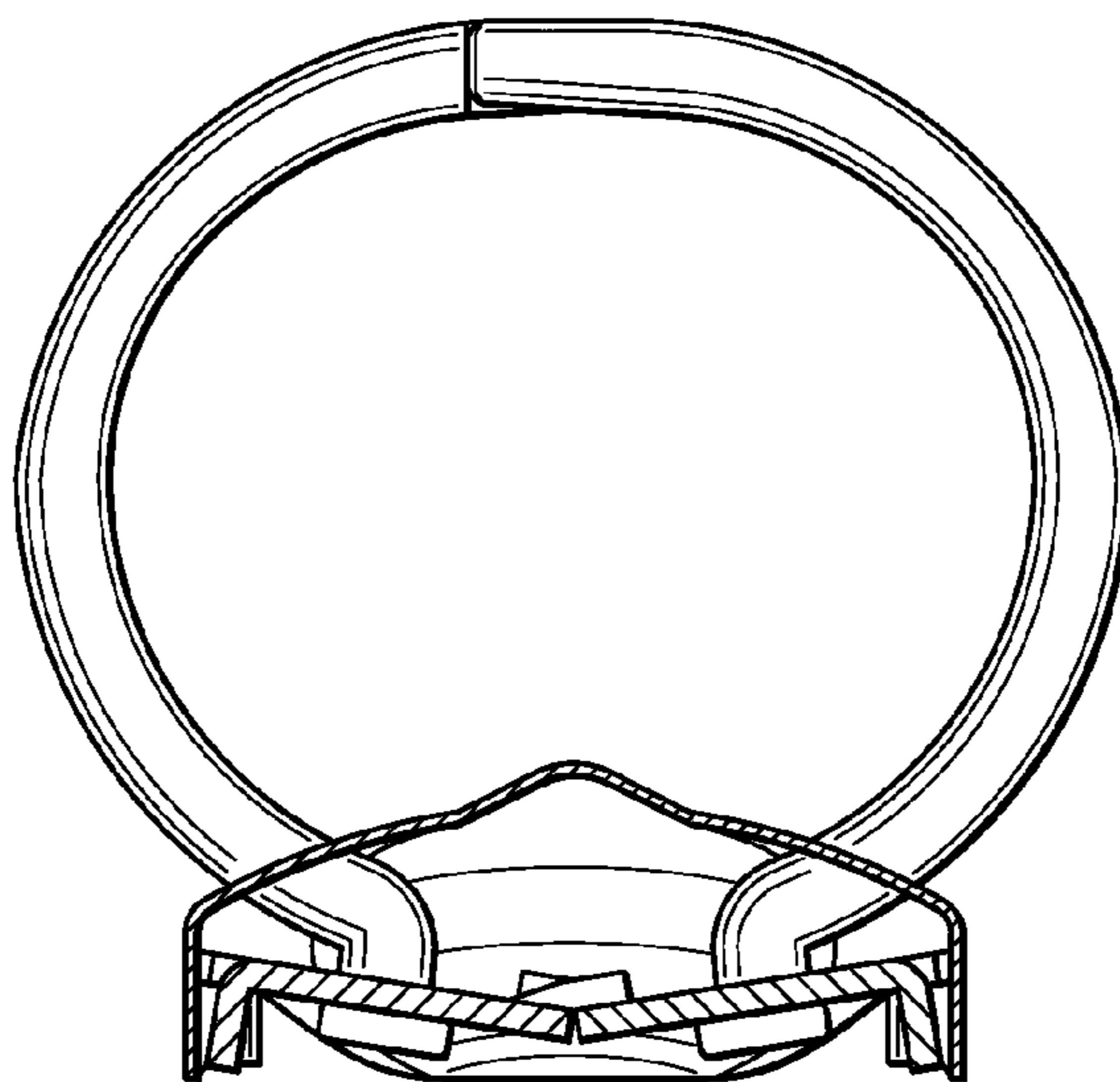


Fig. 24

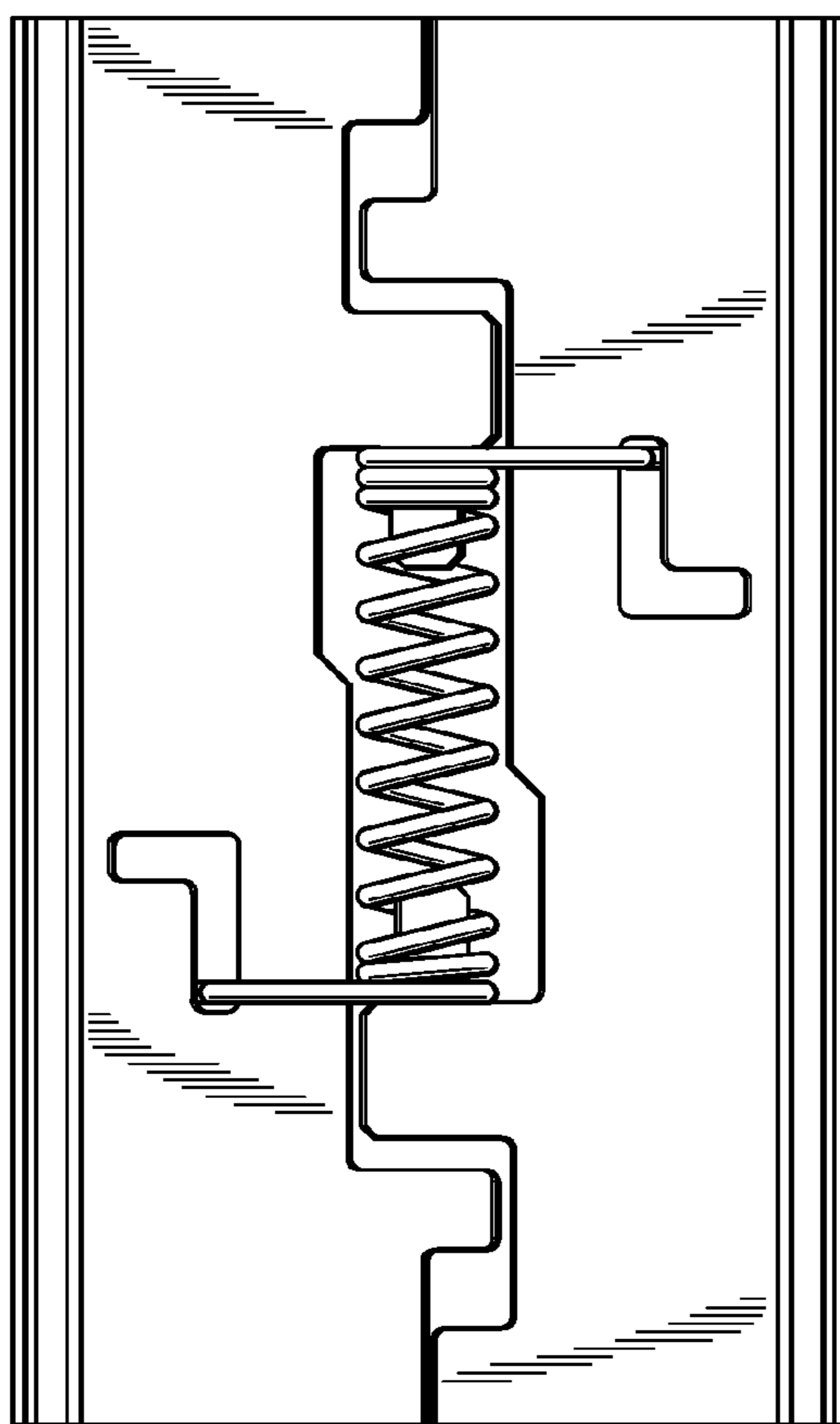


Fig. 25

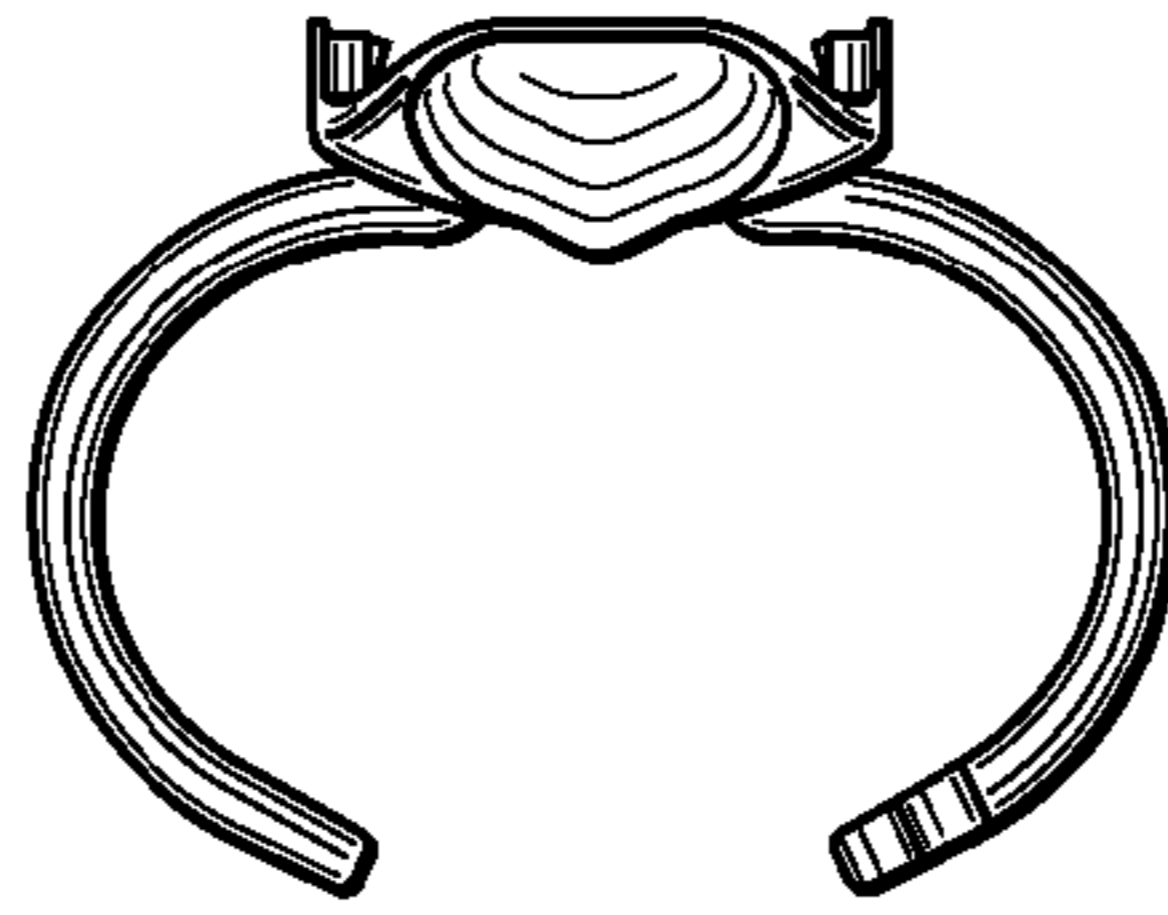


Fig. 26



Fig. 27





Fig. 28

